



US00D916024S

(12) **United States Design Patent**
You

(10) **Patent No.:** **US D916,024 S**

(45) **Date of Patent:** **** Apr. 13, 2021**

(54) **CONNECTOR FOR LAMP**

(71) Applicant: **Ningbo Bethlehem electrical appliances co., Ltd., Ningbo (CN)**

(72) Inventor: **Quanqiang You, Ningbo (CN)**

(**) Term: **15 Years**

(21) Appl. No.: **29/688,397**

(22) Filed: **Apr. 22, 2019**

(51) **LOC (13) Cl.** **13-03**

(52) **U.S. Cl.**
USPC **D13/134**

(58) **Field of Classification Search**

USPC D26/1, 2, 24, 60, 61, 63-66, 72, 75, 80,
D26/81, 83, 85, 87, 88, 92, 113, 118,
D26/119, 138, 142, 145; D13/107, 118,
D13/123, 133-135, 146, 147, 149, 151,
D13/153, 154, 173, 183, 184, 199
CPC F21V 19/00; F21V 21/00; F21V 23/00;
F21V 23/06; H01R 24/00; H01R 24/54;
H01R 33/00

See application file for complete search history.

(56) **References Cited**

U.S. PATENT DOCUMENTS

4,568,826	A *	2/1986	Pitel	F21V 23/00 250/237 R
5,150,008	A *	9/1992	Lee	H01K 1/42 313/318.07
5,208,516	A *	5/1993	Saidian	H05B 39/085 315/362
D367,260	S *	2/1996	Yarmark	D13/134
D382,074	S *	8/1997	Yan	D26/2
6,010,355	A *	1/2000	Yang	H01R 13/5829 439/457
D602,868	S *	10/2009	Vogt	D13/134
D625,847	S *	10/2010	Maglica	D26/1
D685,507	S *	7/2013	Sun	D26/2
9,500,320	B1 *	11/2016	Green	F21S 8/026

10,584,861	B2 *	3/2020	Farley	F21K 9/238
D890,100	S *	7/2020	Yu	D13/134
2003/0139092	A1 *	7/2003	Wu	F21V 23/06 439/551
2006/0083880	A1 *	4/2006	Hirose	G02B 7/02 428/36.9
2020/0088394	A1 *	3/2020	Li	H01R 33/7621

OTHER PUBLICATIONS

Westinghouse Bakelite Push Socket, dated Jul. 29, 2007, [online], [site visited Dec. 16, 2020], Available from Internet, URL: <https://www.amazon.com/Westinghouse-Bakelite-Push-Socket/dp/B000UGLDG4> (Year: 2007).*

* cited by examiner

Primary Examiner — Angela J Lee
Assistant Examiner — Shawn T Gingrich
(74) *Attorney, Agent, or Firm* — W&K IP

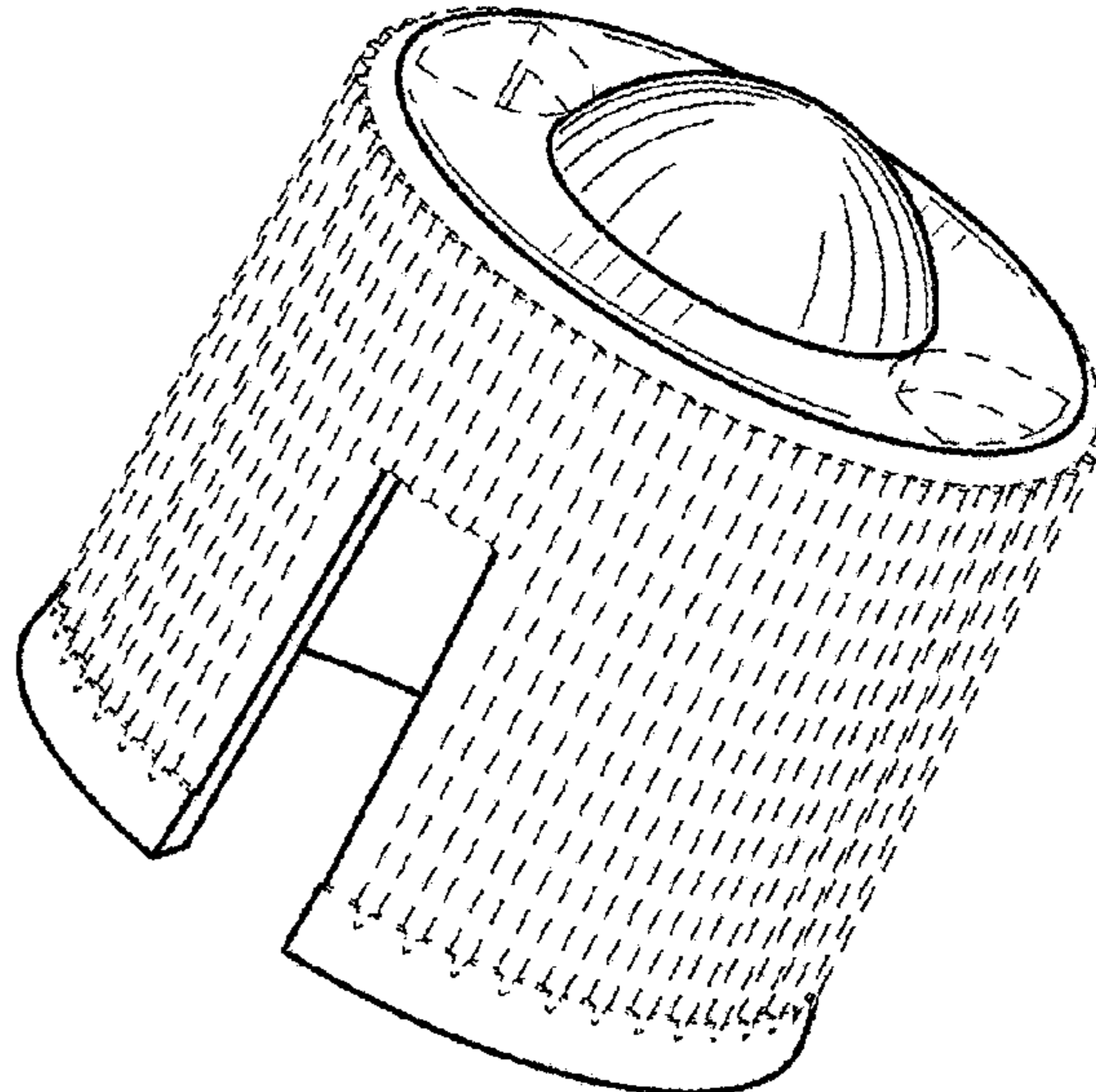
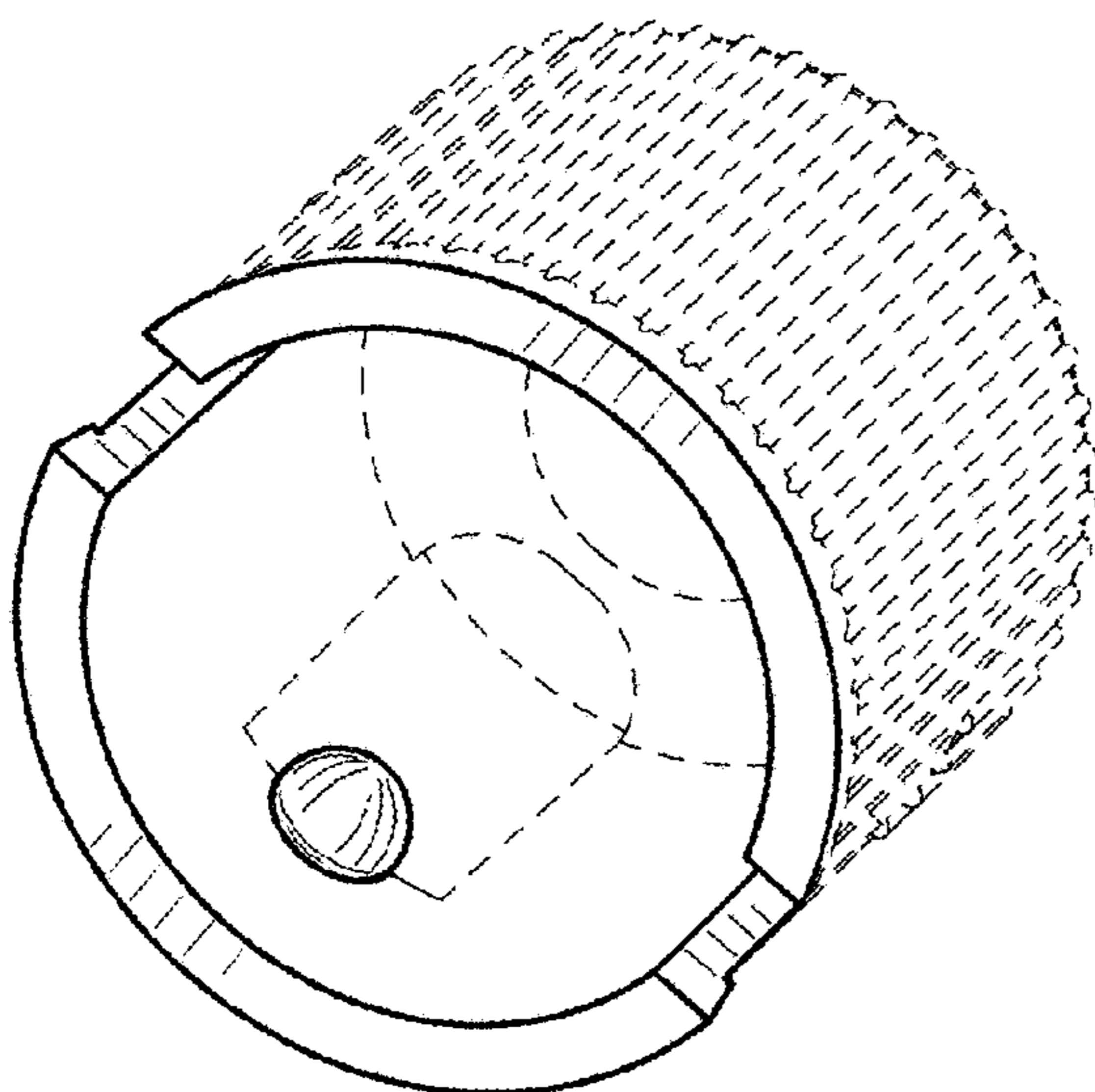
(57) **CLAIM**

The ornamental design for a connector for lamp, as shown and described.

DESCRIPTION

FIG. 1 is a perspective view of a connector for lamp, showing my new design.
FIG. 2 is a front elevational view thereof;
FIG. 3 is a rear elevational view thereof;
FIG. 4 is a left elevational view thereof;
FIG. 5 is a right elevational view thereof;
FIG. 6 is a top plan view thereof;
FIG. 7 is a bottom plan view thereof;
FIG. 8 is another perspective view thereof;
FIG. 9 shows the article in a position of use; and,
FIG. 10 shows the article in another position of use.
The even-broken line in the figure drawing views represents environment or portions of the connector for lamp that forms no part of the claimed design.

1 Claim, 10 Drawing Sheets



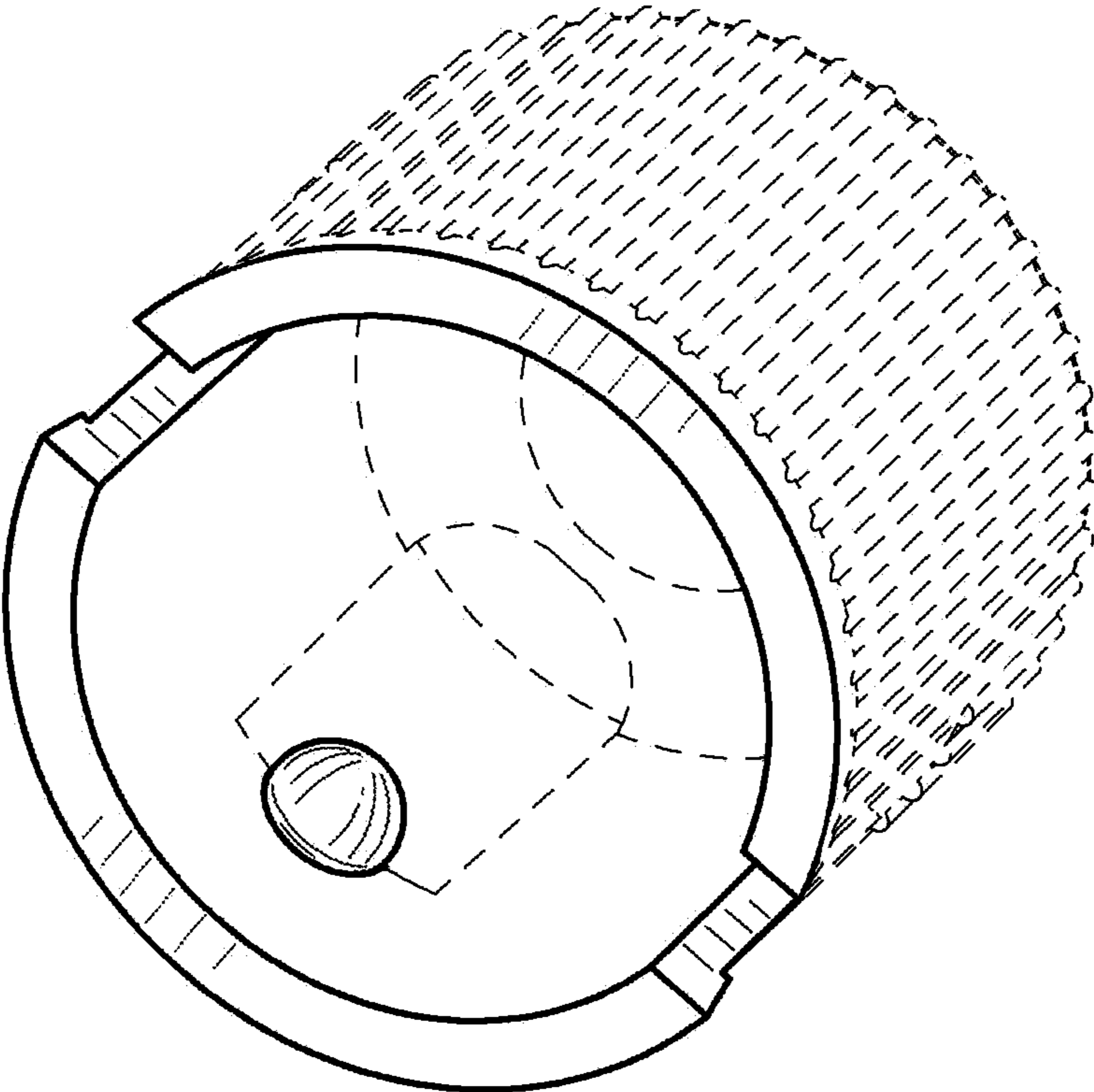


FIG. 1

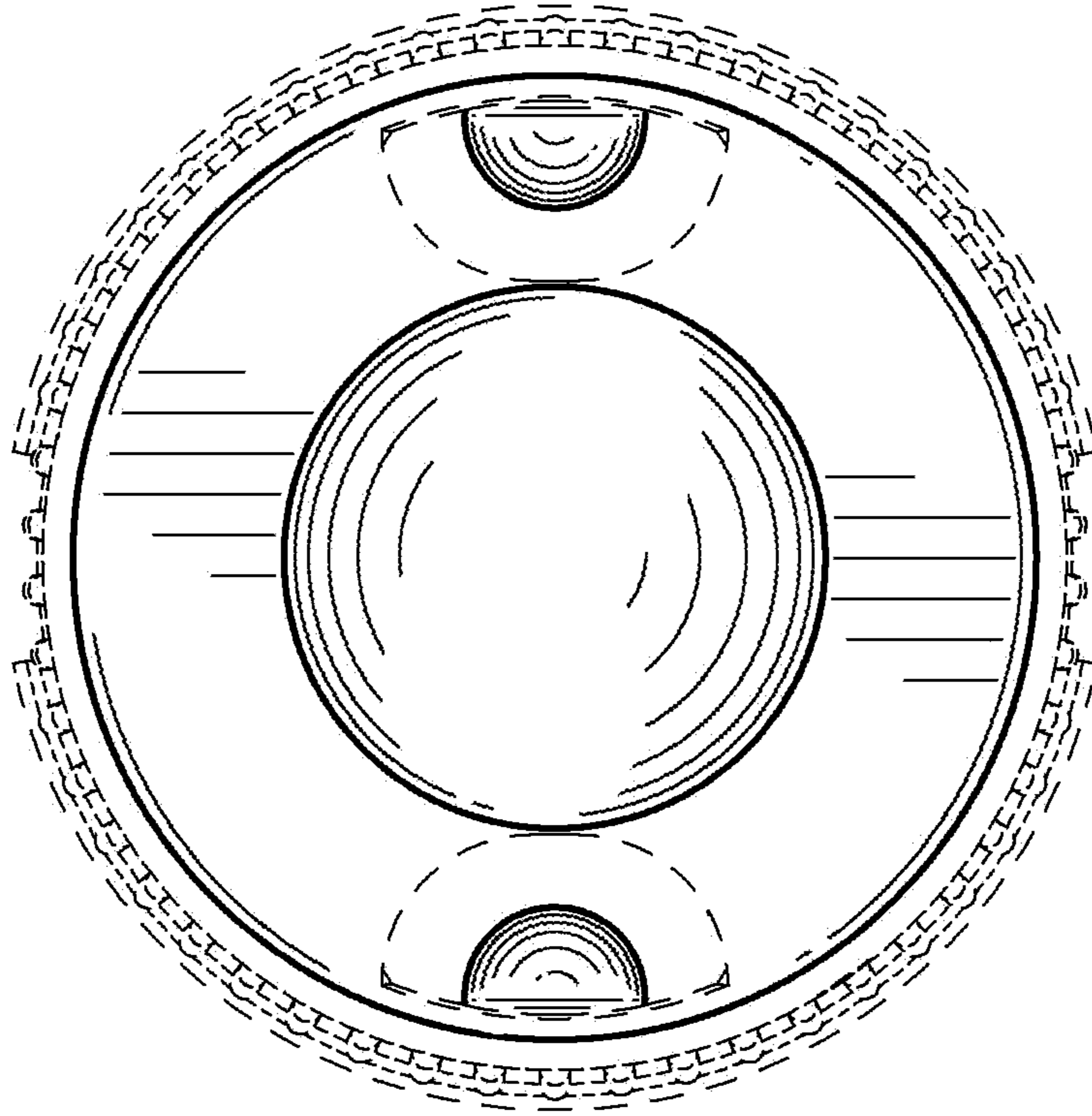


FIG. 2

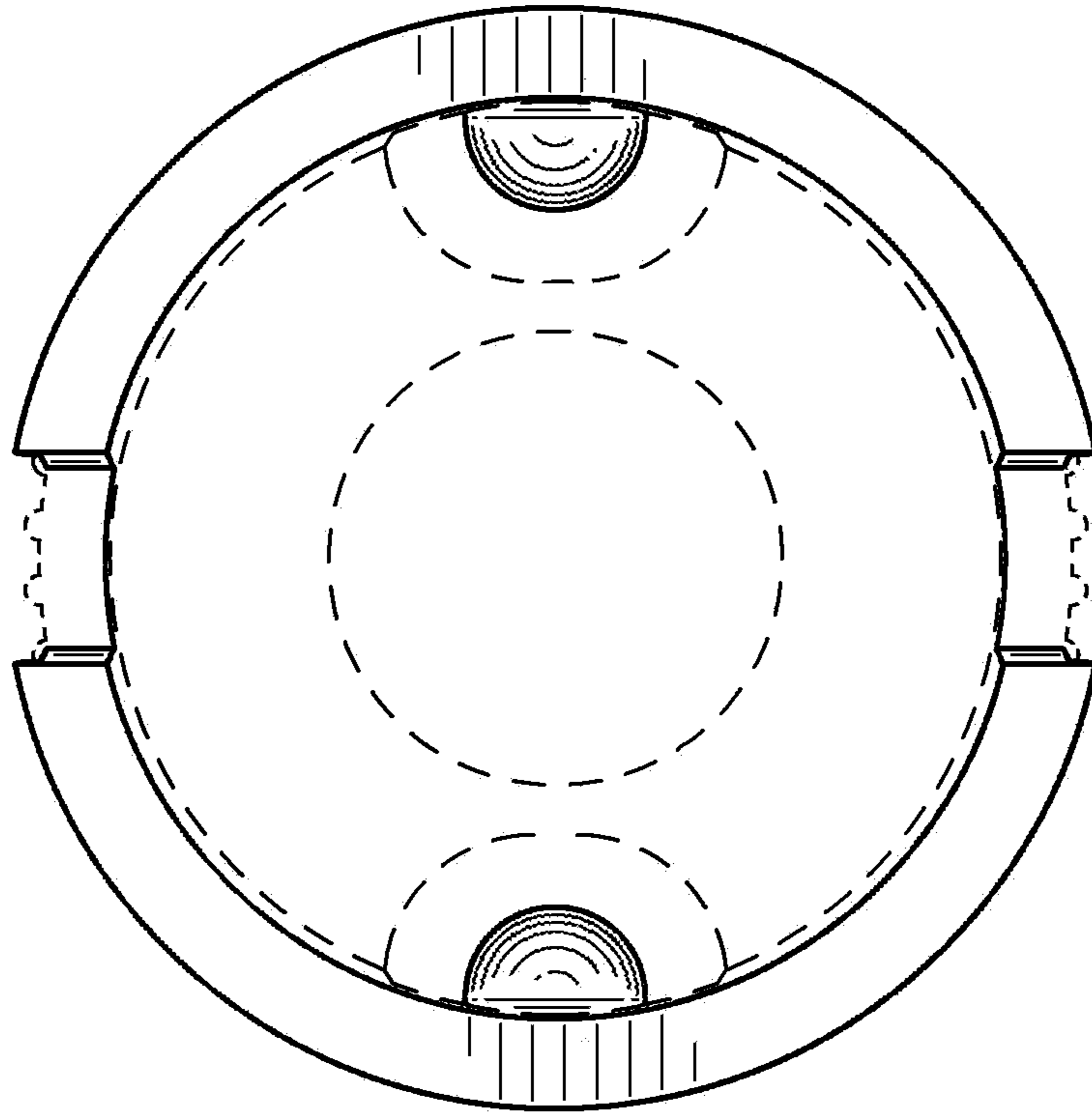


FIG. 3

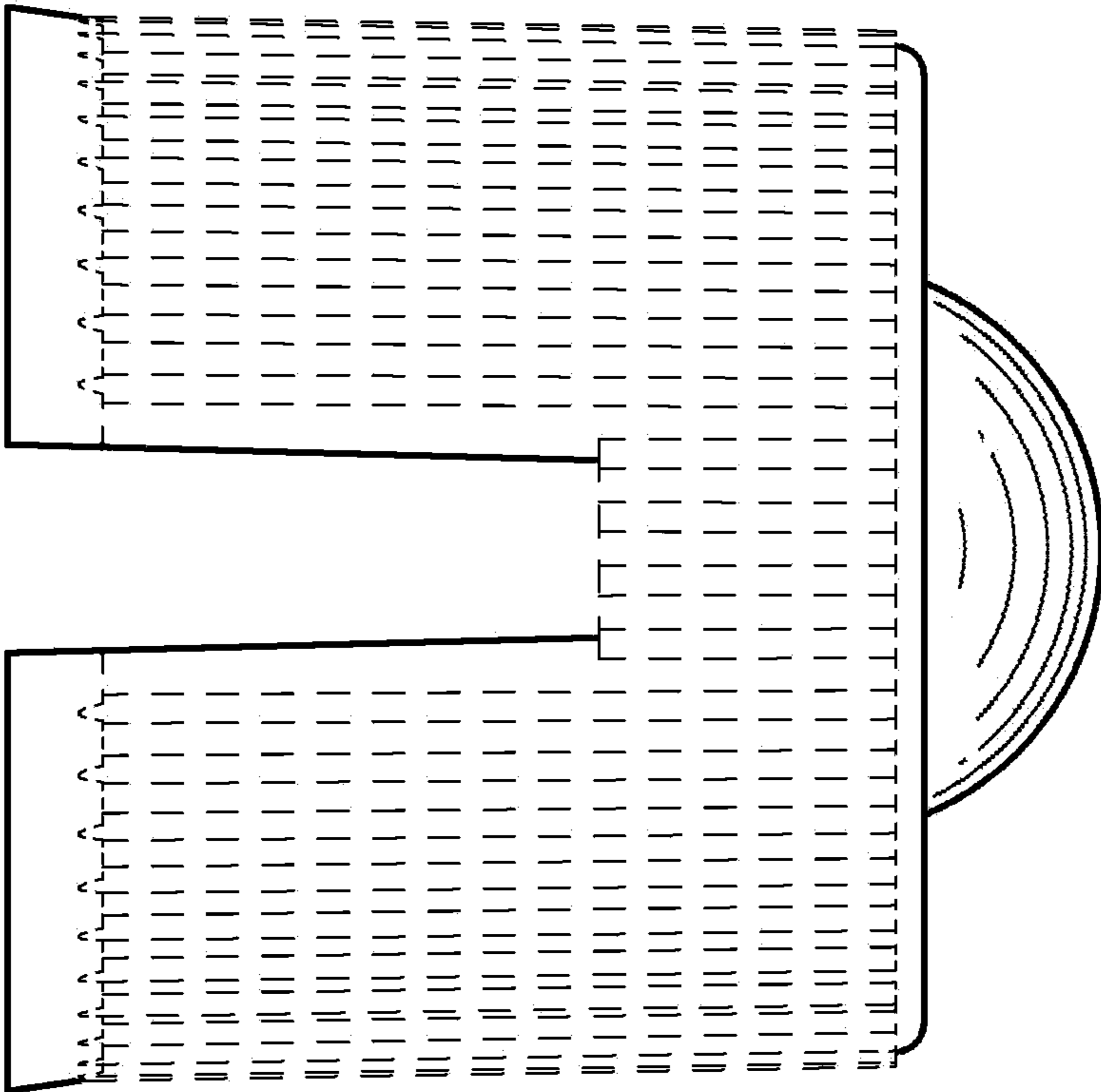


FIG. 4

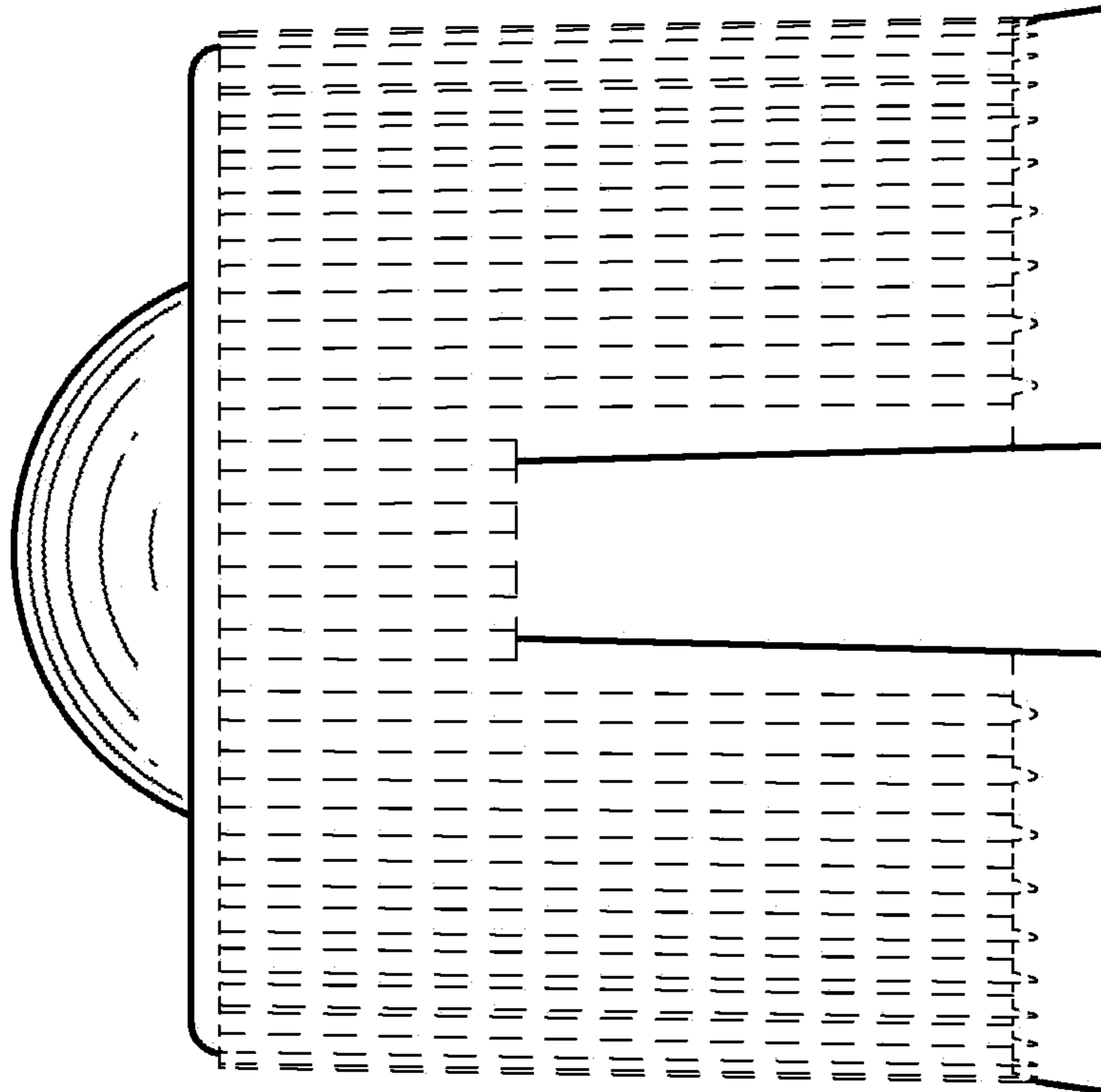


FIG. 5

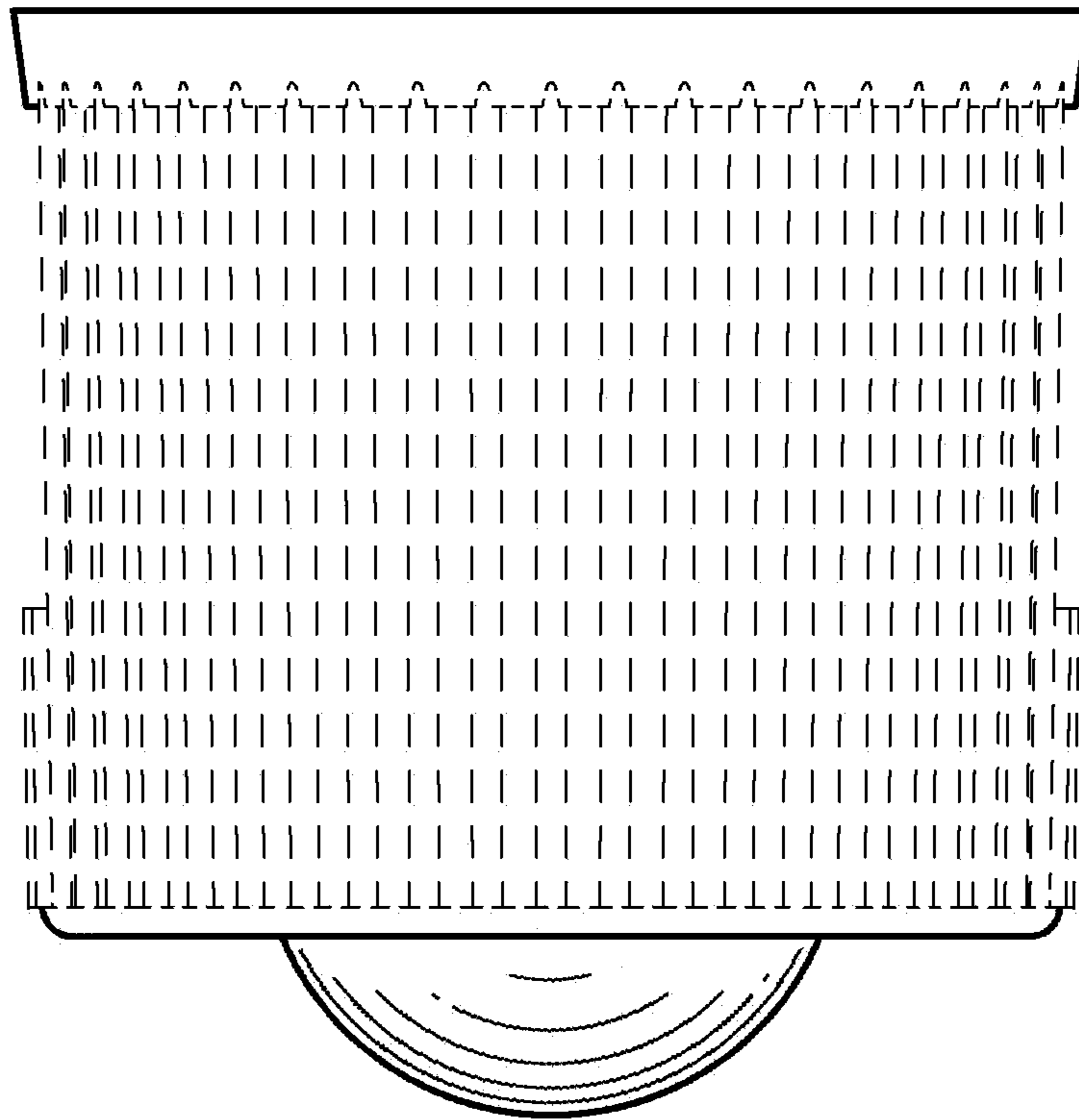


FIG. 6

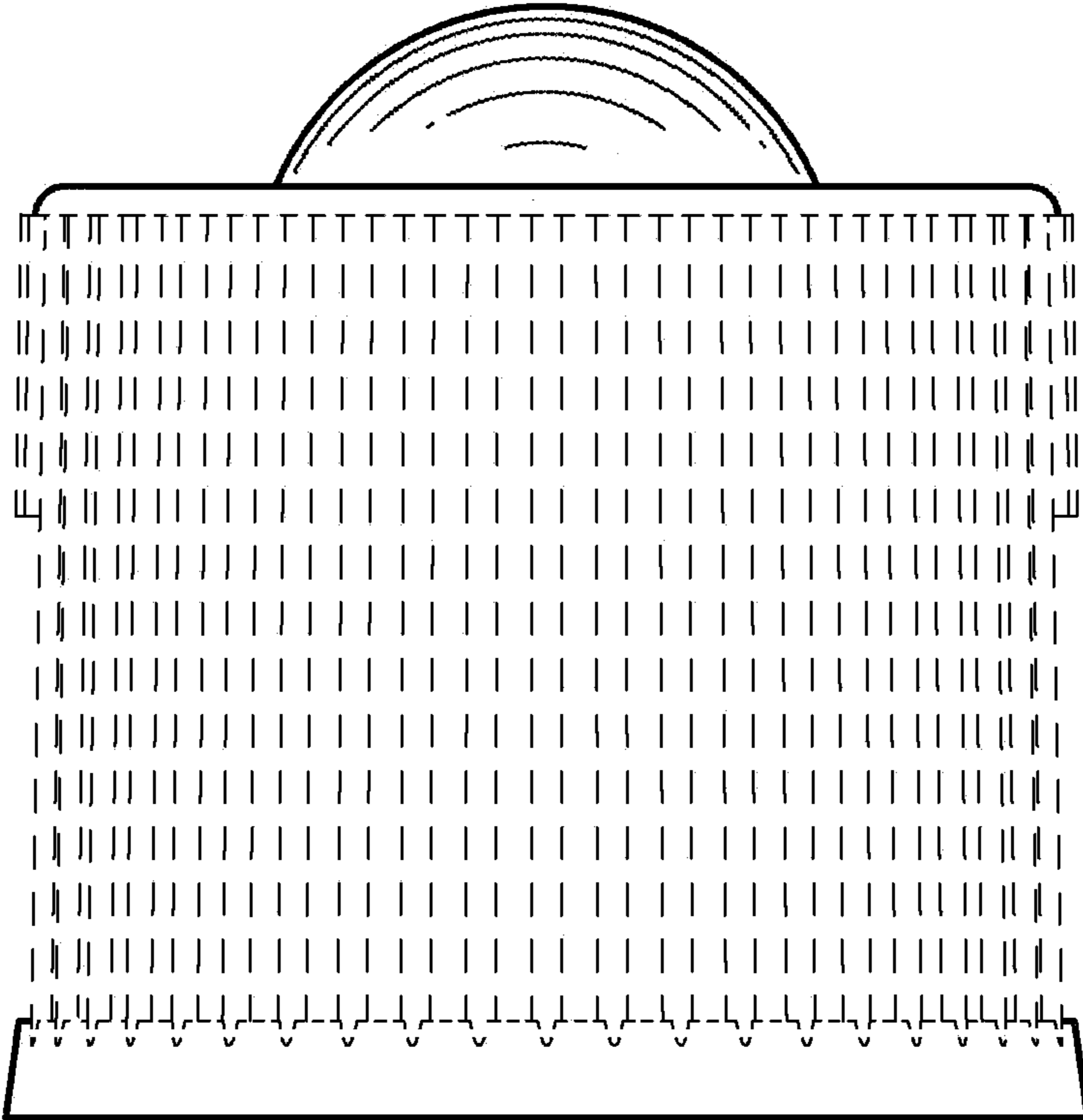


FIG. 7

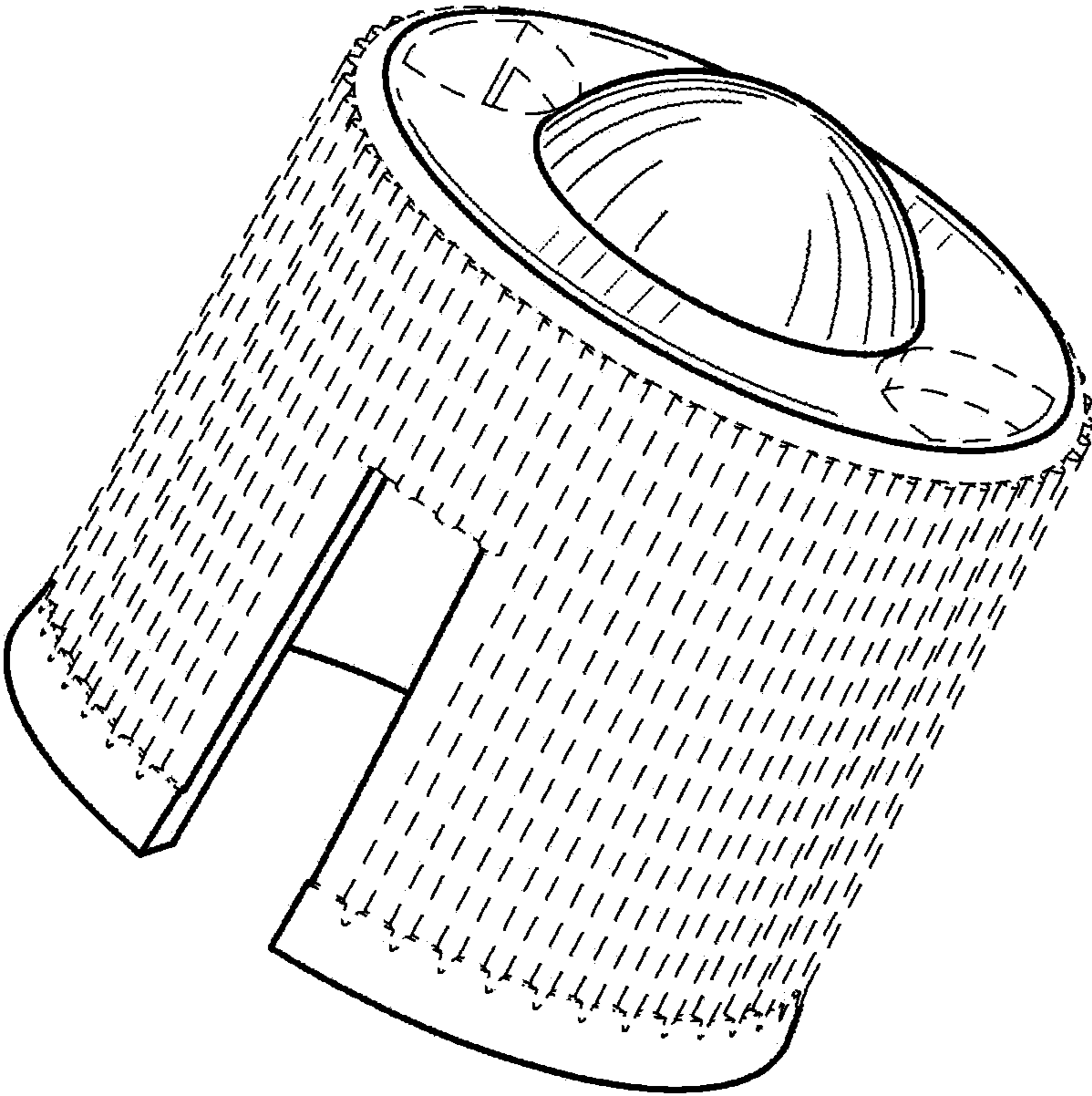


FIG. 8

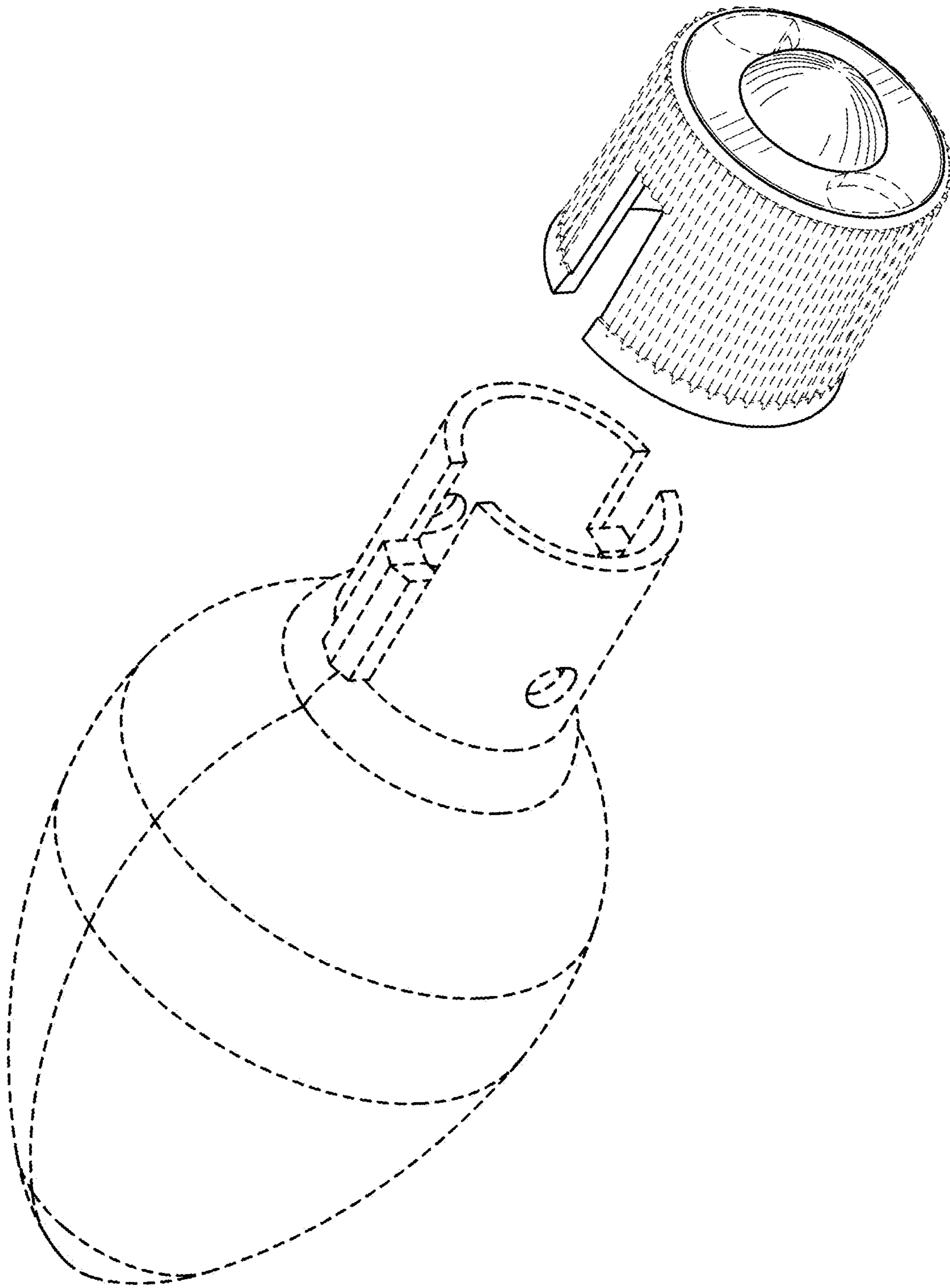


FIG. 9

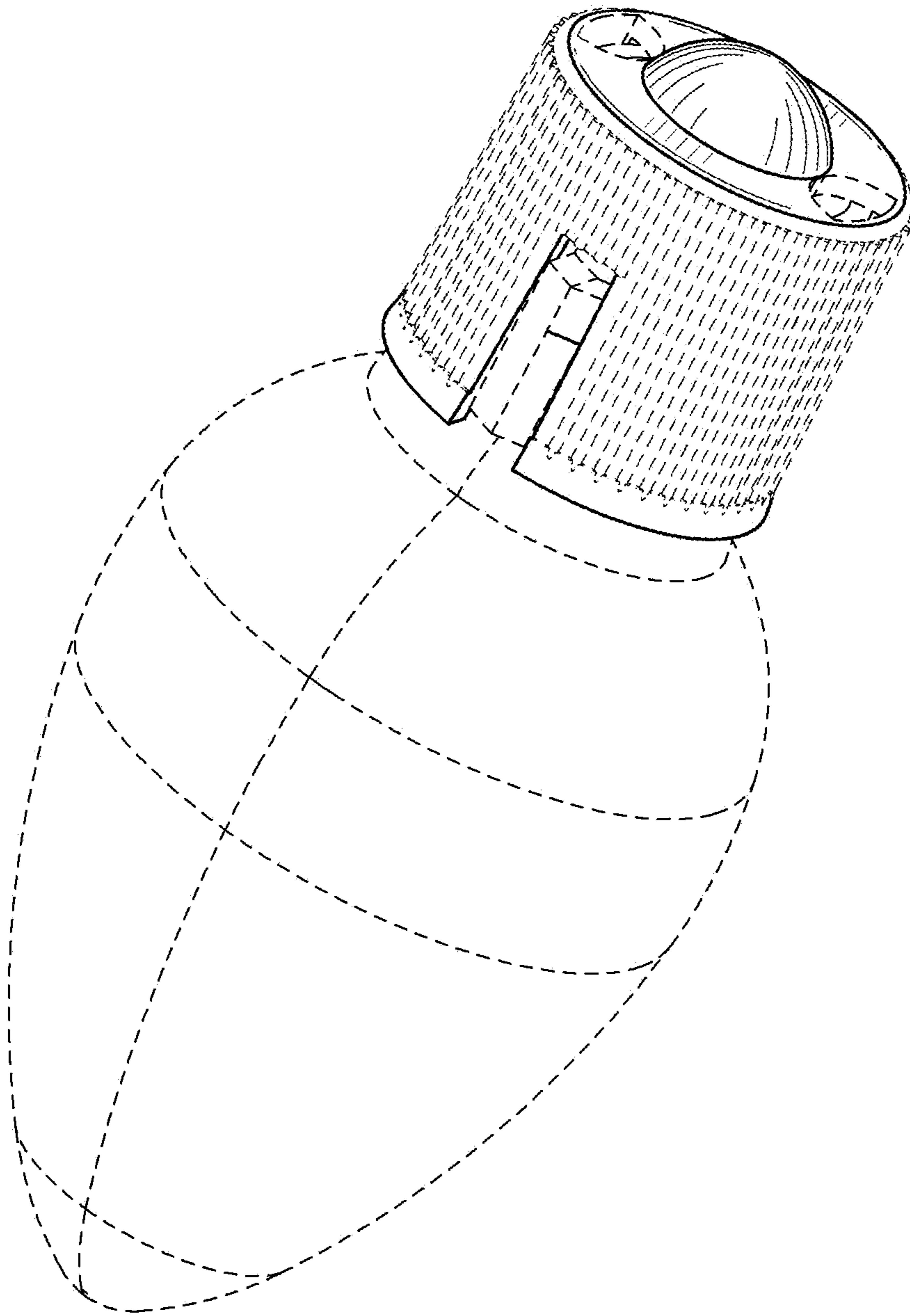


FIG. 10