



US00D916022S

(12) **United States Design Patent**  
**Becker et al.**

(10) **Patent No.:** **US D916,022 S**  
(45) **Date of Patent:** **\*\* Apr. 13, 2021**

(54) **GAS APPLIANCE IGNITION MODULE**

(71) Applicant: **Channel Products, Inc.**, Solon, OH  
(US)

(72) Inventors: **James S. Becker**, Chardon, OH (US);  
**Christopher Korman**, Akron, OH (US)

(73) Assignee: **Channel Products, Inc.**, Solon, OH  
(US)

(\*\*) Term: **15 Years**

(21) Appl. No.: **29/709,948**

(22) Filed: **Oct. 18, 2019**

(51) **LOC (13) Cl.** ..... **13-03**

(52) **U.S. Cl.**

USPC ..... **D13/126**

(58) **Field of Classification Search**

USPC ..... D13/117, 118, 126, 127, 158, 199;  
D7/401, 416

CPC ..... F02P 3/02; F02P 3/05; F23Q 3/00; F23Q  
3/006; F23N 5/022; F24C 3/103

See application file for complete search history.

(56) **References Cited**

**U.S. PATENT DOCUMENTS**

D258,358 S *	2/1981	Iyoda	.....	D13/117
5,170,768 A *	12/1992	Eileraas	.....	F02P 3/02 123/634
D633,444 S *	3/2011	Chau	.....	D13/126
D791,701 S *	7/2017	Becker	.....	D13/126
2003/0148655 A1 *	8/2003	Bluhm	.....	H01M 2/1066 439/500
2017/0138607 A1	5/2017	Becker et al.		
2020/0124290 A1 *	4/2020	Becker	.....	F24C 3/103

**FOREIGN PATENT DOCUMENTS**

DE	102009044315 A1	4/2011
EP	0219205 A1	4/1987
JP	S5324774 U	3/1978

**OTHER PUBLICATIONS**

International Search Report and Written Opinion from corresponding International Application No. PCT/US2019/056911, dated Mar. 20, 2020, 22 pages.

\* cited by examiner

*Primary Examiner* — Selina Sikder

(74) *Attorney, Agent, or Firm* — Tucker Ellis LLP;  
Heather M. Barnes; Michael G. Craig

(57) **CLAIM**

The ornamental design for a gas appliance ignition module, as shown and described.

**DESCRIPTION**

FIG. 1 is a top perspective view of a new design for a gas appliance ignition module.

FIG. 2 is a bottom perspective view of FIG. 1.

FIG. 3 is a top plan view of FIG. 1.

FIG. 4 is a bottom view of FIG. 1.

FIG. 5 is a front elevation view of FIG. 1.

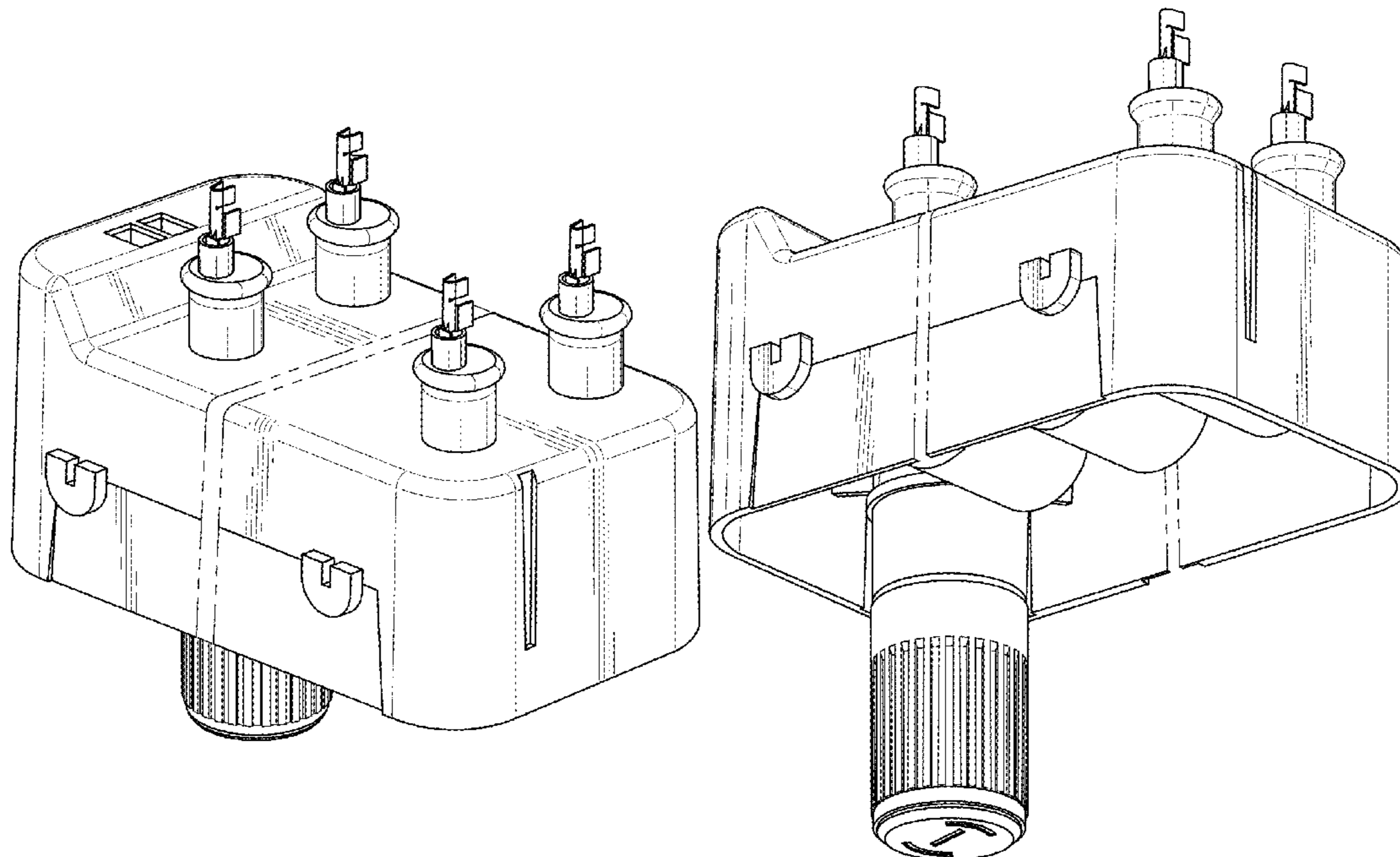
FIG. 6 is a rear elevation view of FIG. 1.

FIG. 7 is a left side view of FIG. 1; and,

FIG. 8 is a right side view of FIG. 1.

The gas appliance ignition module is shown broken away in FIGS. 1-6 of the drawing to indicate indeterminate length, it being understood that it has a uniform shape and appearance throughout its length.

**1 Claim, 5 Drawing Sheets**



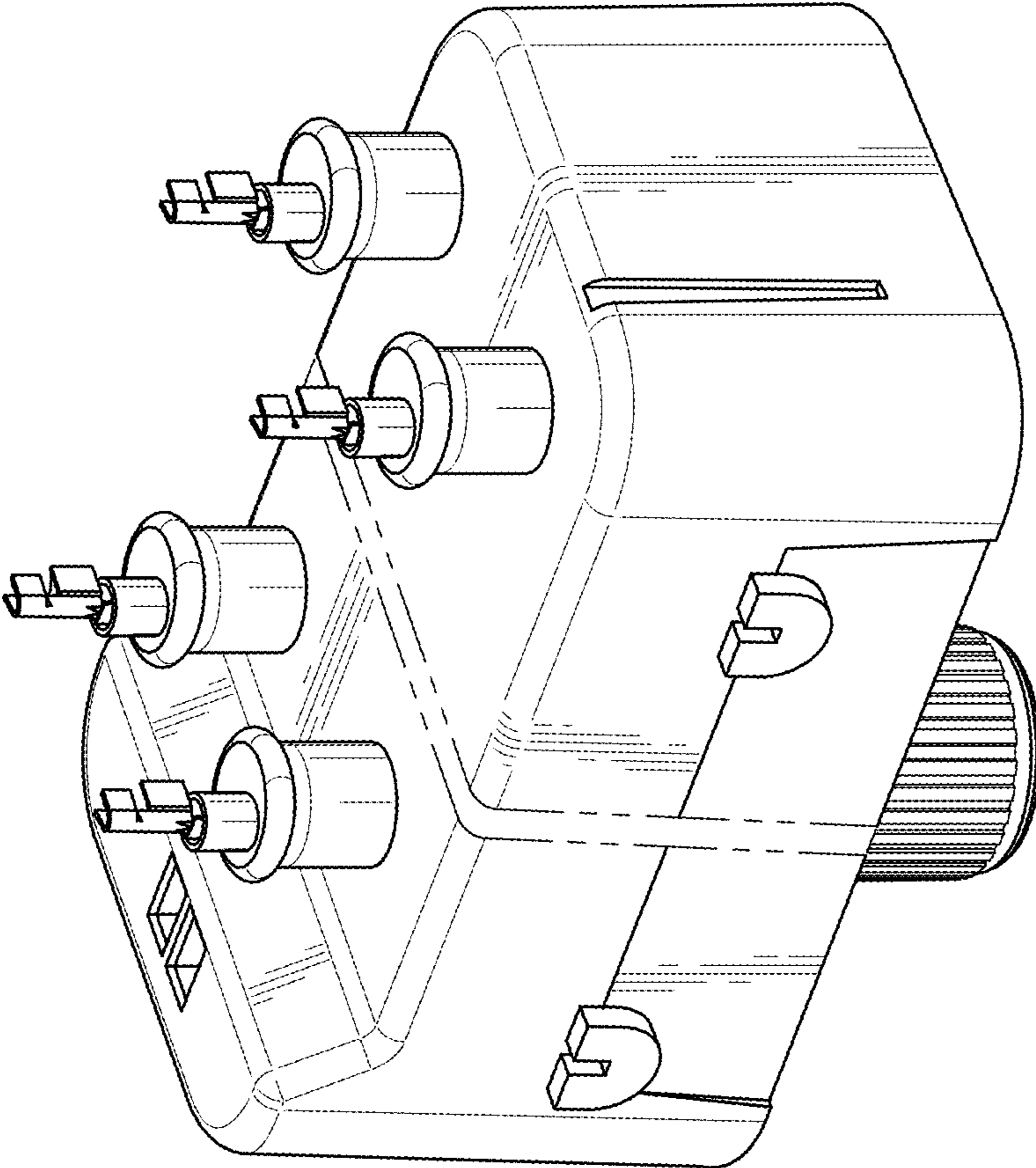


FIG. 1

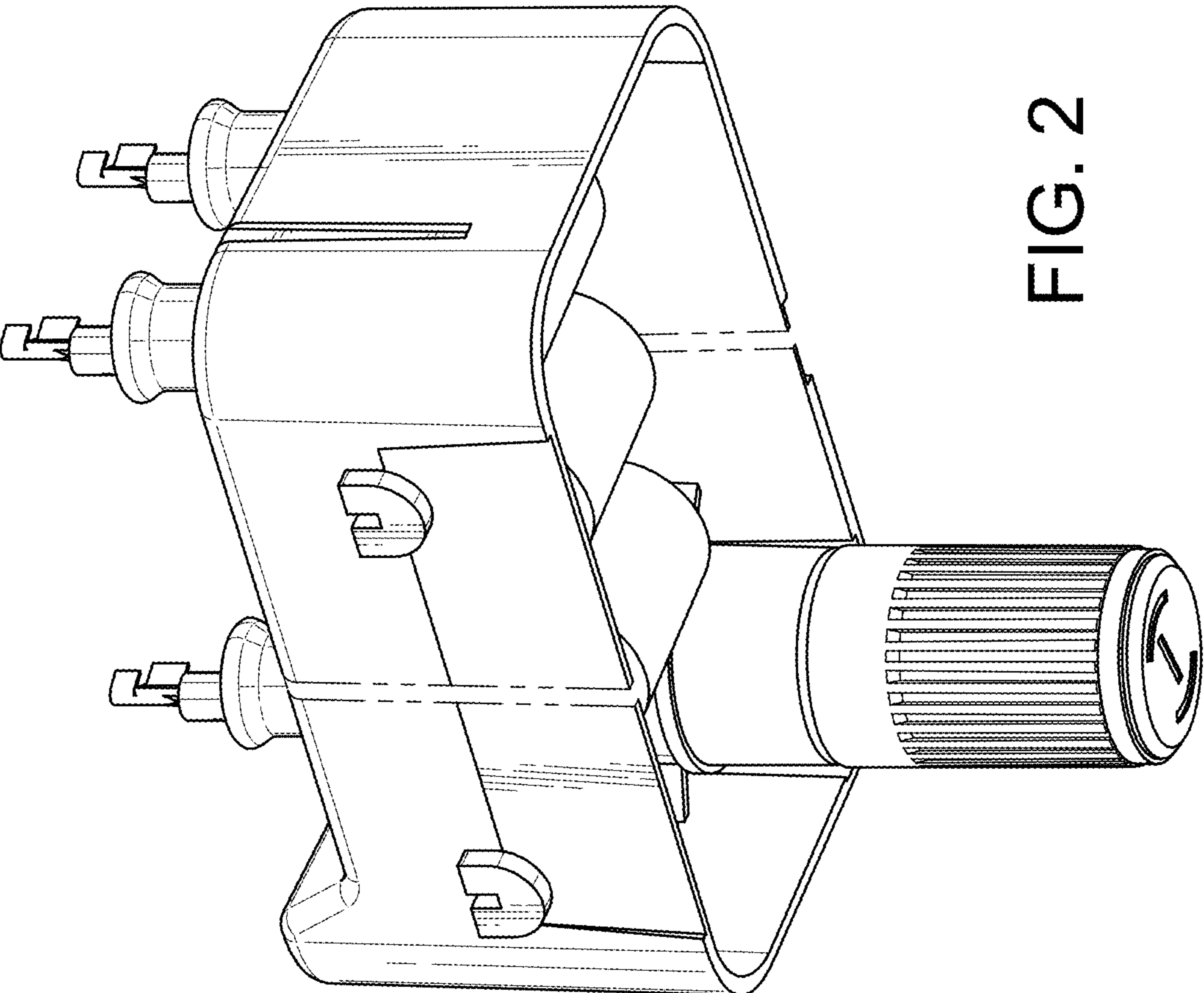


FIG. 2

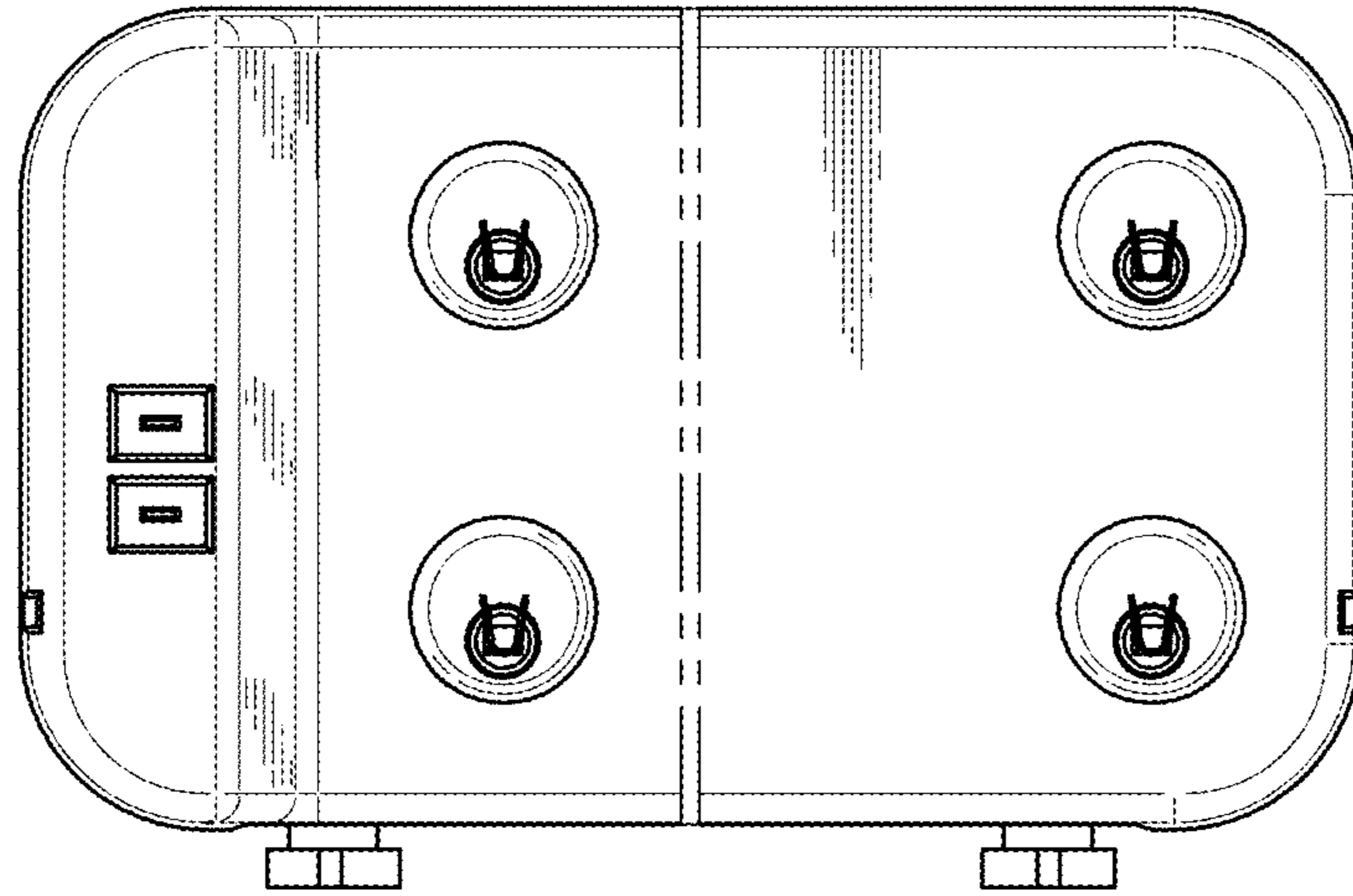


FIG. 3

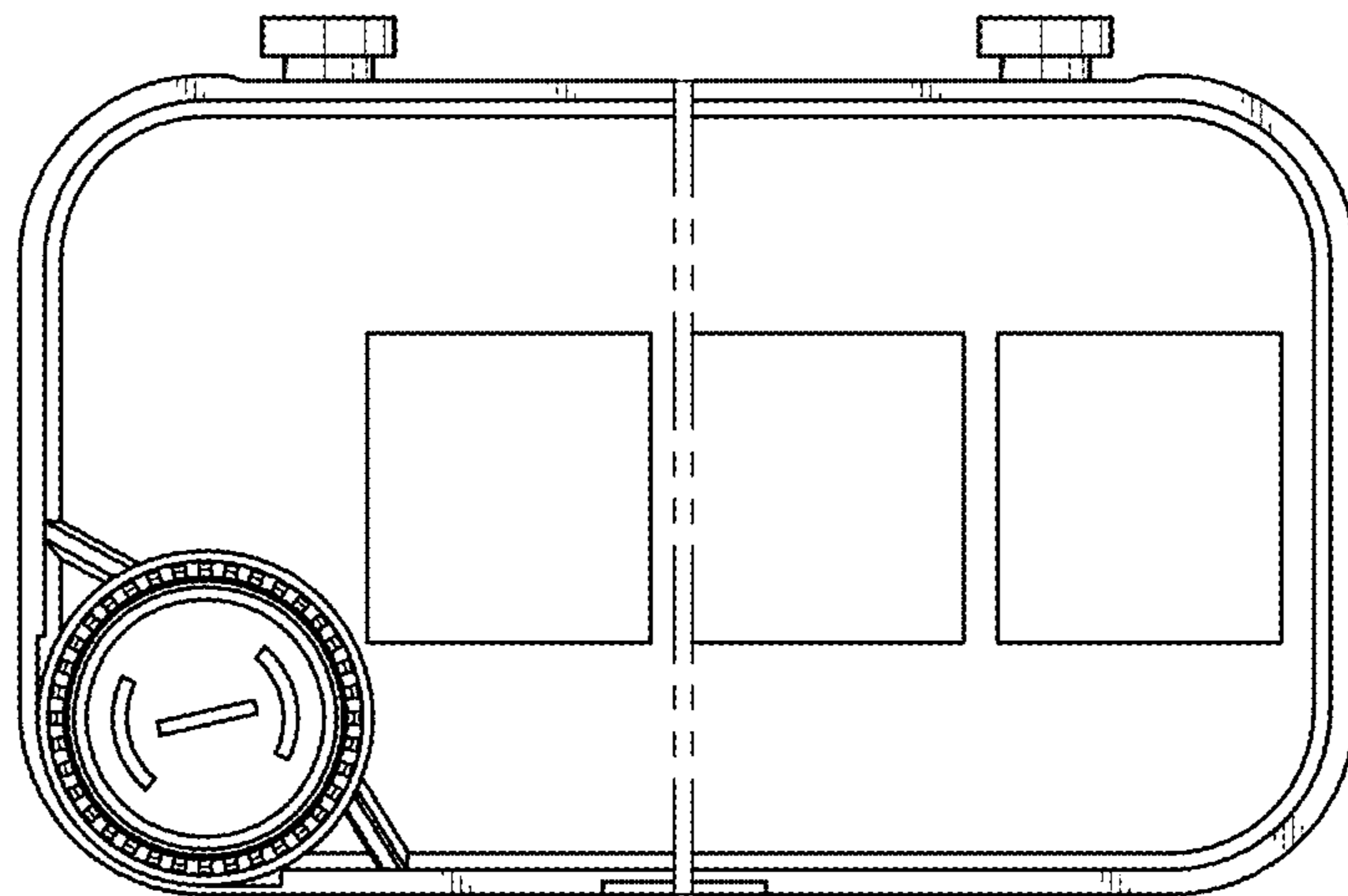


FIG. 4



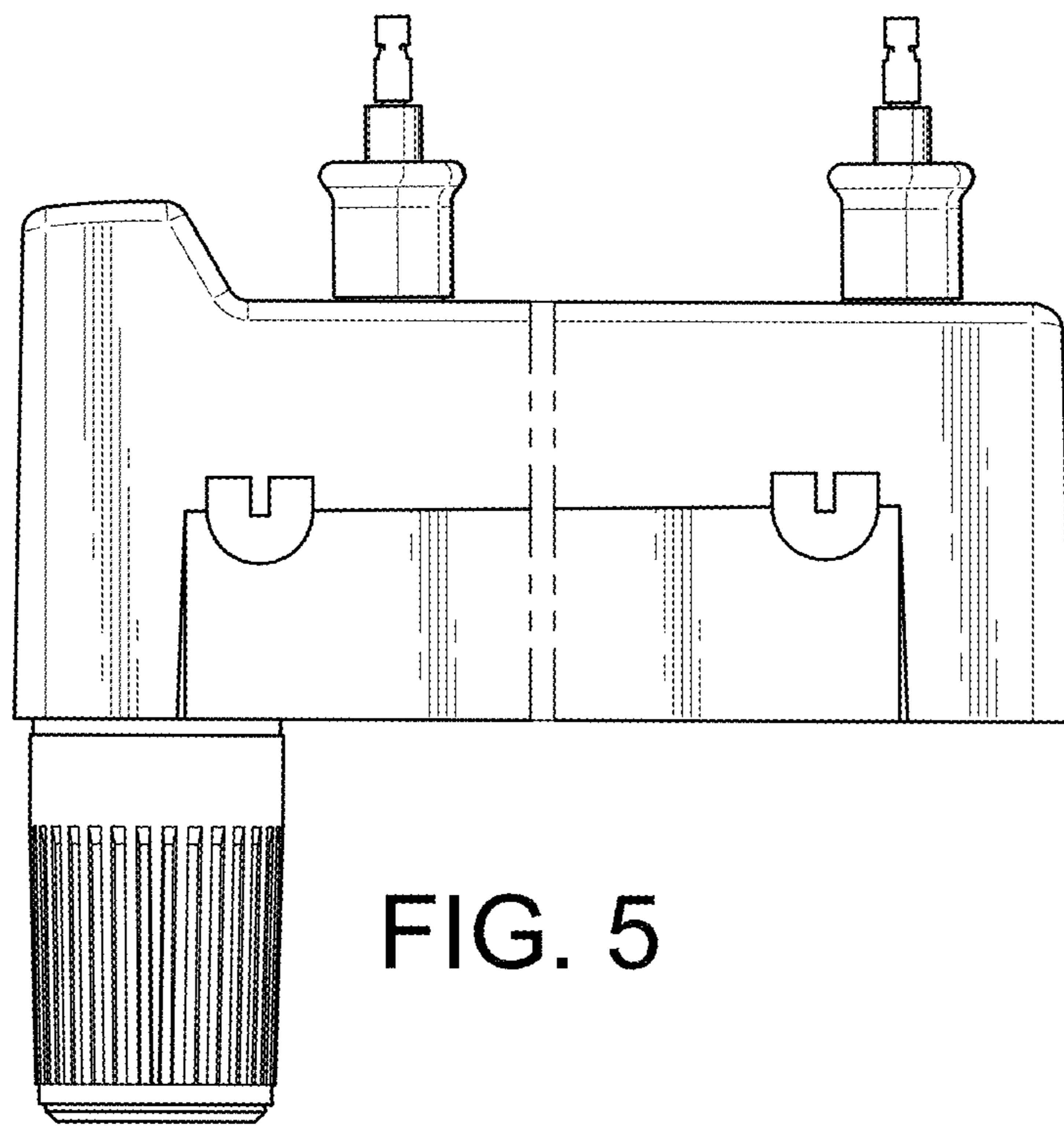


FIG. 5

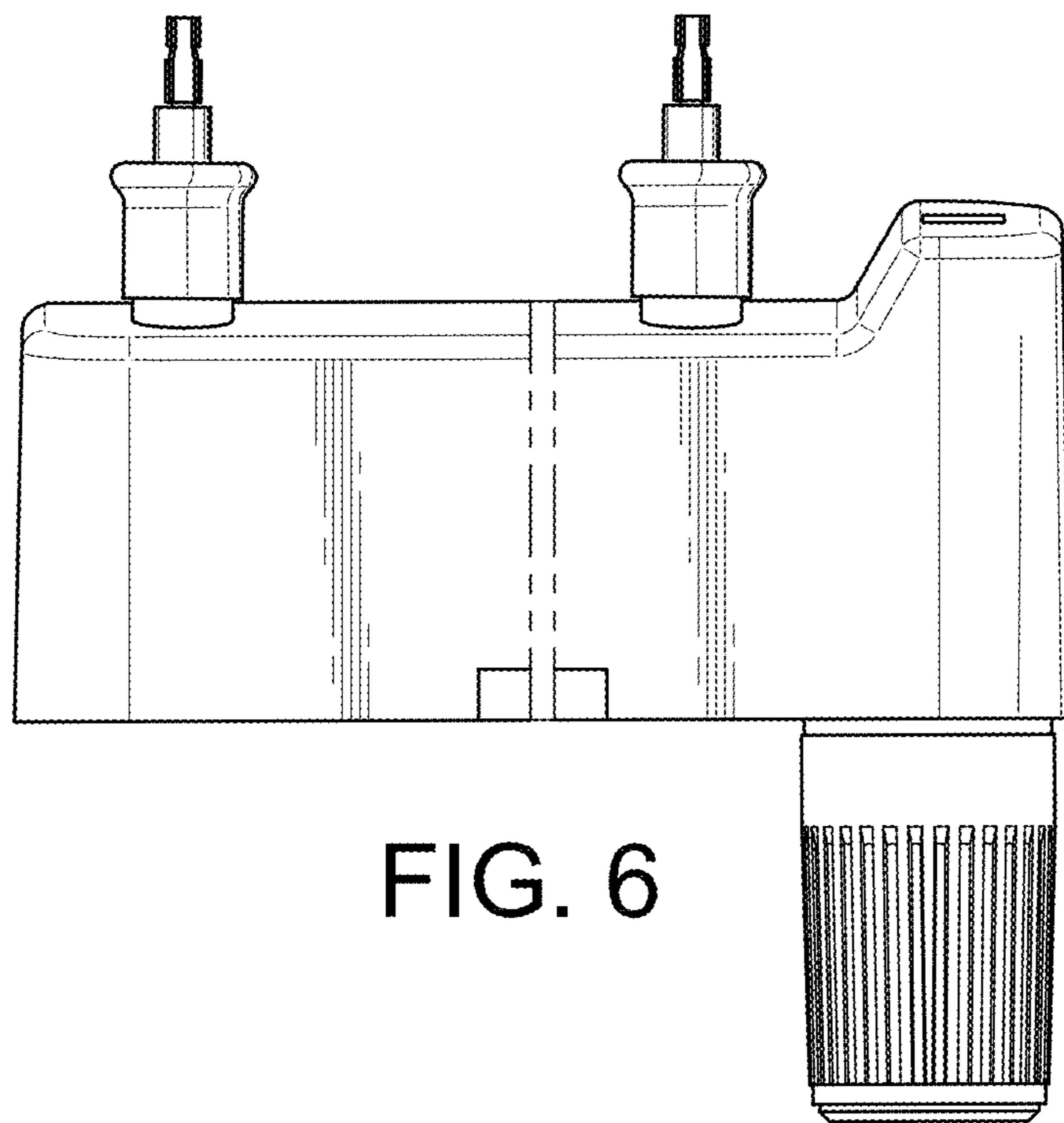


FIG. 6

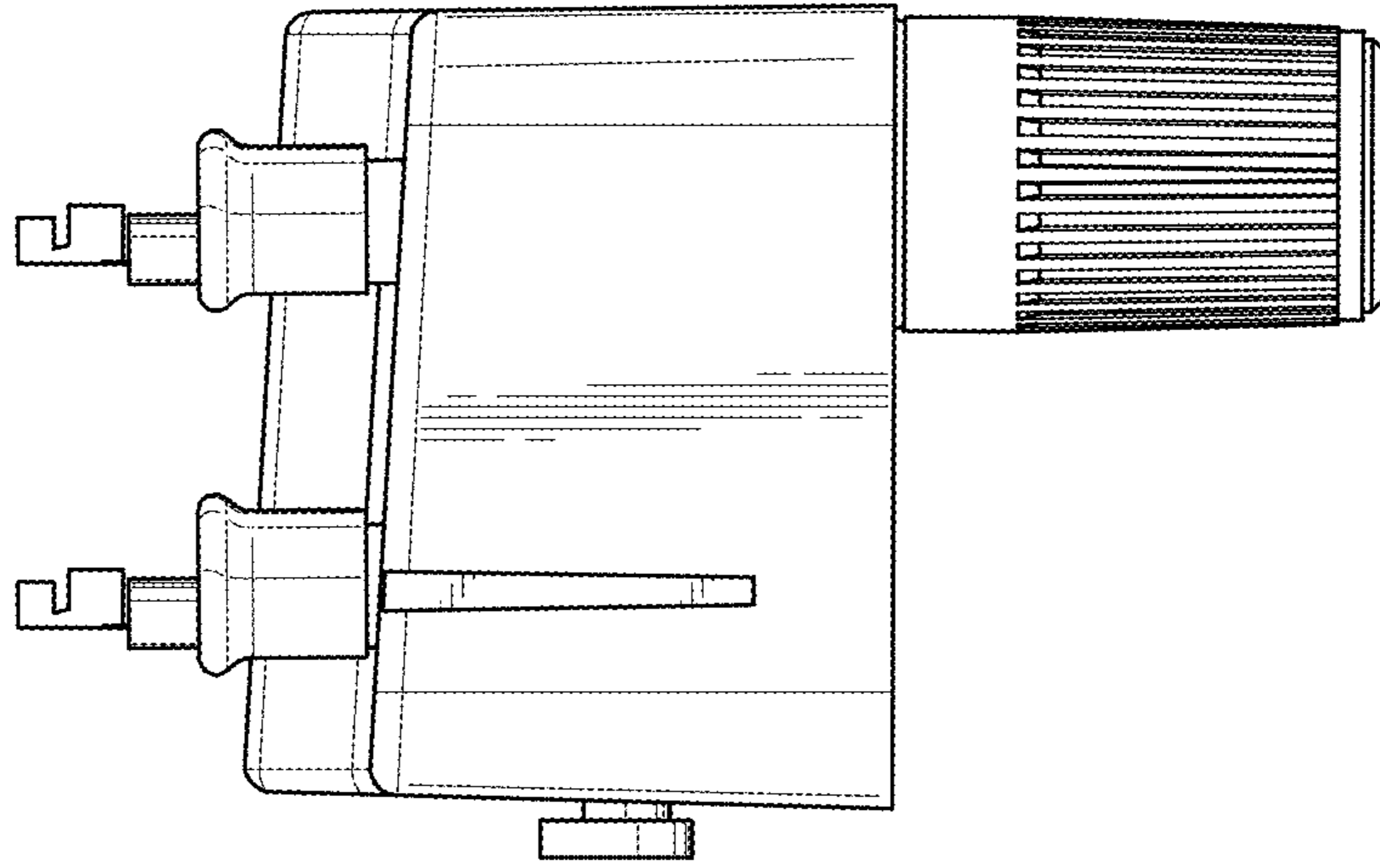


FIG. 8

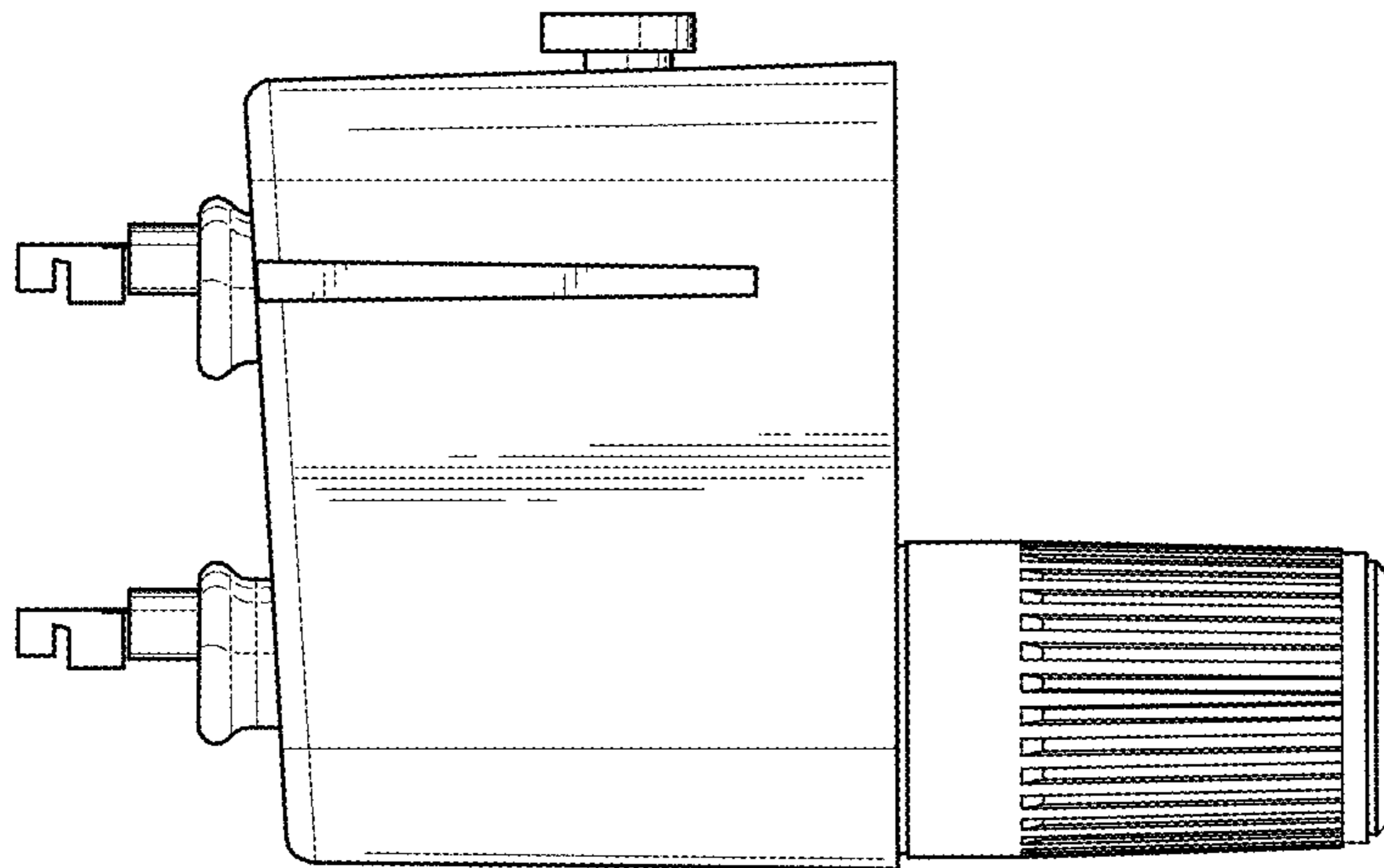


FIG. 7