



US00D916020S

(12) **United States Design Patent**  
**Drabek et al.**

(10) **Patent No.:** **US D916,020 S**  
(45) **Date of Patent:** **\*\* Apr. 13, 2021**

(54) **GENERATOR SET**

7,655,074 B2 2/2010 Nepsund et al.  
D646,634 S \* 10/2011 Kipka ..... D13/114  
D711,825 S \* 8/2014 Wilson ..... D13/112

(71) Applicant: **Cummins Power Generation IP, Inc.**,  
Minneapolis, MN (US)

(72) Inventors: **Hans L. Drabek**, Woodbury, MN (US);  
**Anthony T. Klejeski**, Bethel, MN (US)

(73) Assignee: **Cummins Power Generation IP, Inc.**,  
Minneapolis, MN (US)

(\*\*) Term: **15 Years**

(21) Appl. No.: **29/714,927**

(22) Filed: **Nov. 26, 2019**

(51) **LOC (13) Cl.** ..... **13-01**

(52) **U.S. Cl.**  
USPC ..... **D13/112**

(58) **Field of Classification Search**  
USPC ..... D13/112, 114, 118, 122, 184, 199;  
D15/23, 28, 31, 33  
CPC .. H02K 7/00; H02K 7/16; H02K 7/18; H02K  
7/1815; F02B 63/04; F02B 63/042; F02B  
77/11; F02B 77/13  
See application file for complete search history.

(56) **References Cited**

**U.S. PATENT DOCUMENTS**

D309,288 S \* 7/1990 Haverly ..... D13/114  
D344,711 S \* 3/1994 Clancey ..... D13/114  
6,039,009 A \* 3/2000 Hirose ..... F02B 63/04  
123/2  
D562,238 S \* 2/2008 Nozaki ..... D13/114  
D574,771 S \* 8/2008 Flanigan ..... D13/122

**OTHER PUBLICATIONS**

U.S. Appl. No. 16/697,089, filed Nov. 26, 2019, Cummins Power  
Generation IP, Inc.  
U.S. Appl. No. 62/771,939, filed Nov. 27, 2018, Cummins Power  
Generation IP, Inc.

\* cited by examiner

*Primary Examiner* — Derrick E Holland

(74) *Attorney, Agent, or Firm* — Foley & Lardner LLP

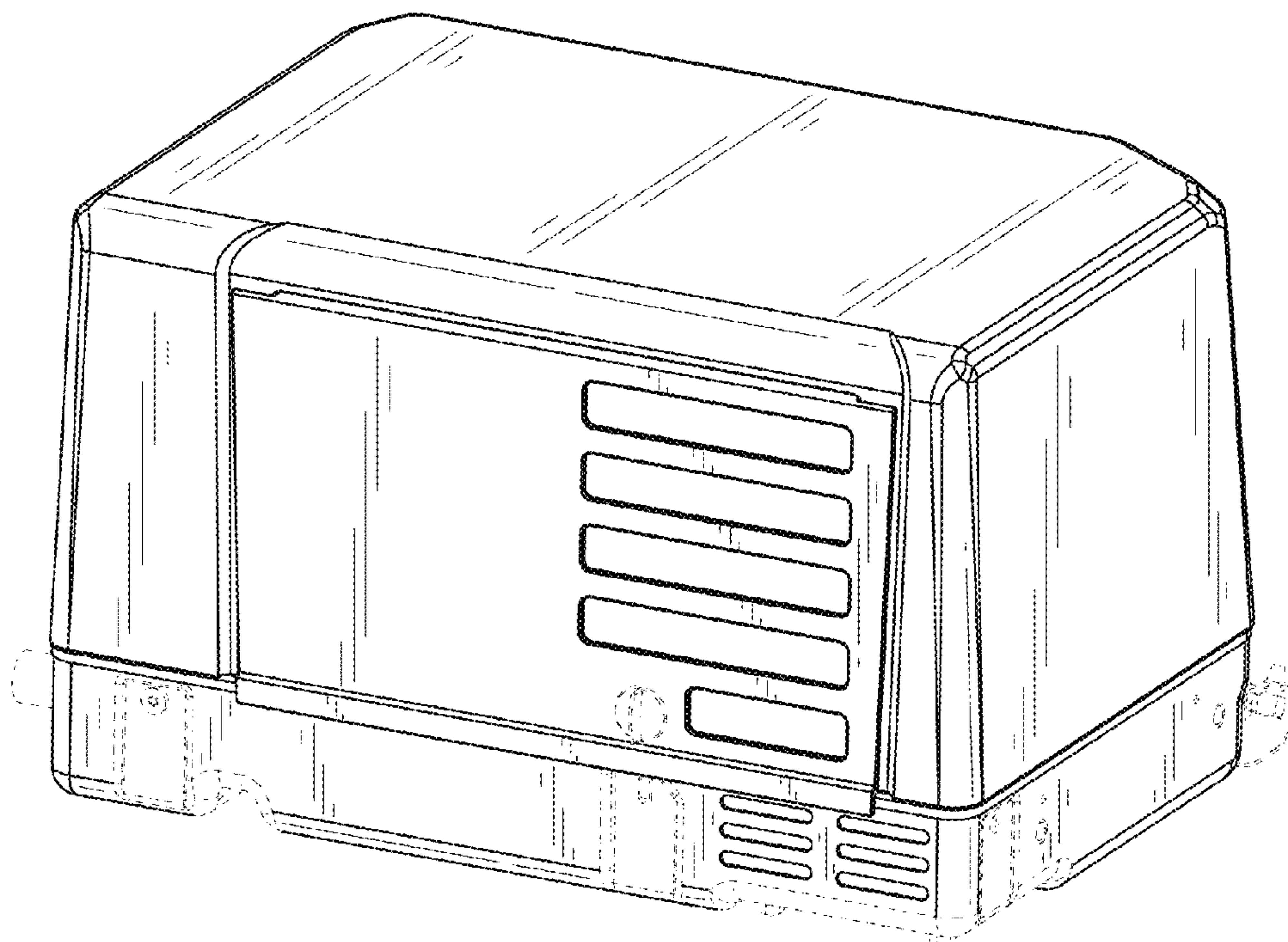
(57) **CLAIM**

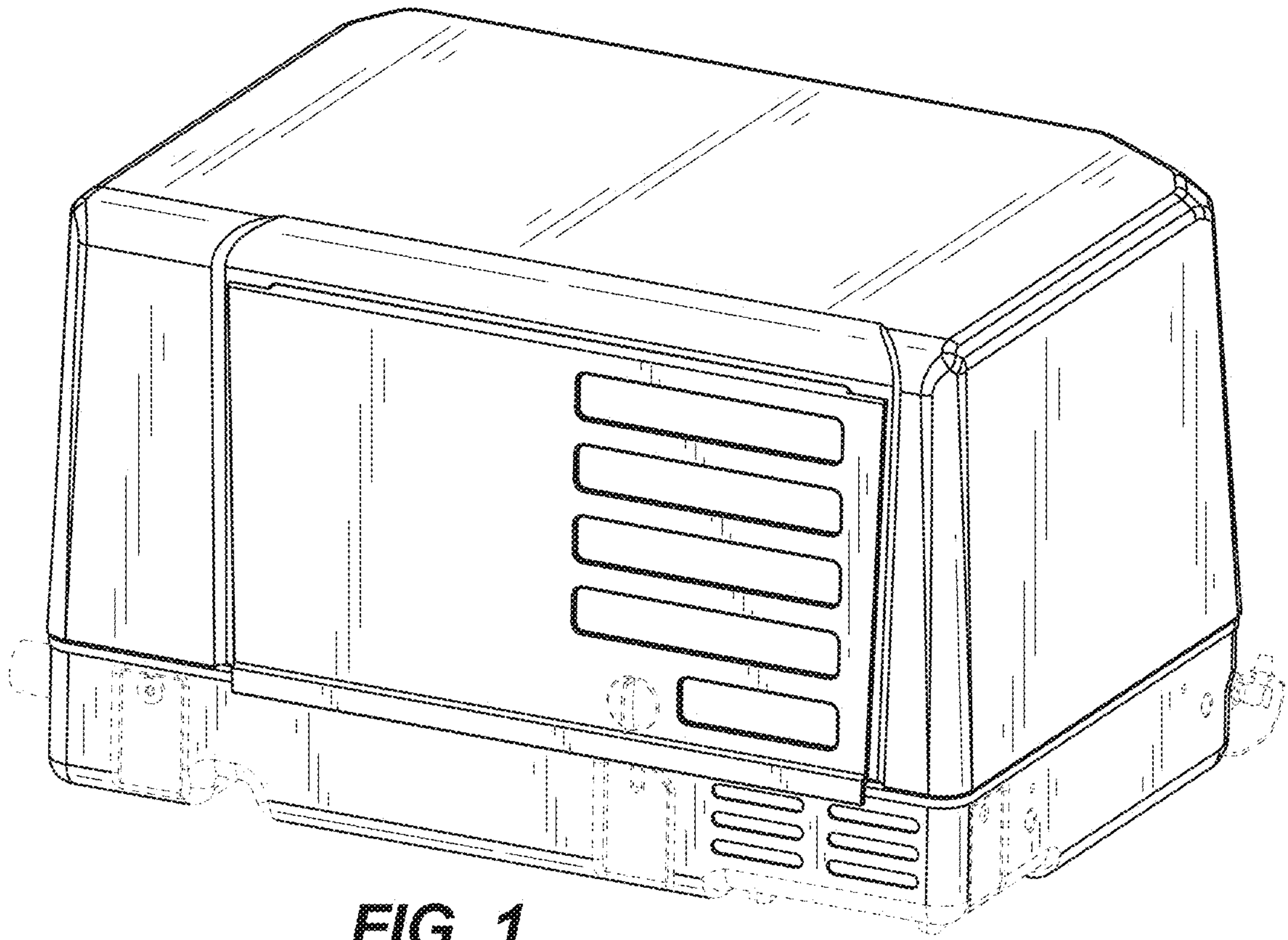
We claim the ornamental design for a generator set, as  
shown and described.

**DESCRIPTION**

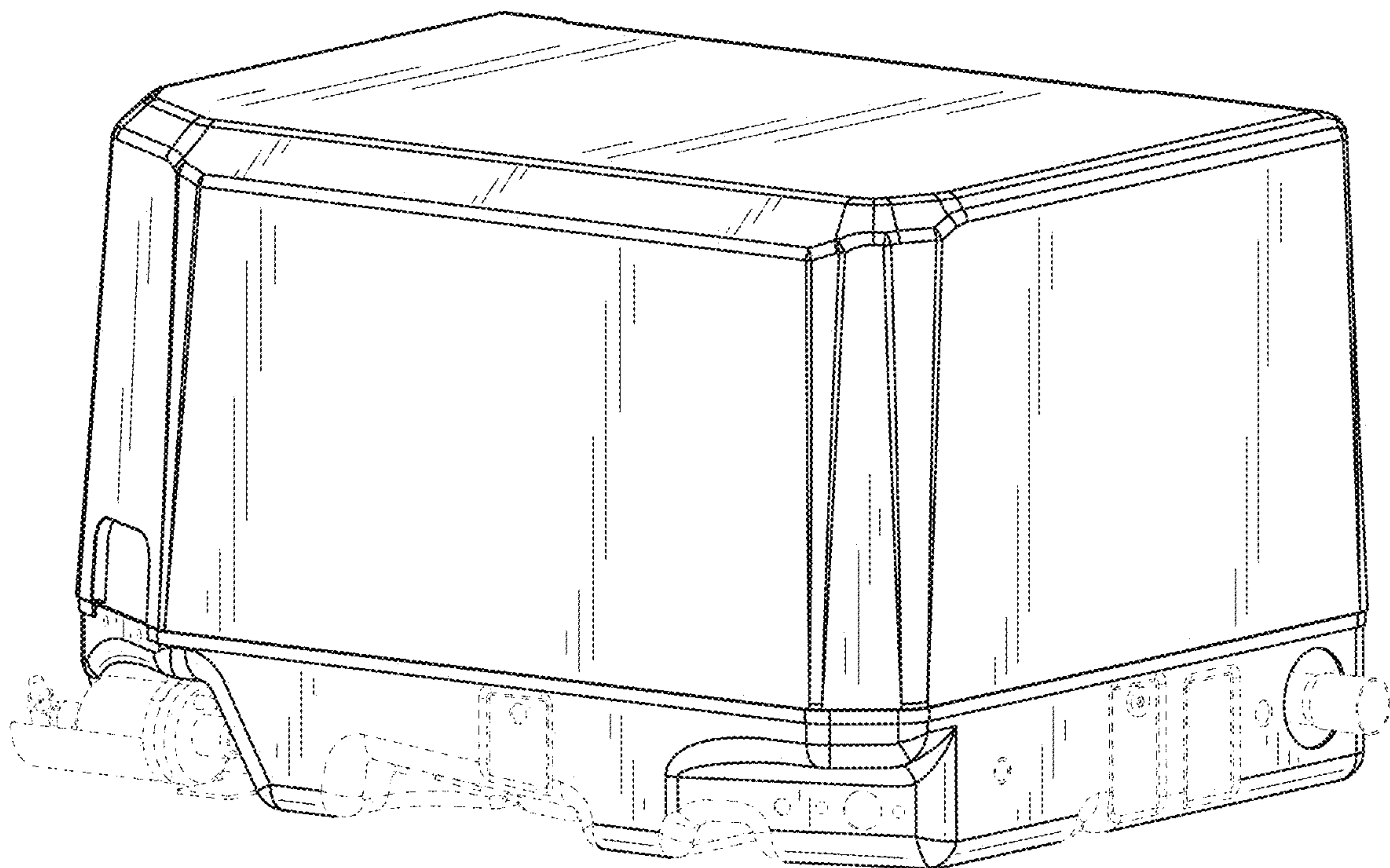
FIG. 1 is a top, front, left perspective view of a generator set.  
FIG. 2 is a top, rear, right perspective view of the generator  
set of FIG. 1.  
FIG. 3 is a front view of the generator set of FIG. 1.  
FIG. 4 is a rear view of the generator set of FIG. 1.  
FIG. 5 is a left side view of the generator set of FIG. 1.  
FIG. 6 is a right side view of the generator set of FIG. 1.  
FIG. 7 is a top view of the generator set of FIG. 1; and,  
FIG. 8 is a bottom view of the generator set of FIG. 1.  
The ornamental design which is claimed is shown in solid  
lines in the drawings. Any broken lines in the figures  
illustrate portions of the generator set that form no part of the  
claimed design.

**1 Claim, 4 Drawing Sheets**



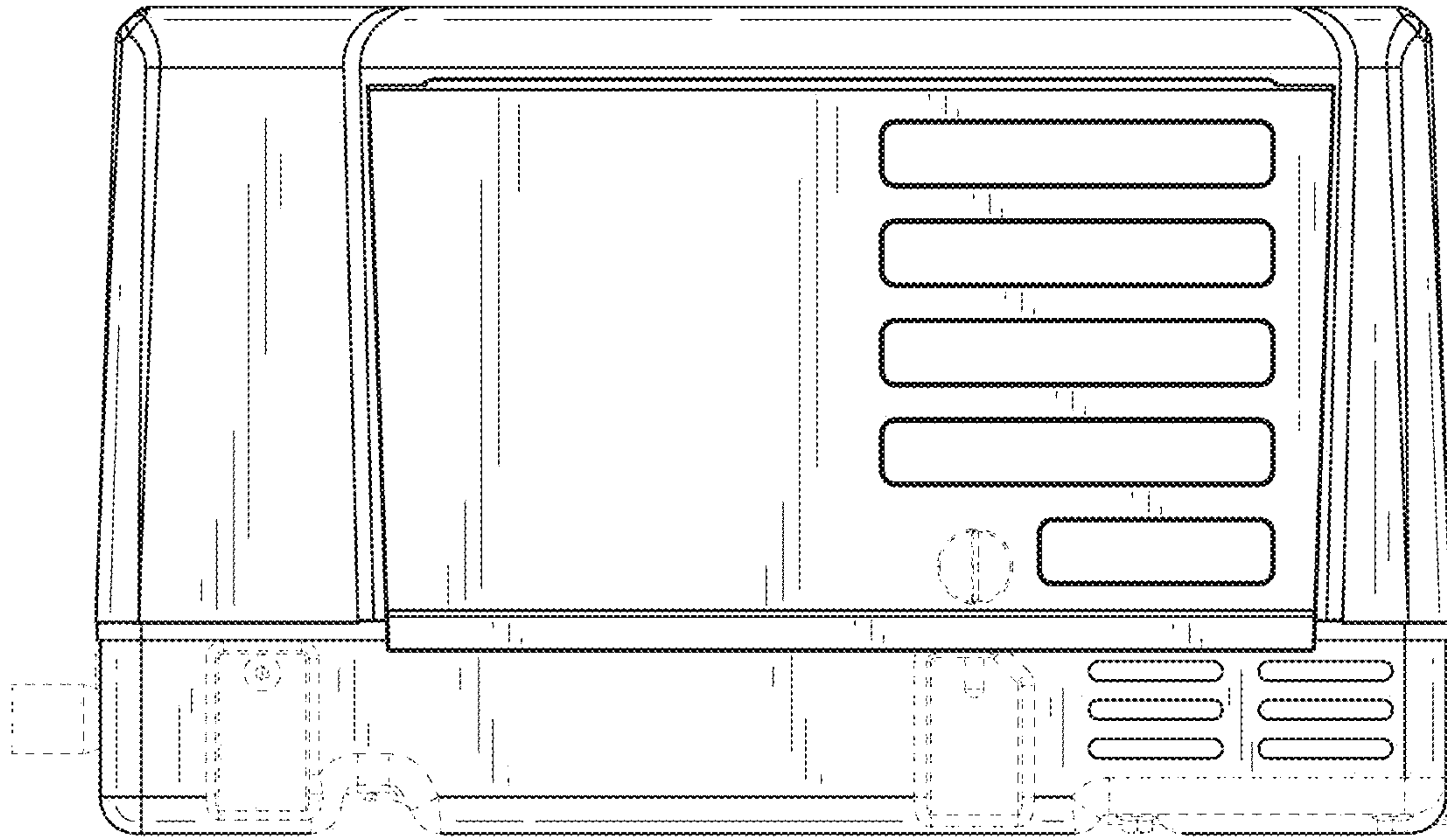


**FIG. 1**

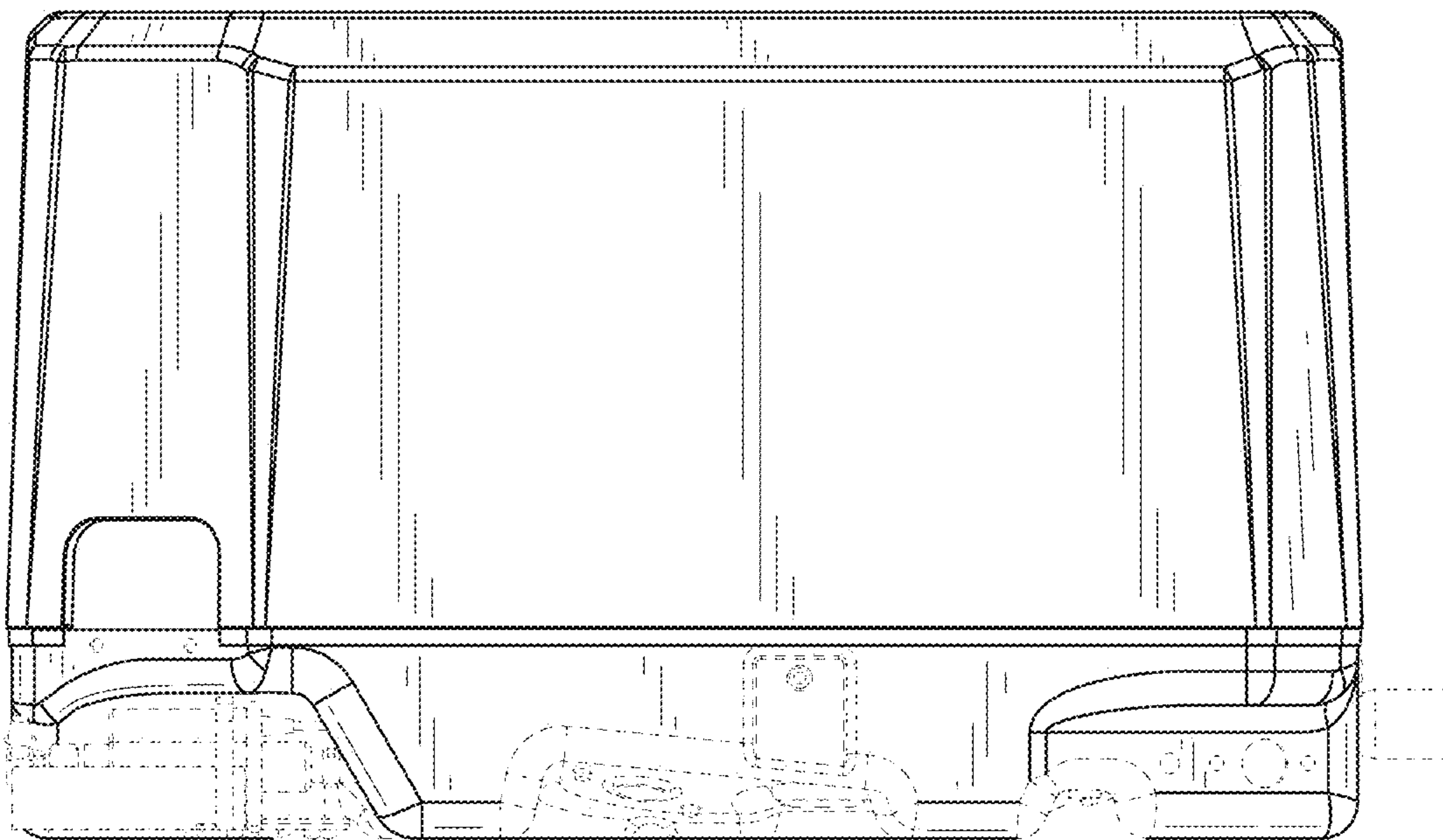


**FIG. 2**

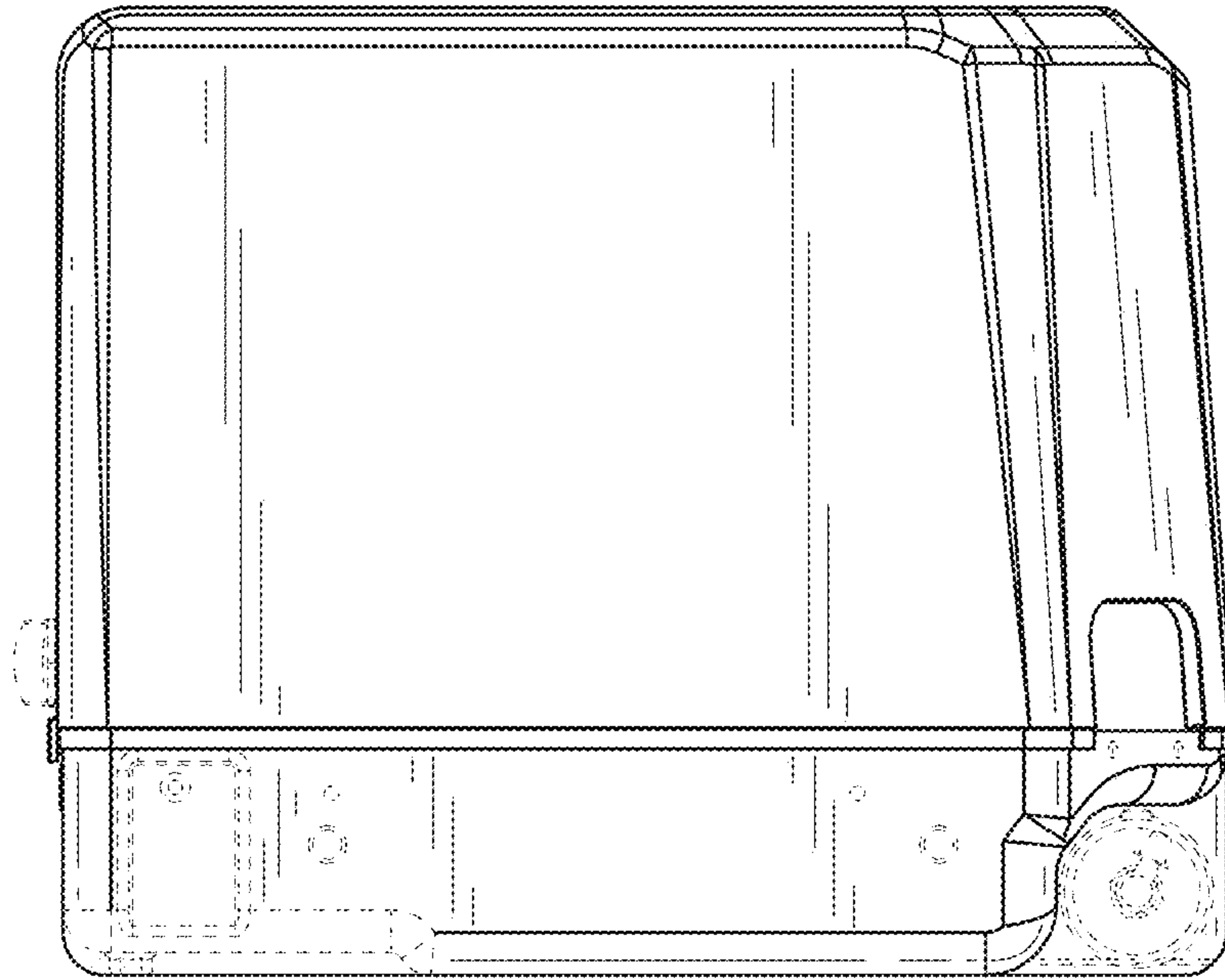




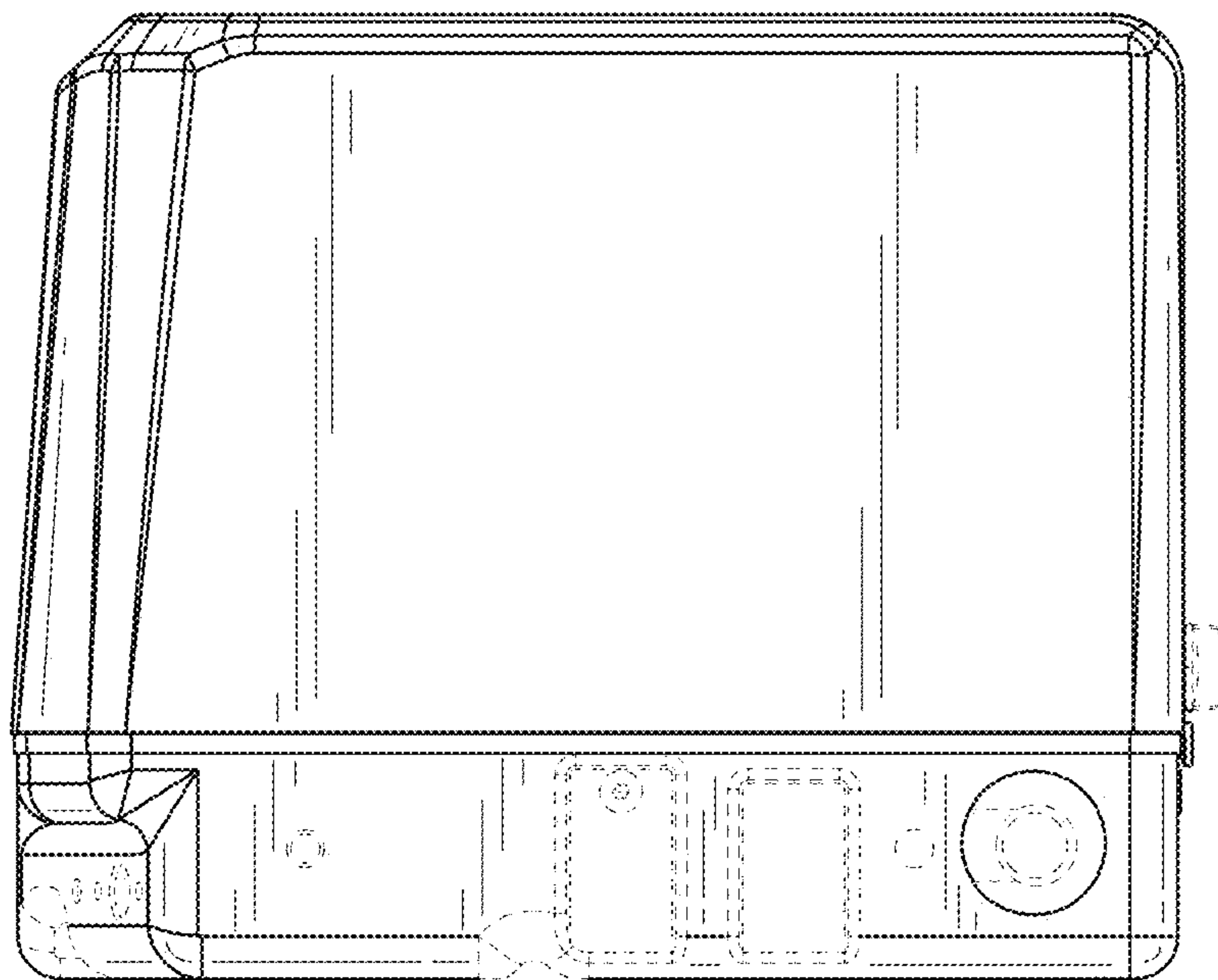
**FIG. 3**



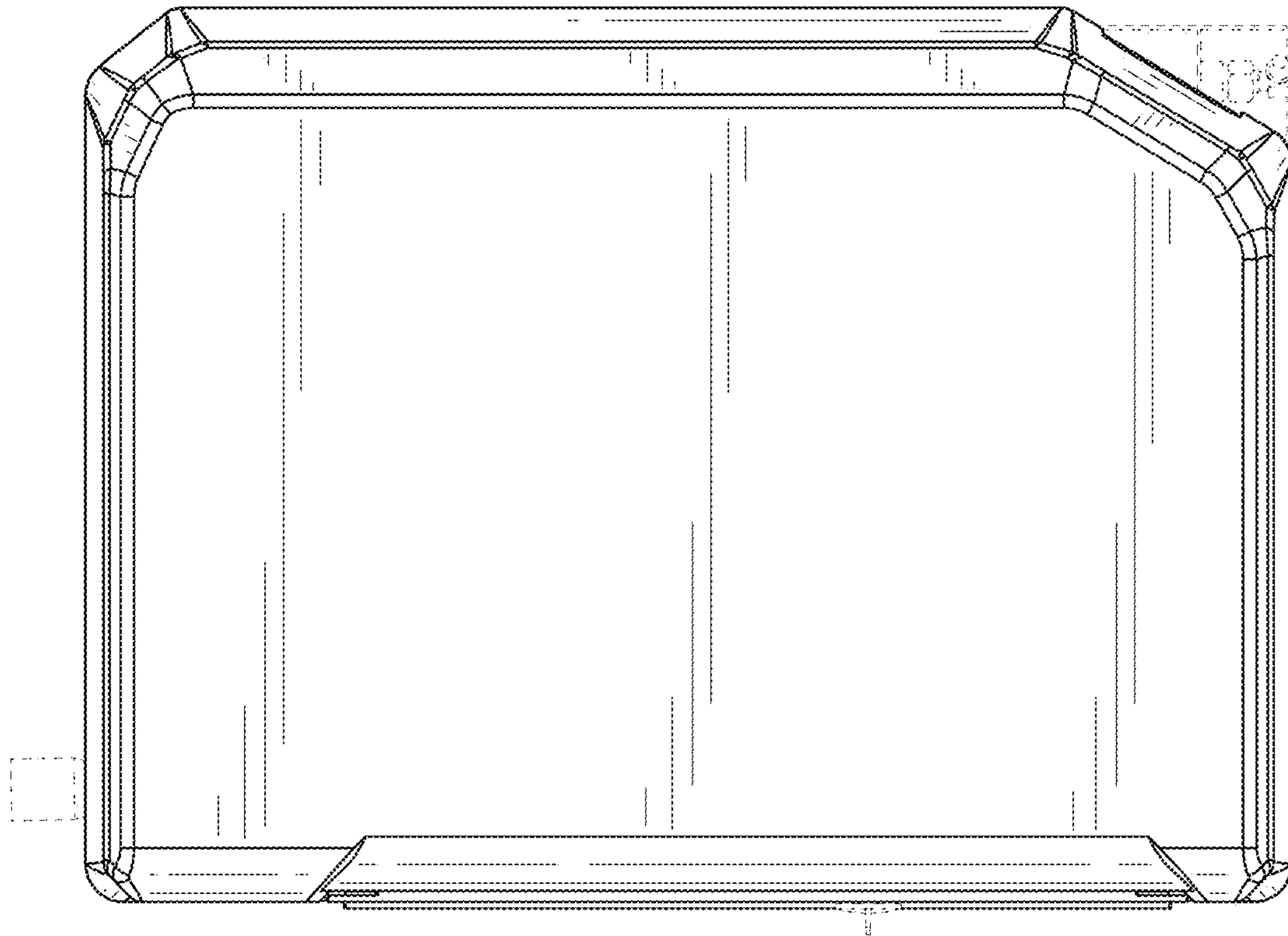
**FIG. 4**



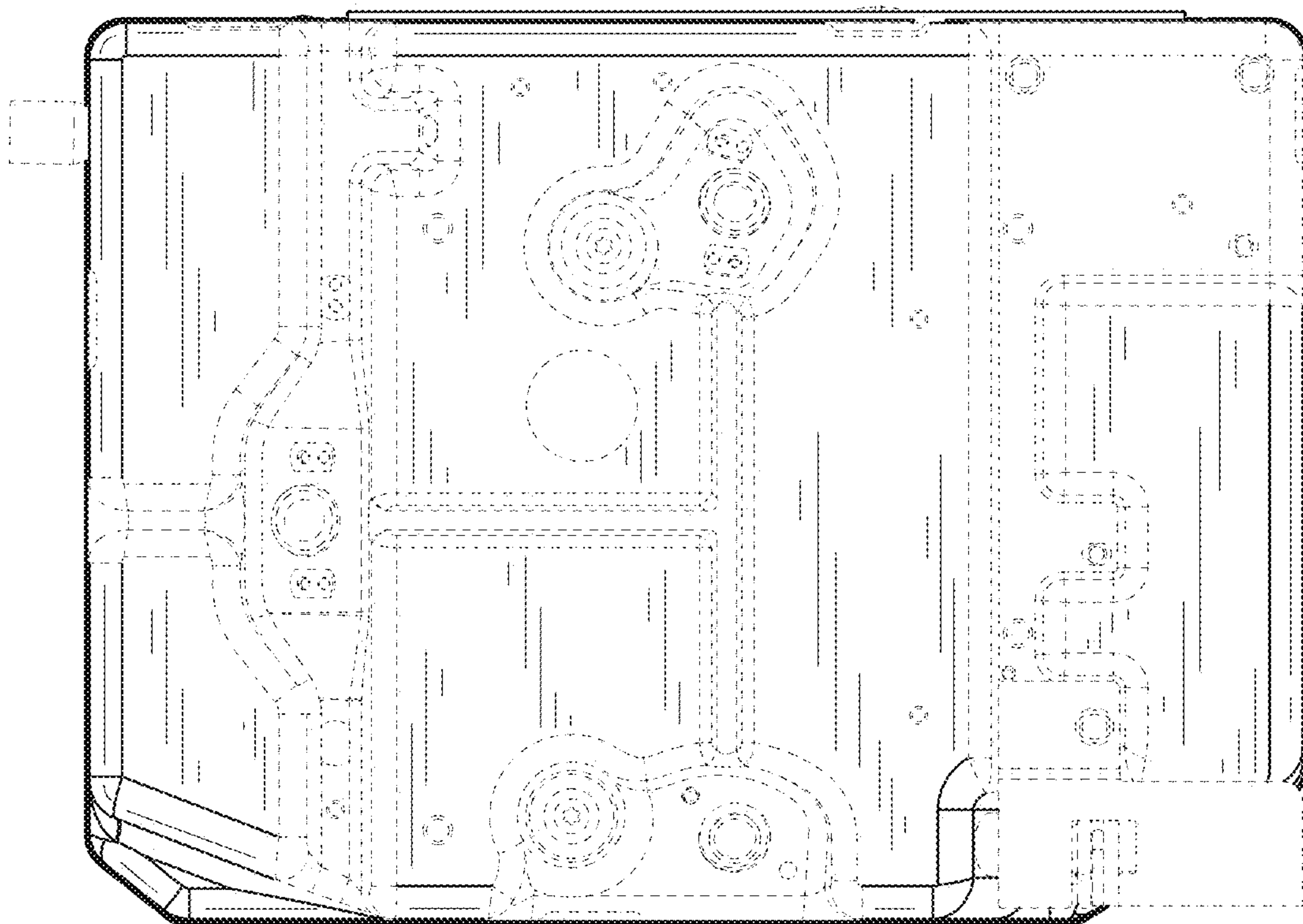
**FIG. 5**



**FIG. 6**



**FIG. 7**



**FIG. 8**