



US00D916019S

(12) **United States Design Patent**
Harris et al.

(10) **Patent No.:** **US D916,019 S**
(45) **Date of Patent:** **** Apr. 13, 2021**

(54) **ELECTRIC MOTOR**

(71) Applicant: **Genesis Robotics and Motion Technologies, LP**, Wichita, KS (US)

(72) Inventors: **Michael Harris**, Langley (CA); **James Klassen**, Surrey (CA); **Alex Posatskiy**, Langley (CA); **Jordan Pousett**, Surrey (CA); **Bradley Pope**, Langley (CA)

(73) Assignee: **Genesis Robotics and Motion Technologies, LP**, Wichita, KS (US)

(**) Term: **15 Years**

(21) Appl. No.: **29/707,079**

(22) Filed: **Sep. 26, 2019**

(30) **Foreign Application Priority Data**

Mar. 26, 2019	(EM)	006334215-0001
Mar. 26, 2019	(EM)	006334215-0002
Mar. 26, 2019	(EM)	006334215-0003
Mar. 26, 2019	(EM)	006334215-0004
Mar. 26, 2019	(EM)	006334215-0005
Mar. 26, 2019	(EM)	006334215-0006
Mar. 26, 2019	(EM)	006334215-0007
Mar. 26, 2019	(EM)	006334215-0008
Mar. 26, 2019	(EM)	006334215-0009

(51) **LOC (13) Cl.** **13-01**

(52) **U.S. Cl.**
USPC **D13/112**

(58) **Field of Classification Search**
USPC D13/103, 107, 108, 110, 112, 113, 114,
D13/117, 118, 119, 122, 184, 199;
D15/1, 5; D12/180; D23/411
(Continued)

(56) **References Cited**

U.S. PATENT DOCUMENTS

D221,081 S *	7/1971	Kahn	D13/110
D294,141 S *	2/1988	Ueda	D13/112

(Continued)

FOREIGN PATENT DOCUMENTS

CN	301033741	10/2009
CN	301048574	10/2009

(Continued)

OTHER PUBLICATIONS

“Genesis Robotics Motor”. Found online Sep. 10, 2020 at twitter.com. Reference dated Mar. 29, 2019. Retrieved from <https://twitter.com/RoboticsGenesis/status/1111687474625961985/photo/1> (Year: 2019).*

(Continued)

Primary Examiner — Kendra Leslie Hamilton

Assistant Examiner — Amanda Christensen

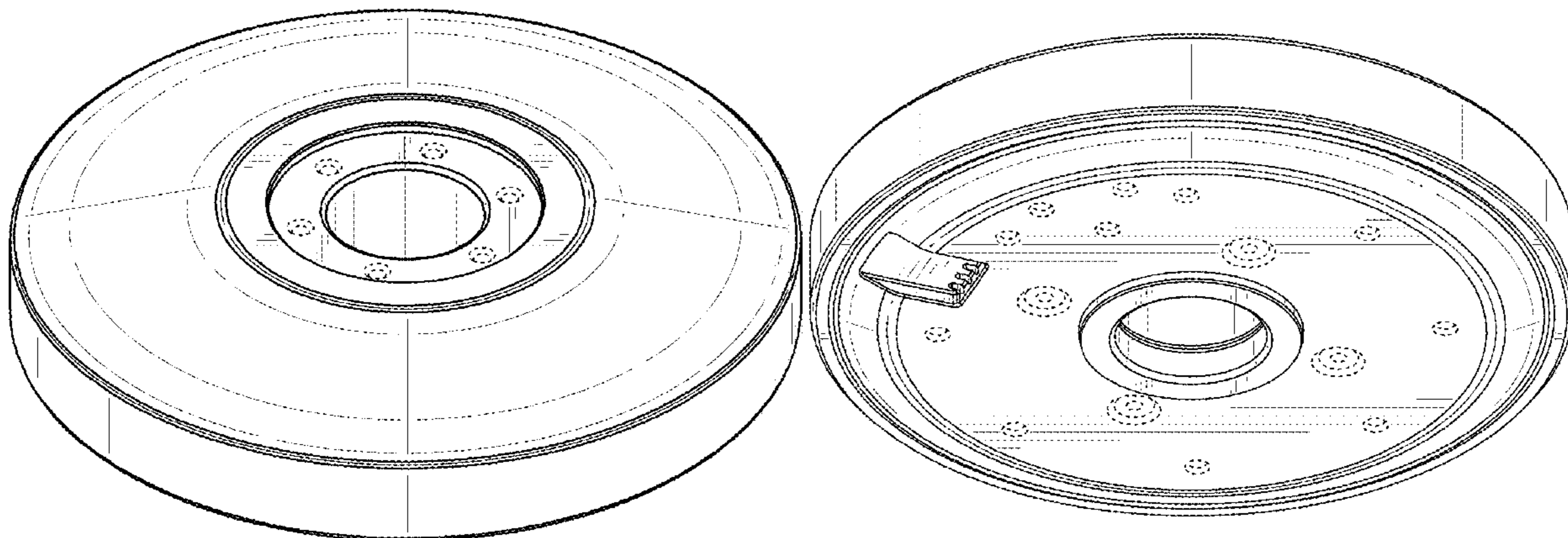
(57) **CLAIM**

The ornamental design for an electric motor, as shown and described.

DESCRIPTION

FIG. 1 is a front, top perspective view for an electric motor, showing the new design;
FIG. 2 is a rear, bottom perspective view thereof;
FIG. 3 is a top plan view thereof;
FIG. 4 is a bottom plan view thereof;
FIG. 5 is a front elevation view thereof;
FIG. 6 is a rear elevation view thereof;
FIG. 7 is a left side view thereof; and,
FIG. 8 is a cross sectional front elevation view of the electric motor of FIG. 1, taken in the direction of the line 8-8 of FIG. 3.
The equal-length broken lines depict portions of the electric motor that form no part of the claimed design.

1 Claim, 8 Drawing Sheets



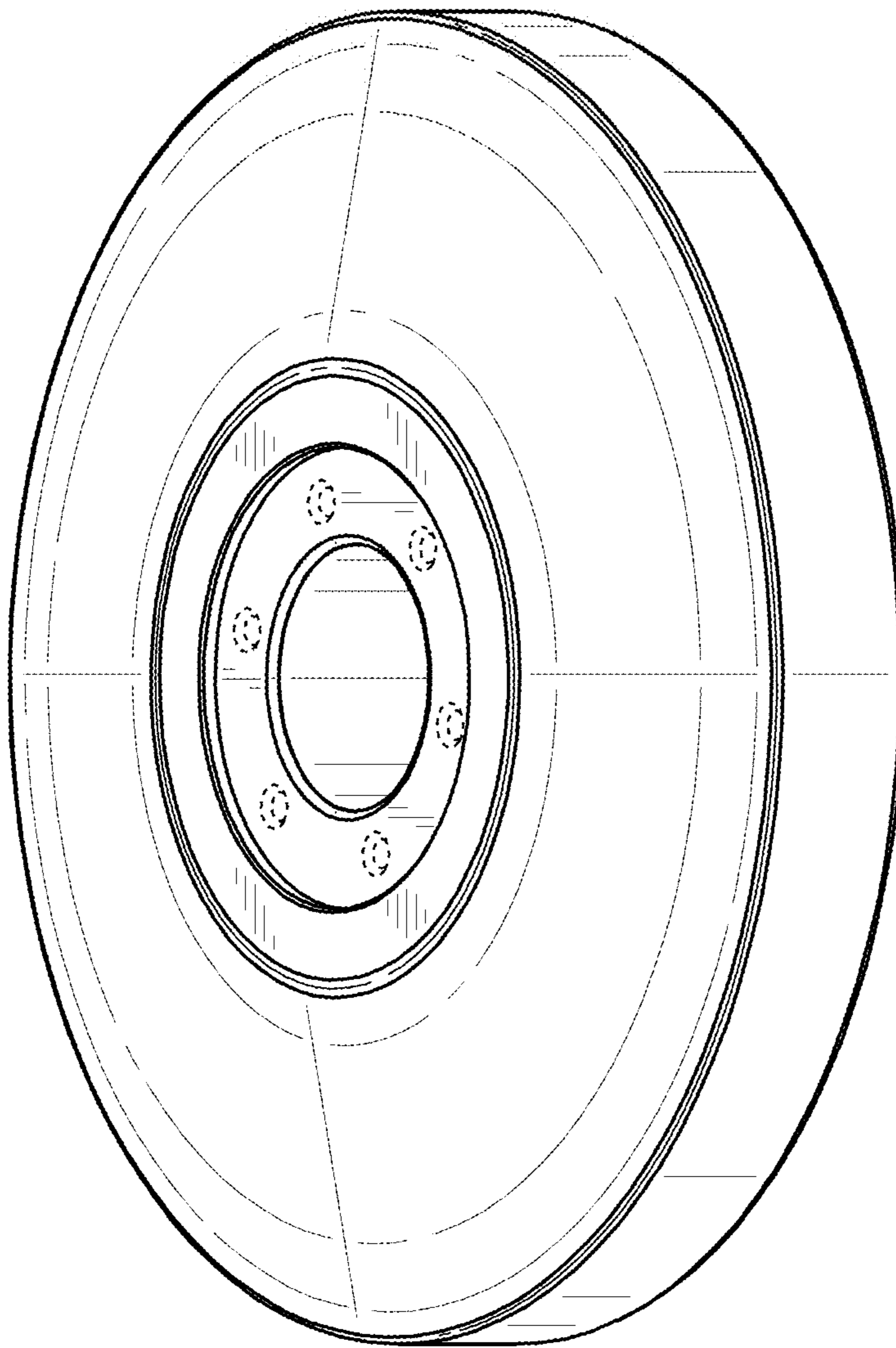


FIG. 1

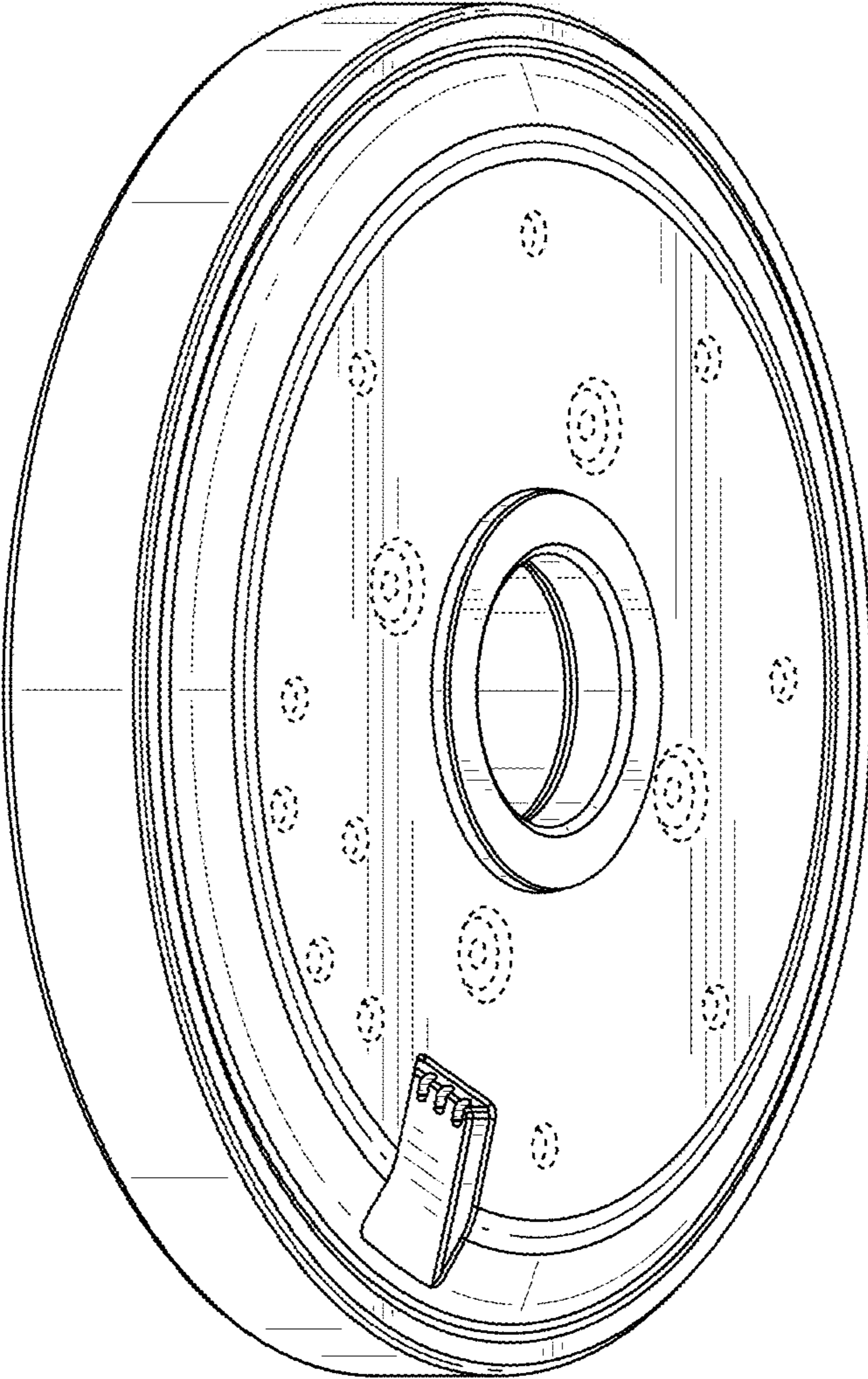


FIG. 2

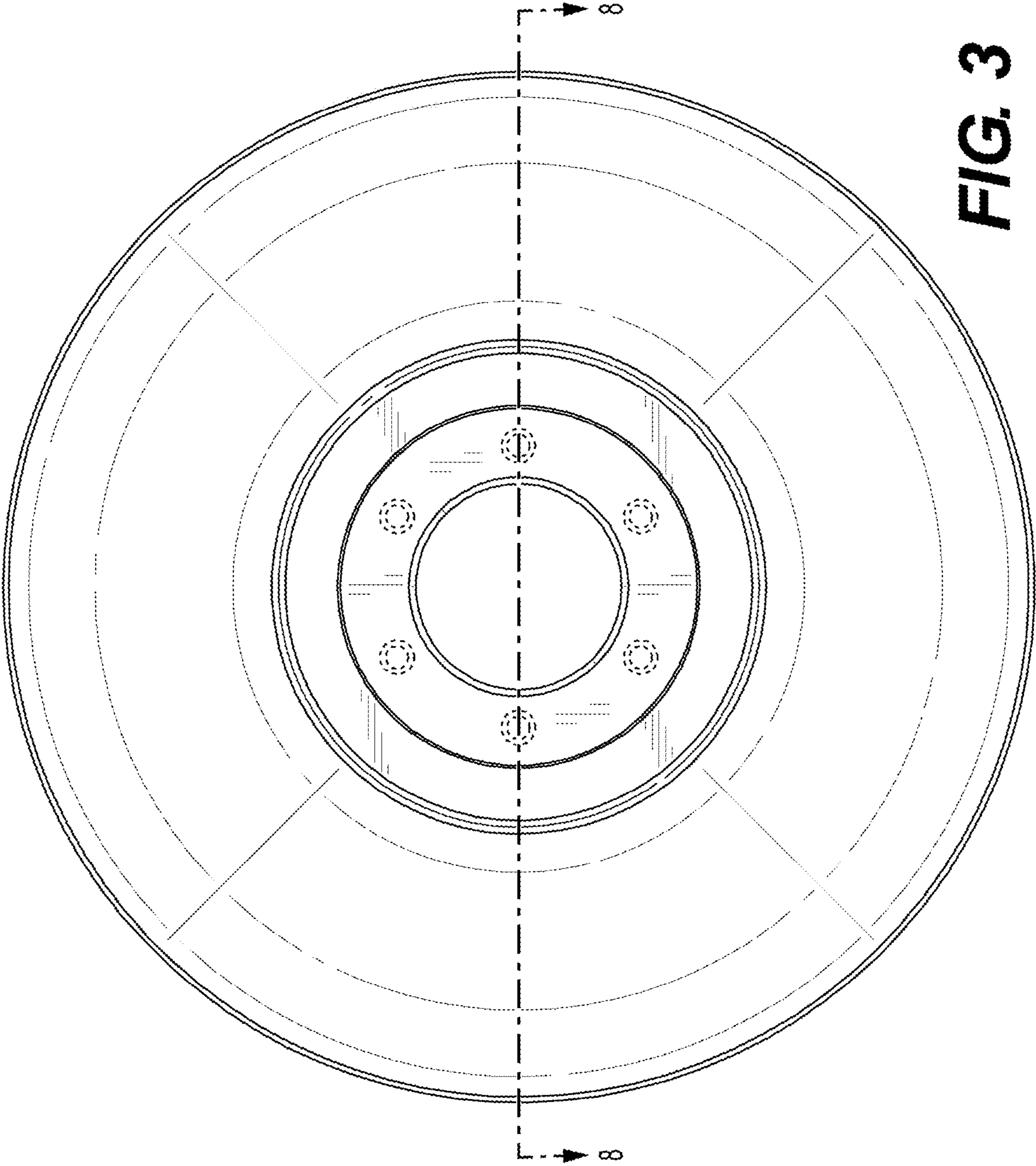


FIG. 3

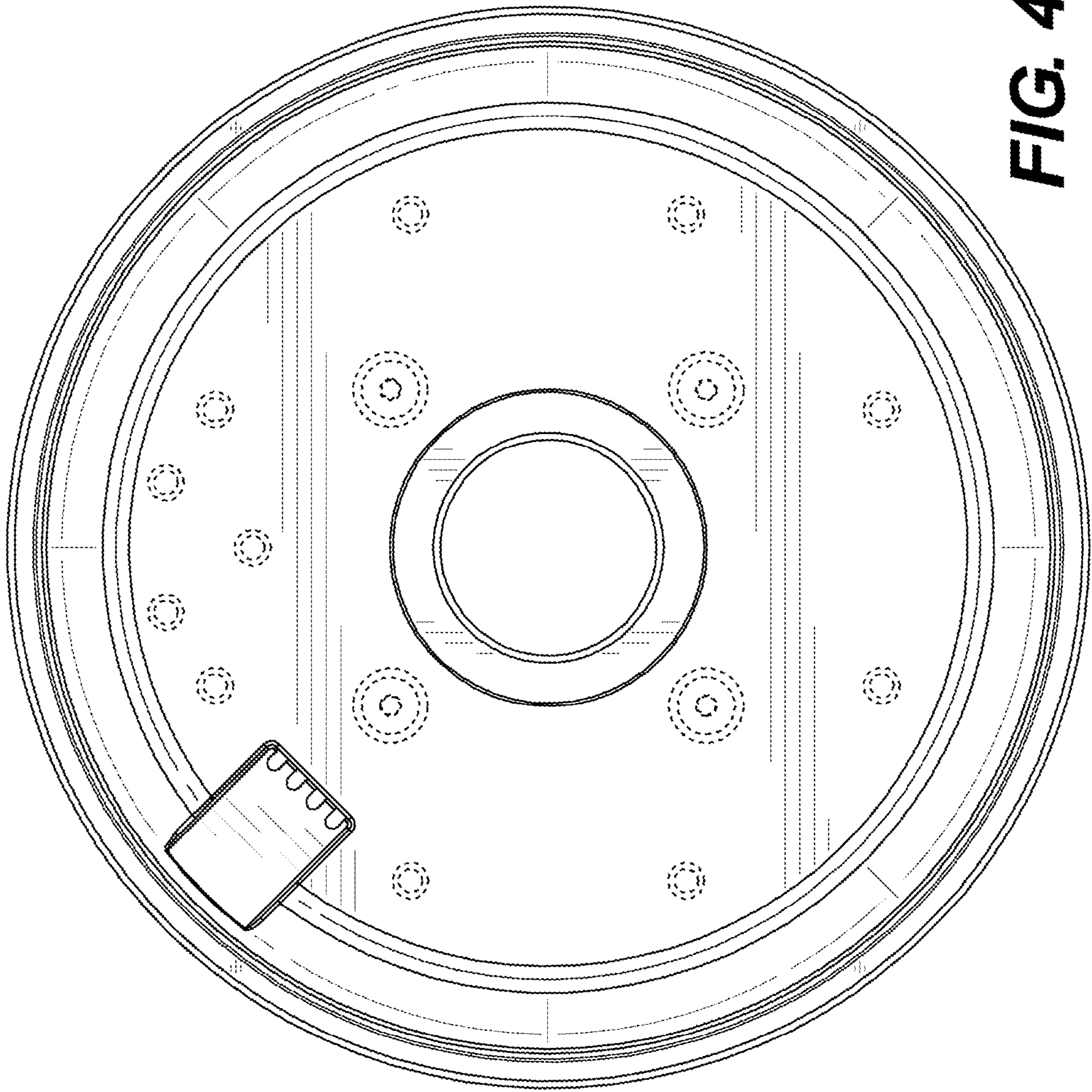


FIG. 4

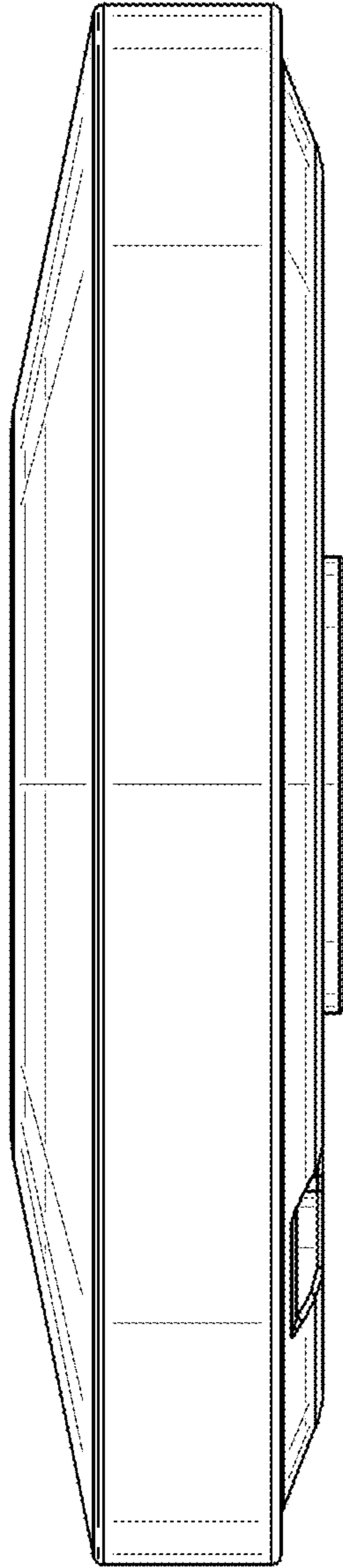


FIG. 5

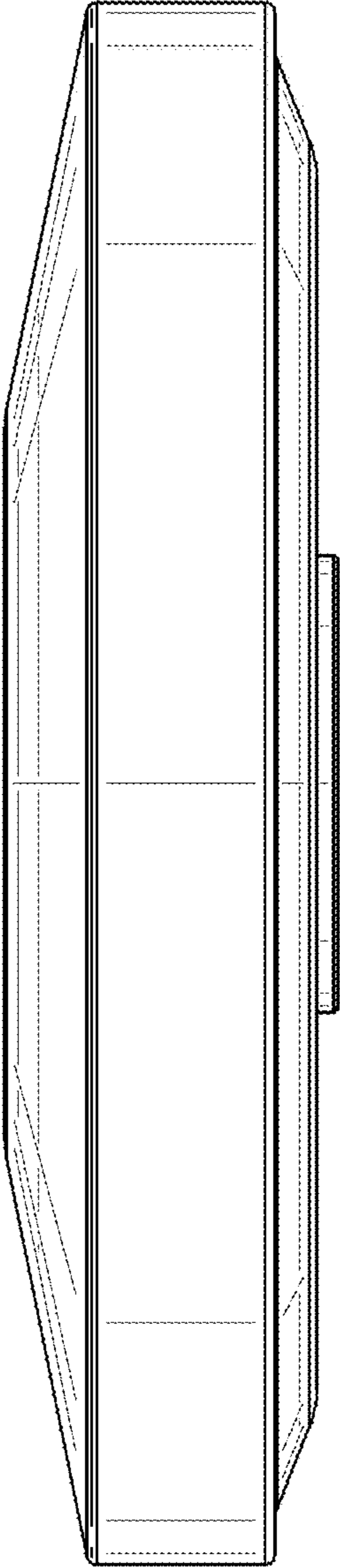


FIG. 6

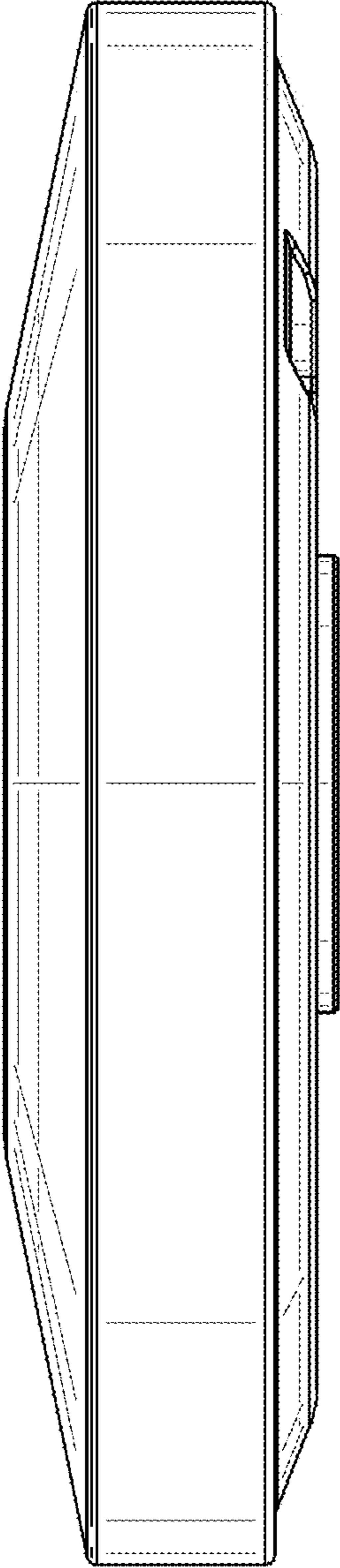


FIG. 7

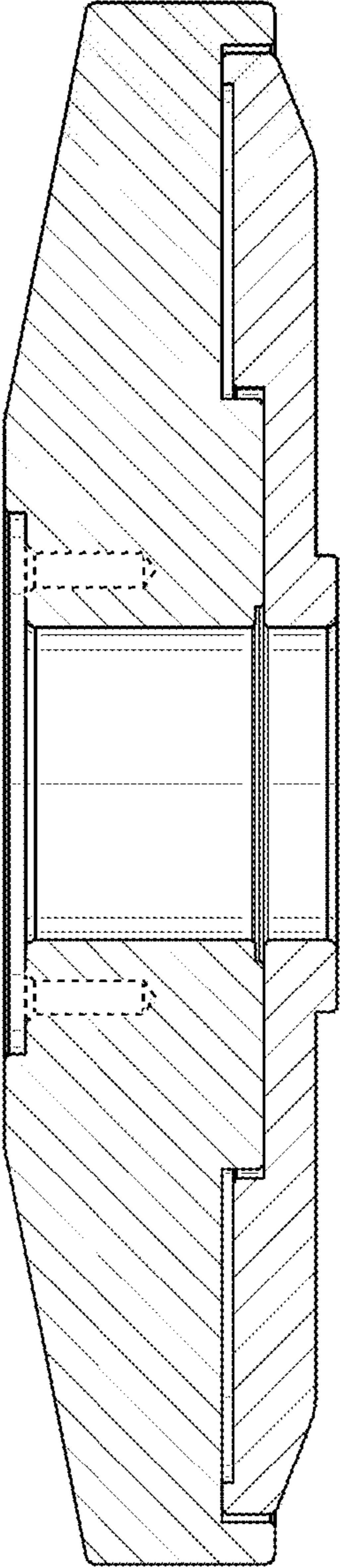


FIG. 8