



US00D916018S

(12) **United States Design Patent**  
**Minnich et al.**

(10) **Patent No.:** **US D916,018 S**  
(45) **Date of Patent:** **\*\* Apr. 13, 2021**

- (54) **CONCRETE VIBRATOR CAGE**
- (71) Applicant: **MINNICH MANUFACTURING COMPANY, INC.**, Mansfield, OH (US)
- (72) Inventors: **Robert Minnich**, Ashland, OH (US);  
**Paul Jaworski**, Shorewood, IL (US);  
**David Clute**, Valley City, OH (US)
- (73) Assignee: **MINNICH MANUFACTURING COMPANY, INC.**, Mansfield, OH (US)
- (\*\*) Term: **15 Years**
- (21) Appl. No.: **29/651,504**
- (22) Filed: **Aug. 20, 2018**
- (51) **LOC (13) Cl.** ..... **13-01**
- (52) **U.S. Cl.**  
USPC ..... **D13/112**
- (58) **Field of Classification Search**  
USPC ..... D13/112, 113, 114, 118, 122, 184, 199;  
D8/61, 69, 349; D15/1, 5, 7  
CPC ..... H02K 5/14; H02K 11/026  
See application file for complete search history.

(56) **References Cited**

**U.S. PATENT DOCUMENTS**

D236,898 S *	9/1975	Holther .....	D13/112
D264,972 S *	6/1982	McMillin .....	D15/7
D333,473 S *	2/1993	Aizawa .....	D15/5
D334,198 S *	3/1993	Aizawa .....	D15/5
D370,683 S *	6/1996	Stahlman .....	D15/7
D429,737 S *	8/2000	Kuan .....	D15/7
D516,583 S *	3/2006	Strong .....	D15/7
D622,215 S *	8/2010	Heimbruch et al.	
D803,155 S *	11/2017	Meyer .....	D13/112

D819,567 S \* 6/2018 Garvey ..... D13/112  
 2006/0125333 A1 \* 6/2006 Wehner ..... H02K 5/20  
 310/54  
 2012/0092948 A1 4/2012 Heimbruch et al.  
 (Continued)

**OTHER PUBLICATIONS**

Minnich website, Blog article, Published Feb. 14, 2018, [site visited Mar. 11, 2020], Available on the Internet URL <https://www.minnich-mfg.com/news/article/minnich-manufacturing-launches-stinger-flex-shaft-vibrator-at-world-of-concrete-2018> (Year: 2018).  
 (Continued)

*Primary Examiner* — Karen S Acker  
*Assistant Examiner* — Steven B Reinholdt, Jr.  
 (74) *Attorney, Agent, or Firm* — Vorys, Sater, Seymour and Pease LLP; Scott M. Guttman

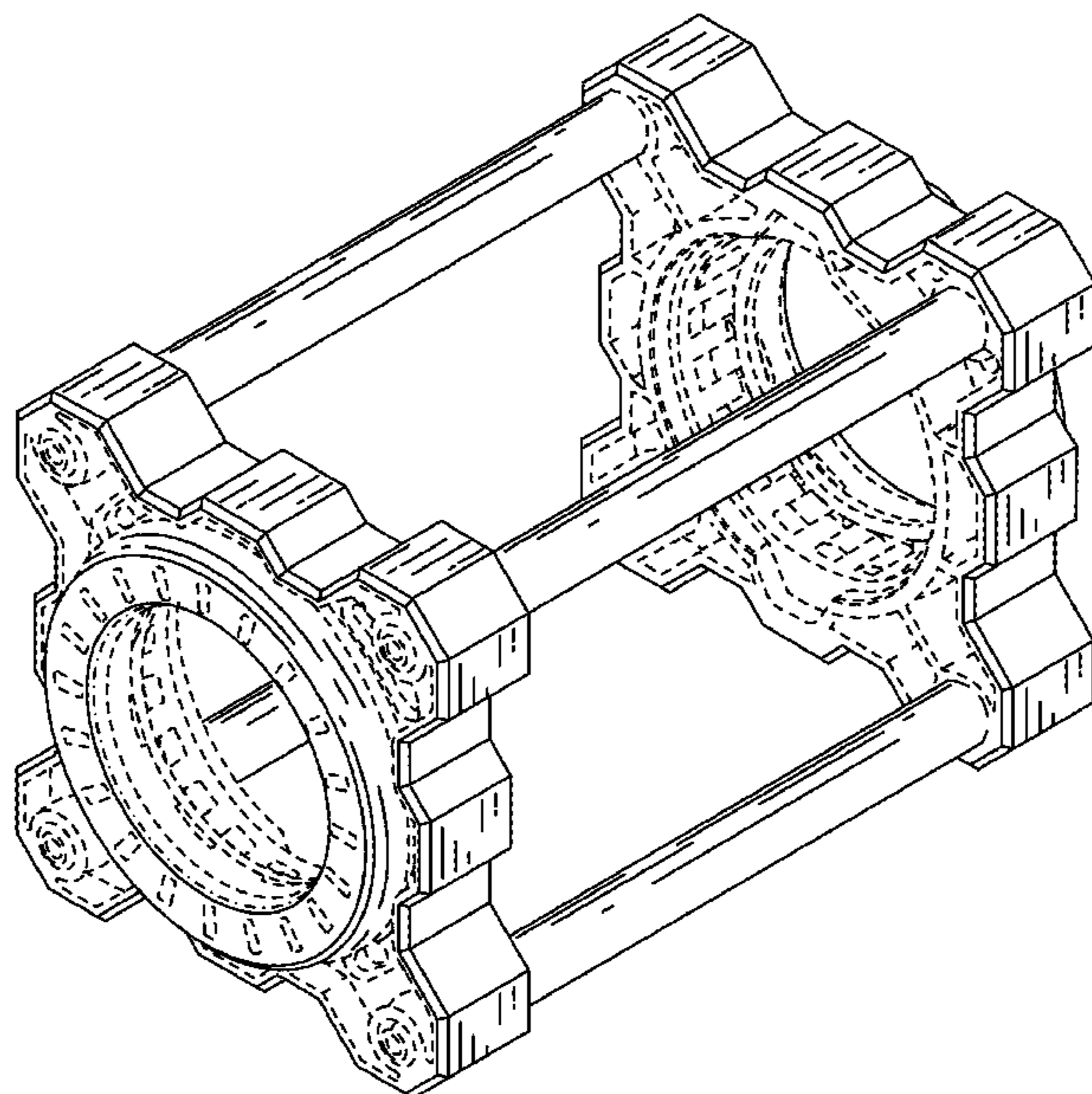
(57) **CLAIM**

The ornamental design for a concrete vibrator cage, as shown and described.

**DESCRIPTION**

FIG. 1 is a perspective view of a concrete vibrator cage showing our new design;  
 FIG. 2 is a left side view thereof;  
 FIG. 3 is a right side view thereof;  
 FIG. 4 is a front view thereof;  
 FIG. 5 is a back view thereof;  
 FIG. 6 is a top view thereof; and,  
 FIG. 7 is a bottom view thereof.  
 The dashed lines used in FIGS. 1, 2, and 3 depict portions of the concrete vibrator cage that form no part of the claimed design. The broken lines shown in FIGS. 1 and 4-7 are environmental only and form no part of the claimed design. The dot-dash-dot broken lines depict the boundaries of the claim and portions of the concrete vibrator cage that form no part of the claimed design.  
 The interior surfaces adjacent to and opposite the beveled edge planes form no part of the claimed design.

**1 Claim, 5 Drawing Sheets**



(56)

**References Cited**

U.S. PATENT DOCUMENTS

2019/0207465 A1\* 7/2019 Jaworski ..... H02K 5/14

OTHER PUBLICATIONS

Construction Equipment website, Published Jan. 29, 2018, [site visited Mar. 11, 2020], Available on the Internet URL <https://www.constructionequipment.com/minnich-stinger-concrete-vibrator> (Year: 2018).\*

Construction for Pros, Minnich Vibrator, Published Dec. 15, 2017, [site visited Mar. 11, 2020], Available on the Internet <https://www.forconstructionpros.com/concrete/equipment-products/vibrating-equipment/product/20986167/minnich-mfg-inc-minnich-stinger-electric-flex-shaft-concrete-vibrator#&gid=1&pid=1> (Year: 2017).\*

Minnich website, Blog article, Published Dec. 12, 2018, [site visited Mar. 11, 2020], Available on the Internet URL <https://www.minnich-mfg.com/news/article/the-use-of-controlled-frequency-vibration-cfv-technology-and-its-applications-in-construction-continue-to-grow> (Year: 2018).\*

MQ MultiQuip CV Series Vibrator Motor Operation and Parts Manual—Rev. #1 (Apr. 9, 2018).

Minnich Concrete Vibrators & Dowel Pin Drills. Flex Shaft Vibrators, Electric and Gasoline Specification Sheets. 4 pages.

MQ MultiQuip Flex-Shaft Vibrators. 5 pages. <http://www.multiquip.com/multiquip/flex-shaft-vibrators.htm>. Sep. 12, 2018.

Northrock Industries—Electric Vibrators. 3 pages. <http://www.northrockindustries.com/ElectricVibrators>. Sep. 12, 2018.

Oztec Products. Concrete Vibrating Motors—Electric. 1 page. [http://www.ortec.com/electric\\_power\\_units.htm](http://www.ortec.com/electric_power_units.htm). Sep. 12, 2018.

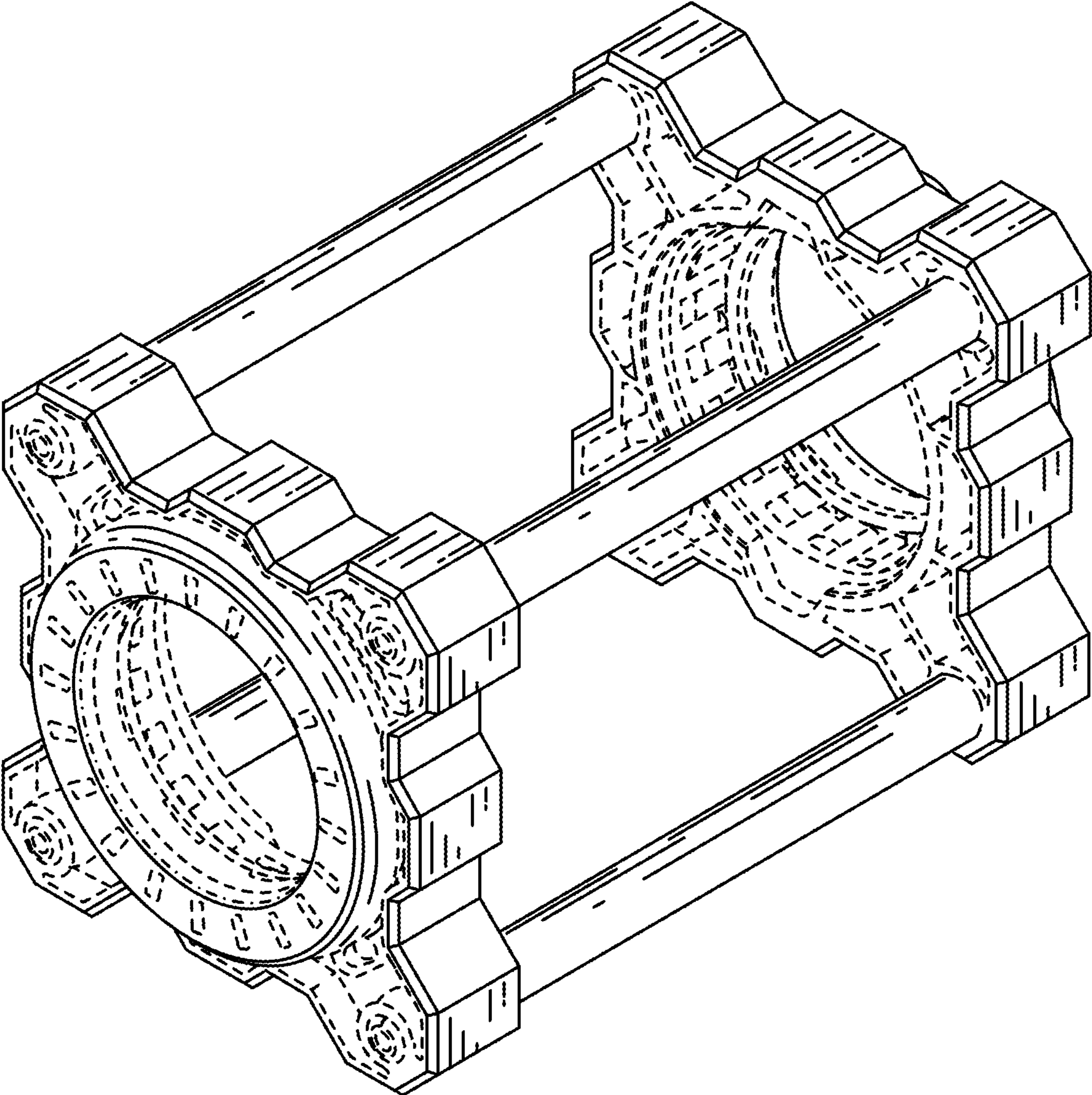
Wacker Neuson HMS. Modular Internal Vibrators For More Flexibility. 2 pages. <http://www.wackerneuson.us/en/products/concrete-technology/internal-vibrators/basic-line-internal-vibrators/>. Sep. 12, 2018.

Badger Meter. 995 Electric Motor Vibrator. 6 pages. <https://www.badgermeter.com/business-lines/wyco/995-electric-motor-vibrator?sizeunitid=d86d4cfa2b9b4d83af417427f1443512&sizeminvalue=-2147483648&sizemaxvalue=2147483647>. Sep. 12, 2018.

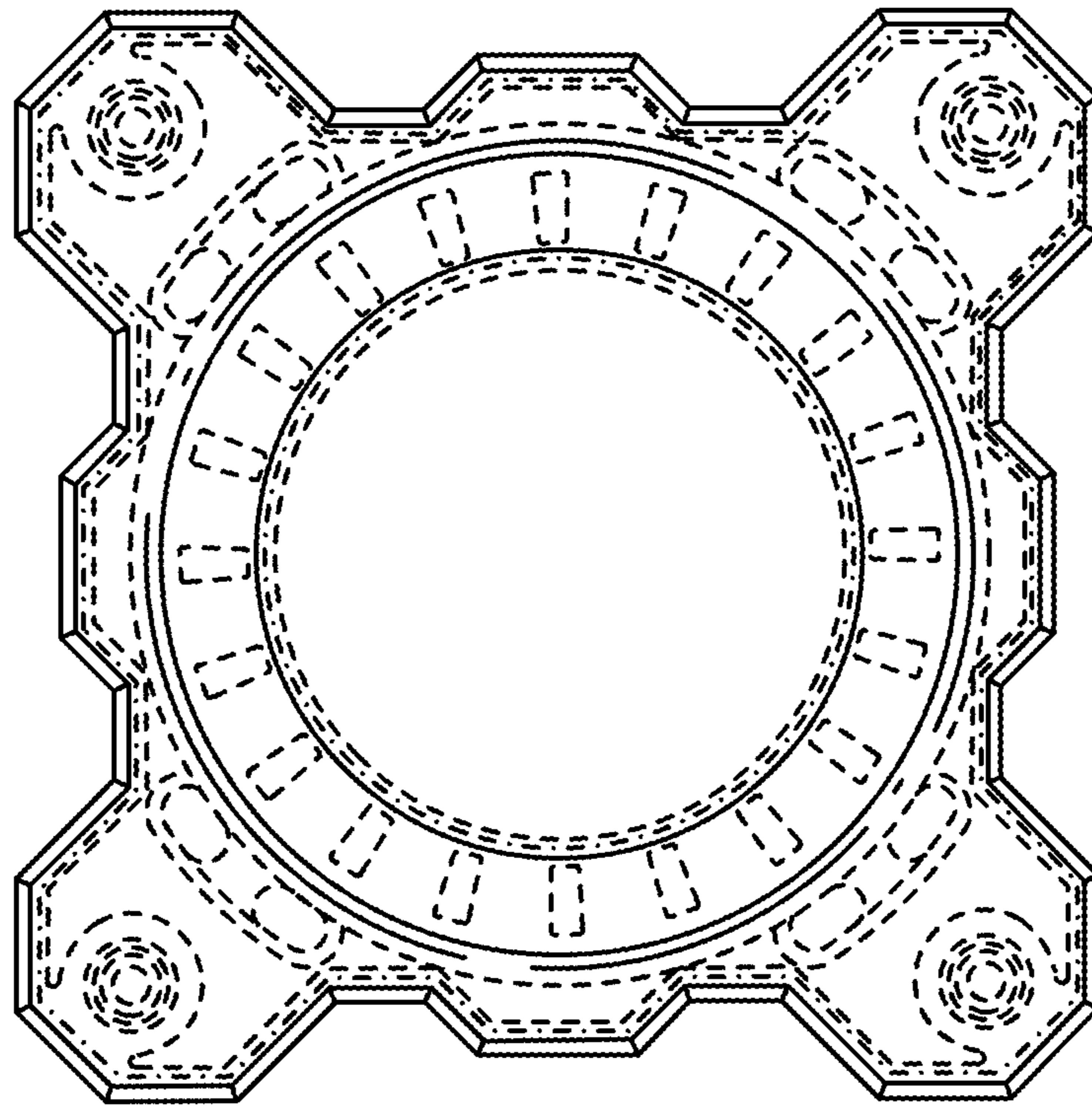
Wyco Flex Shaft Concrete Vibrators. Sure Speed 2.0 and 995 User Manual. VBR-UM-02653-EN-02 (May 2018). 20 pages.

\* cited by examiner

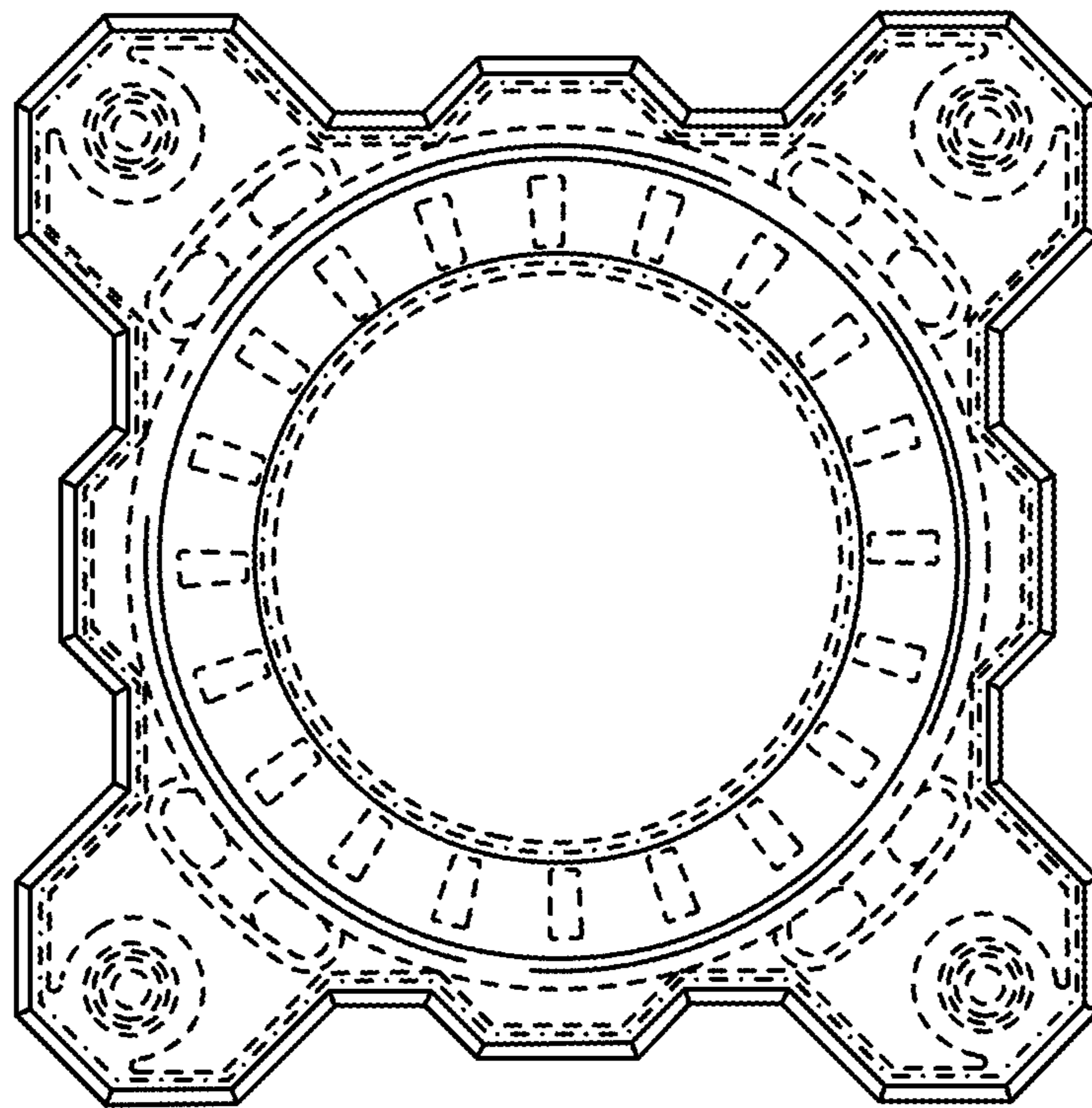




**FIG. 1**



**FIG. 2**



**FIG. 3**

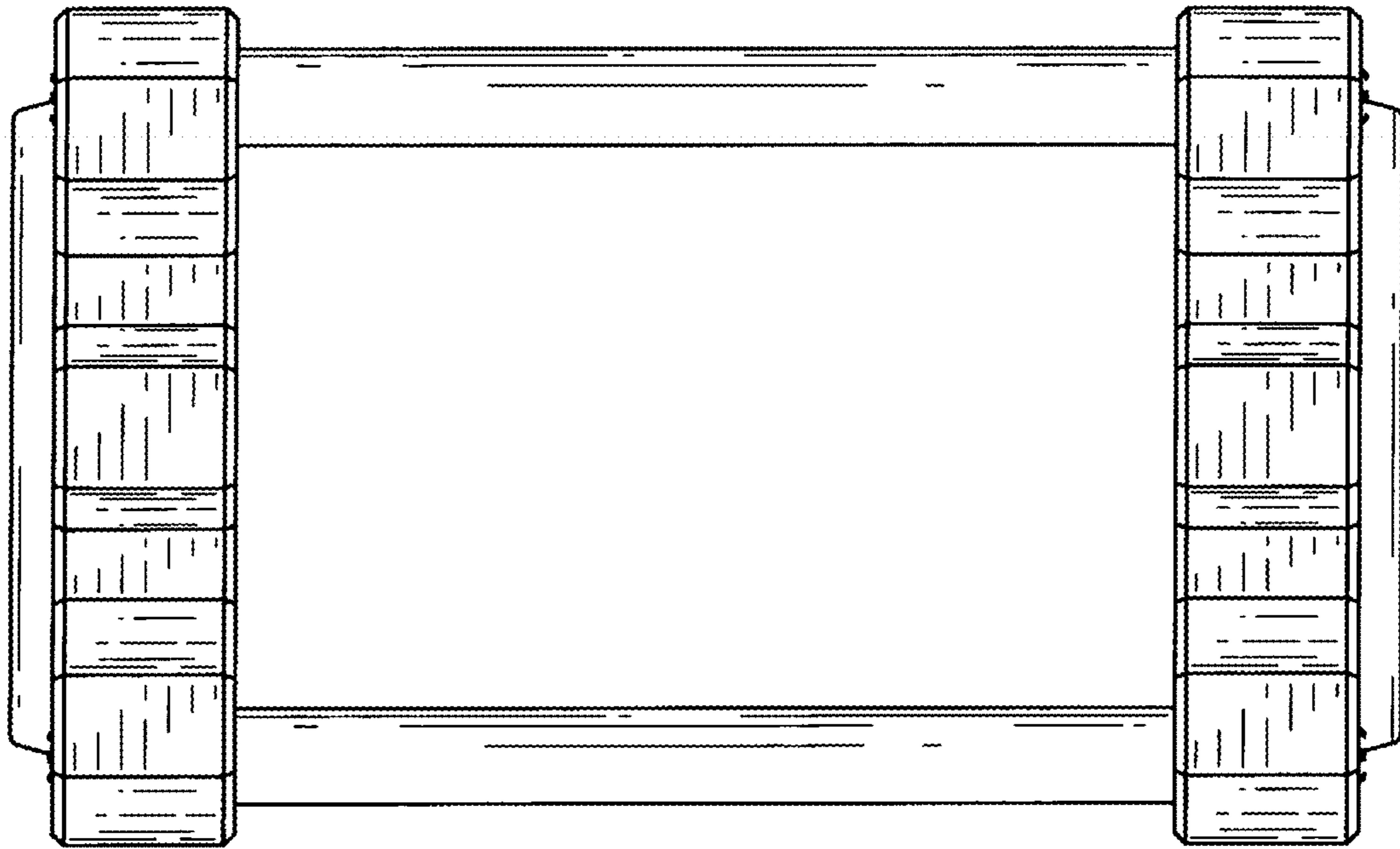


FIG. 4

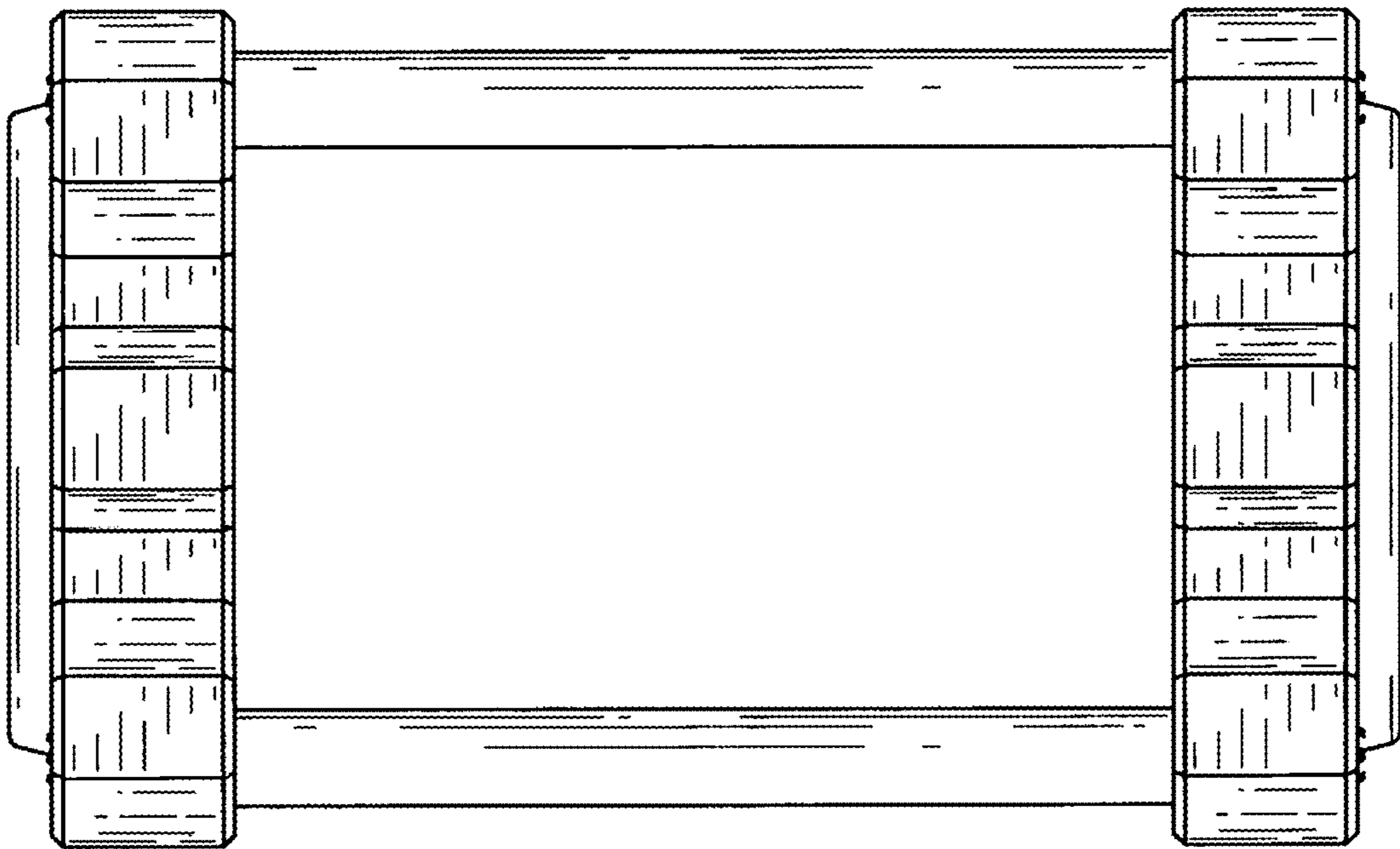


FIG. 5



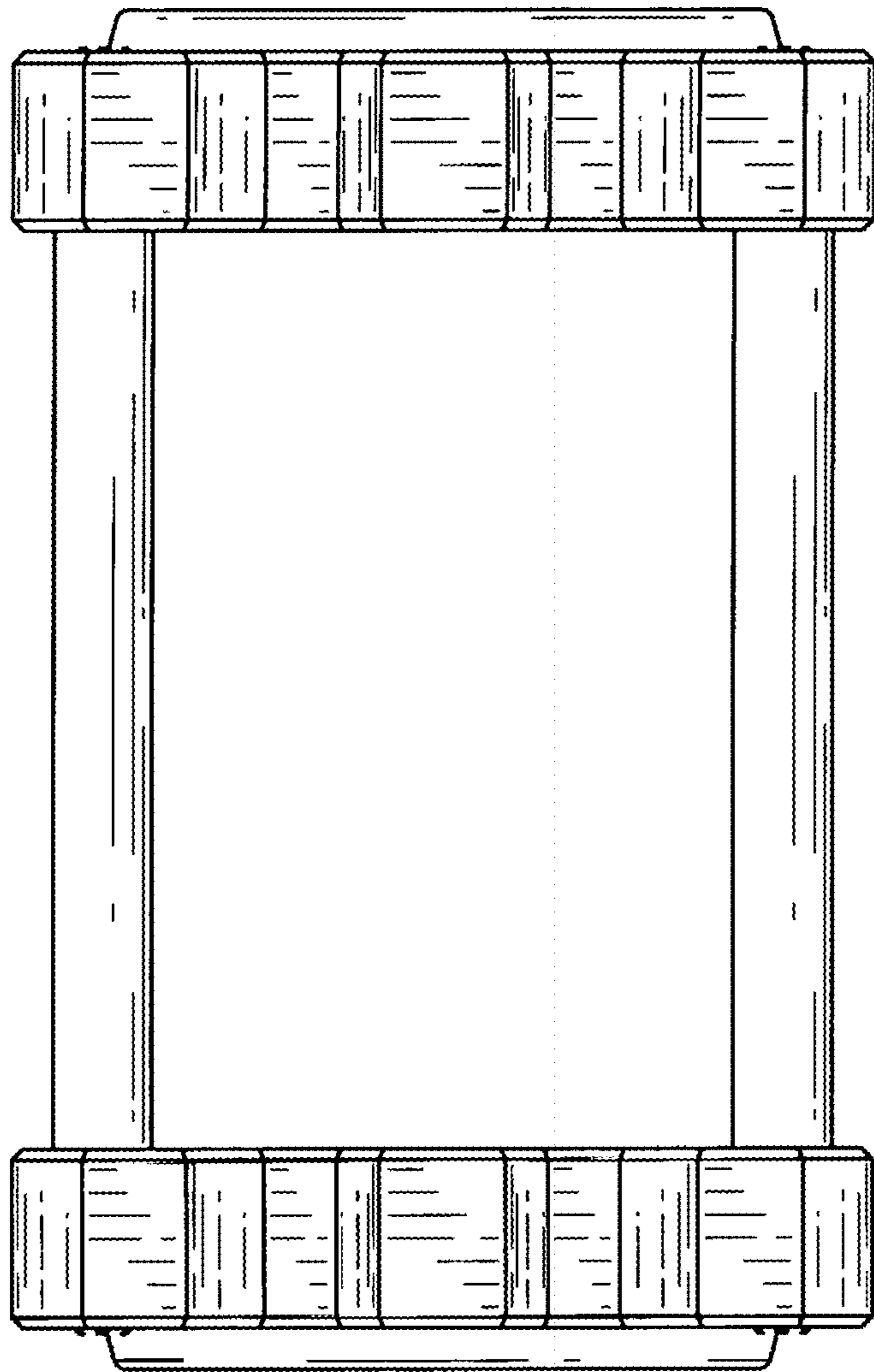


FIG. 6

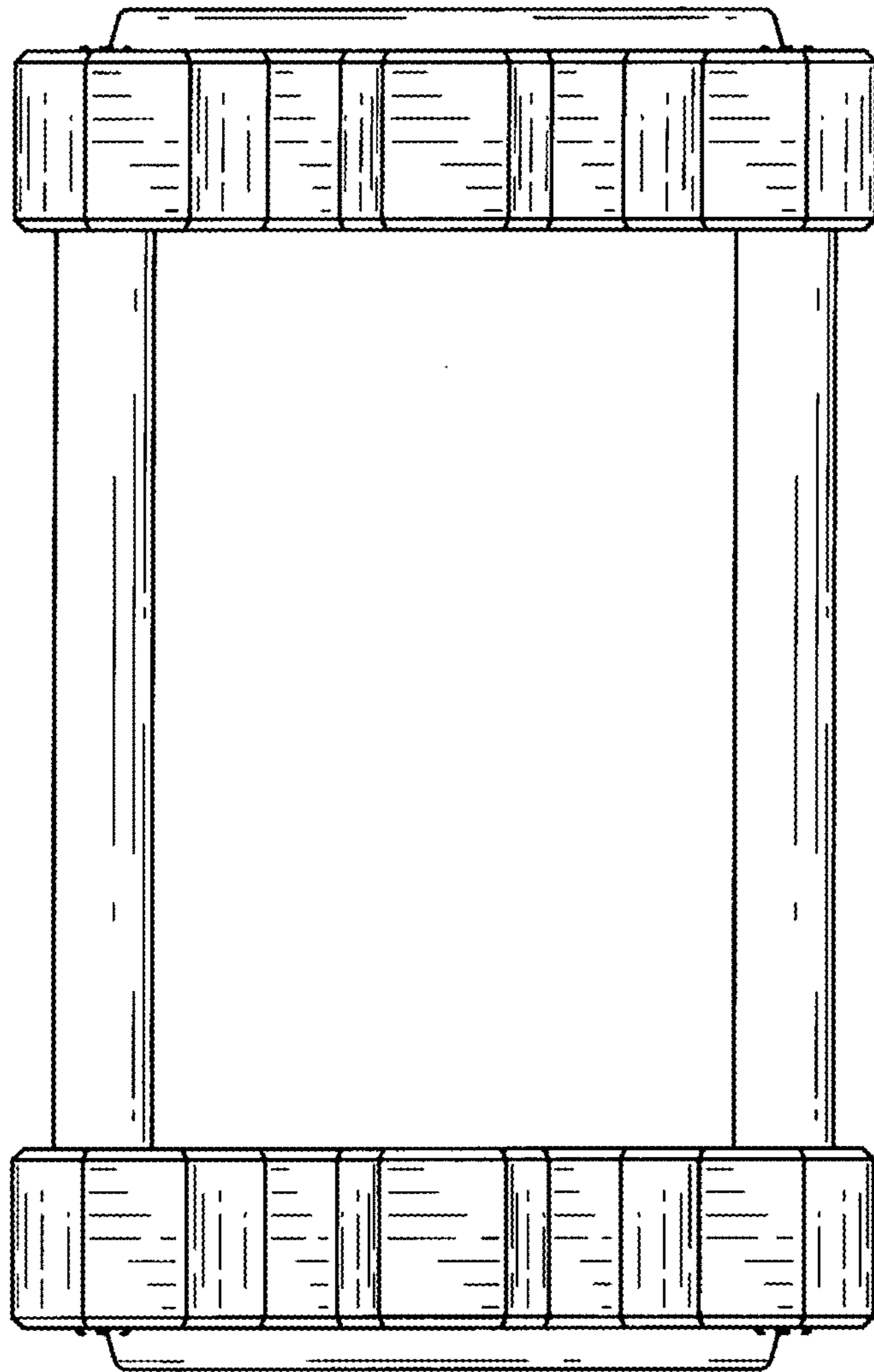


FIG. 7