



US00D916017S

(12) **United States Design Patent** (10) **Patent No.:** **US D916,017 S**  
**Miyata et al.** (45) **Date of Patent:** **\*\* Apr. 13, 2021**

(54) **VACUUM GENERATOR**  
(71) Applicant: **ULVAC KIKO, INC.**, Miyazaki (JP)  
(72) Inventors: **Kazuaki Miyata**, Miyazaki (JP);  
**Souichirou Nishigama**, Miyazaki (JP);  
**Shuuichi Yonenaga**, Miyazaki (JP);  
**Yasuhiro Hashimoto**, Miyazaki (JP);  
**Hiroshi Hayashi**, Miyazaki (JP)  
(73) Assignee: **ULVAC KIKO, INC.**, Miyazaki (JP)  
(\*\*) Term: **15 Years**  
(21) Appl. No.: **29/678,484**  
(22) Filed: **Jan. 29, 2019**

D579,870 S \* 11/2008 Dunbar ..... D13/110  
D711,825 S \* 8/2014 Wilson ..... D13/112  
D726,134 S \* 4/2015 Prendes ..... D13/184  
D737,764 S \* 9/2015 Janos ..... D13/110  
D777,125 S \* 1/2017 Eder ..... D13/184  
D824,330 S \* 7/2018 Hao ..... D13/110  
D832,210 S \* 10/2018 Janos ..... D13/110  
D852,743 S \* 7/2019 Nakayama ..... D13/112  
D852,744 S \* 7/2019 Nakayama ..... D13/112  
D853,965 S \* 7/2019 Nakayama ..... D13/112  
D853,966 S \* 7/2019 Nakayama ..... D13/112  
D866,493 S \* 11/2019 Brooks ..... D13/184  
D874,414 S \* 2/2020 Adams ..... D13/184  
D880,438 S \* 4/2020 Adams ..... D13/184  
D884,651 S \* 5/2020 Adams ..... D13/152  
2002/0158603 A1 \* 10/2002 Chang ..... H02J 7/0042  
320/107  
2013/0315761 A1 \* 11/2013 Milhau ..... F04F 5/52  
417/426

(Continued)

(30) **Foreign Application Priority Data**  
Aug. 2, 2018 (JP) ..... 2018-017011  
(51) **LOC (13) Cl.** ..... **13-02**  
(52) **U.S. Cl.**  
USPC ..... **D13/110**  
(58) **Field of Classification Search**  
USPC ..... D13/107, 108, 110–118, 122, 133, 146,  
D13/147, 153, 154, 184, 199  
CPC ..... H01R 13/00; H01R 13/424; H01R 13/64;  
H01R 4/00; H01R 11/00; H01R 31/06;  
H01R 24/38; H02J 3/38; H02J 7/0042;  
H02J 7/0045; H02J 7/0052  
See application file for complete search history.

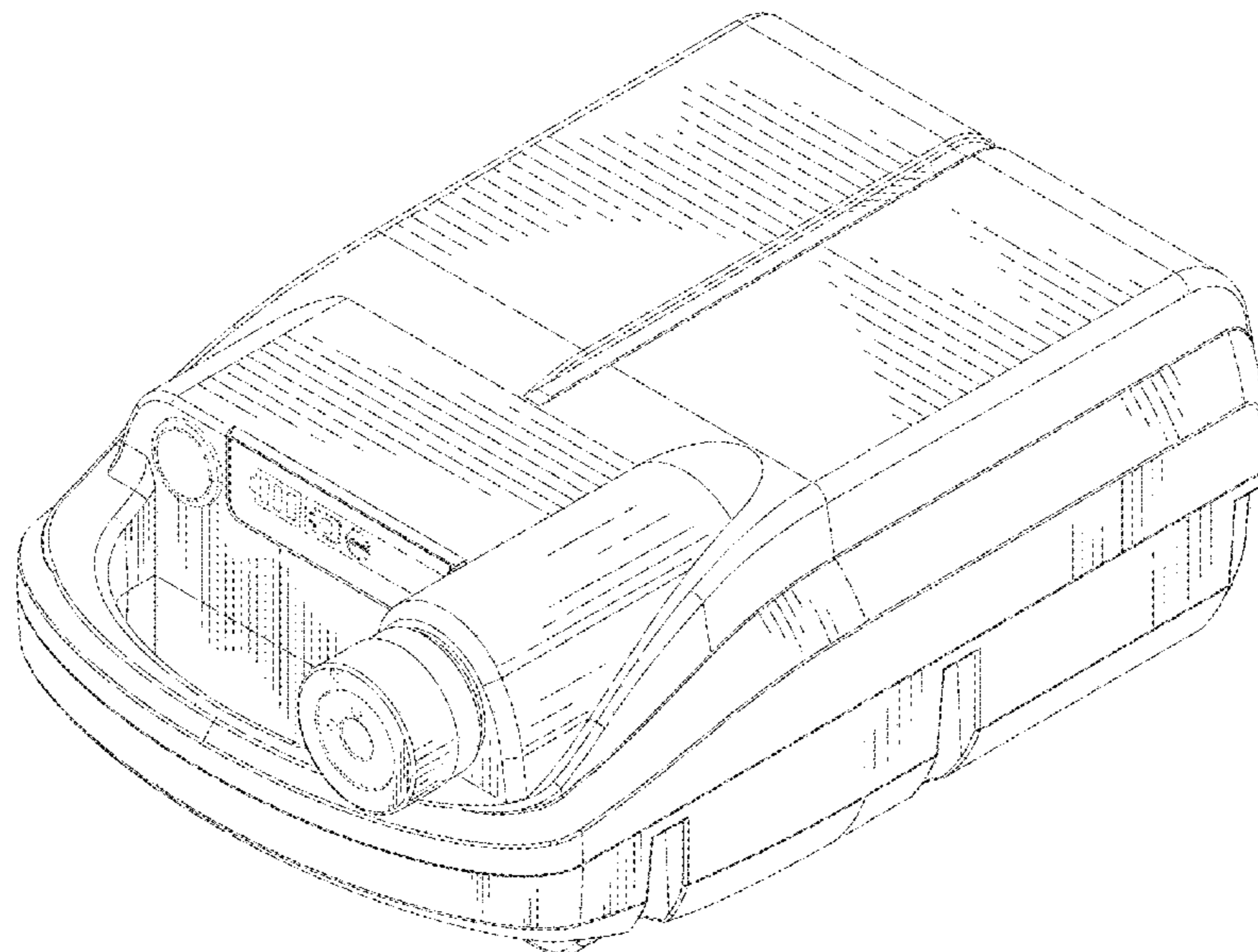
*Primary Examiner* — Catherine S Posthauer  
*Assistant Examiner* — Alison M Ofstun  
(74) *Attorney, Agent, or Firm* — Saliwanchik, Lloyd & Eisenschenk

(56) **References Cited**  
U.S. PATENT DOCUMENTS  
4,915,245 A \* 4/1990 Wouters ..... A47L 5/18  
15/409  
D444,125 S \* 6/2001 Shy ..... D13/110  
6,675,048 B2 \* 1/2004 McGraw ..... A61P 19/08  
607/51

(57) **CLAIM**  
The ornamental design for a vacuum generator, as shown and described.

**DESCRIPTION**  
FIG. 1 is a perspective view of a vacuum generator showing our new design;  
FIG. 2 is a front elevational view thereof;  
FIG. 3 is a rear elevational view thereof;  
FIG. 4 is a right side elevational view thereof;  
FIG. 5 is a left side elevational view thereof;  
FIG. 6 is a top plan view thereof; and,  
FIG. 7 is a bottom plan view thereof.  
In the drawings, the broken lines represent portions of the article which form no part of the claimed design.

**1 Claim, 7 Drawing Sheets**



(56)

**References Cited**

U.S. PATENT DOCUMENTS

2015/0118071 A1\* 4/2015 Wu ..... F04F 5/46  
417/187  
2019/0257310 A1\* 8/2019 Kraft ..... F04C 25/02

\* cited by examiner

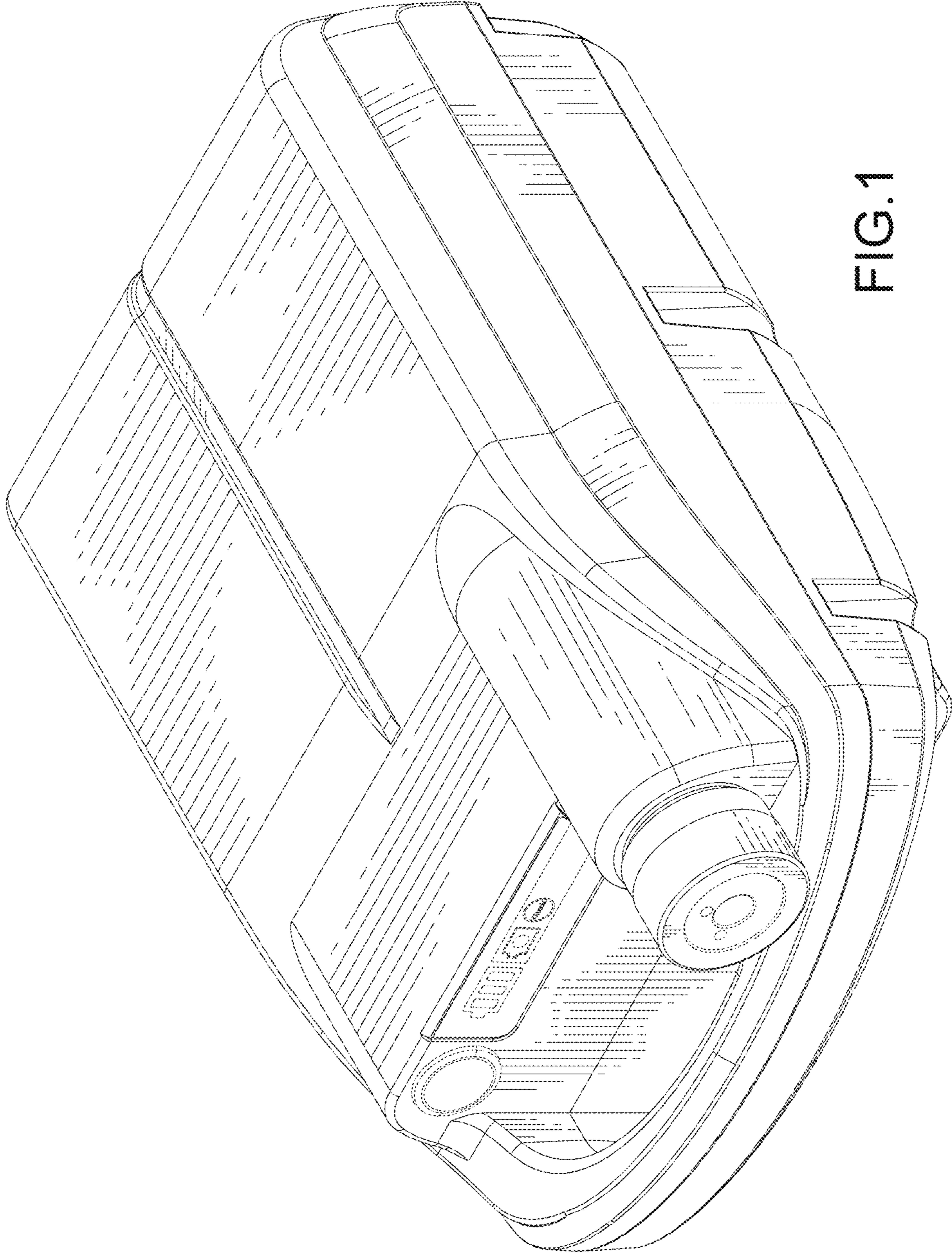


FIG. 1

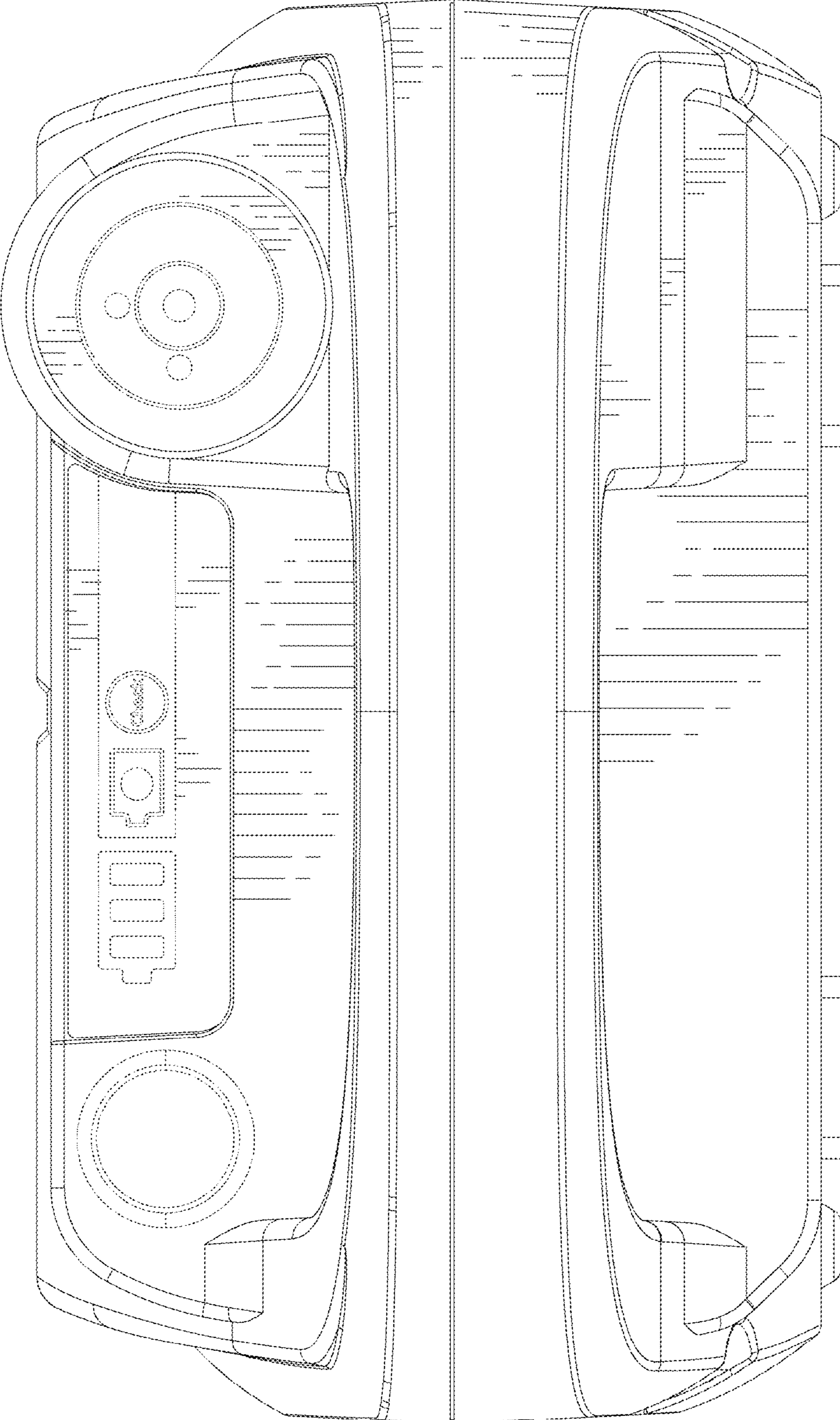


FIG.2

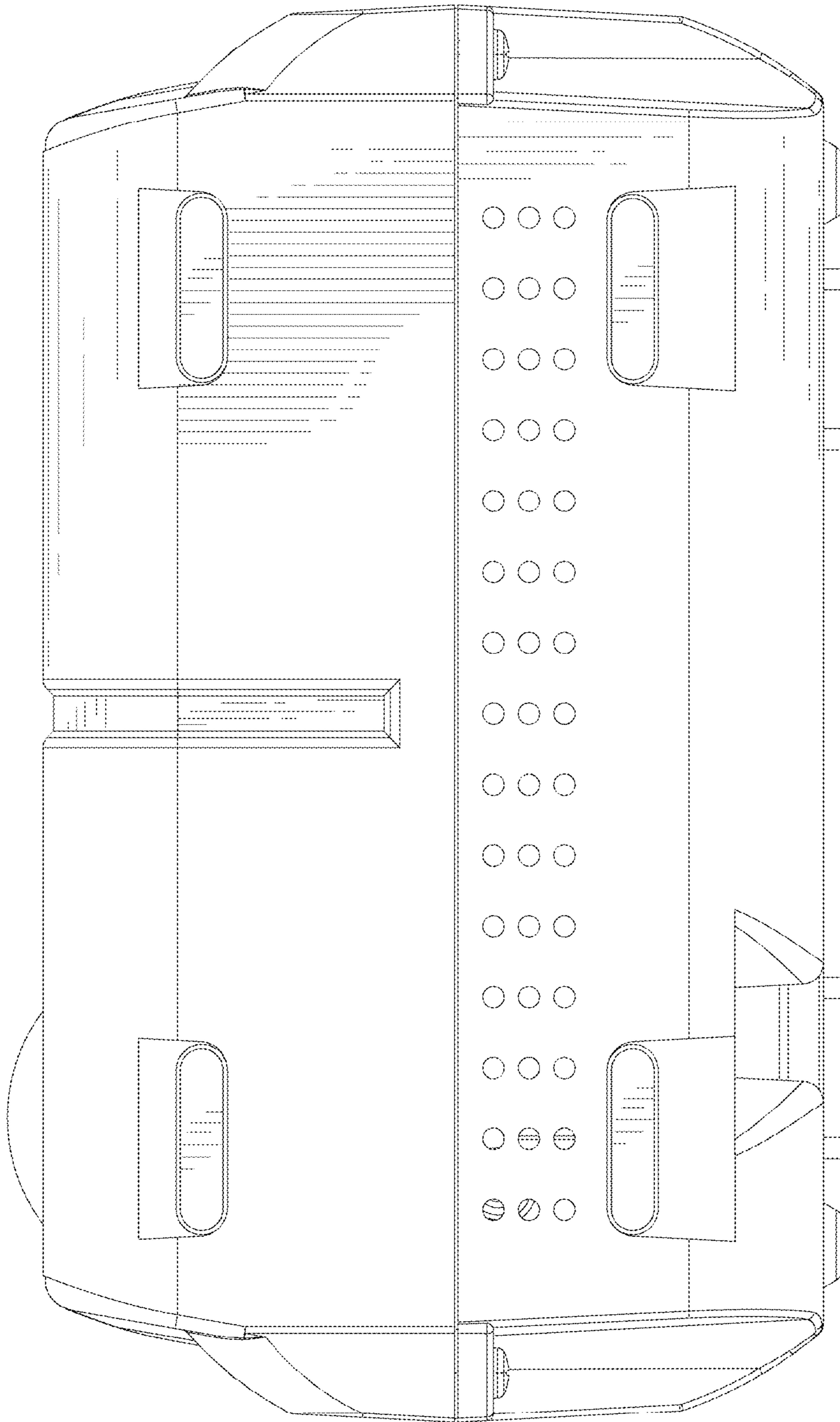


FIG.3

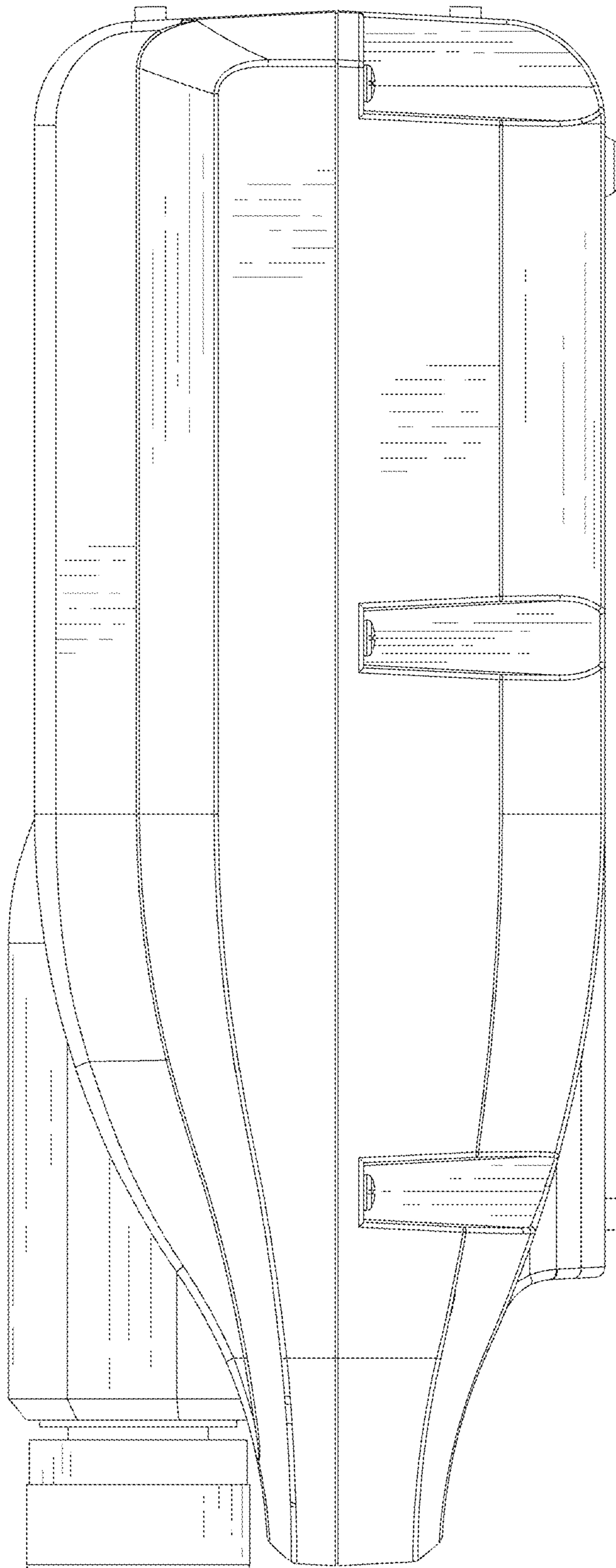


FIG.4

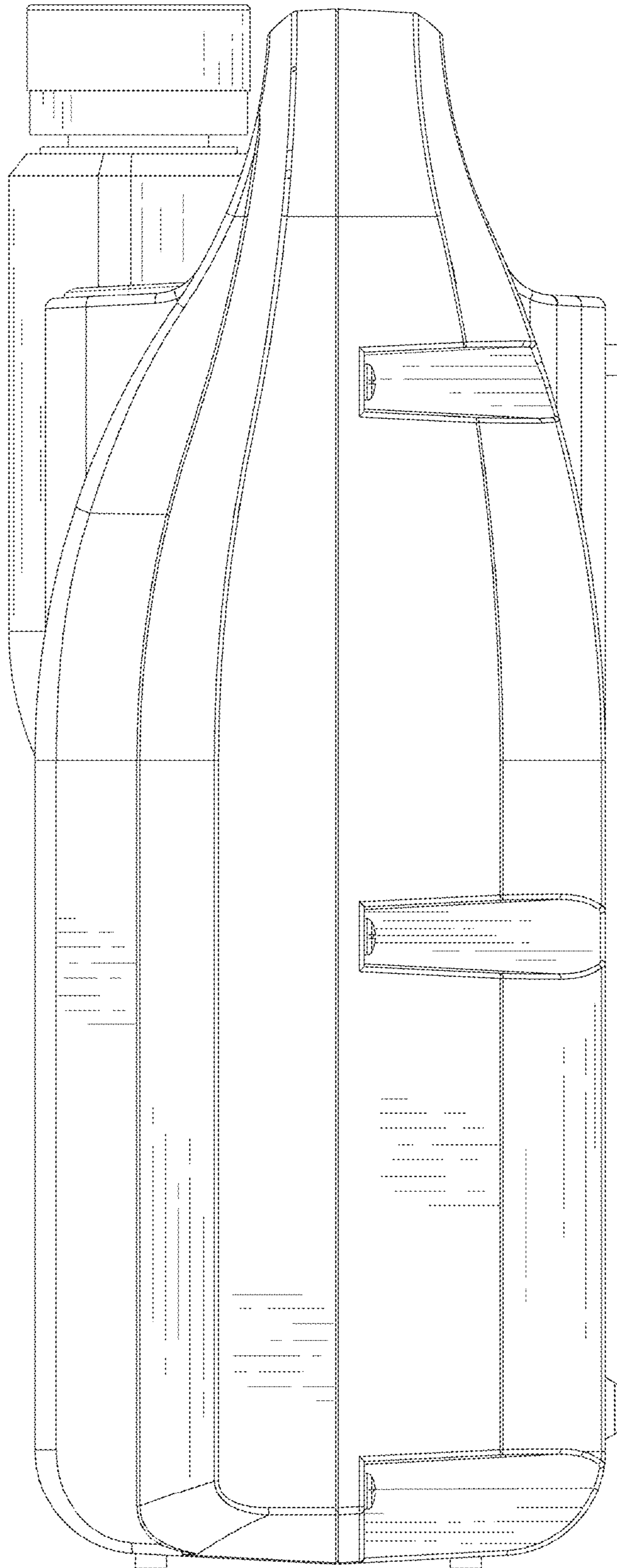


FIG. 5

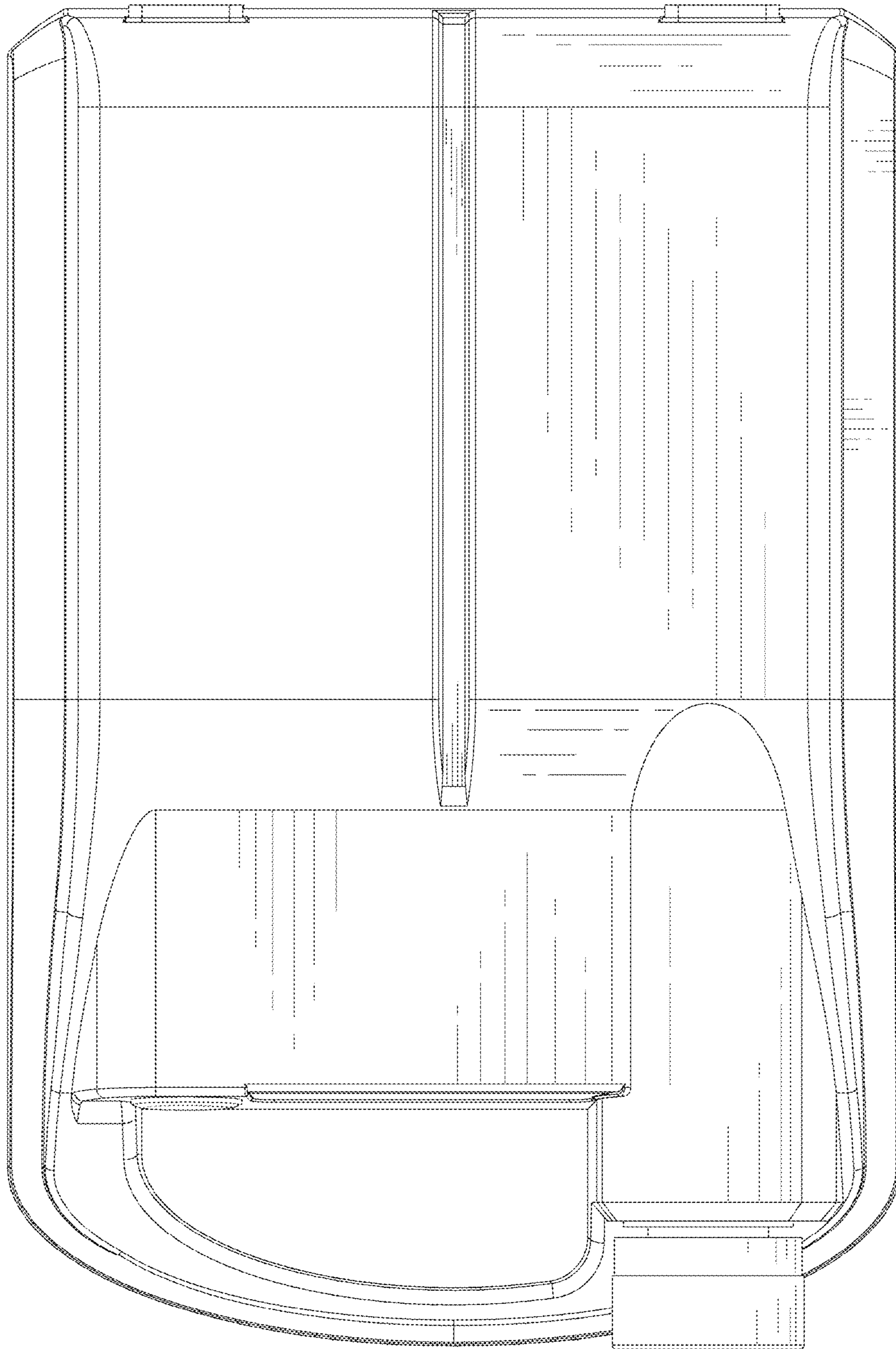


FIG.6



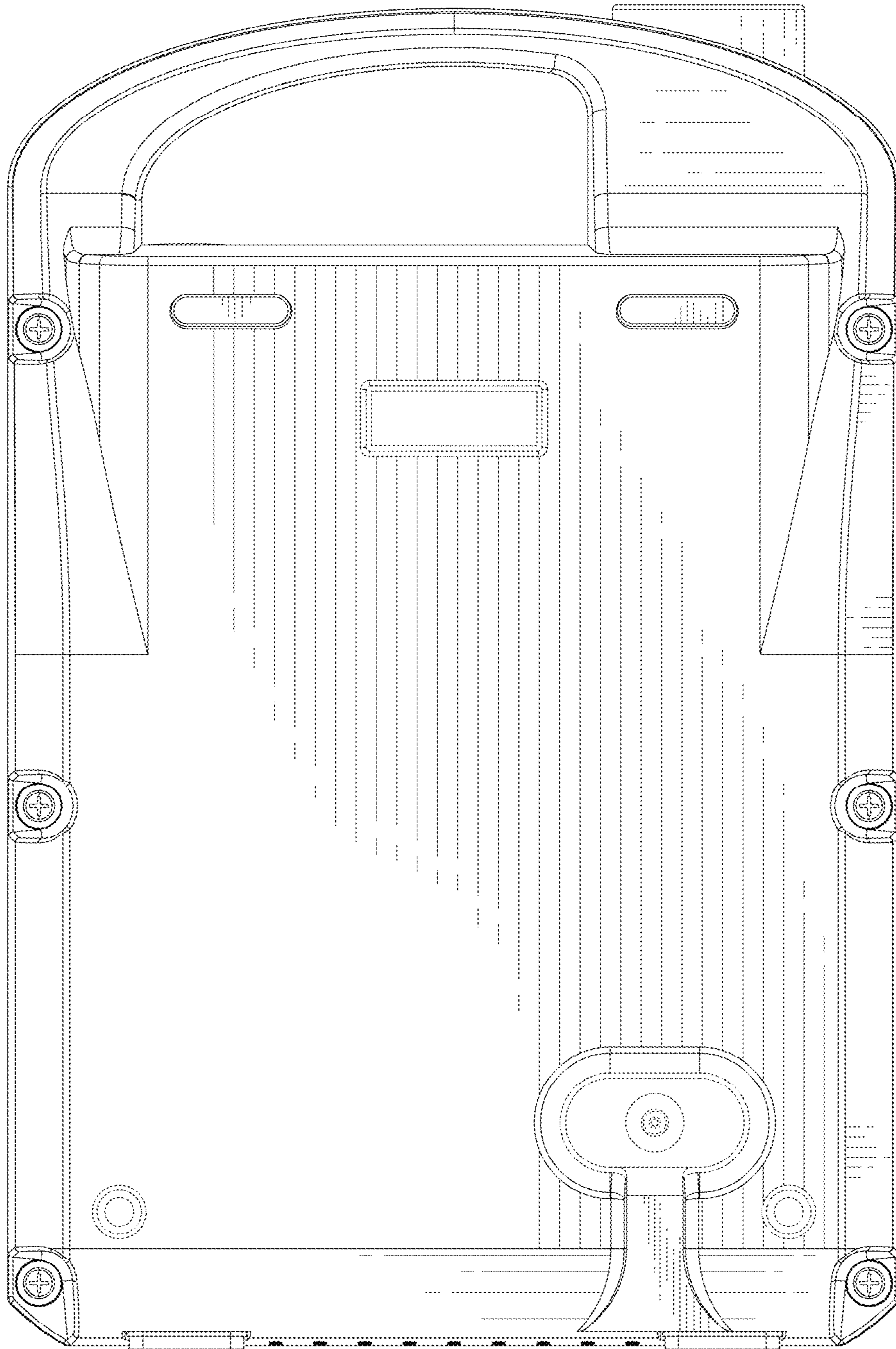


FIG. 7