



US00D916016S

(12) **United States Design Patent**
Mouchet

(10) **Patent No.:** **US D916,016 S**
(45) **Date of Patent:** **** Apr. 13, 2021**

- (54) **CURRENT TRANSDUCER**
- (71) Applicant: **LEM International SA,**
Plan-les-Ouates (CH)
- (72) Inventor: **Steve Mouchet,** Pringy (FR)
- (73) Assignee: **LEM International SA,**
Plan-les-Ouates (CH)

D766,180 S *	9/2016	Morel	D13/110
D769,190 S	10/2016	Sid	
D769,817 S *	10/2016	Sid	D13/110
D790,463 S *	6/2017	Lai	D13/110
D795,806 S	8/2017	Delmaere	
D803,154 S *	11/2017	Delmaere	D13/110
D812,001 S	3/2018	Marcoz	
D815,595 S *	4/2018	Claeys	D13/110
2016/0313373 A1 *	10/2016	Plagne	G01R 15/183
2016/0327593 A1 *	11/2016	Labbe	G01R 15/185

- (**) Term: **15 Years**
- (21) Appl. No.: **29/657,242**
- (22) Filed: **Jul. 20, 2018**

OTHER PUBLICATIONS

Office Action for U.S. Appl. No. 35/503,278 dated Sep. 6, 2018.

* cited by examiner

Primary Examiner — Bao-Yen T Nguyen

(74) *Attorney, Agent, or Firm* — Faegre Drinker Biddle & Reath LLP

Related U.S. Application Data

- (62) Division of application No. 35/503,278, filed on Jan. 6, 2017 (U.S. filing date under 35 U.S.C. 384), and having an international filing date of Jan. 6, 2017, now Pat. No. Des. 850,375.
- (51) **LOC (13) Cl.** **13-02**
- (52) **U.S. Cl.**
USPC **D13/110**
- (58) **Field of Classification Search**
USPC D13/110, 101, 117, 123, 124, 159, 184,
D13/199; D10/75
CPC H04R 2499/11; H04R 1/28; A61B
17/320068; B06B 1/0618; G01L 19/147
See application file for complete search history.

(57) **CLAIM**

The ornamental design for a current transducer, as shown and described.

DESCRIPTION

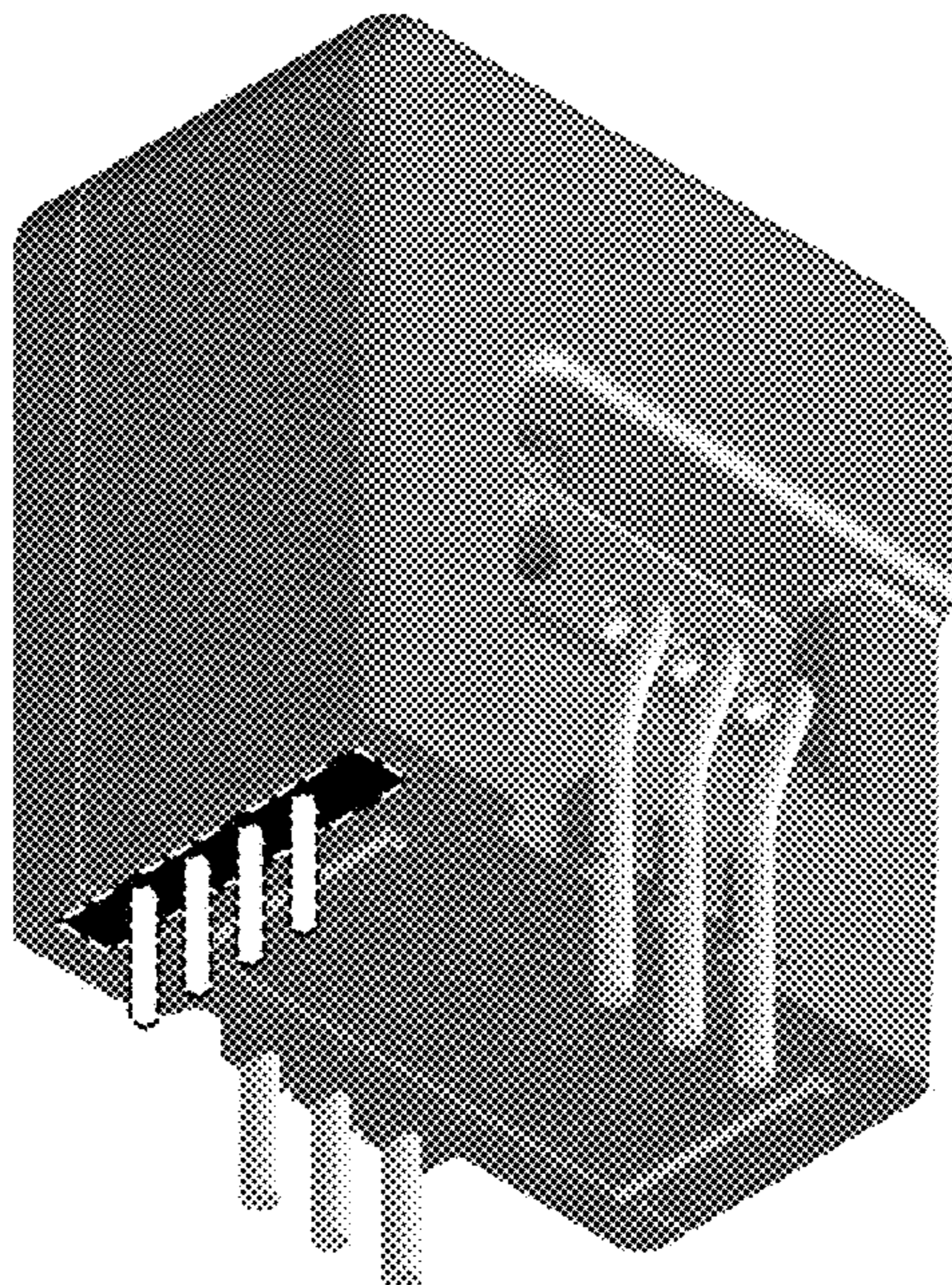
FIG. 1 is a bottom front left perspective view of a current transducer showing my new design;
 FIG. 2 is a top rear right perspective view thereof;
 FIG. 3 is a front view thereof;
 FIG. 4 is a rear view thereof;
 FIG. 5 is a top plan view thereof;
 FIG. 6 is a bottom plan view thereof;
 FIG. 7 is a left side view thereof; and,
 FIG. 8 is a right side view thereof.
 The solid black surface areas within the broken lines in the Figures illustrate portions of the current transducer that form no part of the claimed design.

(56) **References Cited**

U.S. PATENT DOCUMENTS

D684,927 S *	6/2013	Sage	D13/110
D685,325 S *	7/2013	Hayashi	D13/110
D686,989 S *	7/2013	Hayashi	D13/110
D688,626 S *	8/2013	Ye	D13/110
D742,842 S *	11/2015	Hayashi	D13/182

1 Claim, 8 Drawing Sheets



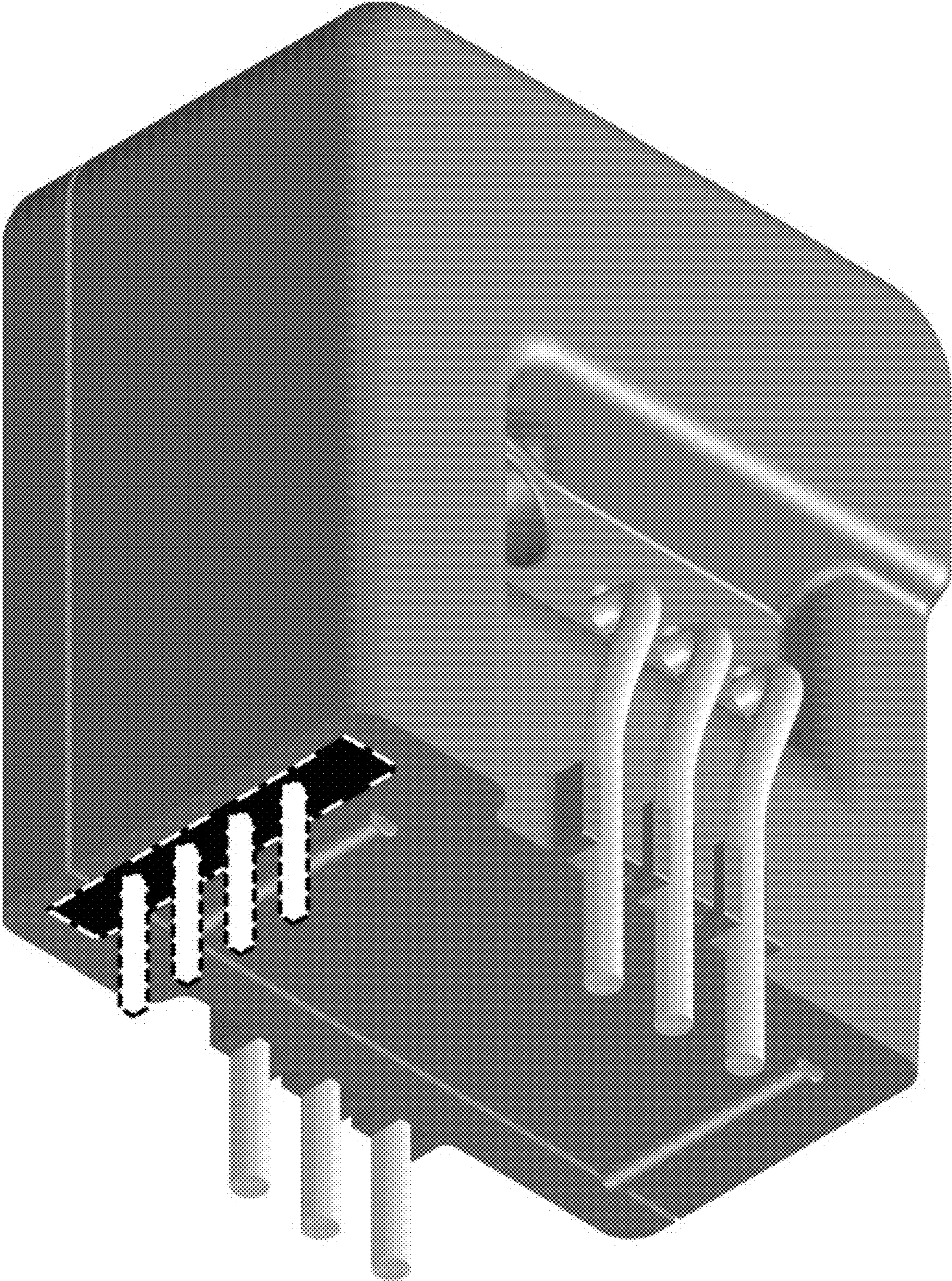


FIG. 1

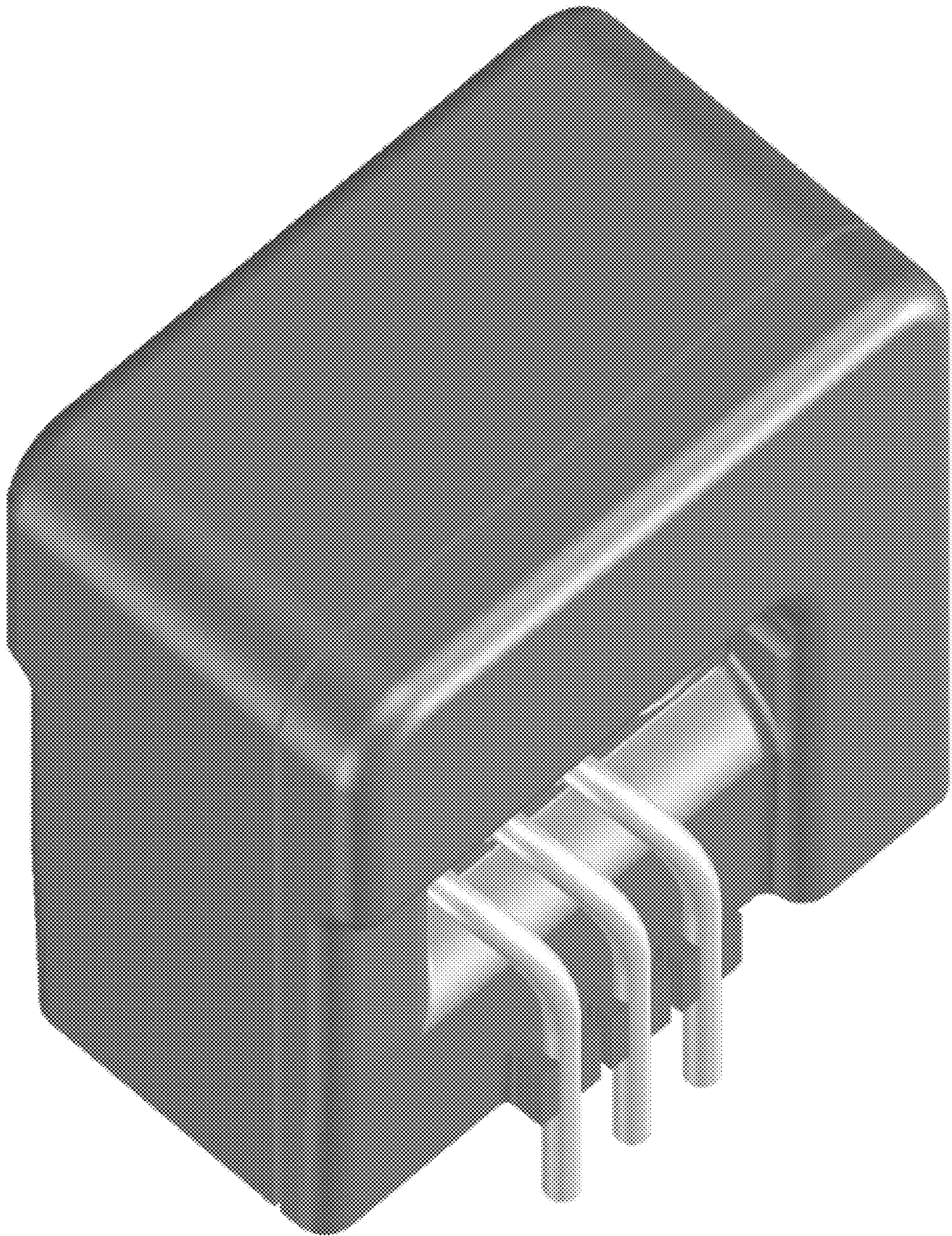


FIG. 2

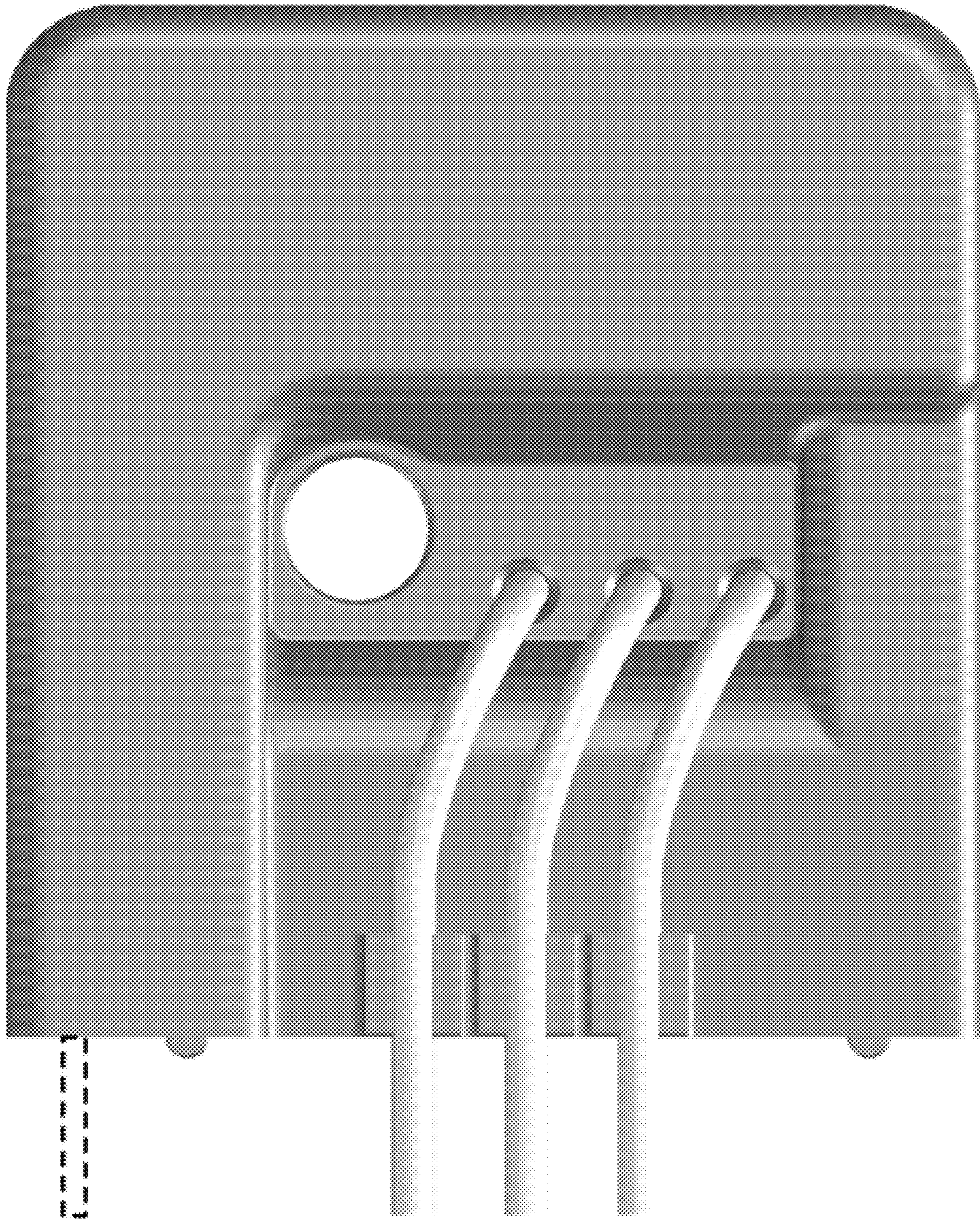


FIG. 3

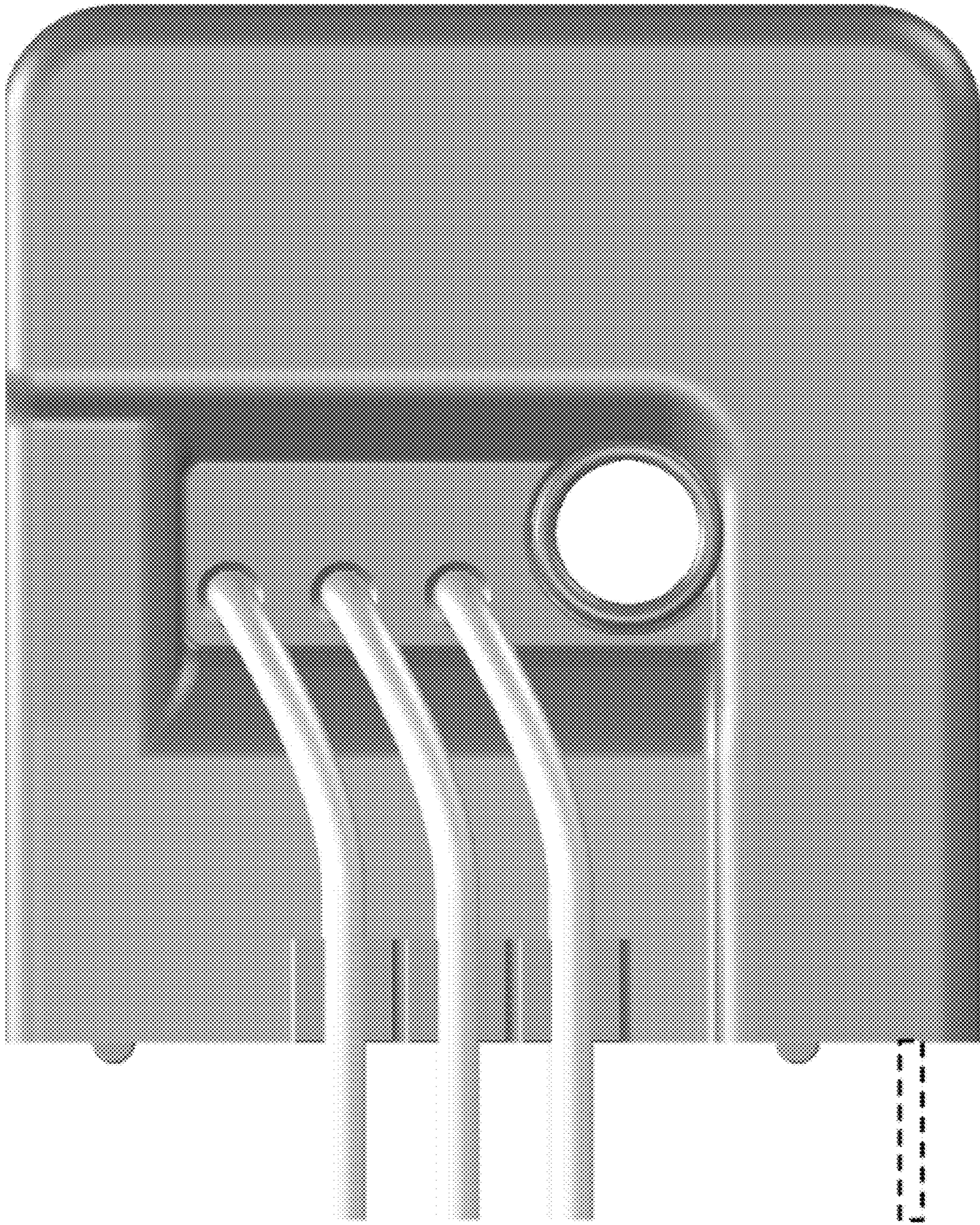


FIG. 4

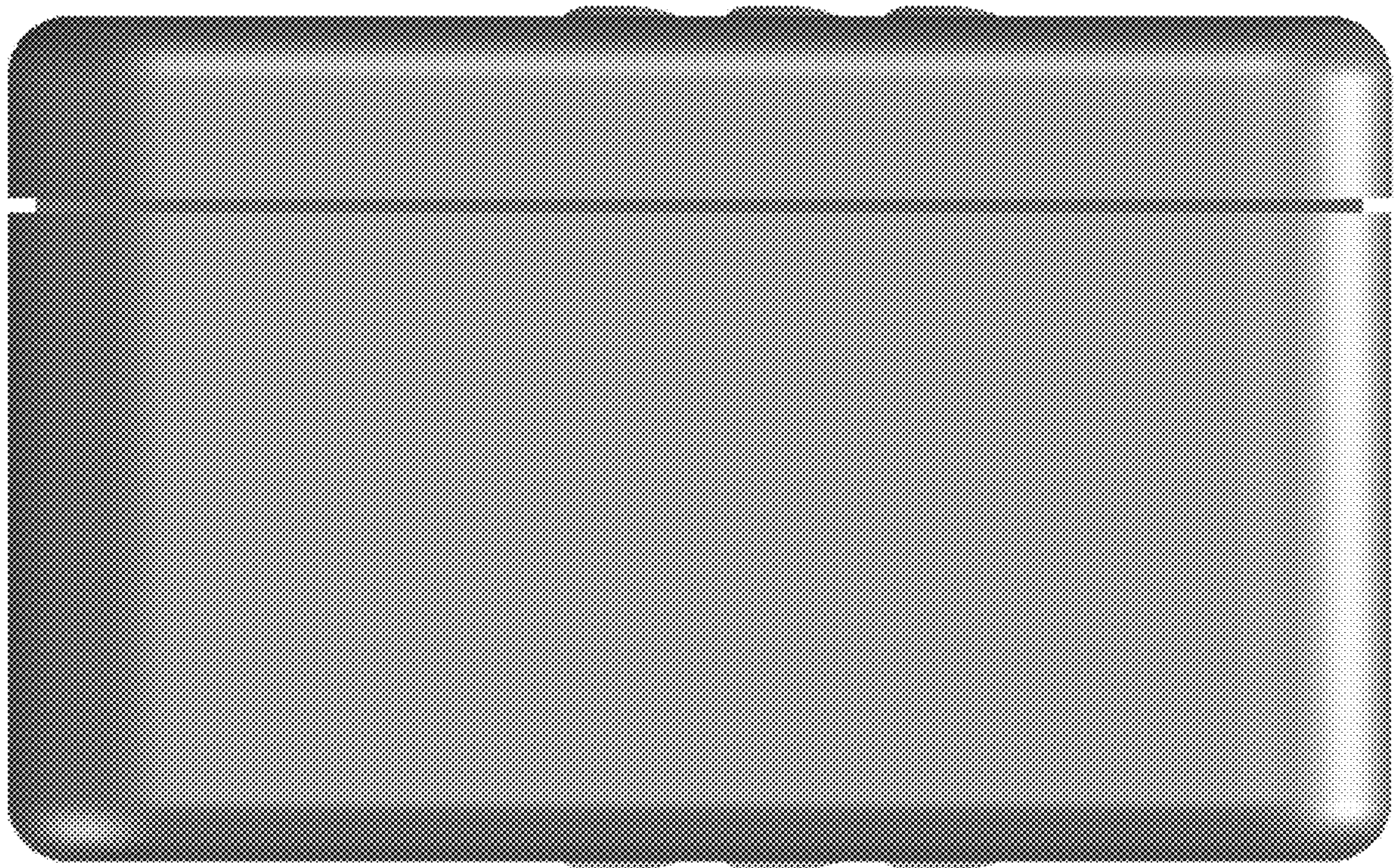


FIG. 5

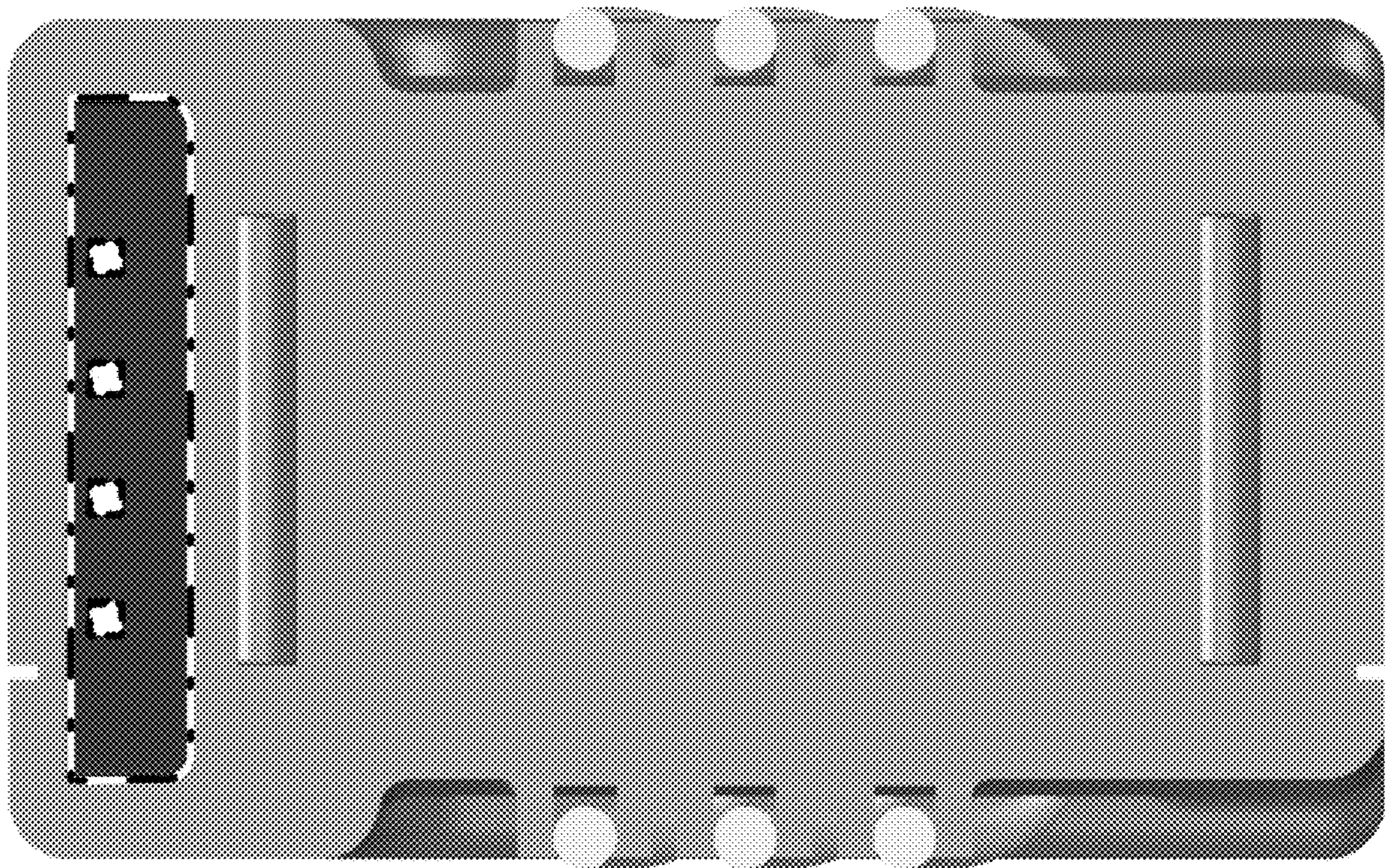


FIG. 6



FIG. 7

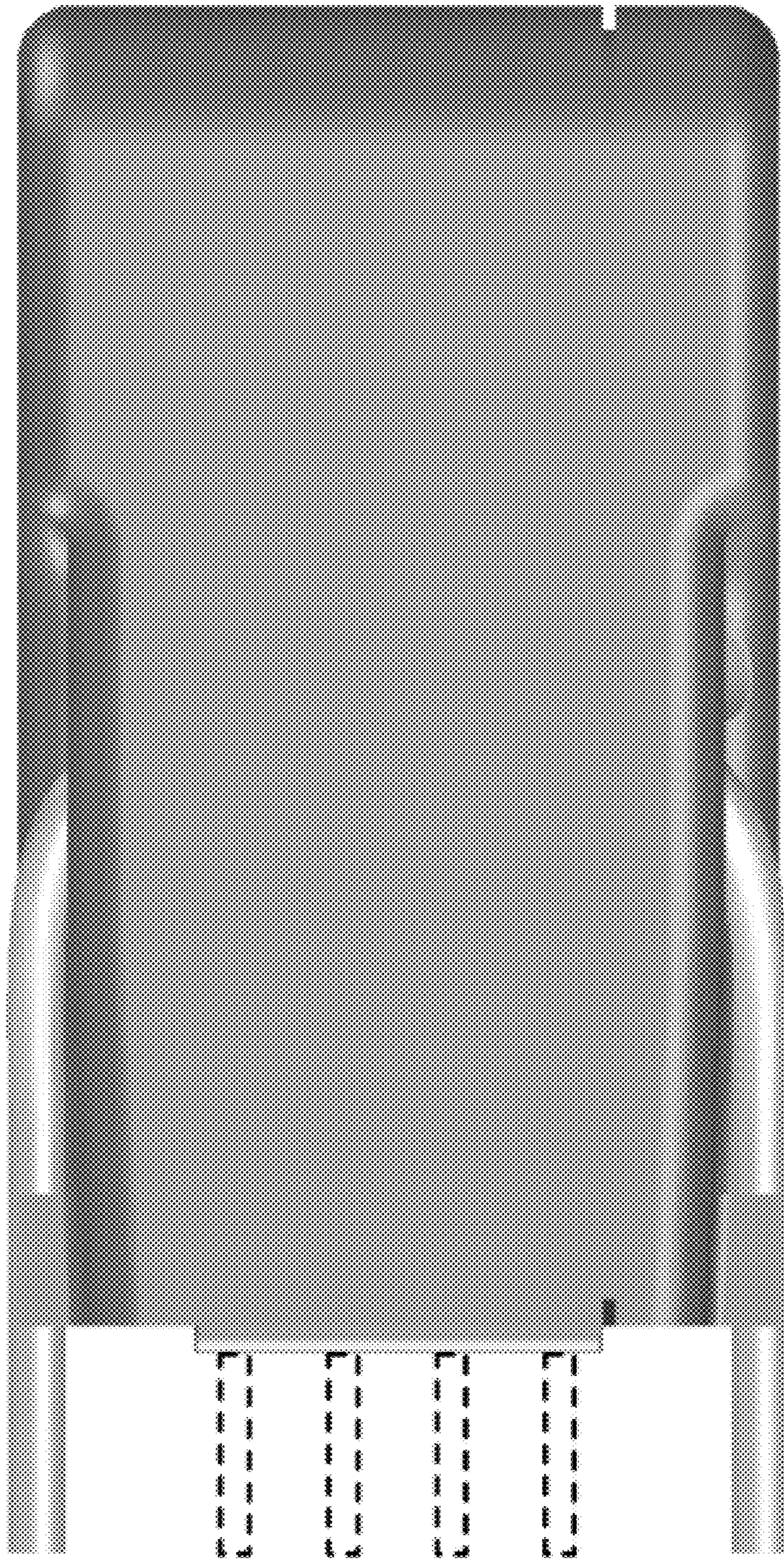


FIG. 8