



US00D916014S

(12) **United States Design Patent**
Wersland et al.

(10) **Patent No.: US D916,014 S**

(45) **Date of Patent: ** *Apr. 13, 2021**

(54) **CHARGING STAND**

(71) Applicant: **Theragun, Inc.**, Beverly Hills, CA (US)

(72) Inventors: **Jason Wersland**, Manhattan Beach, CA (US); **Benjamin Nazarian**, Beverly Hills, CA (US); **Jaime Sanchez Solana**, Los Angeles, CA (US); **Eduardo Merino**, Beverly Hills, CA (US); **Trent Hernandez**, Los Angeles, CA (US); **Jillian Tackaberry**, Chicago, IL (US); **David Seal**, Chicago, IL (US); **Gary Paulsen**, Chicago, IL (US)

(73) Assignee: **THERAGUN, INC.**, Beverly Hills, CA (US)

(*) Notice: This patent is subject to a terminal disclaimer.

(**) Term: **15 Years**

(21) Appl. No.: **29/714,244**

(22) Filed: **Nov. 21, 2019**

(51) **LOC (13) Cl.** **13-02**

(52) **U.S. Cl.**
USPC **D13/108**

(58) **Field of Classification Search**

USPC D13/103, 107, 108, 109, 110, 116, 118, D13/119, 199; D3/205; D4/100, 101, D4/199; D6/524, 526, 534; D14/209.1, D14/224, 251, 252, 434, 447; D27/172, D27/183, 186, 193

CPC H04R 1/1025; H02J 7/342; H01M 10/44
See application file for complete search history.

(56) **References Cited**

U.S. PATENT DOCUMENTS

3,183,891 A * 5/1965 MacDonald H02J 7/0042
15/3.53
3,521,975 A * 7/1970 Sicho G05D 16/2066
417/17

D277,664 S * 2/1985 Wilt D14/251
6,130,521 A * 10/2000 Collins H02J 7/0044
248/126
D516,023 S * 2/2006 Quinn D13/108

(Continued)

FOREIGN PATENT DOCUMENTS

JP 2010017018 A * 1/2010

OTHER PUBLICATIONS

“Theragun Pro Wireless Charging Stand”. Found online Jan. 6, 2021 at worldwidegolfshop.com. Reference dated Dec. 23, 2020. Retrieved from <https://www.worldwidegolfshops.com/theragun-pro-wireless-charging-stand-600001068/p>. (Year: 2020).*

(Continued)

Primary Examiner — Kendra Leslie Hamilton

Assistant Examiner — Amanda Christensen

(74) *Attorney, Agent, or Firm* — Jeffer Mangels Butler & Mitchell LLP; Brennan C. Swain, Esq.

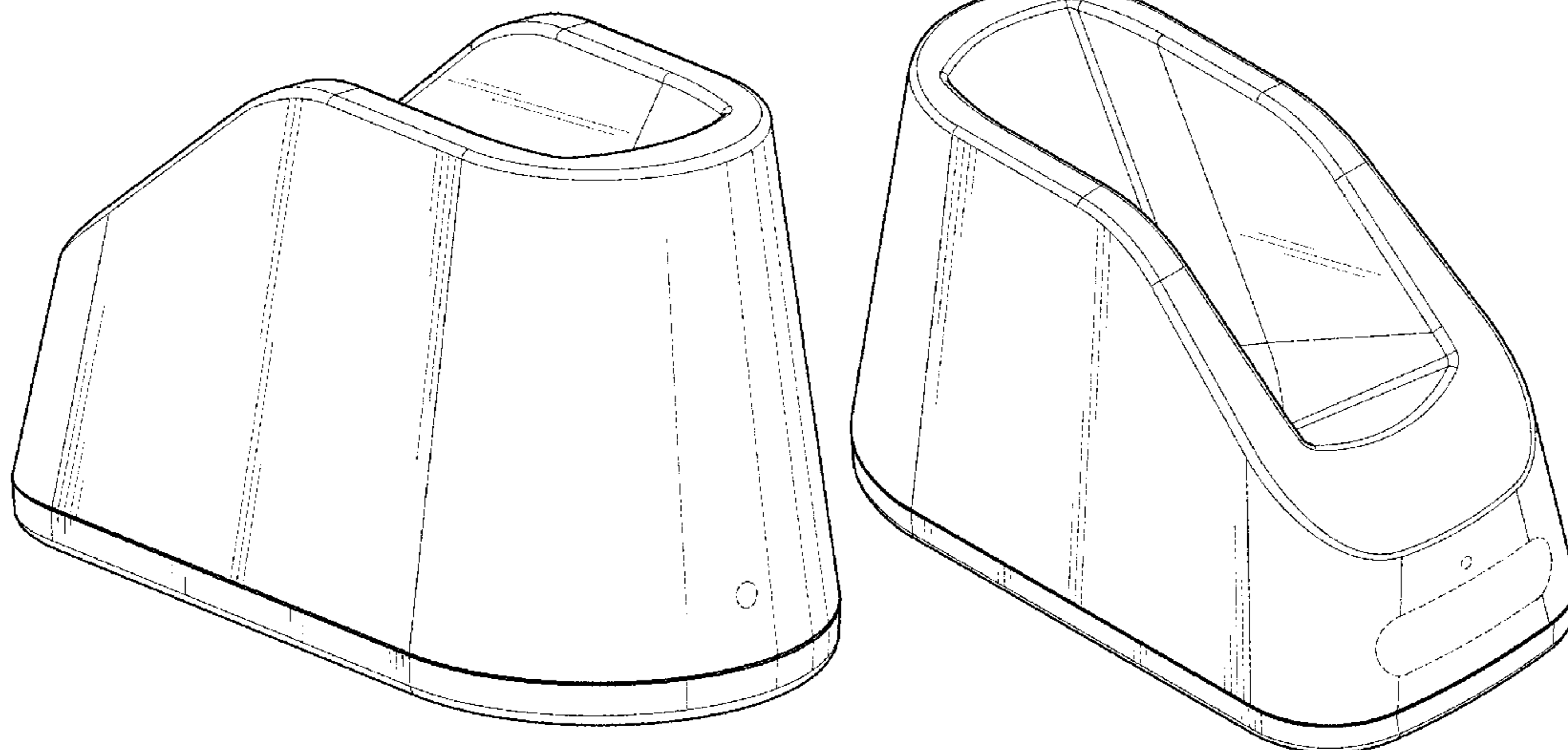
(57) **CLAIM**

The ornamental design for a charging stand, as shown and described.

DESCRIPTION

FIG. 1 is a top, front, left side perspective view of a charging stand, showing our new design;
FIG. 2 is a top, rear, right side perspective view thereof;
FIG. 3 is a front elevational view thereof;
FIG. 4 is a rear elevational view thereof;
FIG. 5 is a right side elevational view thereof, the left side elevational view being a mirror image thereof; and,
FIG. 6 is a top plan view thereof.
The equal-length broken lines in the drawings depict portions of the charging stand that form no part of the claimed design.

1 Claim, 5 Drawing Sheets



(56)

References Cited

U.S. PATENT DOCUMENTS

D562,762 S * 2/2008 Saddlemire D13/108
D605,588 S * 12/2009 Nomi D13/108
D697,474 S * 1/2014 Manneschi D13/108
D764,173 S * 8/2016 Nichols D4/102
D880,419 S * 4/2020 Hernandez D13/108
10,714,953 B1 * 7/2020 Solana H02J 7/0044
D896,175 S * 9/2020 Staff D13/108
D904,293 S * 12/2020 Wersland D13/107

OTHER PUBLICATIONS

“Theragun G3”. Found online Dec. 30, 2020 at forbes.com. Reference dated Apr. 30, 2019. Retrieved from <https://www.forbes.com/sites/leebelltech/2019/04/30/best-fitness-training-innovations-2019/?sh=10a637a46185>. (Year: 2019).*

“Theragun—G3PRO Charging Stand”. Found online Dec. 30, 2020 at walmart.com. Reference dated Aug. 29, 2016. Retrieved from https://tineye.com/search/81853f401875bd5b387a78cd6546ba5f07a1336e?sort=crawl_date&order=asc&page=1. (Year: 2016).*

* cited by examiner

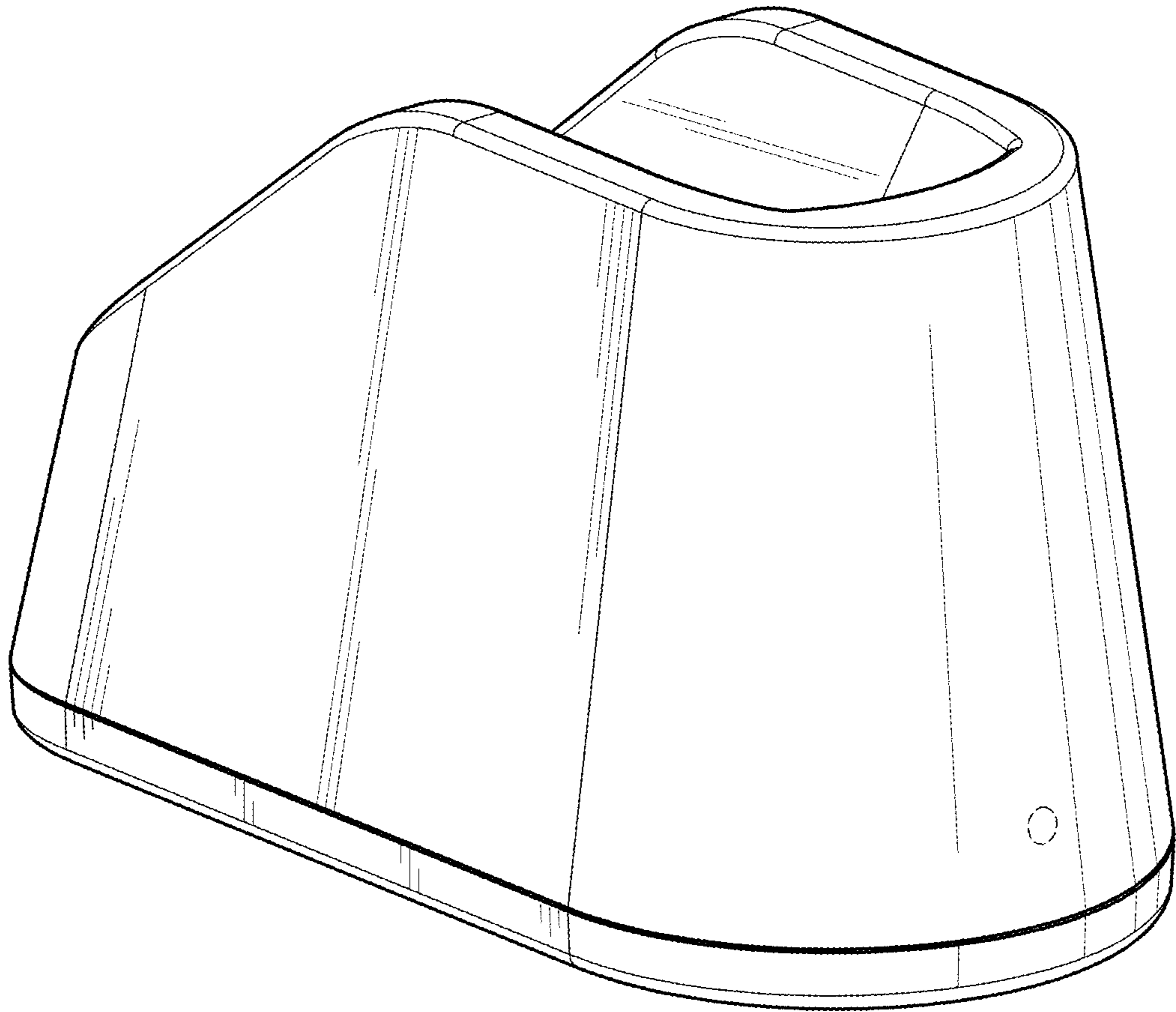


FIG. 1

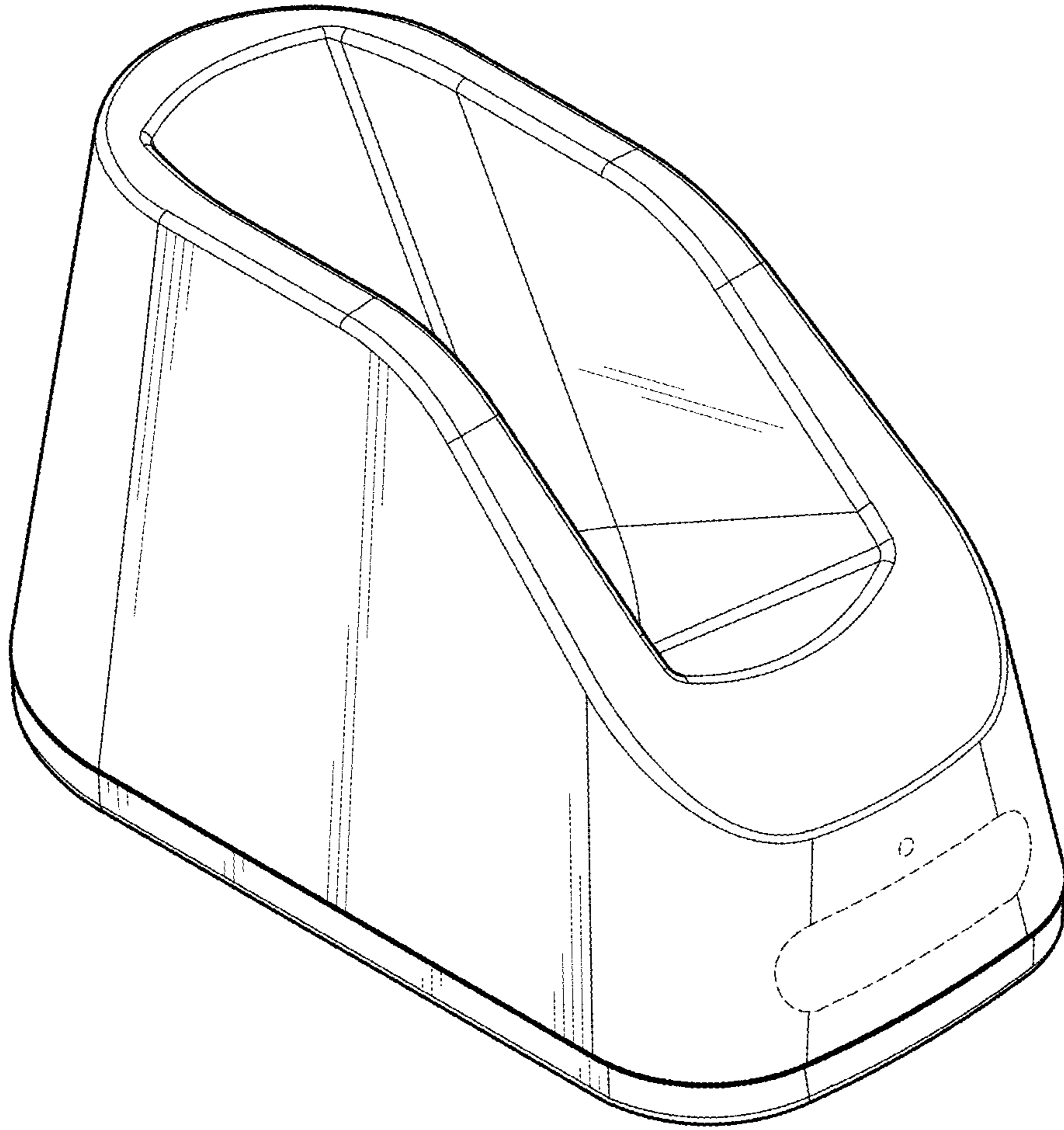


FIG. 2

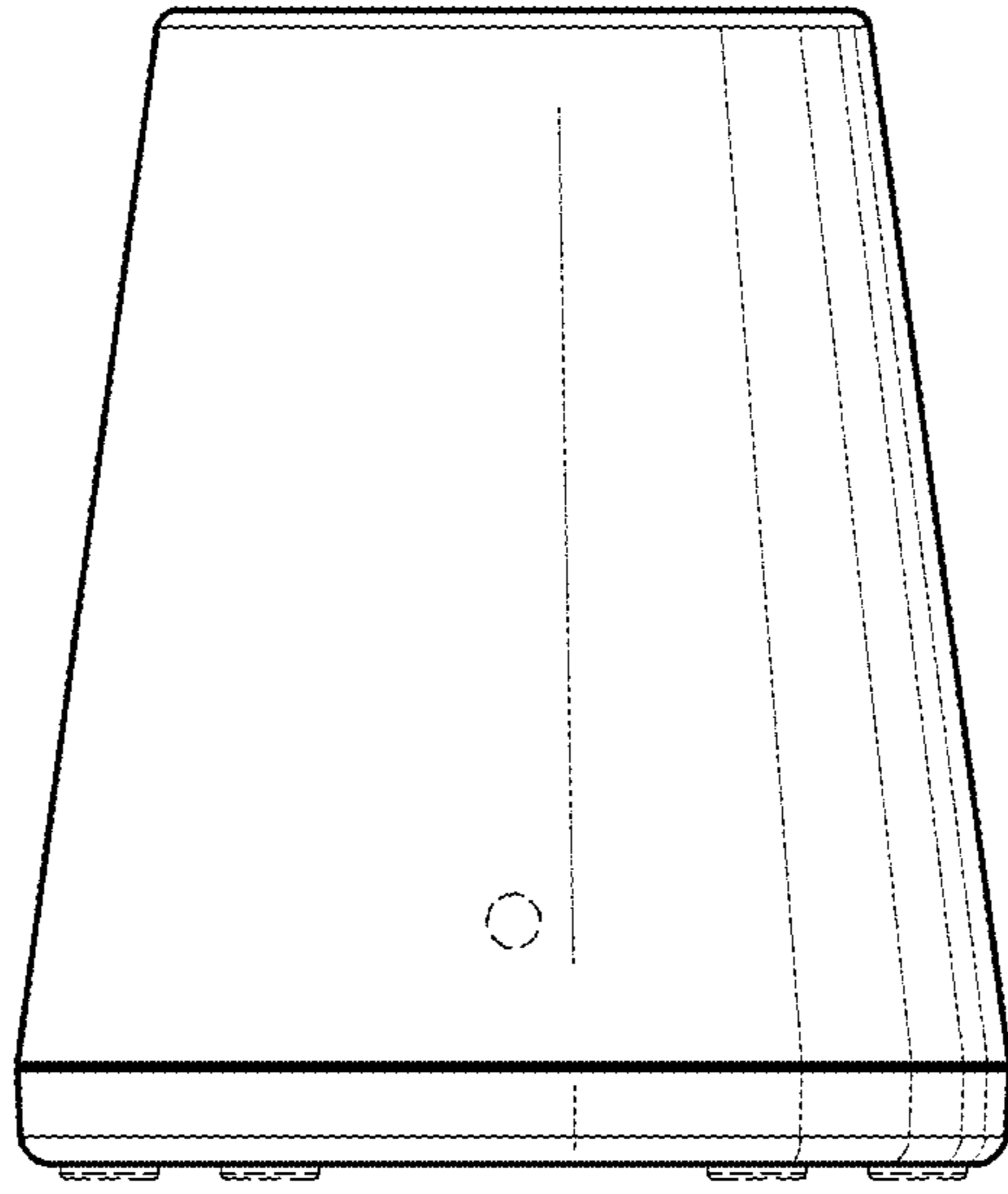


FIG. 3

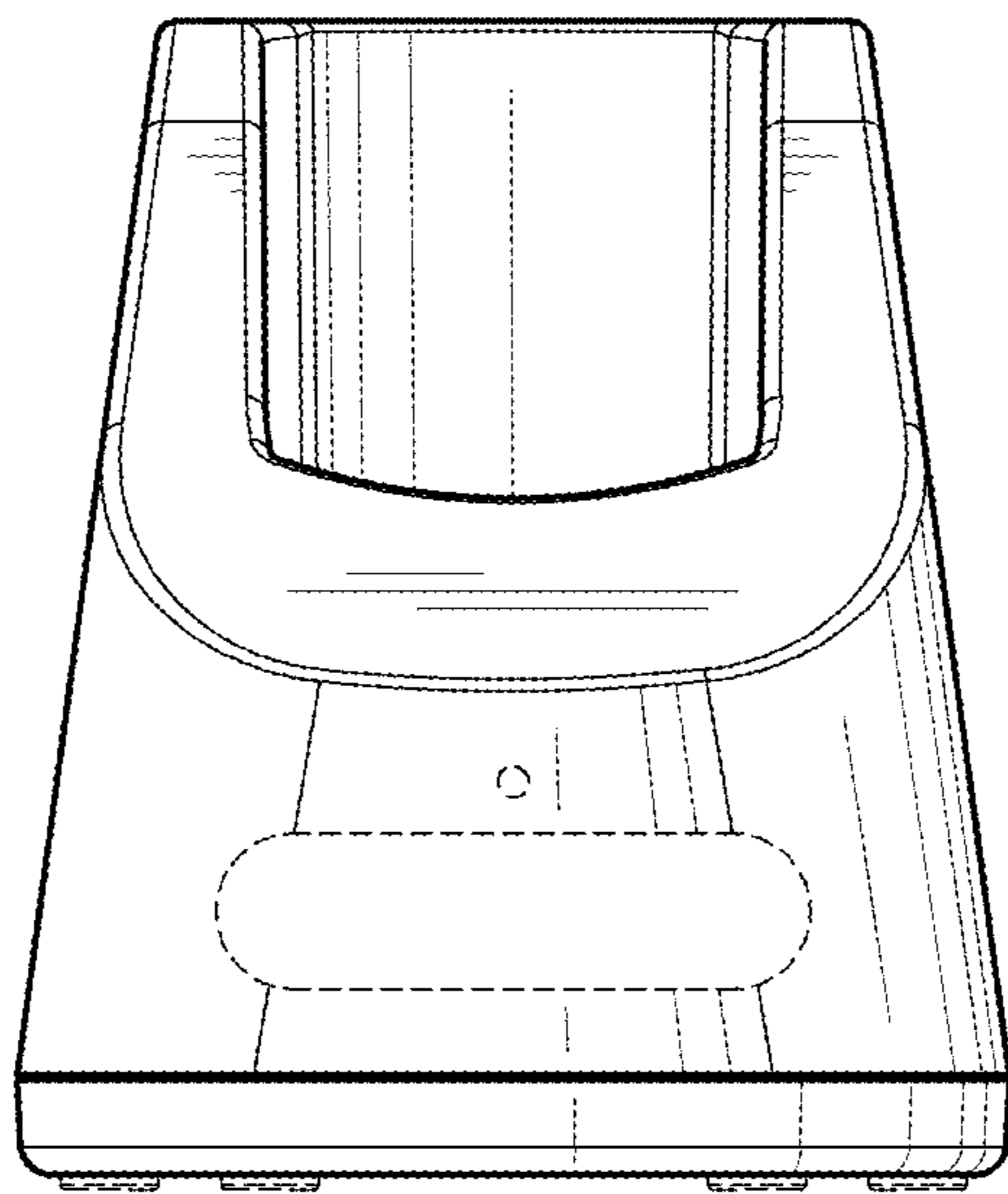


FIG. 4

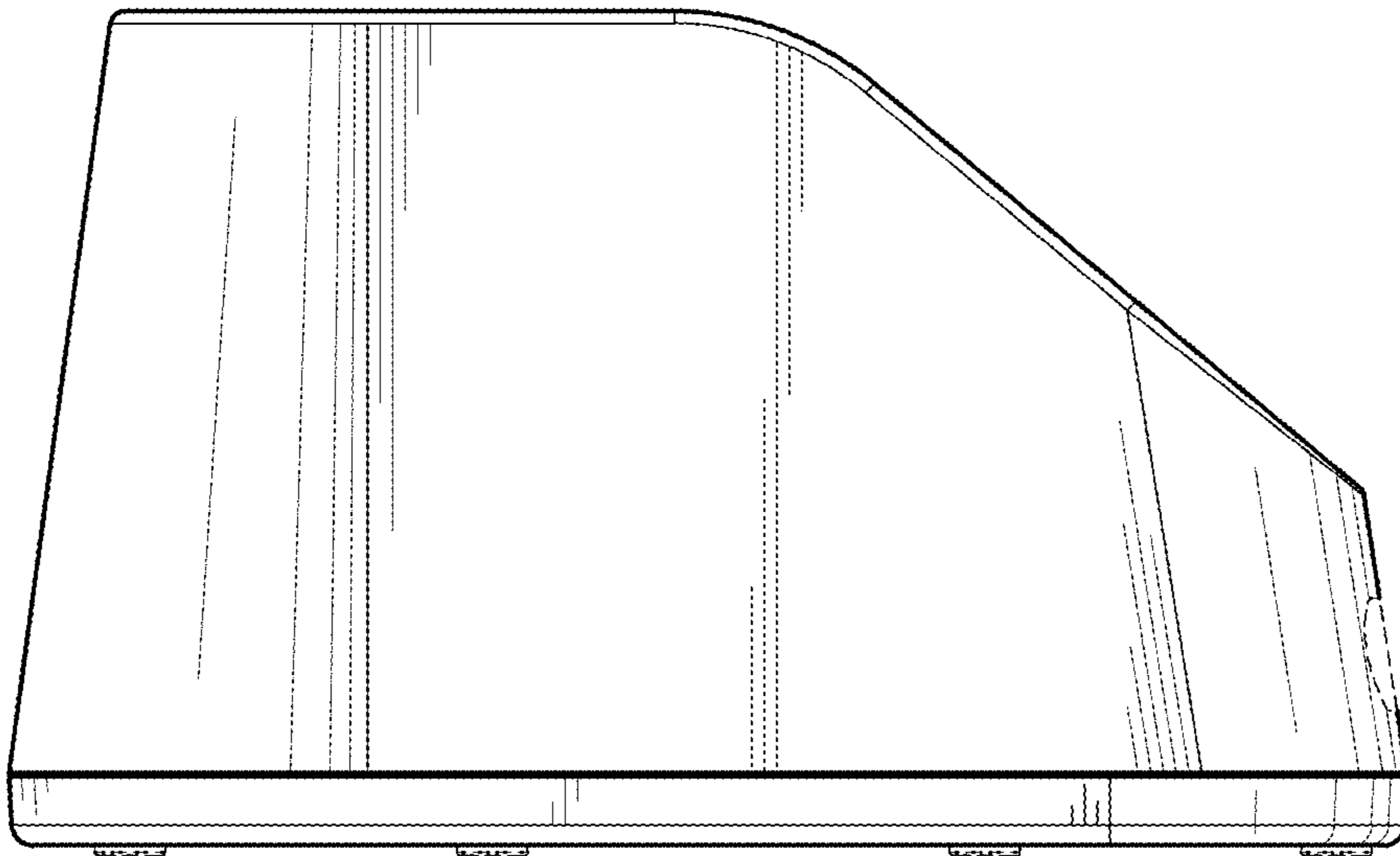


FIG. 5

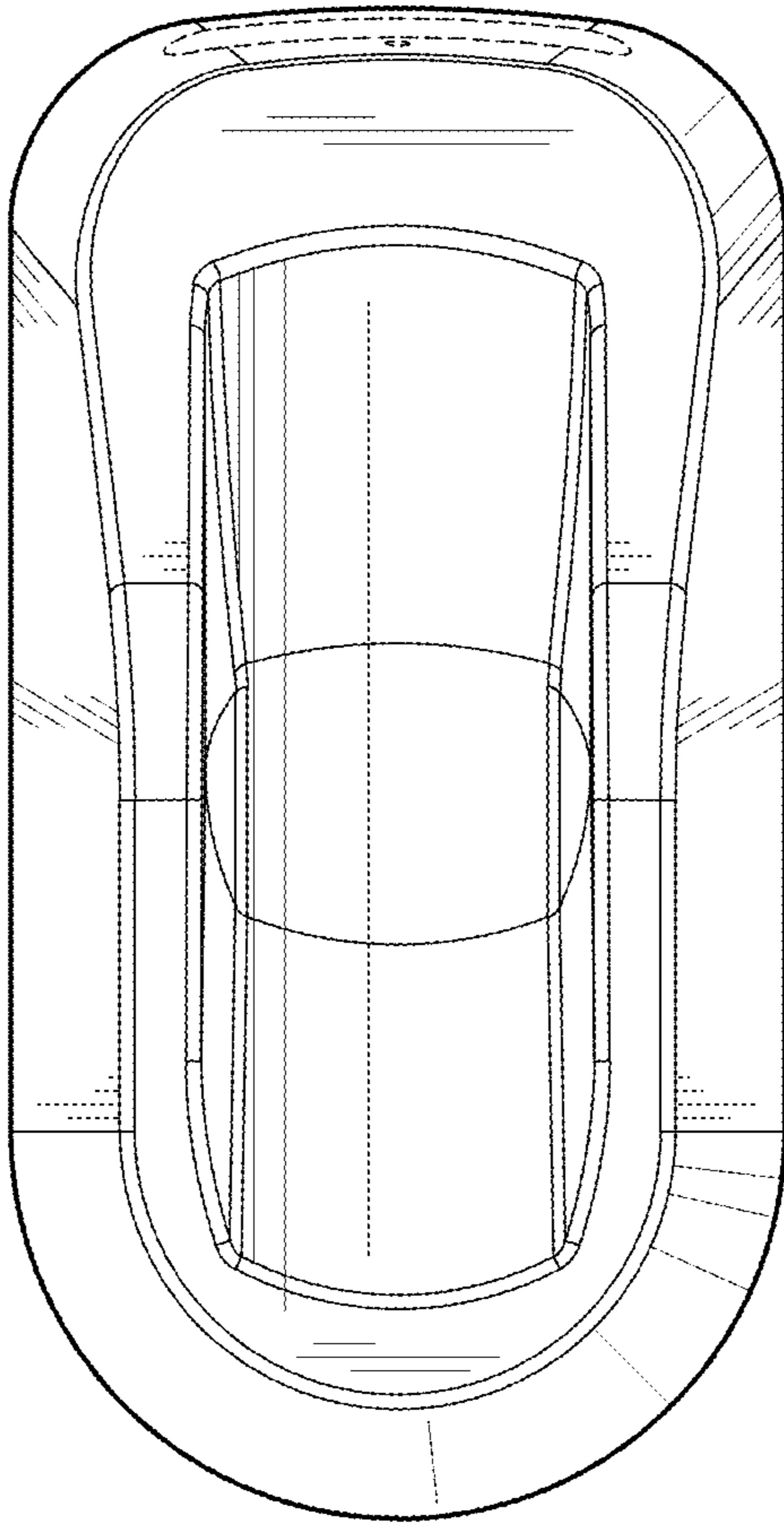


FIG. 6