



US00D916011S

(12) **United States Design Patent** (10) **Patent No.:** **US D916,011 S**
Finocchiaro et al. (45) **Date of Patent:** **** Apr. 13, 2021**

(54) **JUMPSTARTER**
(71) Applicant: **Brown & Watson International Pty Ltd, Knoxfield (AU)**
(72) Inventors: **Mark Finocchiaro, Northcote (AU); Joshua Grabovic, Newport (AU)**
(73) Assignee: **BROWN & WATSON INTERNATIONAL PTY LTD, Victoria (AU)**
(**) Term: **15 Years**
(21) Appl. No.: **29/688,765**
(22) Filed: **Apr. 24, 2019**

D466,475 S * 12/2002 Super D13/107
D480,357 S 10/2003 Miao
D484,852 S * 1/2004 James D13/107
D504,396 S 4/2005 Hussaini et al.
D504,870 S 5/2005 Krieger et al.
D511,491 S * 11/2005 Hriscu D13/107
D514,509 S 2/2006 Krieger et al.
D523,395 S 6/2006 Krieger et al.
D593,941 S 6/2009 Ellsworth
D595,222 S * 6/2009 Ellsworth D13/107
D601,495 S 10/2009 Shum et al.
D609,633 S 2/2010 Daniels et al.
D609,634 S * 2/2010 Daniels D13/107
D616,377 S * 5/2010 Bussen D13/162.1
D620,881 S 8/2010 Daniels et al.
D636,331 S 4/2011 Inskeep

(Continued)

(30) **Foreign Application Priority Data**
Oct. 24, 2018 (AU) 201816346
(51) **LOC (13) Cl.** **13-02**
(52) **U.S. Cl.**
USPC **D13/107**
(58) **Field of Classification Search**
USPC D13/106-110, 118, 184; D15/9
CPC Y02E 60/12; Y02T 90/14; Y02T 90/122;
Y02T 90/128; Y02T 90/163; Y02T
10/7005; Y02T 10/705; Y02T 10/7088;
H02J 7/025; H02J 7/0042; H02J 7/0044;
H02J 7/0045; H02J 7/0013; H02J 7/0003;
H02J 7/0034; H02J 7/0054; H02J 7/1423;
H02J 2001/006; H01F 38/14; H01R
13/6675; H01M 2/1022; H01M 2/1055;
H01M 10/44; H01M 10/46; H01M
10/425; B60L 11/182
See application file for complete search history.

(56) **References Cited**
U.S. PATENT DOCUMENTS
D257,882 S 1/1981 Rawson et al.
D432,985 S * 10/2000 Wan D13/107

OTHER PUBLICATIONS

U.S. Appl. No. 29/688,756, filed Apr. 24, 2019; Non-Final Office Action dated May 14, 2020; 11 pages.
(Continued)

Primary Examiner — Nathaniel D. Buckner
(74) *Attorney, Agent, or Firm* — Cantor Colburn LLP

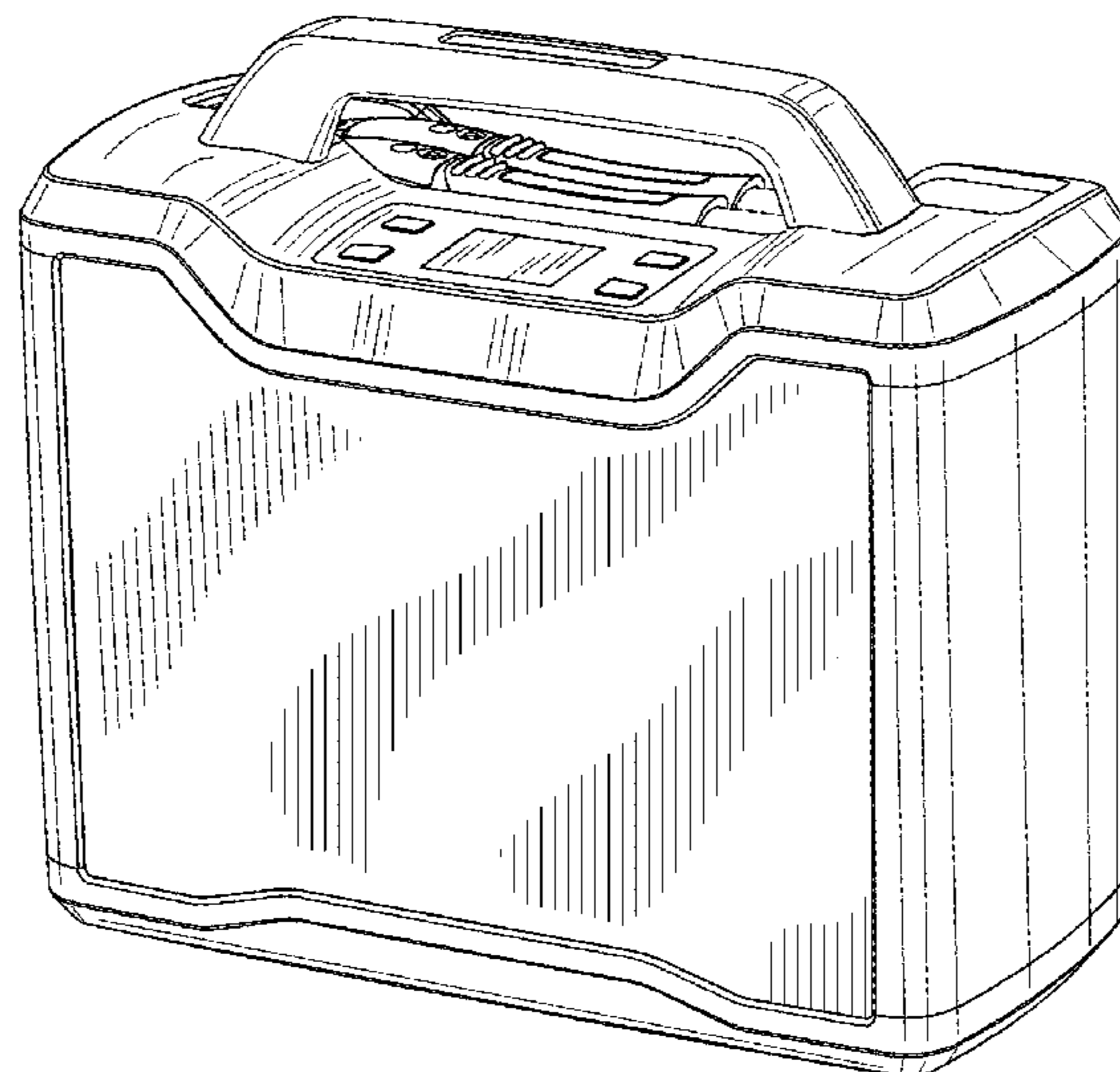
(57) **CLAIM**

The ornamental design for a jumpstarter, as shown and described.

DESCRIPTION

FIG. 1 is front view of a jumpstarter showing my new design;
FIG. 2 is a top view thereof;
FIG. 3 is a side view thereof, the opposite being a mirror image;
FIG. 4 is a top perspective view thereof;
FIG. 5 is a rear view thereof; and,
FIG. 6 is front perspective view thereof.

1 Claim, 6 Drawing Sheets



(56)

References Cited

U.S. PATENT DOCUMENTS

D654,865 S * 2/2012 DuMelle D13/107
D660,793 S 5/2012 Inskeep
D674,747 S * 1/2013 Nierescher D13/106
D697,472 S 1/2014 Lai
D710,301 S * 8/2014 Ferro D13/116
D711,318 S 8/2014 Xinfang
D722,954 S 2/2015 James
D780,686 S * 3/2017 Glasow D13/103
D780,689 S 3/2017 Inskeep
D789,292 S 6/2017 Kotsubo et al.
D803,151 S 11/2017 Zhou et al.
D811,324 S 2/2018 Inskeep
D821,306 S 6/2018 Liu et al.
D823,243 S 7/2018 Toscani et al.
D864,253 S * 10/2019 Thorne D15/7
D871,334 S * 12/2019 Chen D13/110
2011/0187322 A1 8/2011 Inskeep

OTHER PUBLICATIONS

U.S. Appl. No. 29/688,779, filed Apr. 24, 2019; Non-Final Office
Action dated May 15, 2020; 10 pages.

* cited by examiner

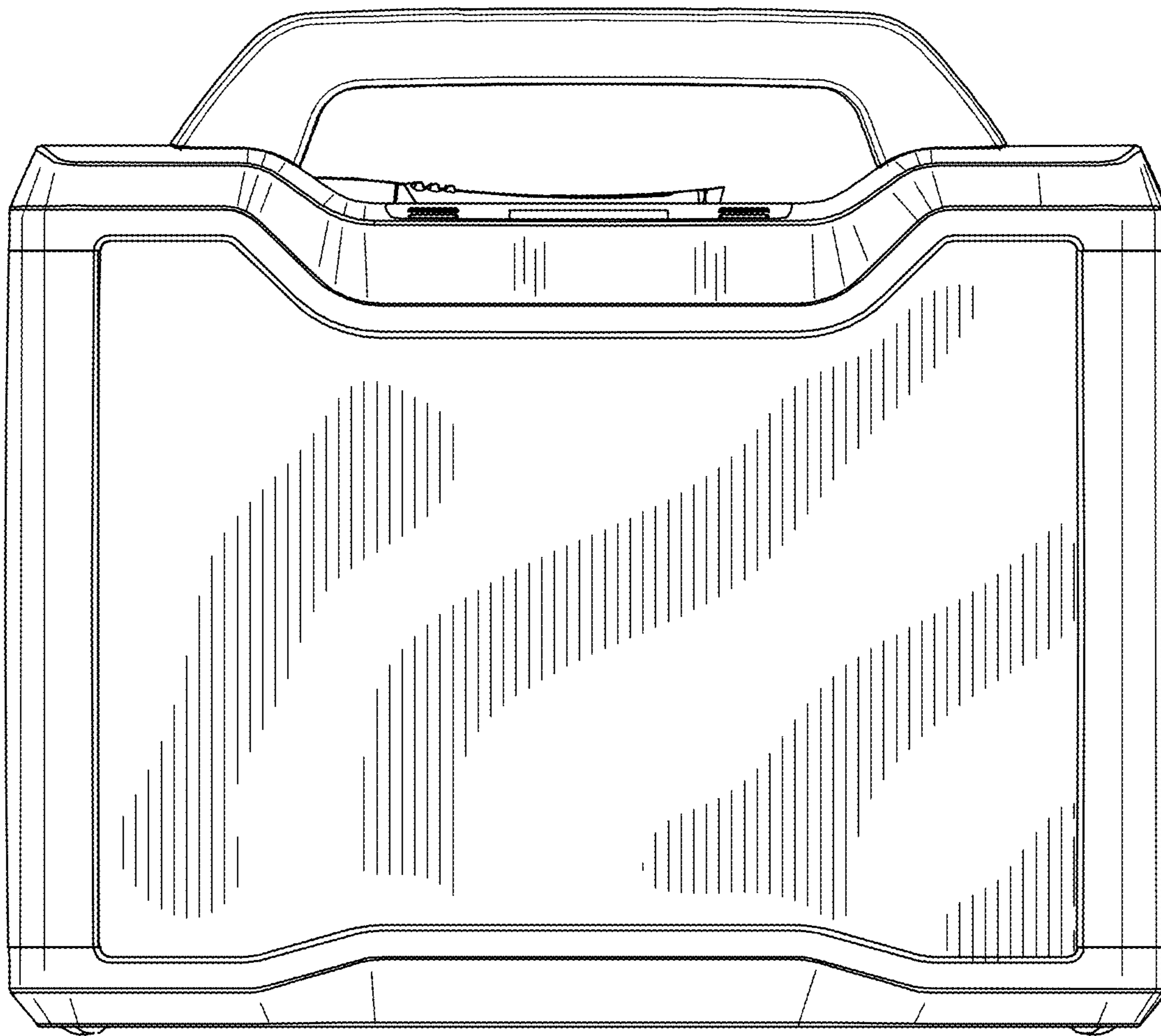


FIGURE 1

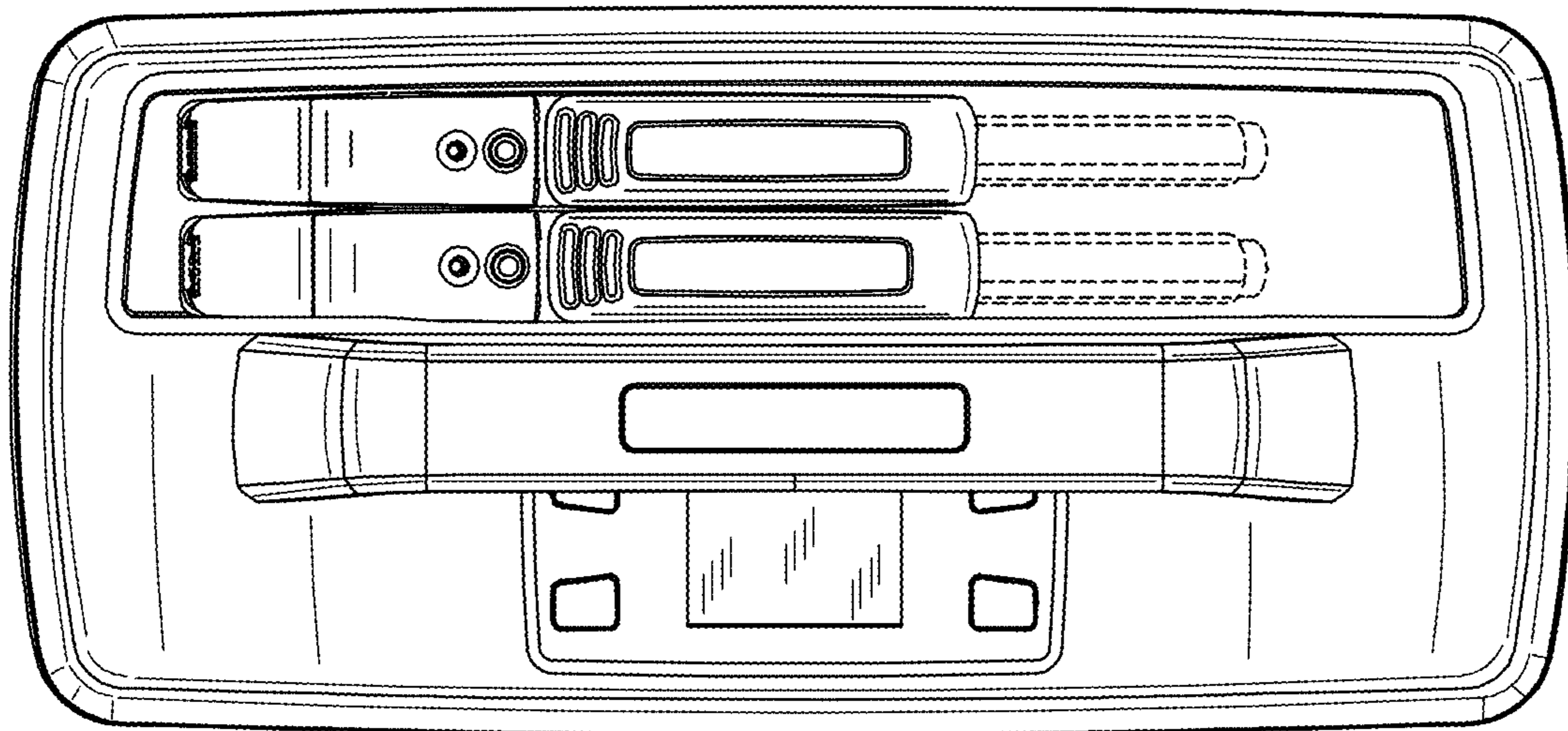


FIGURE 2

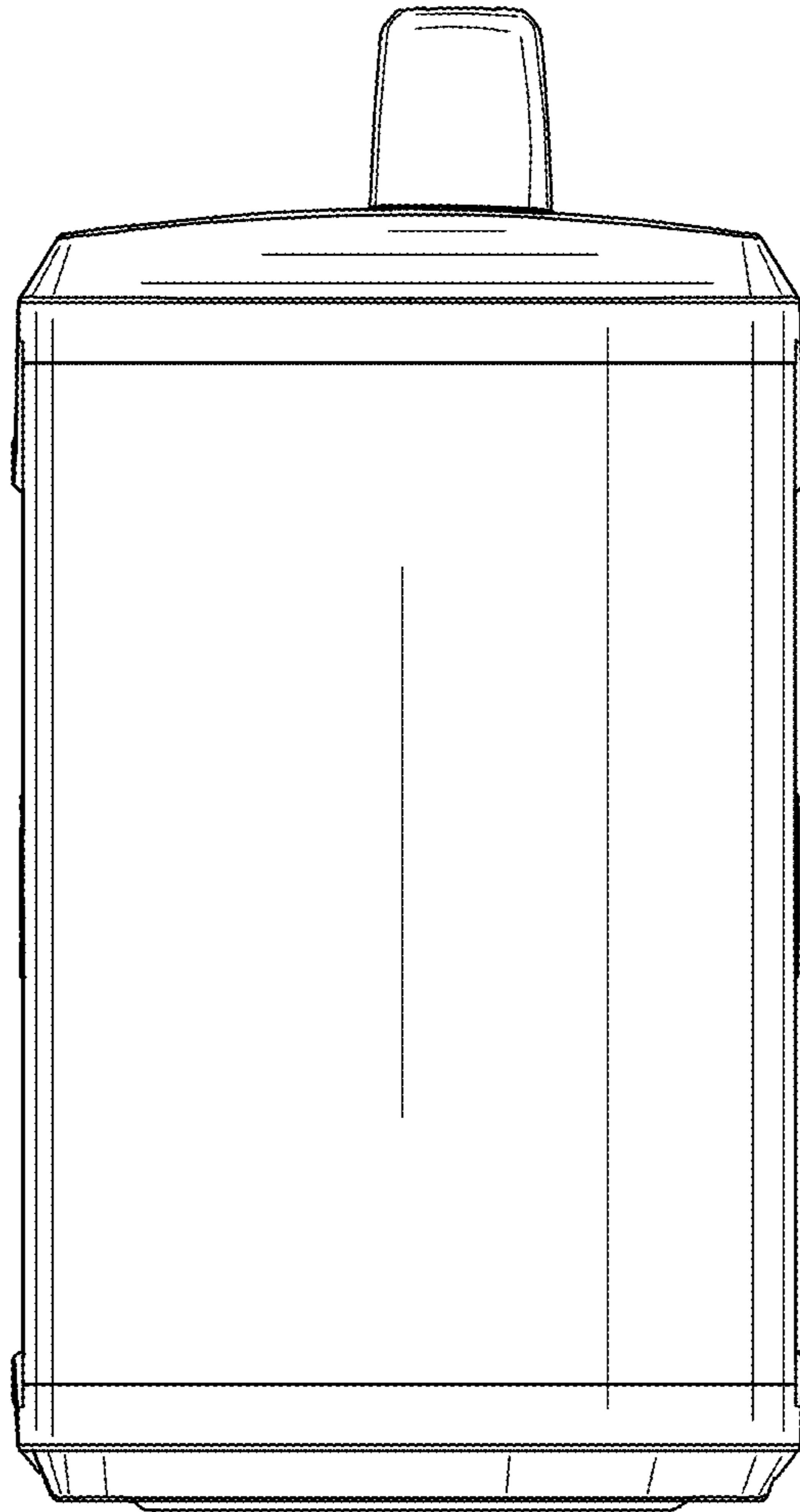


FIGURE 3

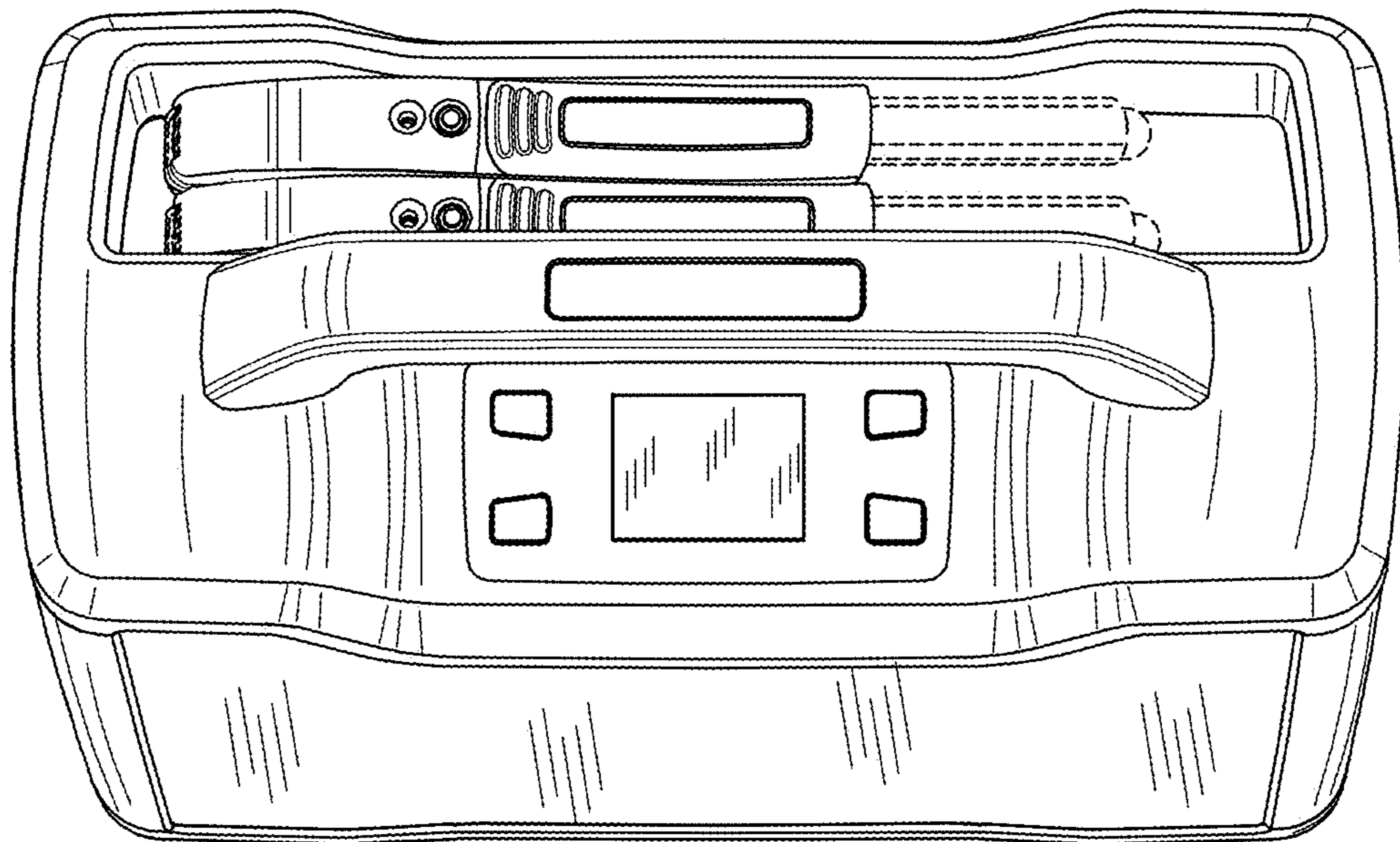


FIGURE 4

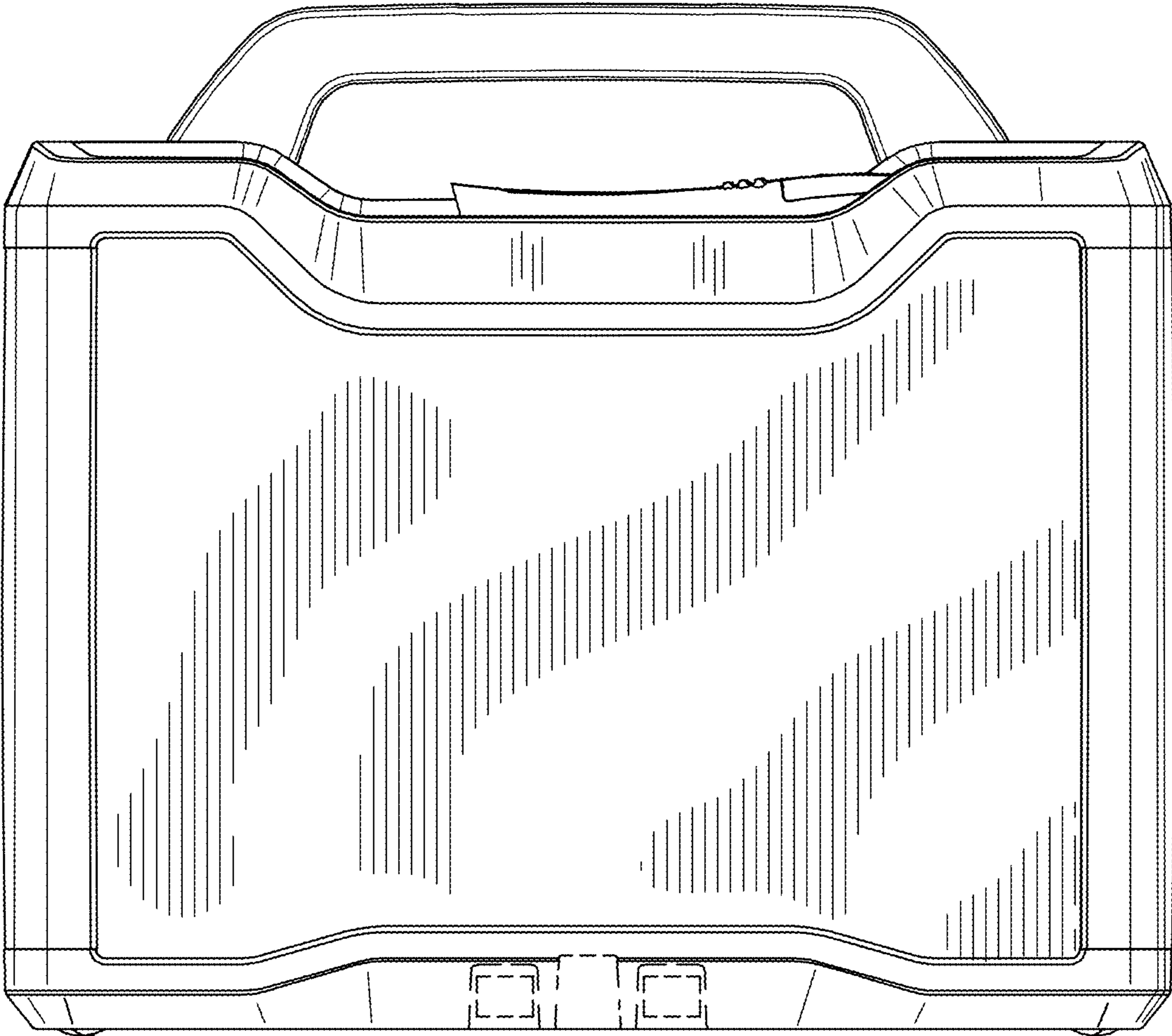


FIGURE 5

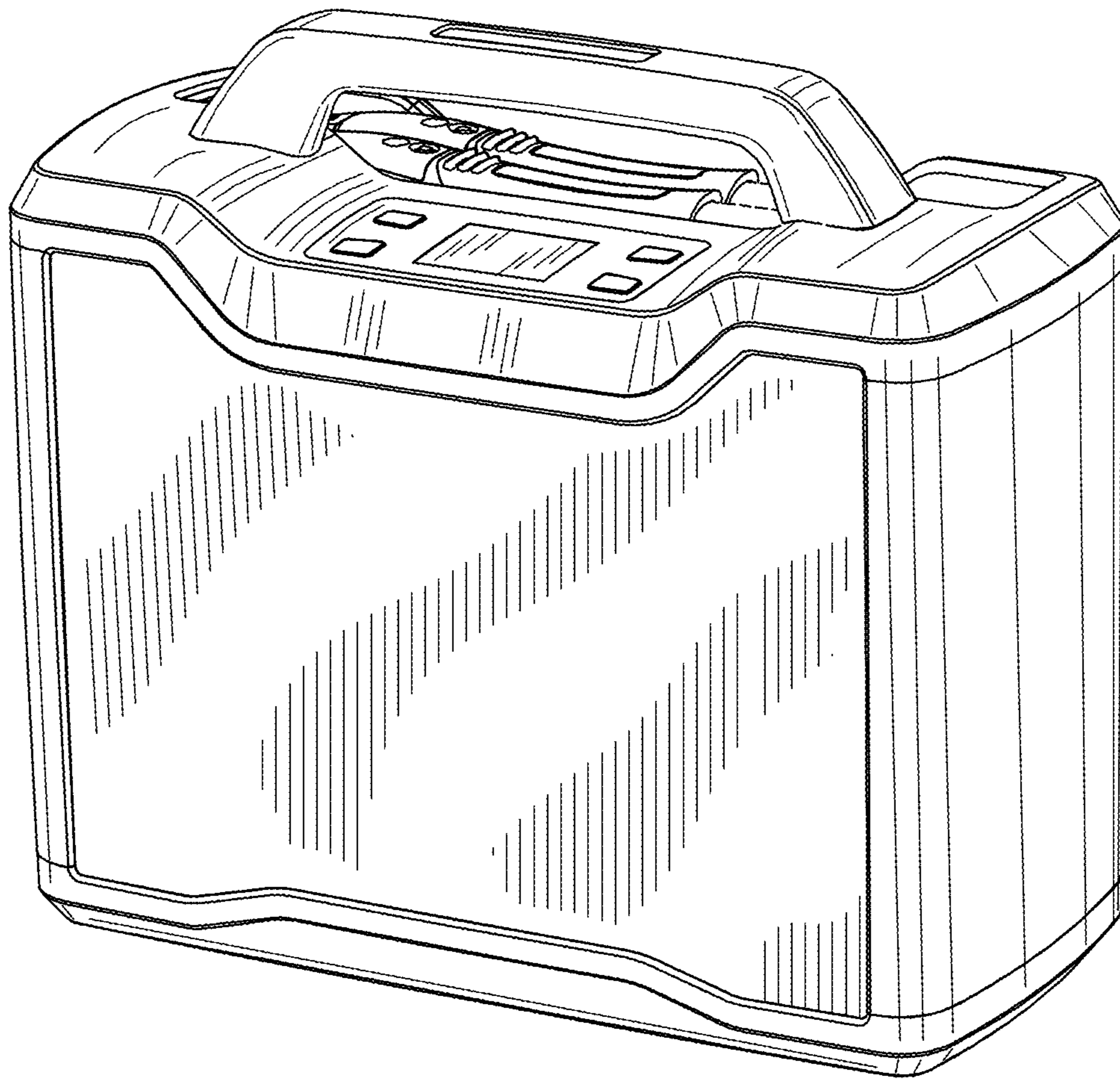


FIGURE 6