



US00D916009S

(12) **United States Design Patent** (10) **Patent No.:** **US D916,009 S**
He (45) **Date of Patent:** **** Apr. 13, 2021**

(54) **BATTERY BOX**
(71) Applicant: **Ganzhou Yuanjia Technology Development Co., Ltd.**, Ganzhou (CN)
(72) Inventor: **Yuechun He**, Ganzhou (CN)
(73) Assignee: **GANZHOU YUANJIA TECHNOLOGY DEVELOPMENT CO., LTD.**, Ganzhou (CN)

D868,740 S * 12/2019 Kang D14/216
D875,668 S * 2/2020 Jiao D13/103
D880,037 S * 3/2020 Zhang D26/67
D880,746 S * 4/2020 Zhang D26/67
D884,247 S * 5/2020 Zhu D26/67

(Continued)

FOREIGN PATENT DOCUMENTS

CN 305003482 S 1/2019

OTHER PUBLICATIONS

AA Battery Box with Timer, Lights.com, reviewed on Sep. 13, 2016, retrieved on Jun. 23, 2020, retrieved from the Internet URL: https://www.lights.com/battery-with-timer-p-37449.html?source_id=58&campaignid=9515951926&adgroupid=100402996032&creative=430342001029&keyword=&productid=37449&network=Search&gclid=EALalQobChMlq.*

Primary Examiner — Catherine S Posthauer
Assistant Examiner — Alison M Ofstun
(74) *Attorney, Agent, or Firm* — Hemisphere Law, PLLC; Zhigang Ma

(**) Term: **15 Years**
(21) Appl. No.: **29/692,152**
(22) Filed: **May 23, 2019**
(51) **LOC (13) Cl.** **13-02**
(52) **U.S. Cl.**
USPC **D13/103**
(58) **Field of Classification Search**
USPC D13/102–108, 110, 118–119, 184;
D26/67
CPC Y02E 60/12; Y02E 60/122; Y02E 60/124;
Y02E 60/50; H01M 2/02; H01M 2/022;
H01M 2/0202; H01M 2/0207; H01M
2/0212; H01M 2/1061; H01M 2/1022;
H01M 2/1055; H01M 2/1066; H01M
2/105; H01M 2/204; H01M 10/4257;
H01M 10/0436; H01M 10/48
See application file for complete search history.

(57) **CLAIM**

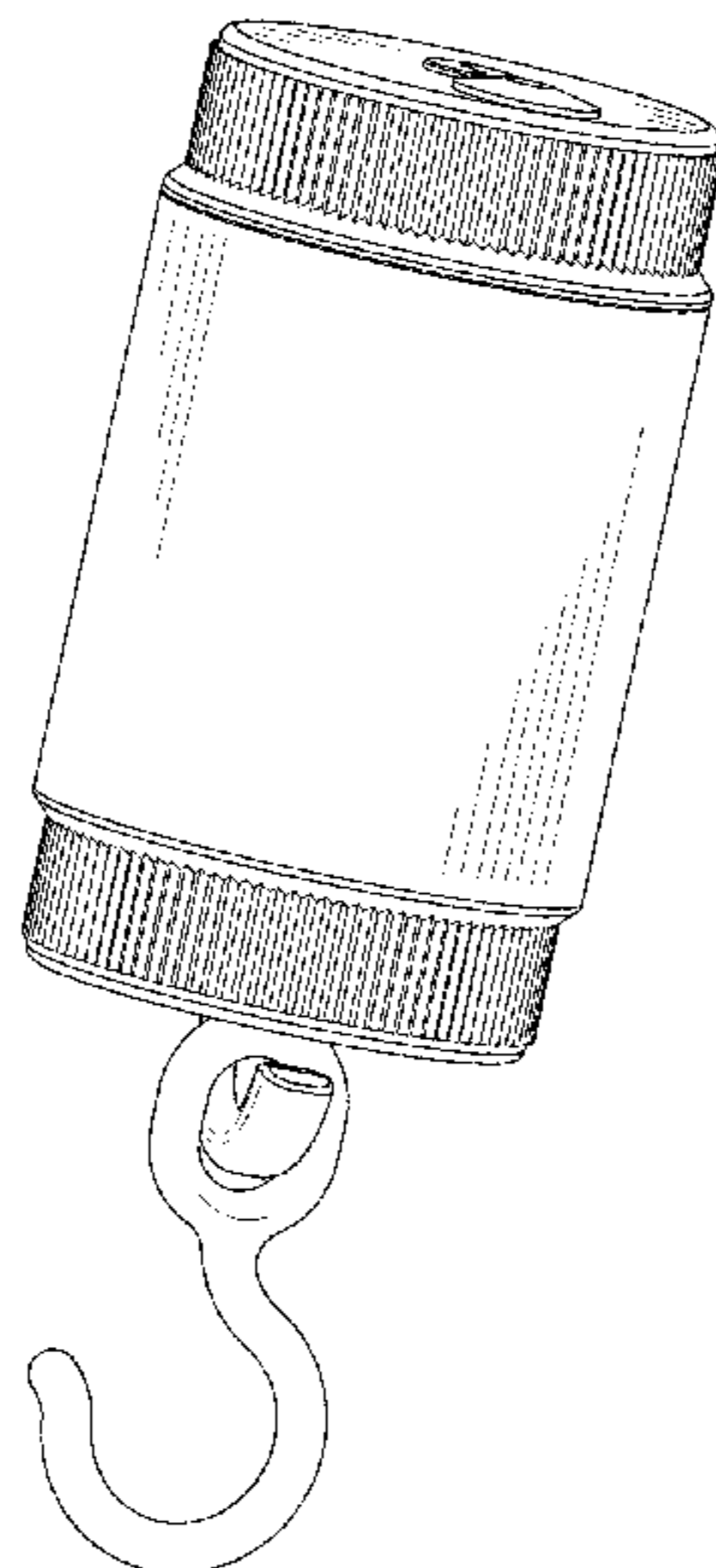
The ornamental design for a battery box, as shown and described.

DESCRIPTION

FIG. 1 is a front, top, left side perspective view of a battery box, showing my new design;
FIG. 2 is an enlarged back, top perspective view thereof;
FIG. 3 is a front elevational view thereof;
FIG. 4 is a rear elevational view thereof;
FIG. 5 is a left side elevational view thereof;
FIG. 6 is a right side elevational view thereof;
FIG. 7 is a top plan view thereof;
FIG. 8 is a bottom plan view thereof; and,
FIG. 9 is a front, bottom, right side perspective view thereof, shown in an alternate position of use.

(56) **References Cited**
U.S. PATENT DOCUMENTS
D400,160 S * 10/1998 Nagano D13/103
D585,893 S * 2/2009 Wang D14/480.2
D616,416 S * 5/2010 Lin D14/189
D633,035 S * 2/2011 Heine D13/103
D774,452 S * 12/2016 Rost D13/103
D778,915 S * 2/2017 Skelton D14/435.1
D835,578 S * 12/2018 Bai D13/108
D844,557 S * 4/2019 Wang D13/103
D845,233 S * 4/2019 Zeng D13/108
D848,946 S * 5/2019 Xie D13/119
D860,943 S * 9/2019 Xie D13/119

1 Claim, 7 Drawing Sheets



(56)

References Cited

U.S. PATENT DOCUMENTS

D884,603 S * 5/2020 Xie D13/103
D884,604 S * 5/2020 Xie D13/103

* cited by examiner

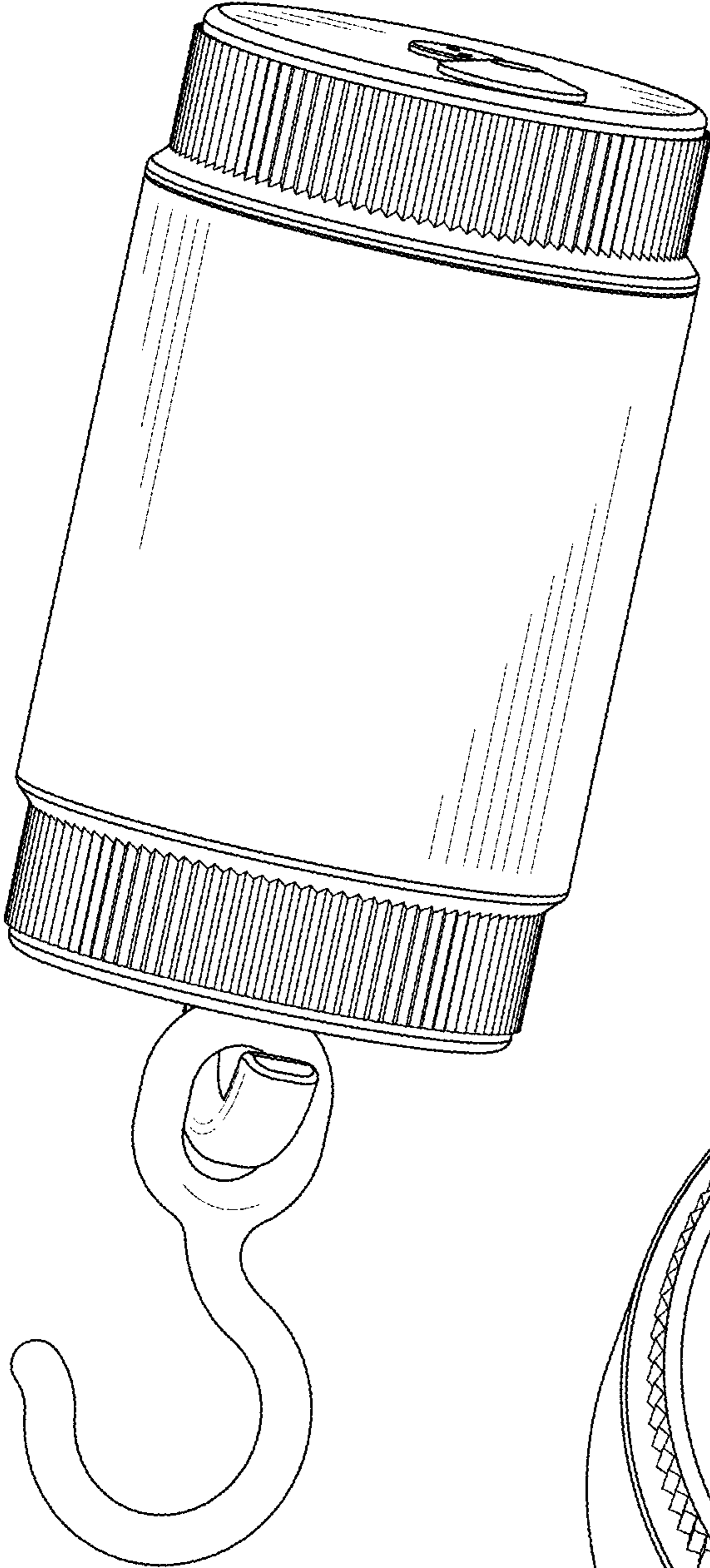


FIG. 1

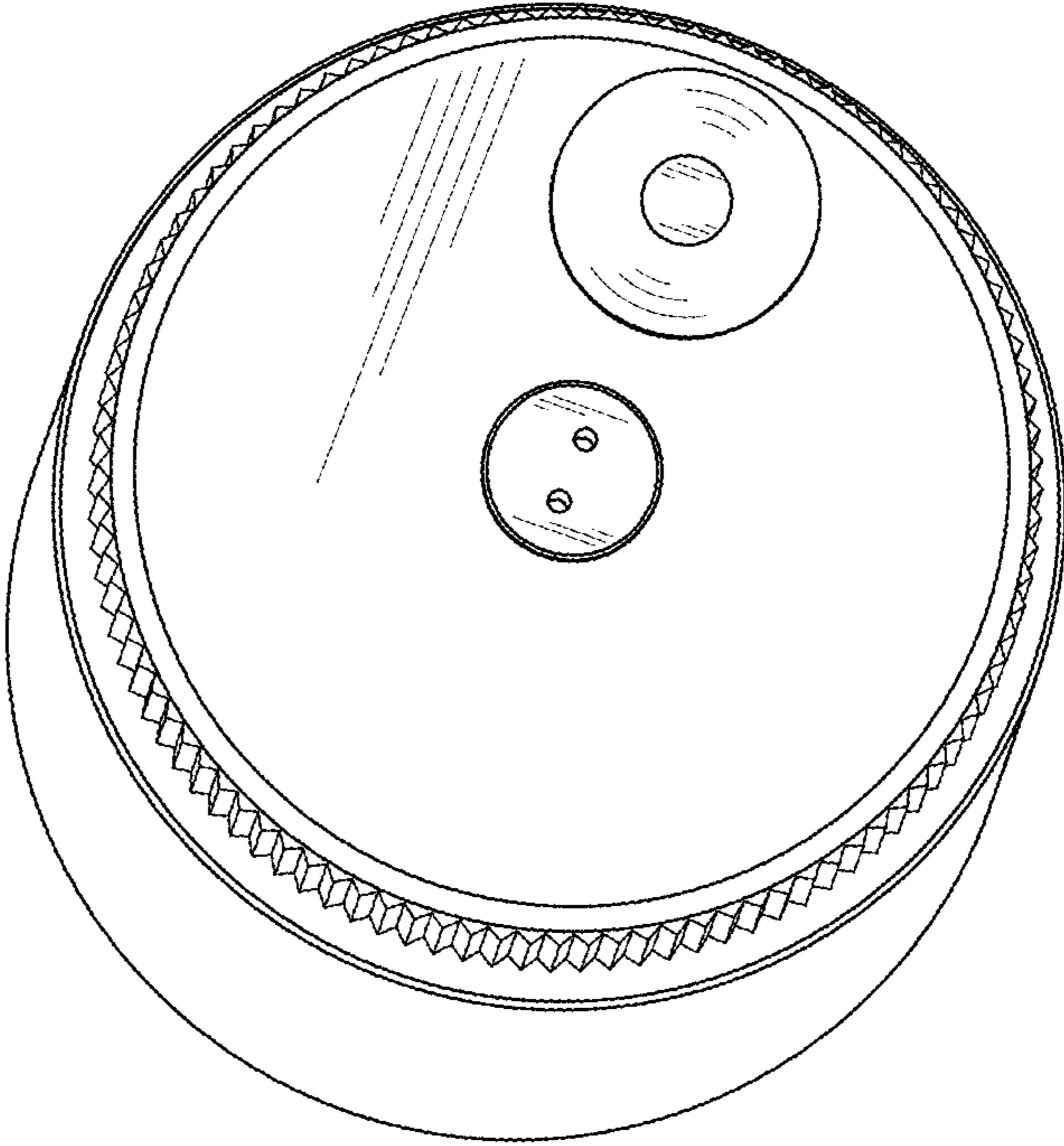


FIG. 2

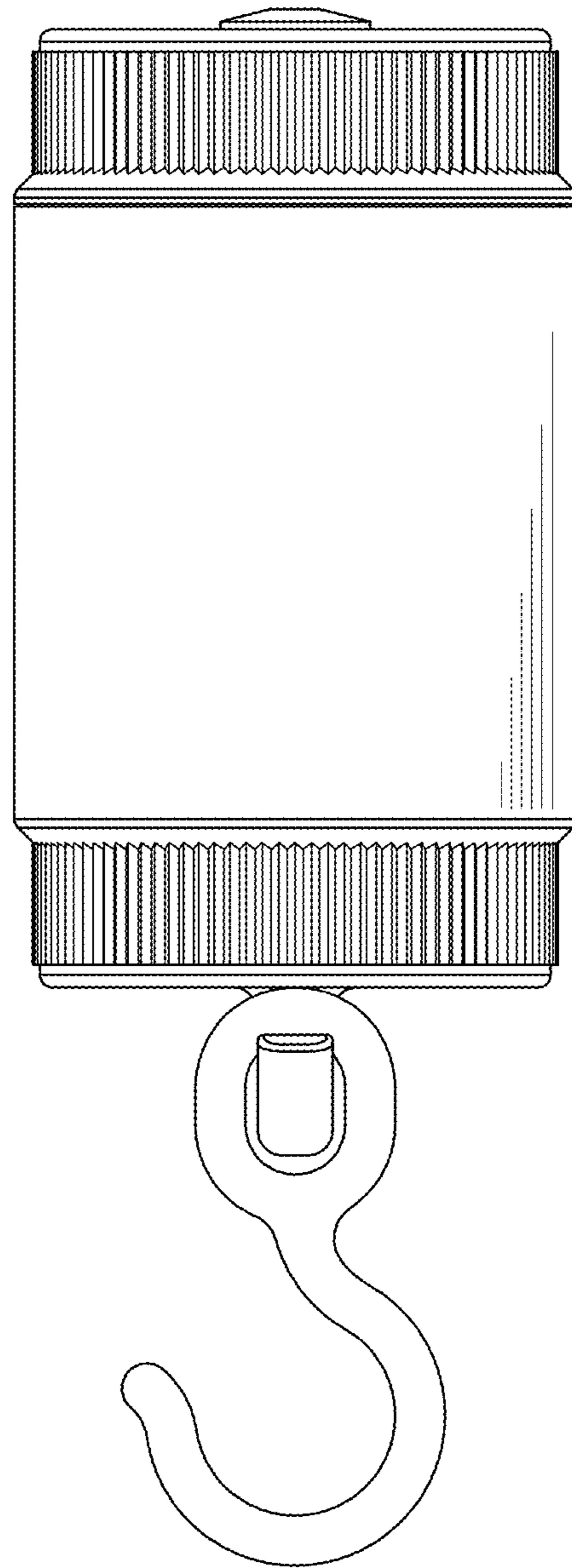


FIG. 3

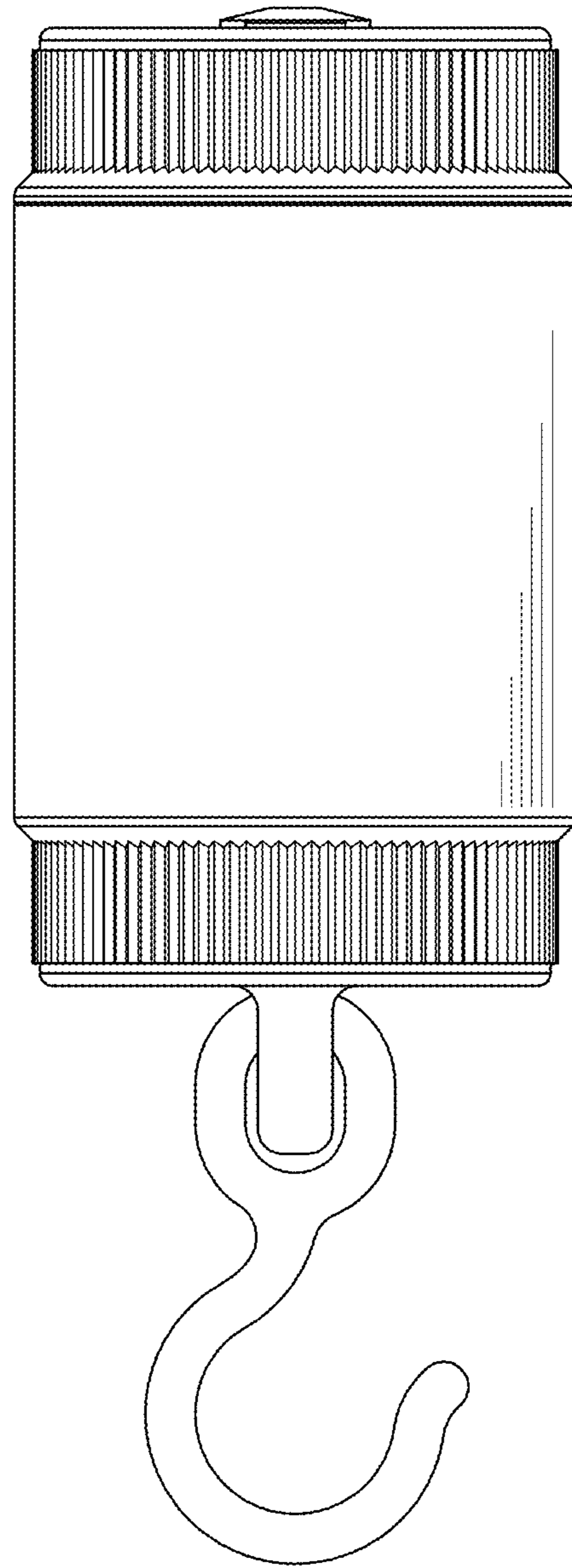


FIG. 4

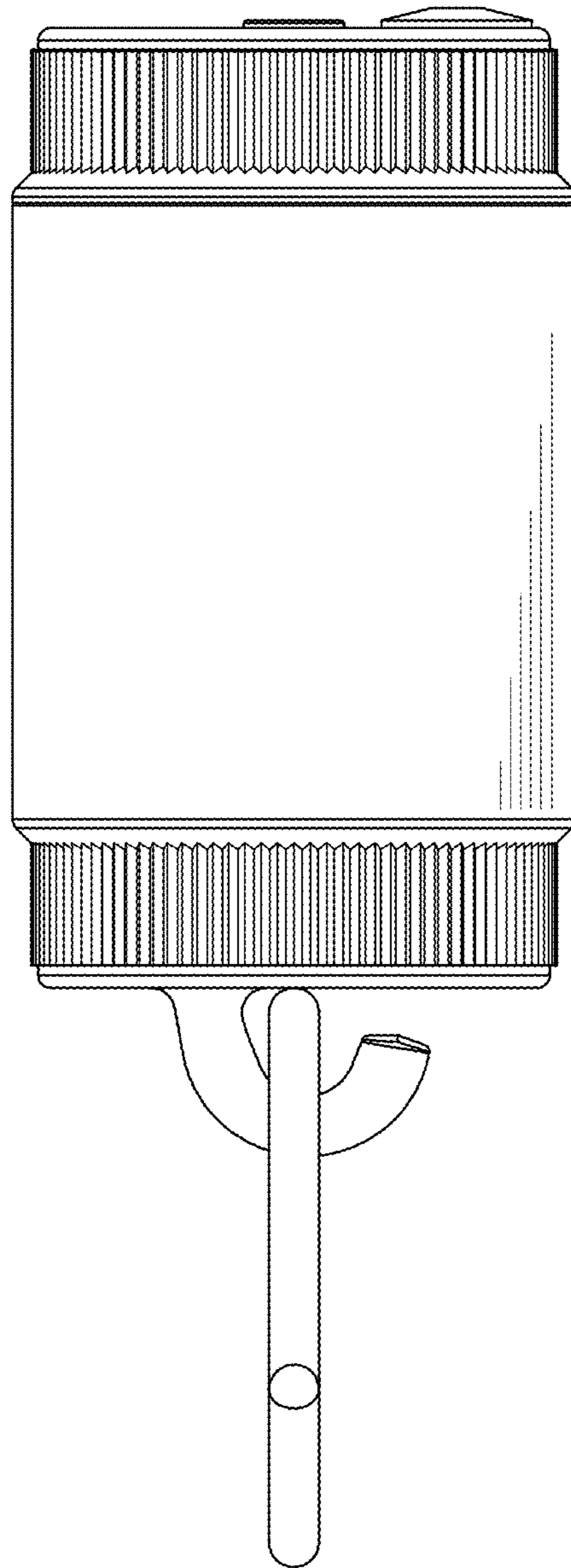


FIG. 5

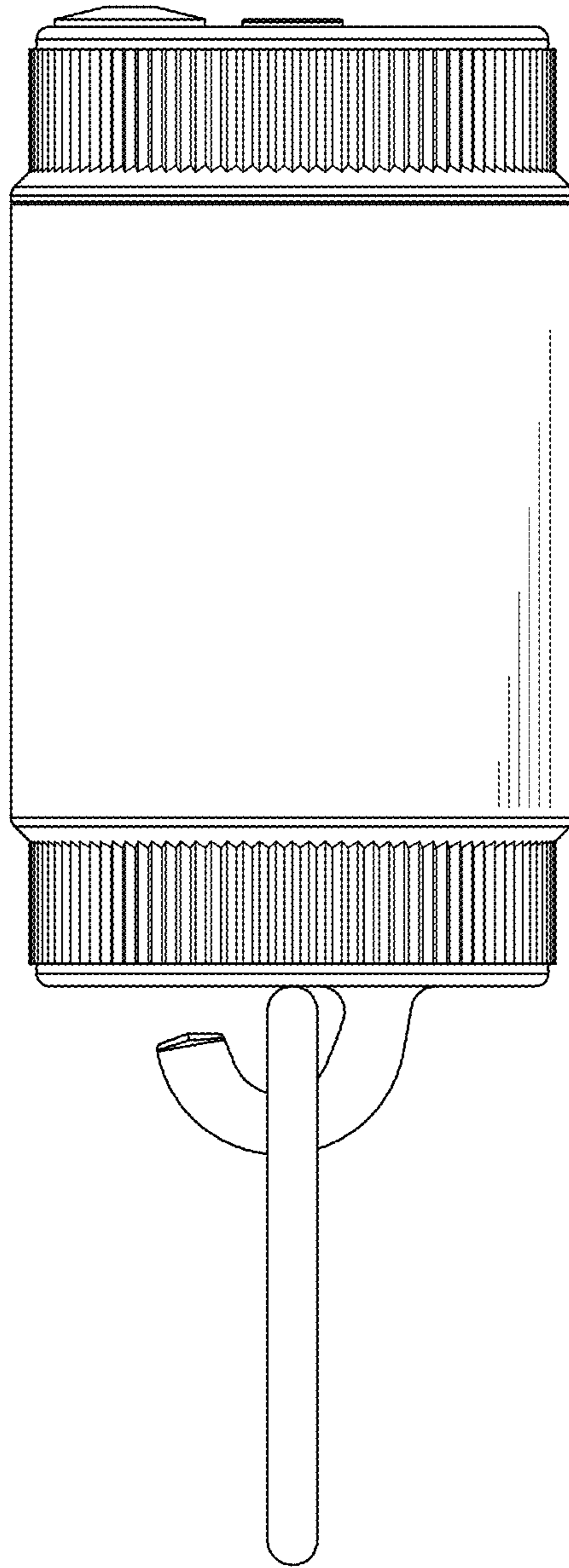


FIG. 6

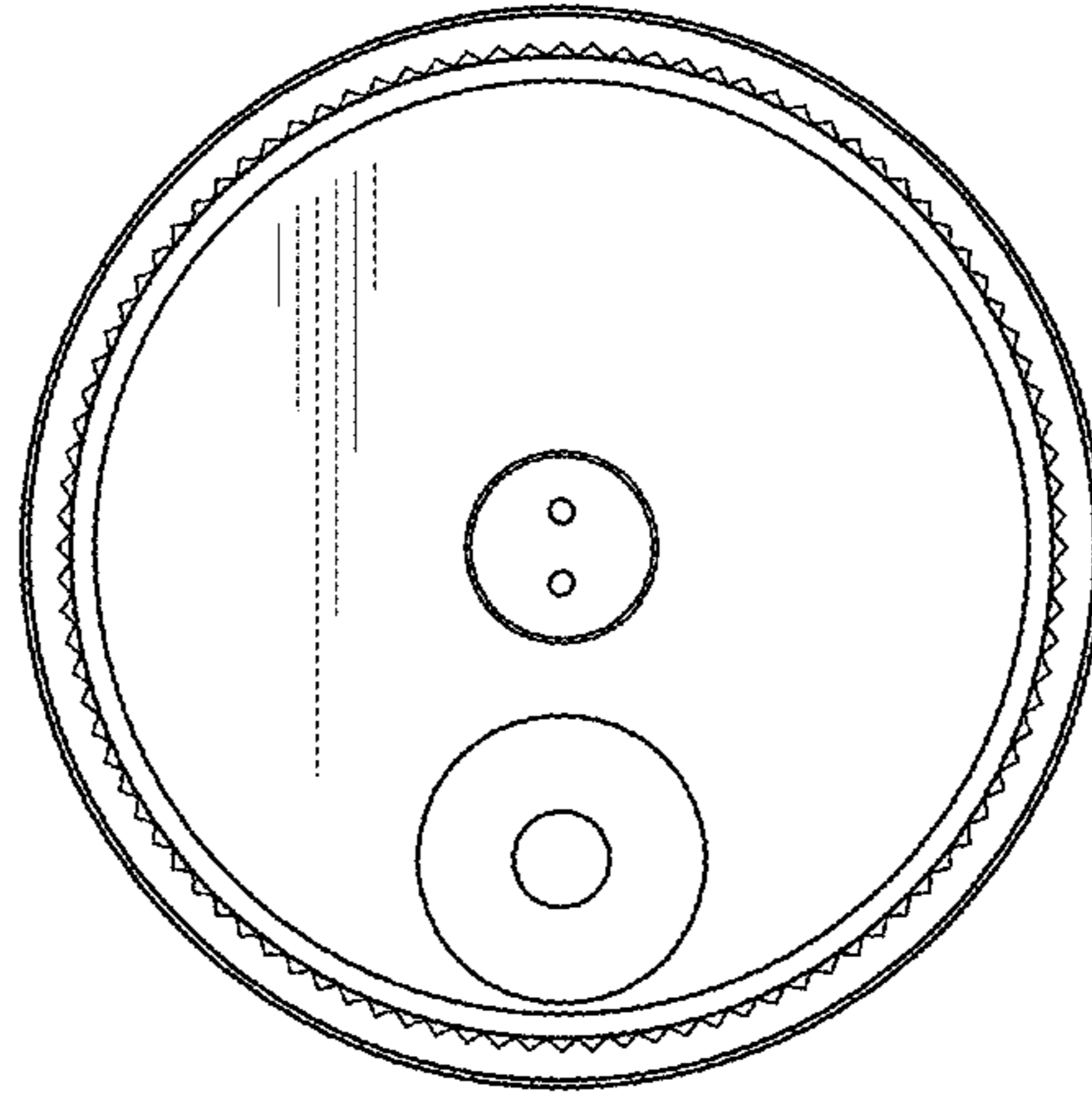


FIG. 7

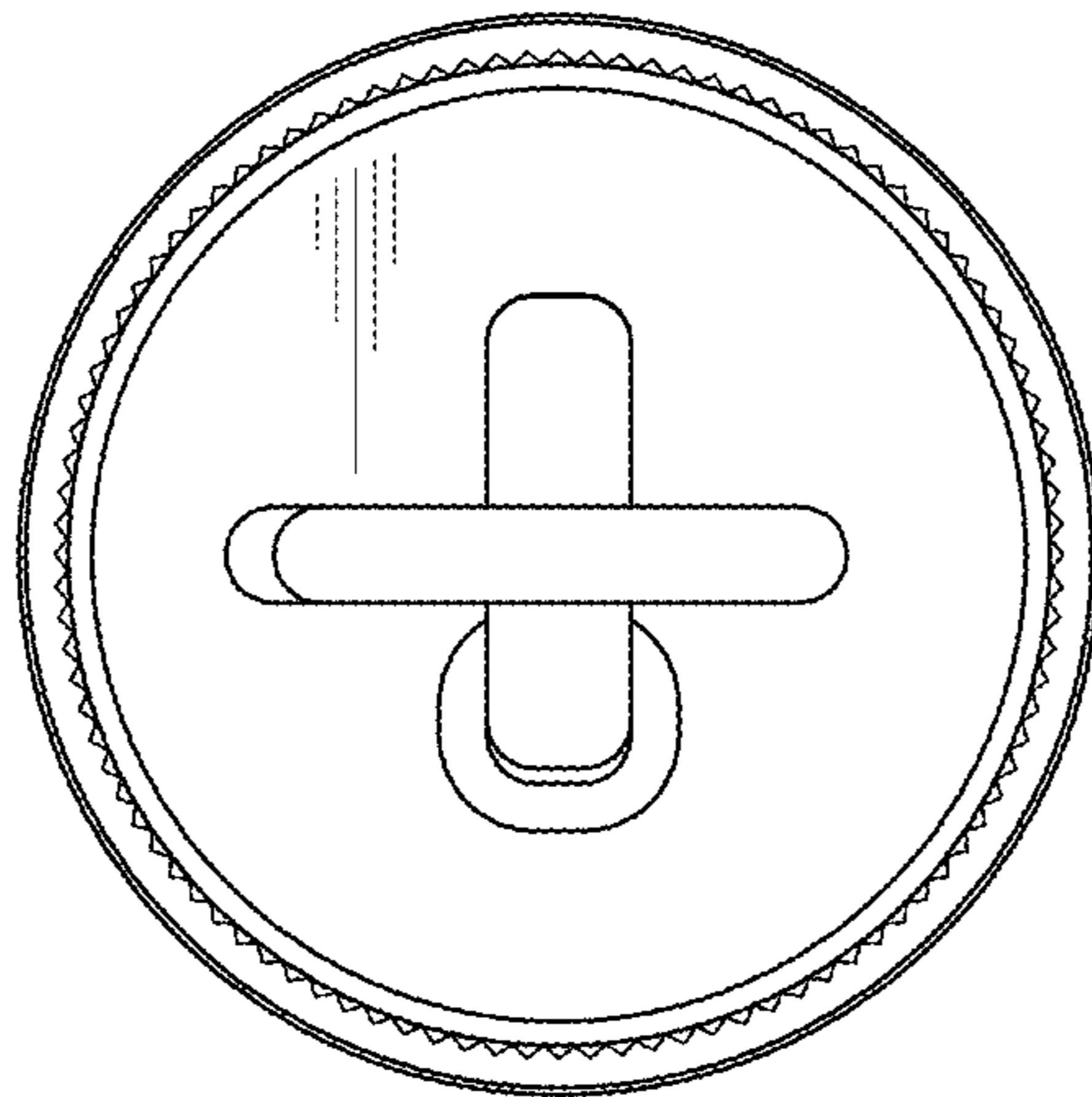


FIG. 8

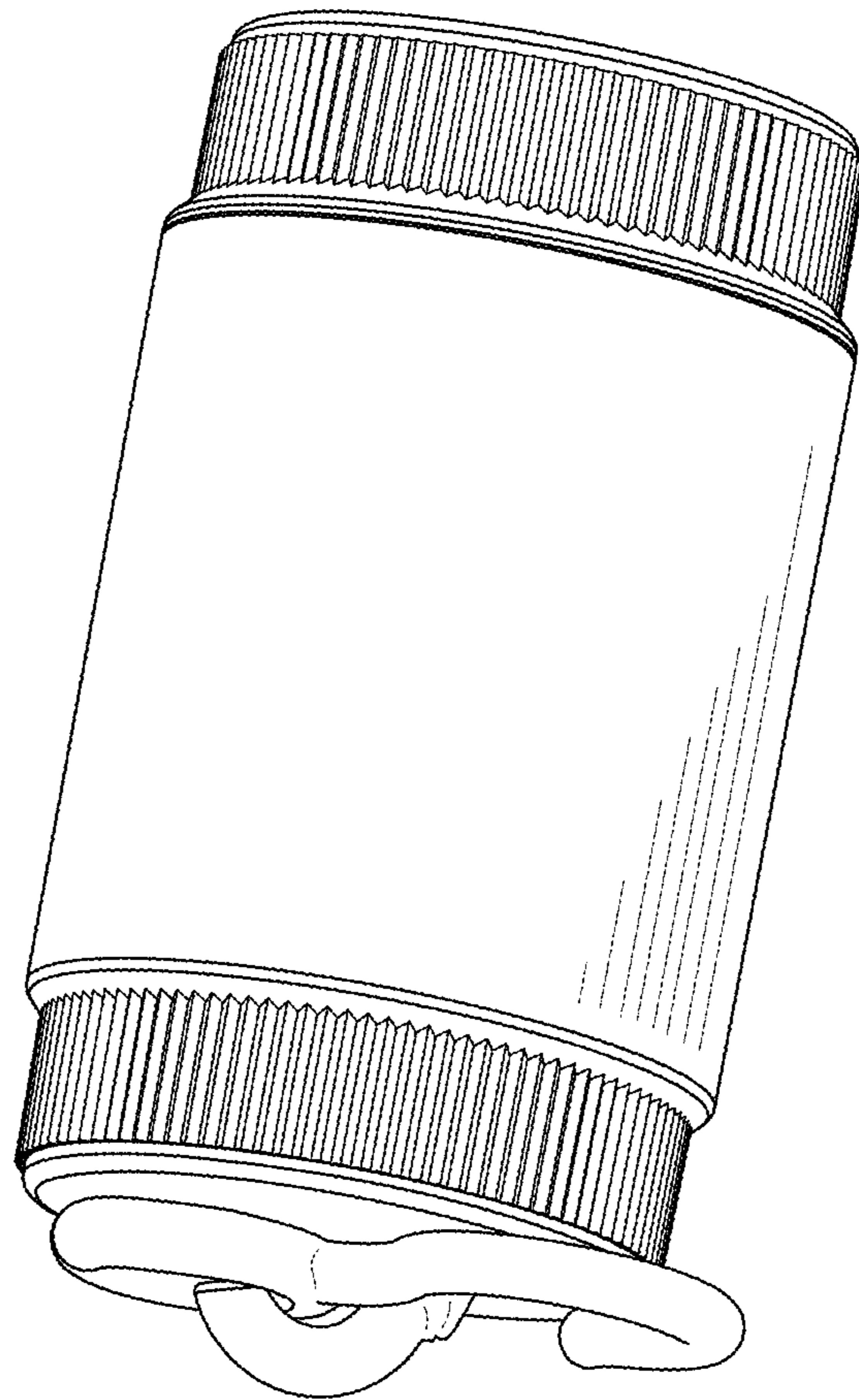


FIG. 9