



US00D916004S

(12) **United States Design Patent**
Kuwahara

(10) **Patent No.:** **US D916,004 S**

(45) **Date of Patent:** **** Apr. 13, 2021**

- (54) **AUTOMOBILE TIRE**
- (71) Applicant: **THE YOKOHAMA RUBBER CO., LTD.**, Tokyo (JP)
- (72) Inventor: **Noboru Kuwahara**, Tokyo (JP)
- (73) Assignee: **THE YOKOHAMA RUBBER CO., LTD.**, Tokyo (JP)

- D695,211 S * 12/2013 Yasunaga D12/605
- D700,886 S * 3/2014 Matsumoto D12/605
- D740,747 S * 10/2015 Sato D12/605
- D754,063 S * 4/2016 Iwabuchi D12/605
- D777,094 S * 1/2017 Takahashi D12/605
- D778,816 S * 2/2017 Tokizaki D12/605
- D791,694 S * 7/2017 Sato D12/605
- D800,646 S * 10/2017 Sato D12/605
- D800,647 S * 10/2017 Morito D12/605
- D822,590 S * 7/2018 Maxwell D12/605
- D829,162 S * 9/2018 Sano D12/605

(Continued)

(**) Term: **15 Years**

Primary Examiner — Michelle E. Wilson

Assistant Examiner — Clese Moore, Jr.

(21) Appl. No.: **29/706,560**

(74) *Attorney, Agent, or Firm* — Banner & Witcoff, Ltd.

(22) Filed: **Sep. 20, 2019**

(30) **Foreign Application Priority Data**

Mar. 22, 2019 (JP) 2019-006095

(51) **LOC (13) Cl.** **12-15**

(52) **U.S. Cl.**
USPC **D12/605**

(58) **Field of Classification Search**
USPC D12/604, 605
CPC B60C 13/00; B60C 1/00
See application file for complete search history.

(56) **References Cited**

U.S. PATENT DOCUMENTS

- D450,034 S * 11/2001 Kajikawa D12/605
- D452,203 S * 12/2001 Kajikawa D12/605
- D588,532 S * 3/2009 Shondel D12/605
- D611,403 S * 3/2010 Kuwano D12/605
- D638,783 S * 5/2011 Endou D12/605
- D662,465 S * 6/2012 Takano D12/605
- D662,466 S * 6/2012 Takano D12/605
- D671,066 S * 11/2012 Morito D12/605
- D674,744 S * 1/2013 Miyazaki D12/605
- D681,546 S * 5/2013 Sato D12/605
- D681,547 S * 5/2013 Sato D12/605
- D683,695 S * 6/2013 Takeshima D12/605

(57) **CLAIM**

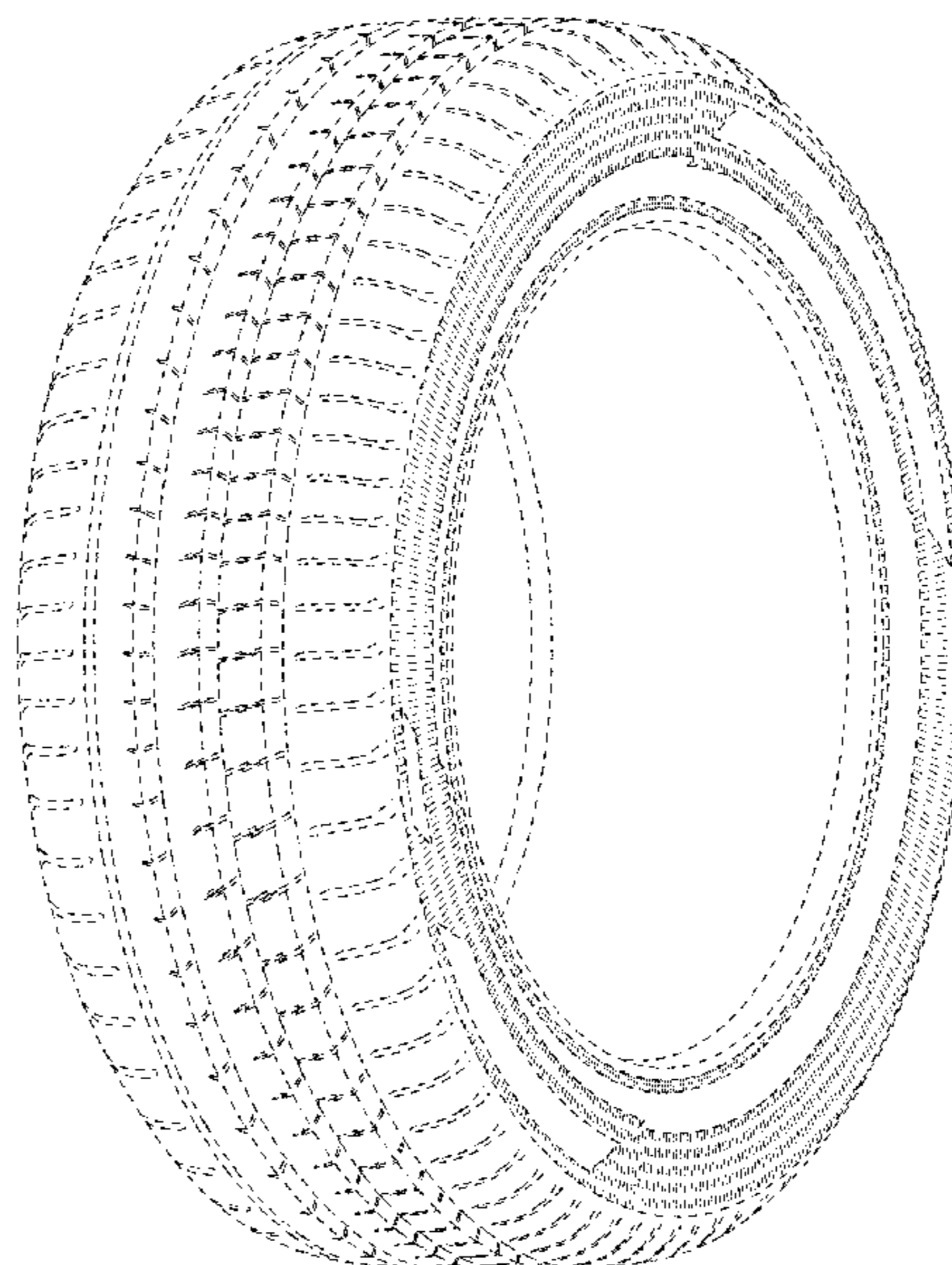
The ornamental design for an automobile tire, as shown and described.

DESCRIPTION

FIG. 1 is a perspective view showing front and right sides of an automobile tire showing my design;
 FIG. 2 is a perspective view showing front and left sides thereof;
 FIG. 3 is a front view thereof;
 FIG. 4 is a rear view thereof;
 FIG. 5 is a right side view thereof;
 FIG. 6 is a left side view thereof;
 FIG. 7 is a top view thereof;
 FIG. 8 is a bottom view thereof;
 FIG. 9 is a partially enlarged view of a portion defined by lines 9-9 shown in FIG. 2;
 FIG. 10 is a partially enlarged view of a portion defined by lines 10-10 shown in FIG. 6; and,
 FIG. 11 is a cross sectional view of a portion defined by lines 11-11 shown in FIG. 10.

In the drawings, the broken lines depict environmental subject matter only and form no part of the claimed design.

1 Claim, 11 Drawing Sheets



(56)

References Cited

U.S. PATENT DOCUMENTS

D829,644 S * 10/2018 Morita D12/605
D829,645 S * 10/2018 Morita D12/605
D830,292 S * 10/2018 Baggetta D12/605

* cited by examiner

FIG. 1

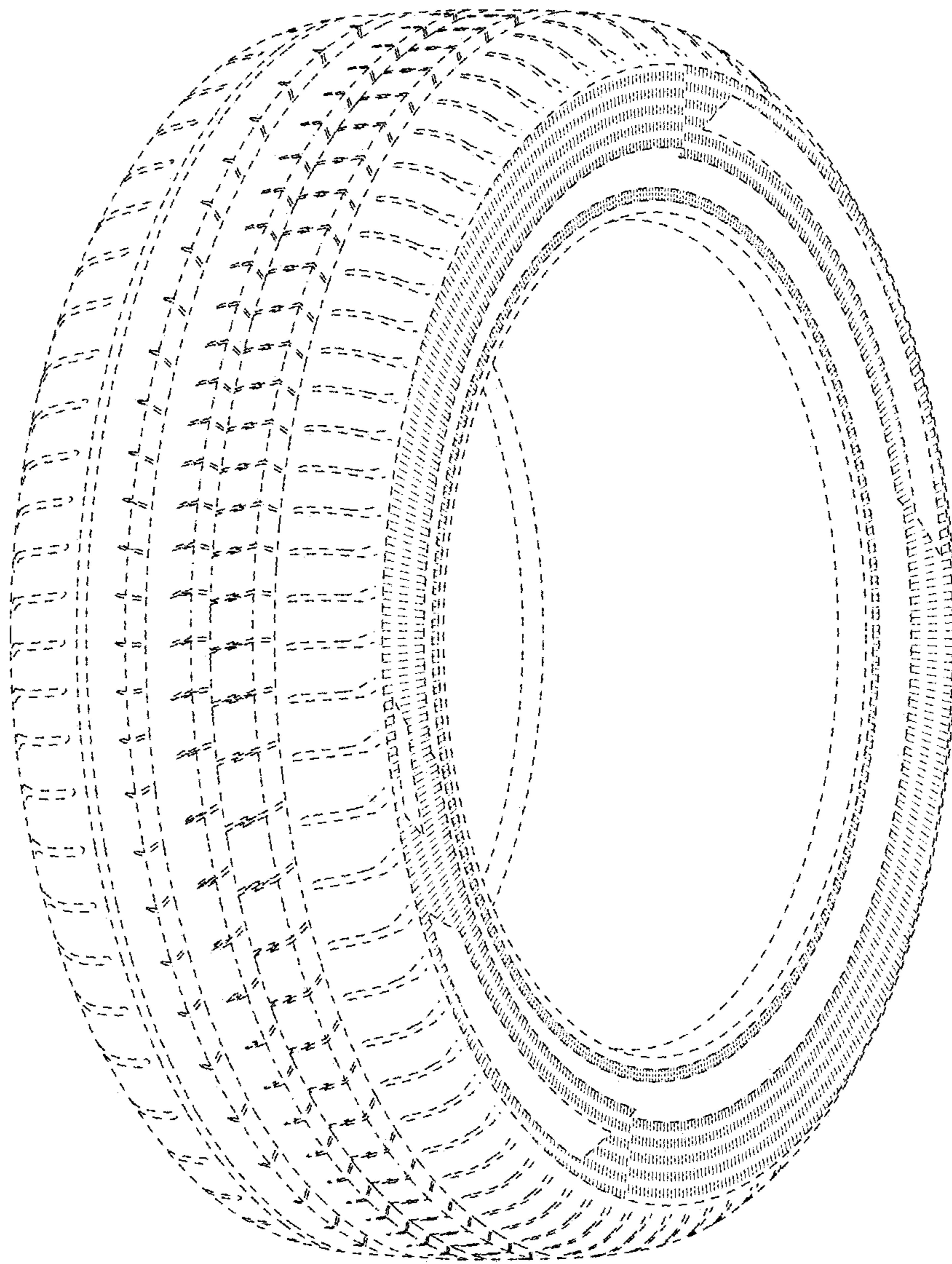


FIG. 2

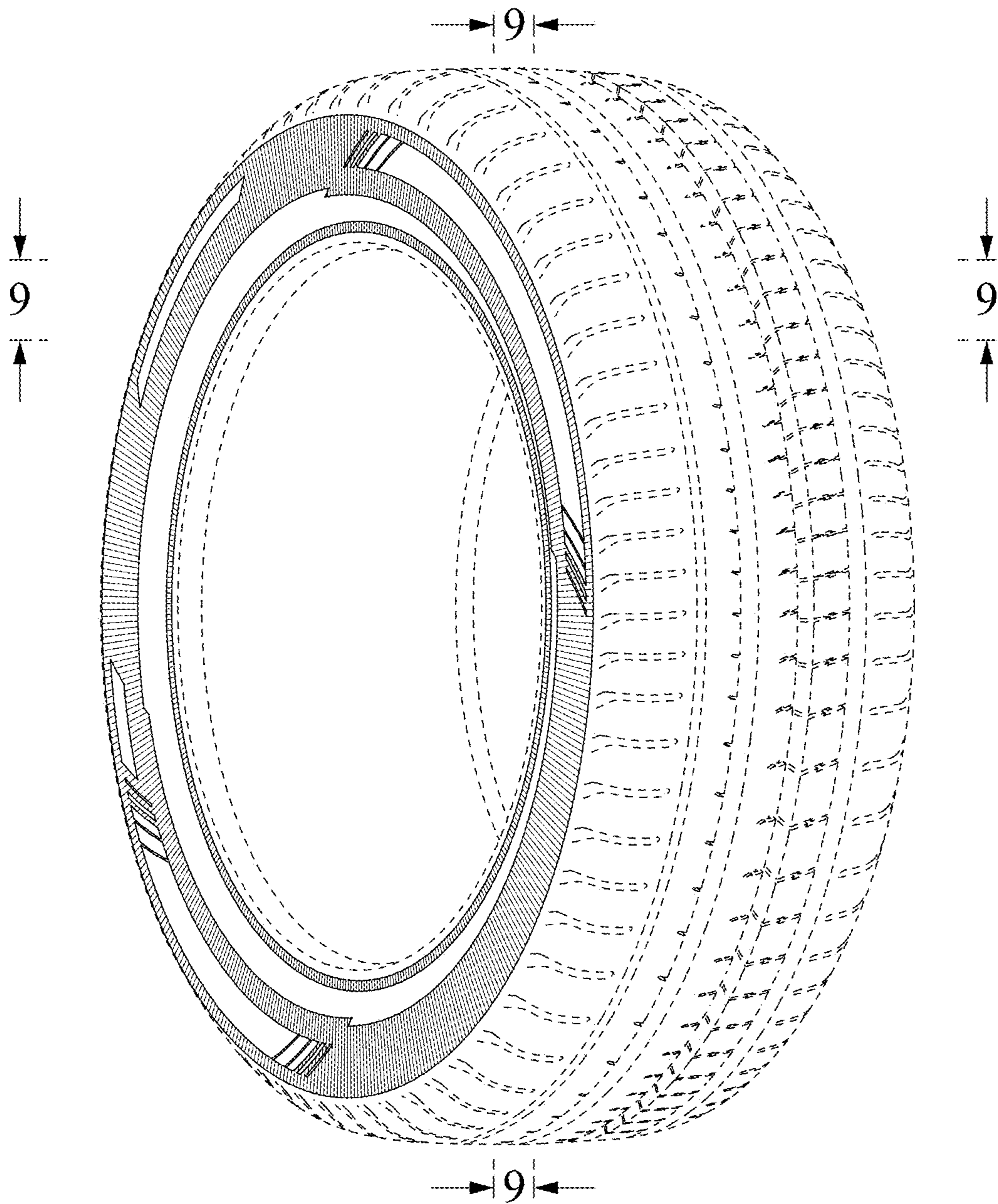


FIG. 3

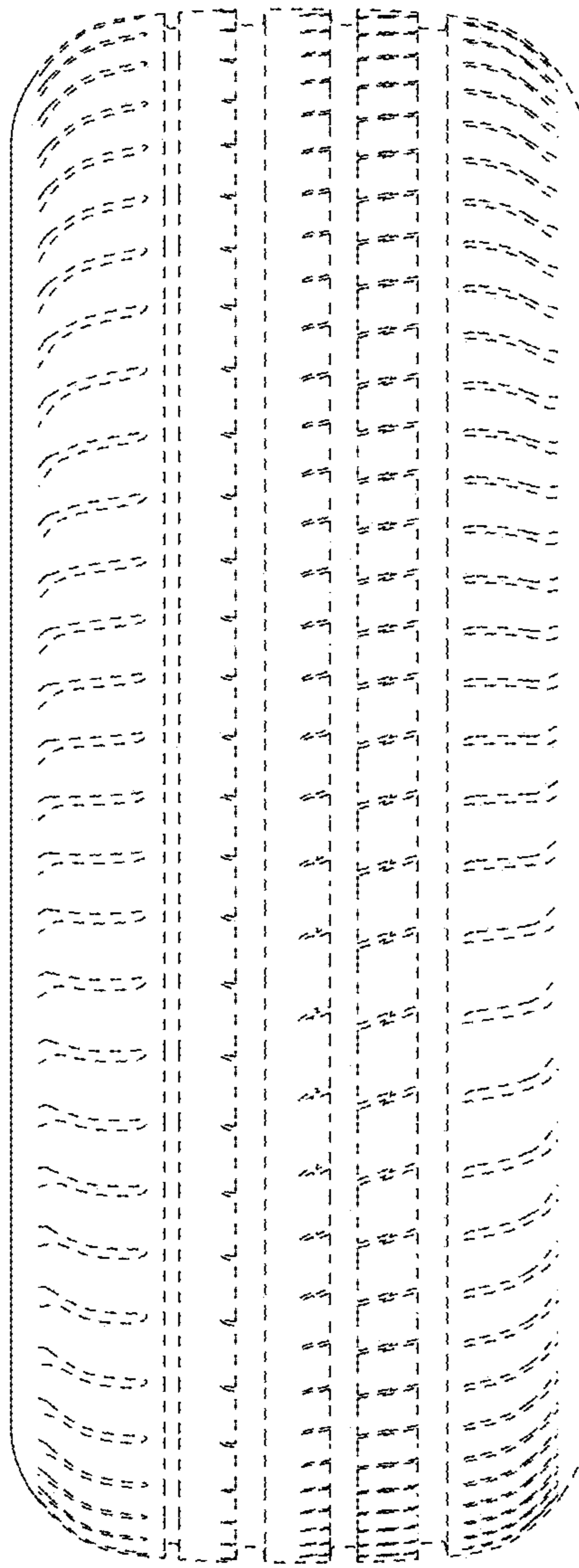


FIG. 4

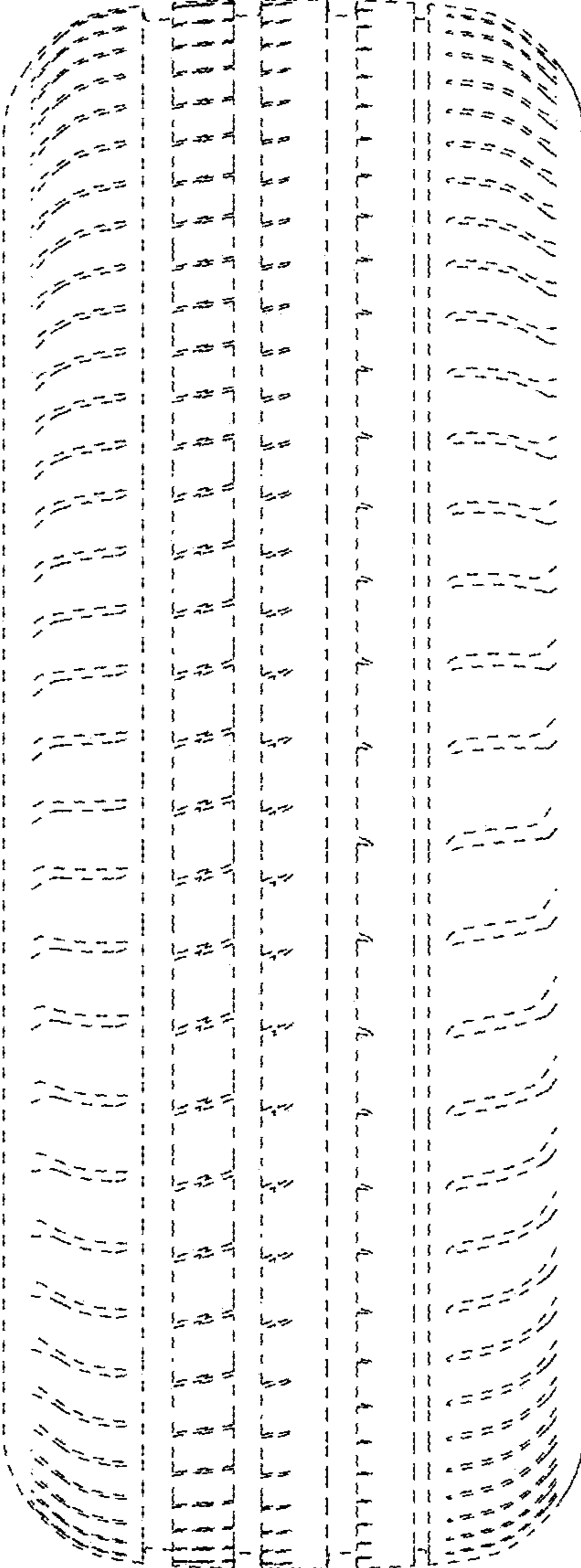


FIG. 5

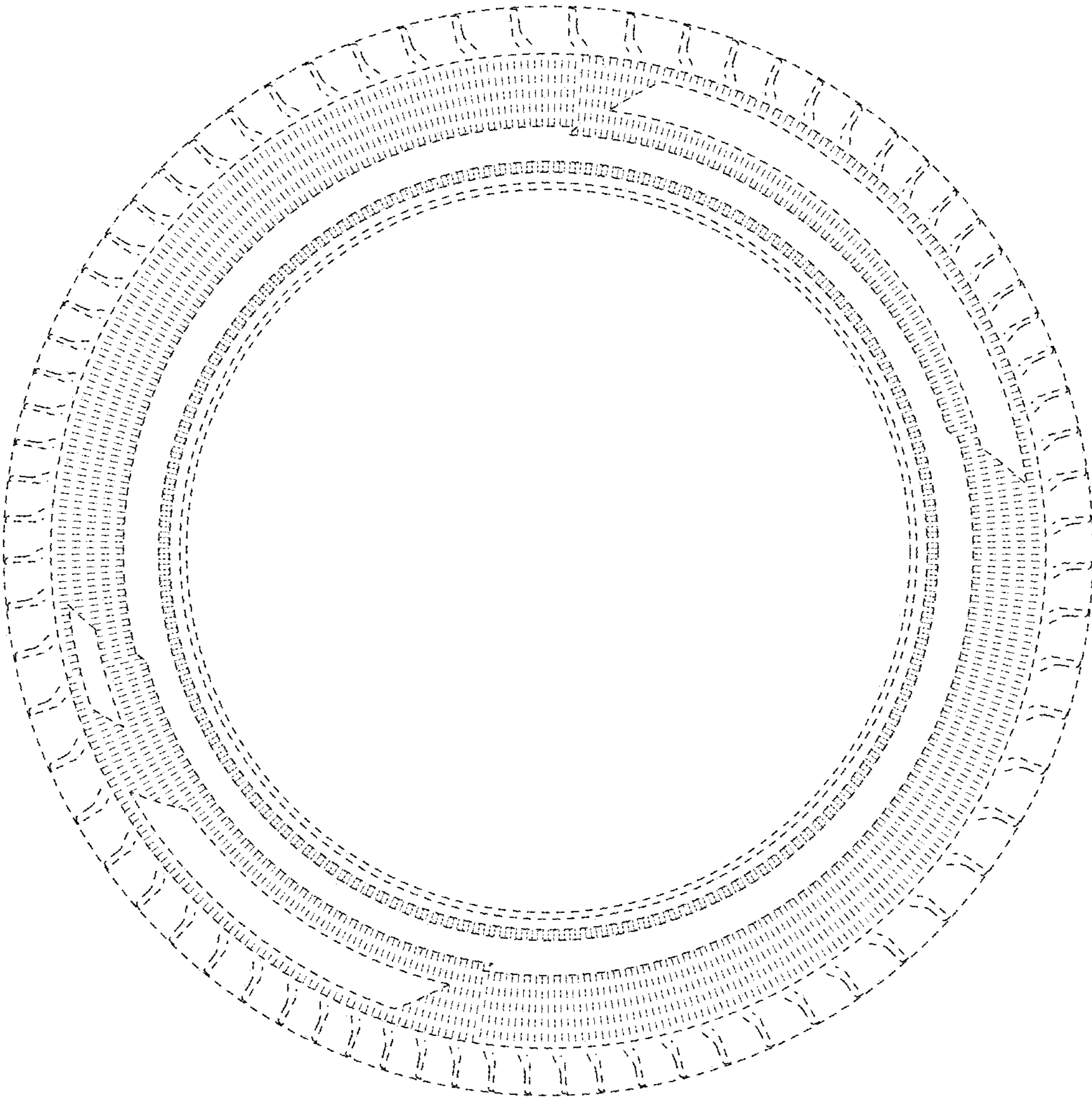


FIG. 6

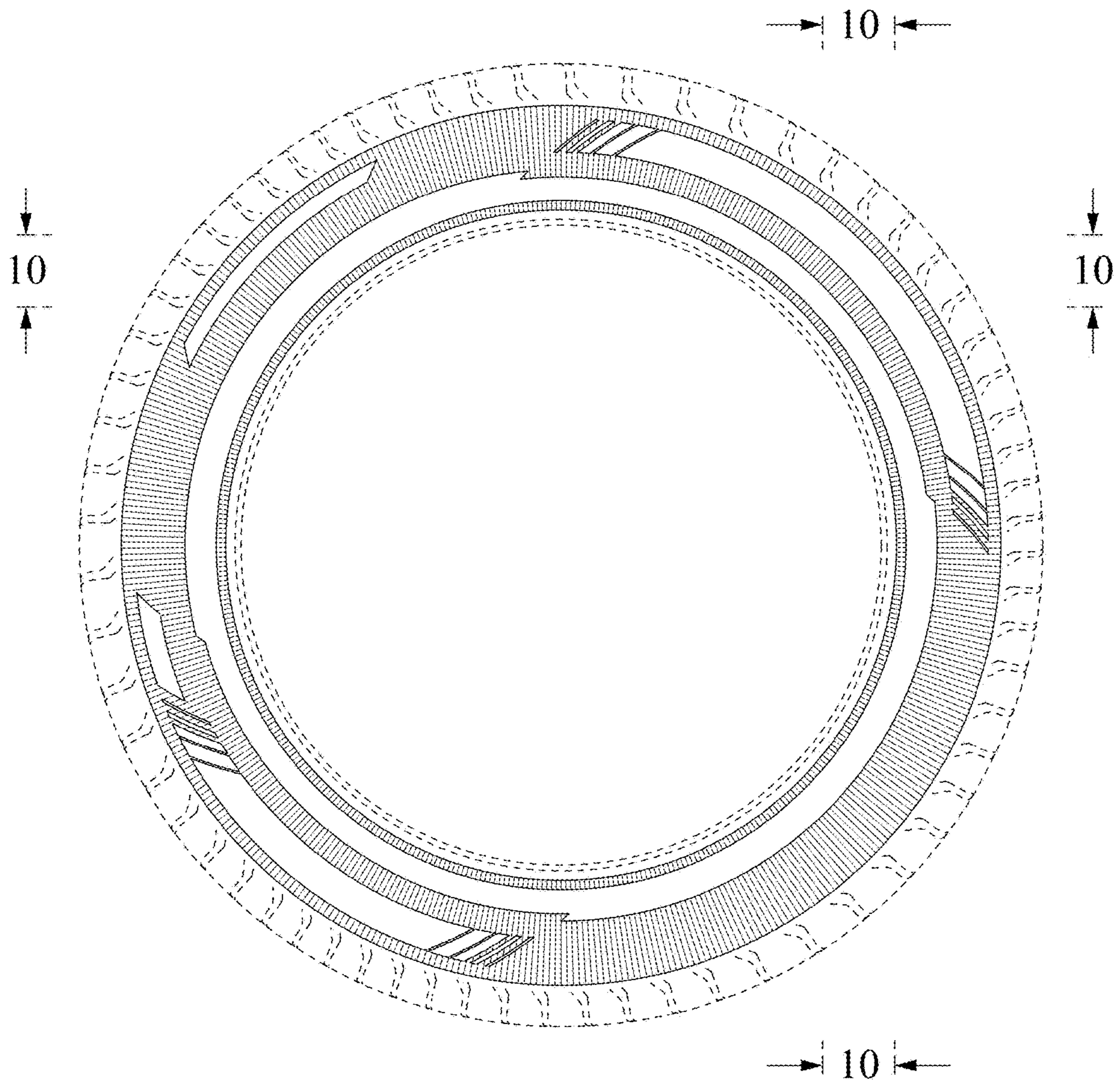


FIG. 7

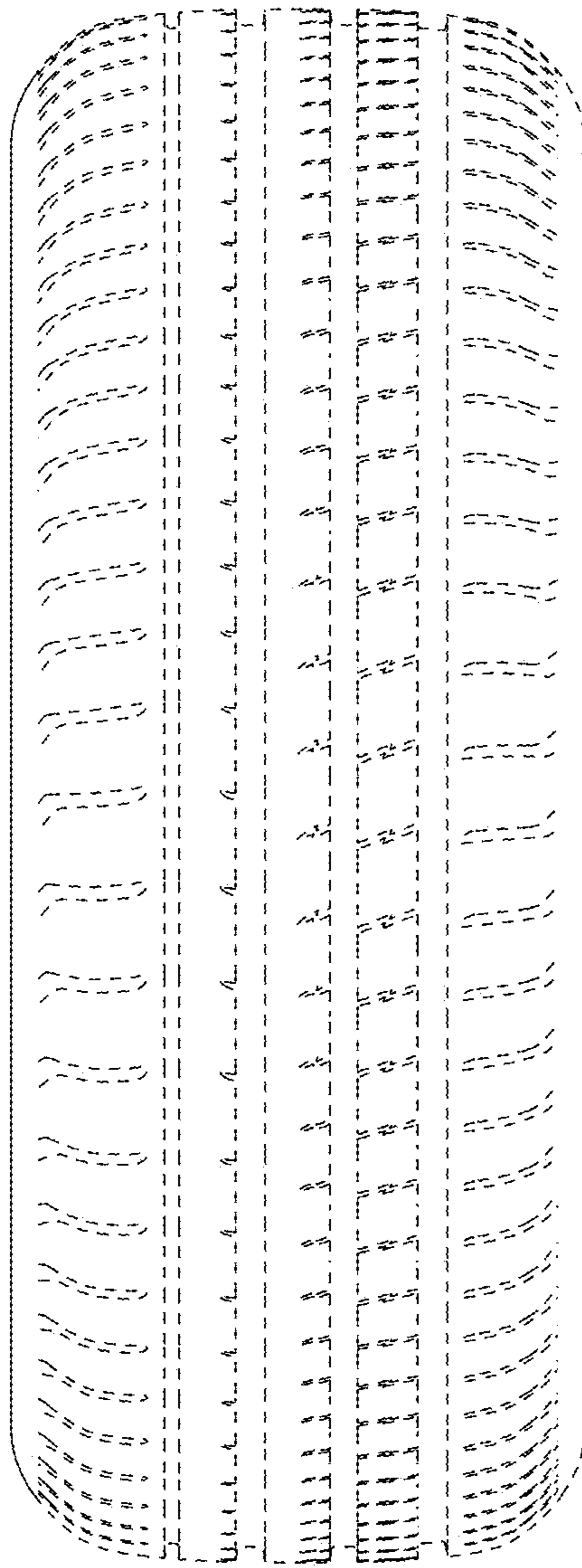


FIG. 8

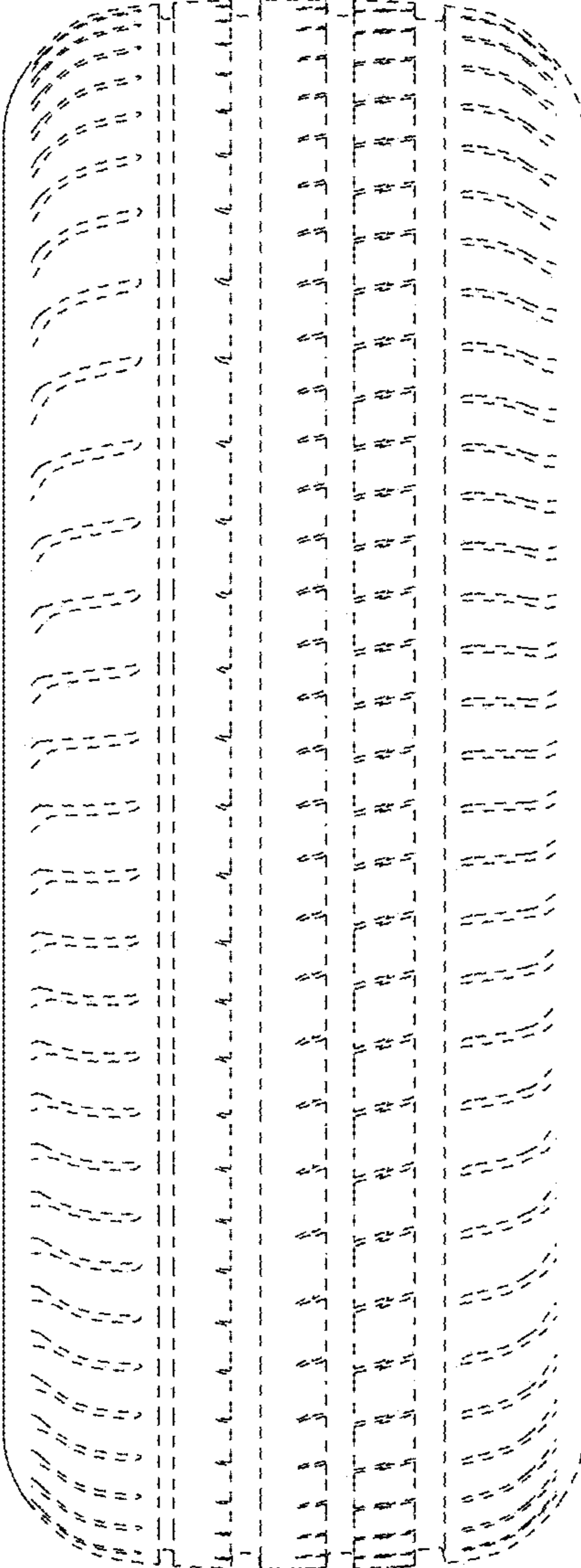


FIG. 9

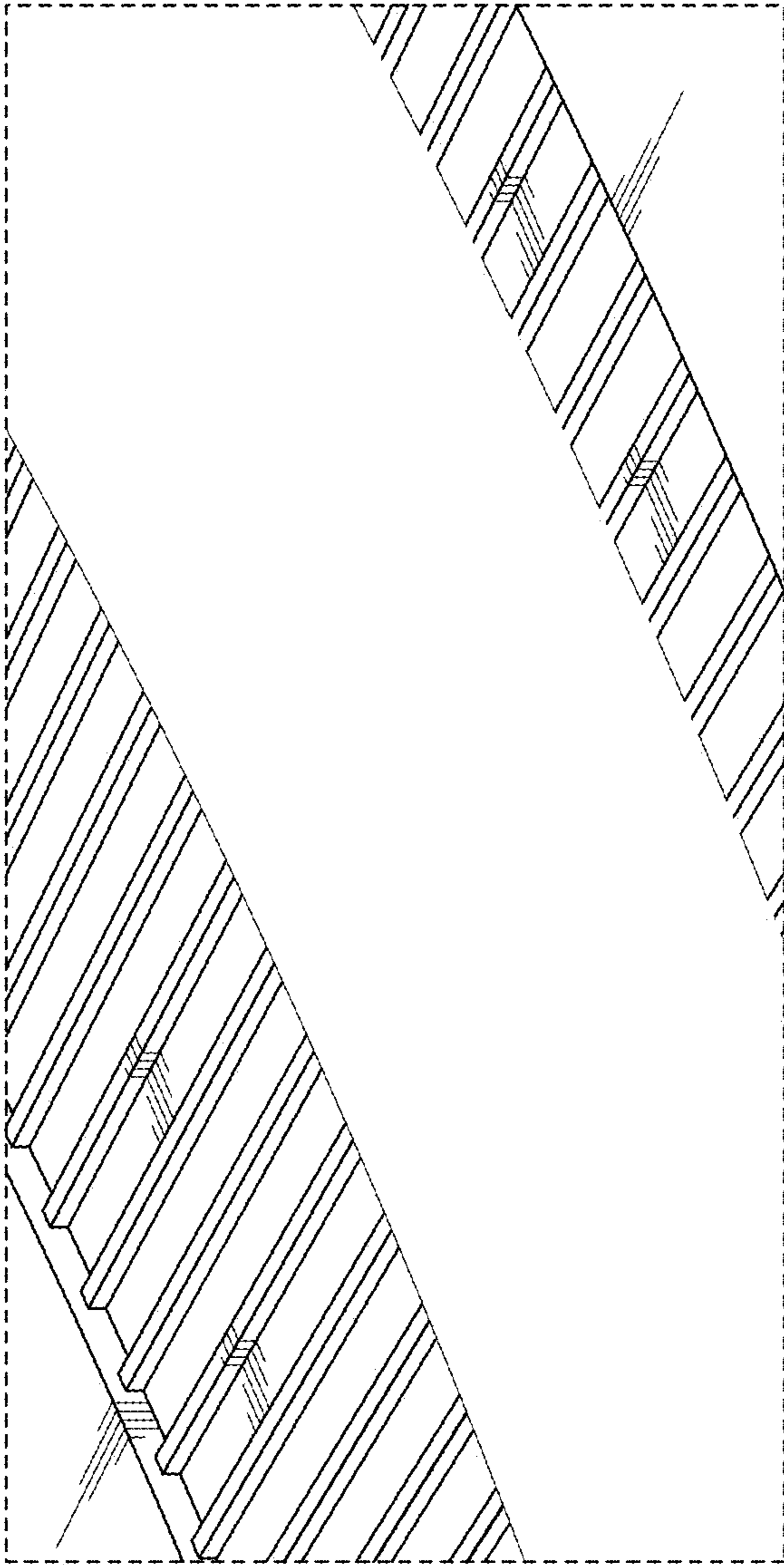


FIG. 10

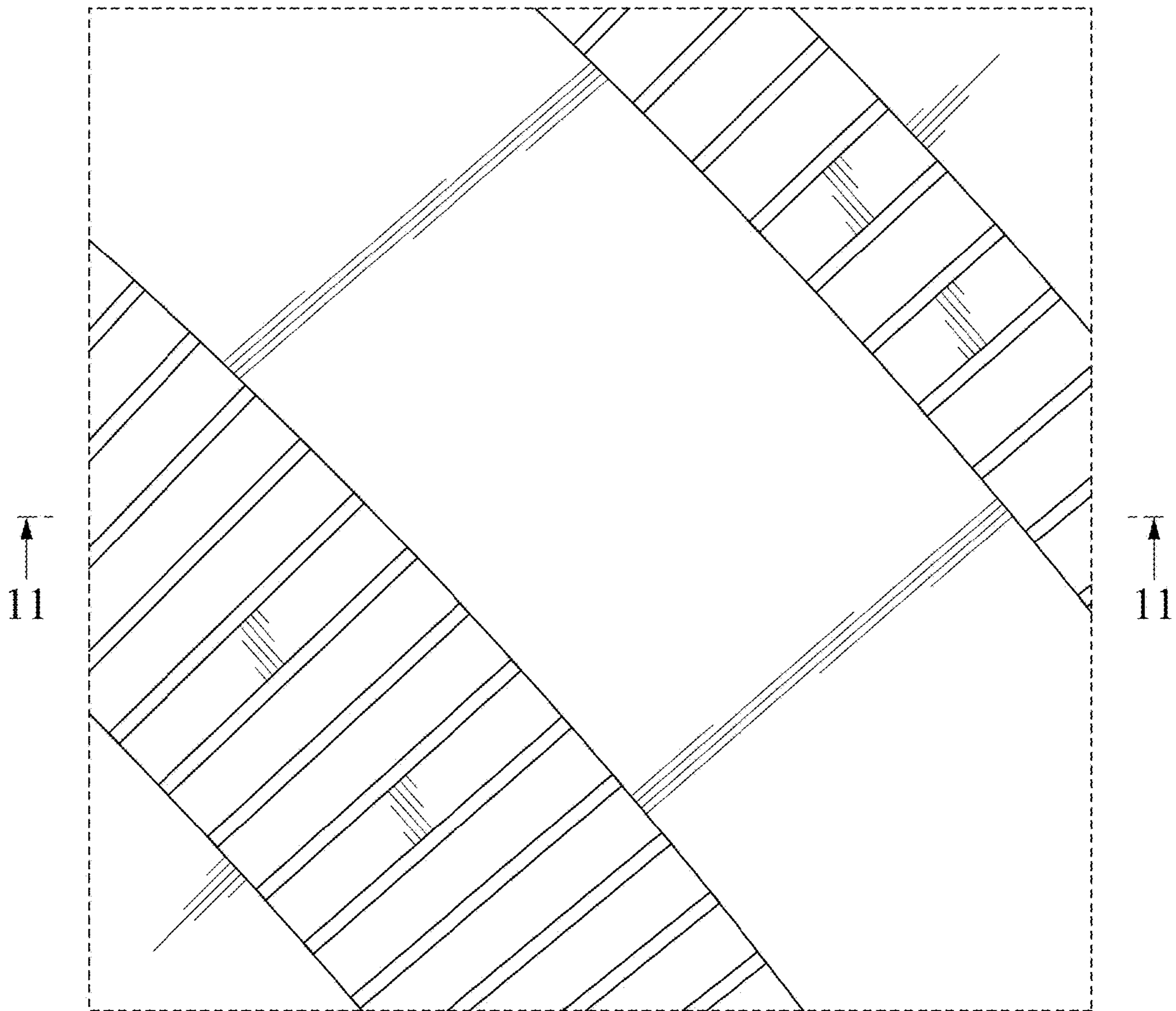


FIG. 11

