



US00D916000S

(12) **United States Design Patent**
Lin et al.

(10) **Patent No.:** **US D916,000 S**
(45) **Date of Patent:** **** Apr. 13, 2021**

(54) **PASSENGER SEATING APPARATUS**

(71) Applicant: **Rockwell Collins, Inc.**, Cedar Rapids, IA (US)

(72) Inventors: **Jaan Lin**, Winston-Salem, NC (US);
Dan Udriste, Winston-Salem, NC (US);
Stephen A. Puglisi, Greensboro, NC (US);
Ryan J. Suhre, Winston-Salem, NC (US)

(73) Assignee: **Rockwell Collins, Inc.**, Cedar Rapids, IA (US)

(**) Term: **15 Years**

(21) Appl. No.: **29/643,336**

(22) Filed: **Apr. 6, 2018**

(51) **LOC (13) Cl.** **12-16**

(52) **U.S. Cl.**
USPC **D12/416; D12/345**

(58) **Field of Classification Search**
USPC D12/52, 345, 416, 423, 44, 42, 319,
D12/414.1, 415, 421, 424, 426, 426.1,
D12/419; D6/332-338, 344, 348, 356,
D6/360-368, 369-371, 374, 377, 380,
D6/381, 708, 716, 500-502, 511, 492;
224/29.5, 405; 296/416.16, 24.34;
(Continued)

(56) **References Cited**

U.S. PATENT DOCUMENTS

D273,157 S * 3/1984 Staub D6/356
5,564,144 A * 10/1996 Weingartner A47C 7/26
297/452.27

(Continued)

OTHER PUBLICATIONS

B/E Aerospace Shows Off Seats, Lighting and Nespresso, Apex.
Aero, Apr. 5, 2016 in Comfort Written by Kristina Velan, [online],

[site visited May 1, 2020]. <URL: <https://apex.aero/2016/04/05/BE-Aerospace-shows-off-seats-lighting-nespresso-AIX>> (Year: 2016).*

(Continued)

Primary Examiner — T Chase Nelson

Assistant Examiner — Jonathan J. Han

(74) *Attorney, Agent, or Firm* — Suiter Swantz pc llo

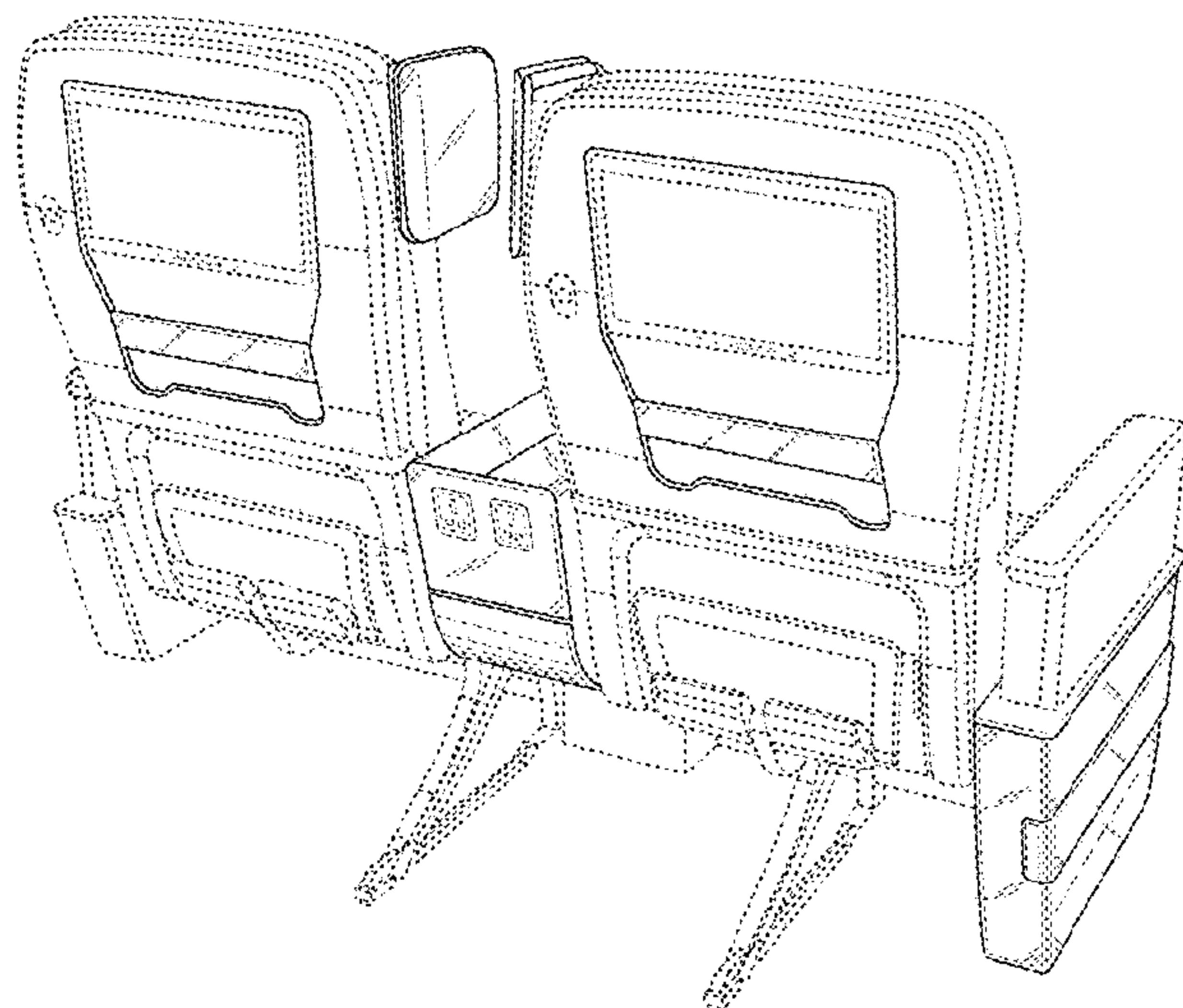
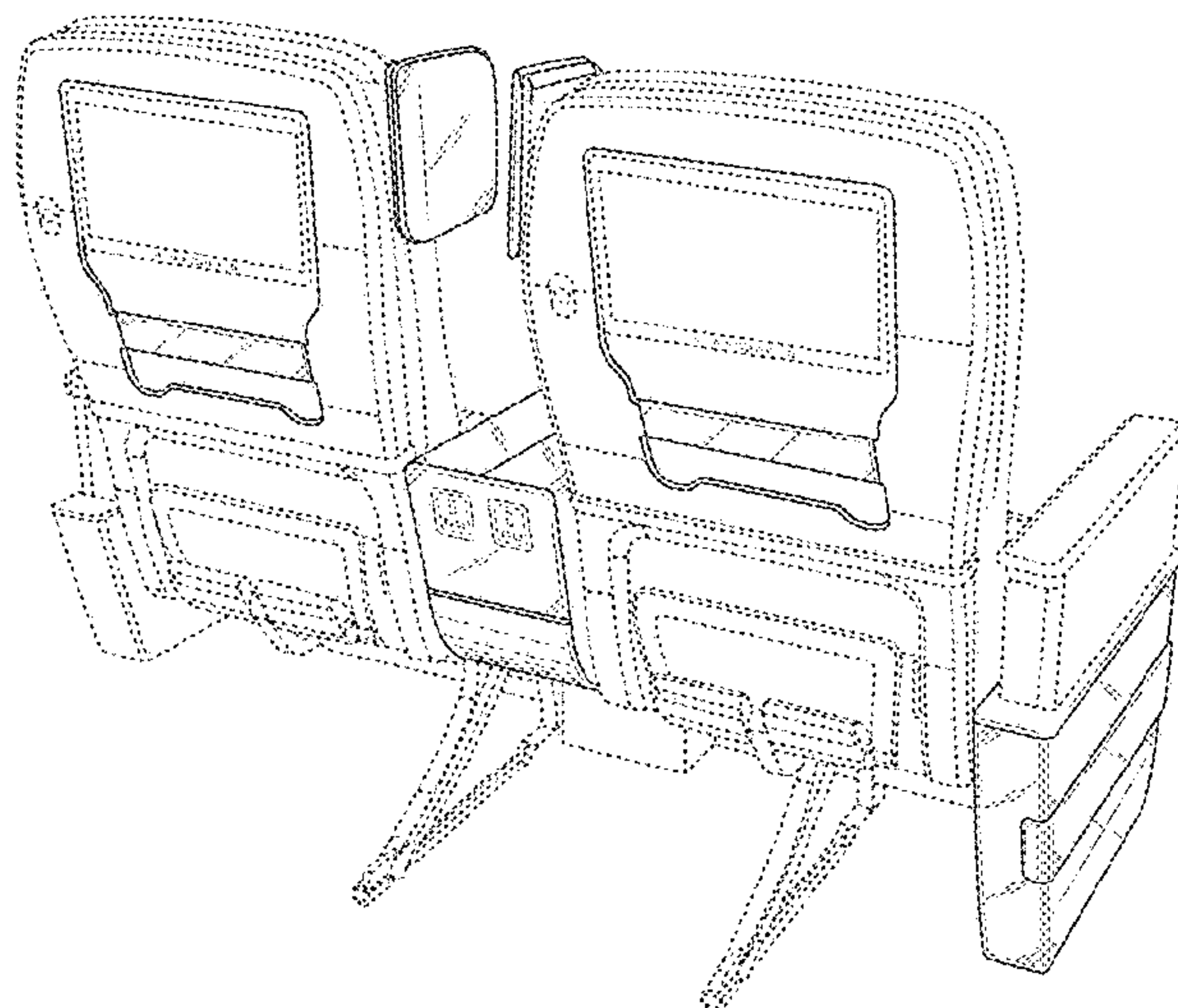
(57) **CLAIM**

The ornamental design for a passenger seating apparatus, as shown and described.

DESCRIPTION

FIG. 1 is a front perspective view of a passenger seating apparatus;
FIG. 2 is a front elevation view of the passenger seating apparatus of FIG. 1;
FIG. 3 is a top plan view of the passenger seating apparatus of FIG. 1;
FIG. 4 is a bottom plan view of the passenger seating apparatus of FIG. 1;
FIG. 5 is a right side elevation view of the passenger seating apparatus of FIG. 1,
FIG. 6 is a left side elevation view of the passenger seating apparatus of FIG. 1;
FIG. 7 is a rear elevation view of the passenger seating apparatus of FIG. 1;
FIG. 8 is a rear perspective view of the passenger seating apparatus of FIG. 1;
FIG. 9 is a rear elevation view showing a second embodiment of the passenger seating apparatus in which the other views shown in FIGS. 1 through 3 as well as FIGS. 5 and 6 would be identical; and,
FIG. 10 is a rear perspective view thereof.
Portions of FIGS. 1 through 10 are shown in broken lines illustrating portions of the article of manufacture that form no part of the claimed design.

1 Claim, 10 Drawing Sheets



(58) **Field of Classification Search**

USPC 244/118.1, 118.5, 118.6, 119, 122 AH;
 297/170, 172, 174, 232, 452.14, 452.34;
 D11/184; D21/521, 534-539, 674, 676,
 D21/687, 688, 690, 828; D23/292;
 D30/118
 CPC ... B64D 11/06; B64D 11/064; B64D 11/0602;
 B64D 11/0606; B64D 11/0643; B64D
 11/0647; B60N 2/01583; B60N 2/4221;
 B60N 2/4606; B60N 2/7011; A47C
 1/036; A47C 1/037; A47C 1/02; A47C
 1/14; A47C 1/16; A47C 1/143; A47C
 1/146; A47C 1/0342; A47C 7/26; A47C
 7/506; A47C 7/021; A47C 7/16; A47C
 7/18; A47C 7/54; A47C 7/62; A47C 7/70;
 A47C 7/744; Y10T 29/49826
 See application file for complete search history.

(56) **References Cited**

U.S. PATENT DOCUMENTS

D409,010 S * 5/1999 Papaioannou D6/356
 D443,990 S * 6/2001 Beroth B64D 11/00
 D6/356
 6,347,590 B1 * 2/2002 D'Annunzio B60N 3/002
 108/25
 D493,294 S * 7/2004 Newson D6/356
 D521,281 S * 5/2006 Luebke D6/356
 D526,144 S * 8/2006 Luebke D6/356
 D577,503 S * 9/2008 Priestman D6/356
 D590,161 S * 4/2009 Scoley D6/356
 D591,067 S * 4/2009 Suge D12/345
 D592,412 S * 5/2009 Suge D6/356
 D598,665 S * 8/2009 Cloet D6/356
 7,568,759 B2 * 8/2009 Schurg B64D 11/06
 297/184.1
 D605,419 S * 12/2009 Suge D12/345

OTHER PUBLICATIONS

D611,400 S * 3/2010 Suge D12/345
 D613,527 S * 4/2010 Suge D6/716
 D613,529 S * 4/2010 Suge D6/717
 D686,423 S * 7/2013 Salzberger D6/356
 D695,033 S * 12/2013 Salzberger D6/356
 8,596,206 B2 * 12/2013 Legeay B60N 3/002
 108/137
 D703,964 S * 5/2014 Gagnon D6/356
 D748,405 S * 2/2016 Sethapun D6/356
 D783,298 S * 4/2017 Braca D6/336
 D800,464 S * 10/2017 Larabie D6/356
 D842,218 S * 3/2019 Hontz D12/419
 D880,881 S * 4/2020 Hansson D6/356
 2004/0004382 A1 * 1/2004 Dowty B64D 11/0641
 297/354.1
 2004/0195875 A1 * 10/2004 Skelly B64D 11/0639
 297/217.3
 2014/0300147 A1 * 10/2014 Suhre B60N 2/77
 297/170
 2019/0061955 A1 * 2/2019 Wilson B60N 2/885
 2019/0308731 A1 * 10/2019 Pozzi B64D 11/0643
 2019/0359334 A1 * 11/2019 Riedel B64D 11/0015

MiQ Business Class & Premium Economy Seating, CollinsAerospace.com, [online], [site visited May 1, 2020]. <URL: <https://www.collinsaerospace.com/what-we-do/Commercial-Aviation/Cabin/Seating/Business-Class/Miq>> (Year: 2020).*

Hainan Launches Premium Economy Class, AirlineRatings.com, by Steve Creedy, Apr. 8, 2019, [online], [site visited May 1, 2020]. <URL: <https://www.airlineratings.com/news/hainan-launches-premium-economy-class/>> (Year: 2019).*

New Territory Develops New Customizable Business Class Experience for Rockwell and Aeromexico, Dexigner.com, Apr. 22, 2018 2:01 pm EDT, [online], [site visited May 1, 2020]. <URL: <https://www.dexigner.com/news/30952>> (Year: 2018).*

* cited by examiner

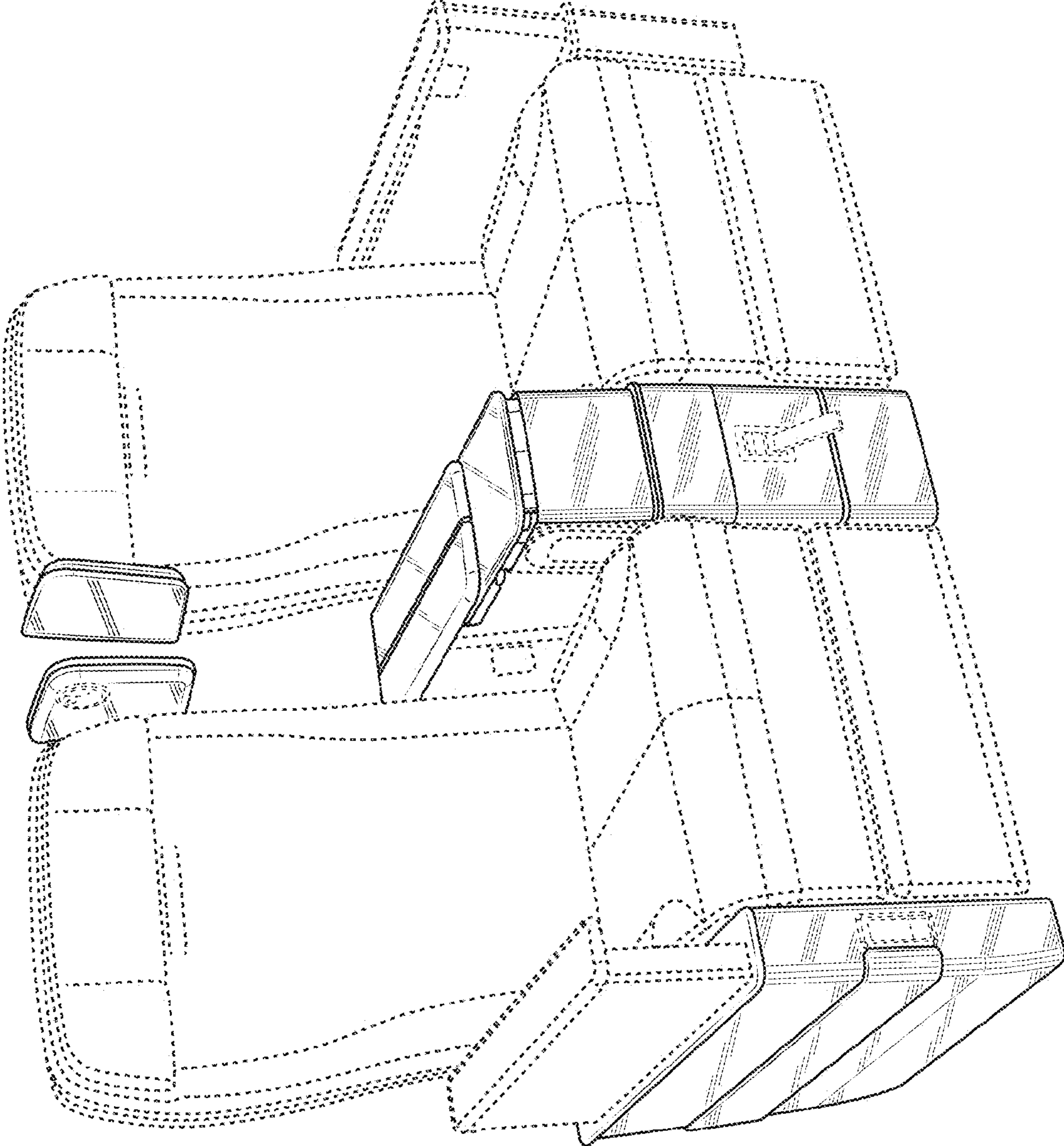


FIG.1

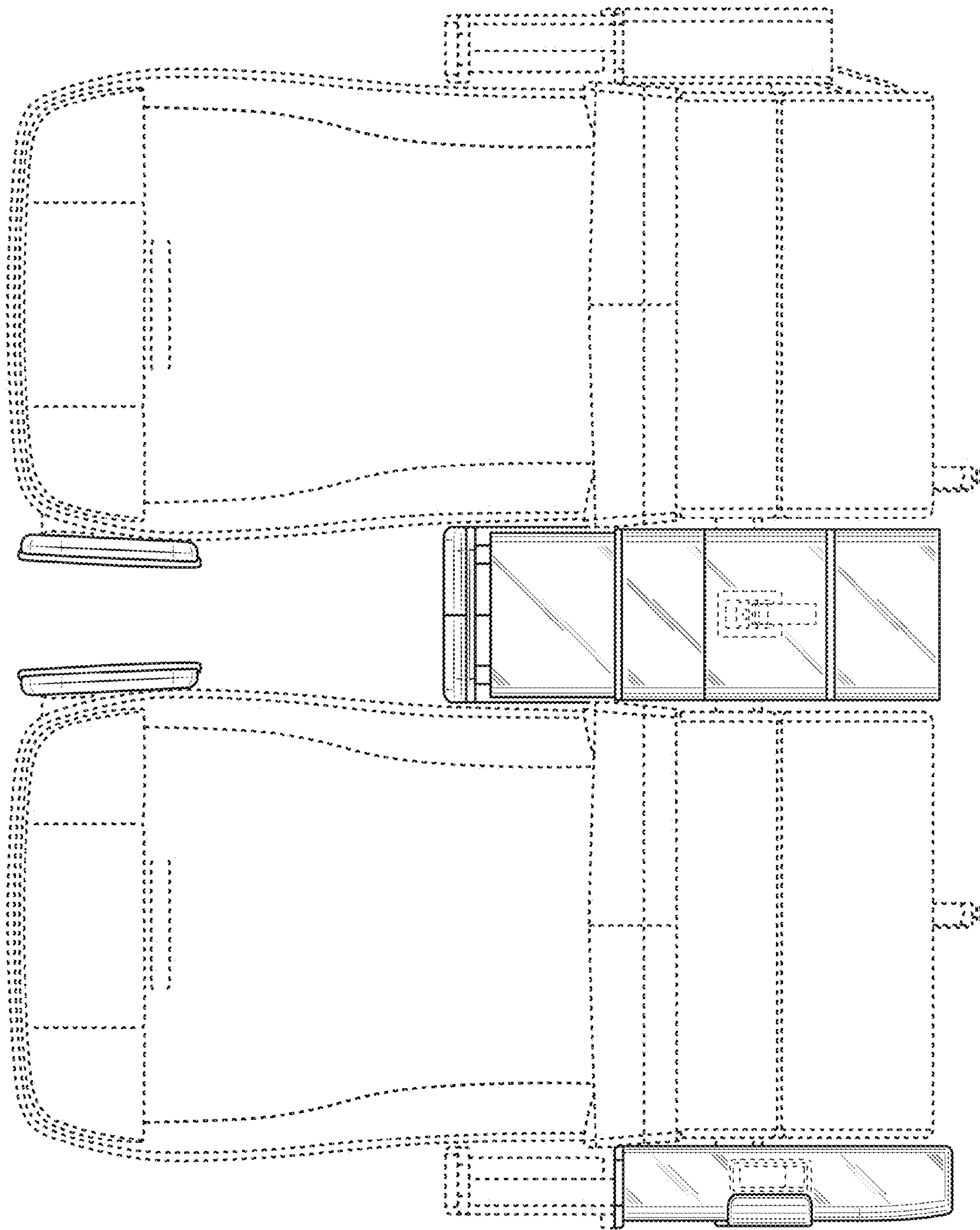


FIG. 2

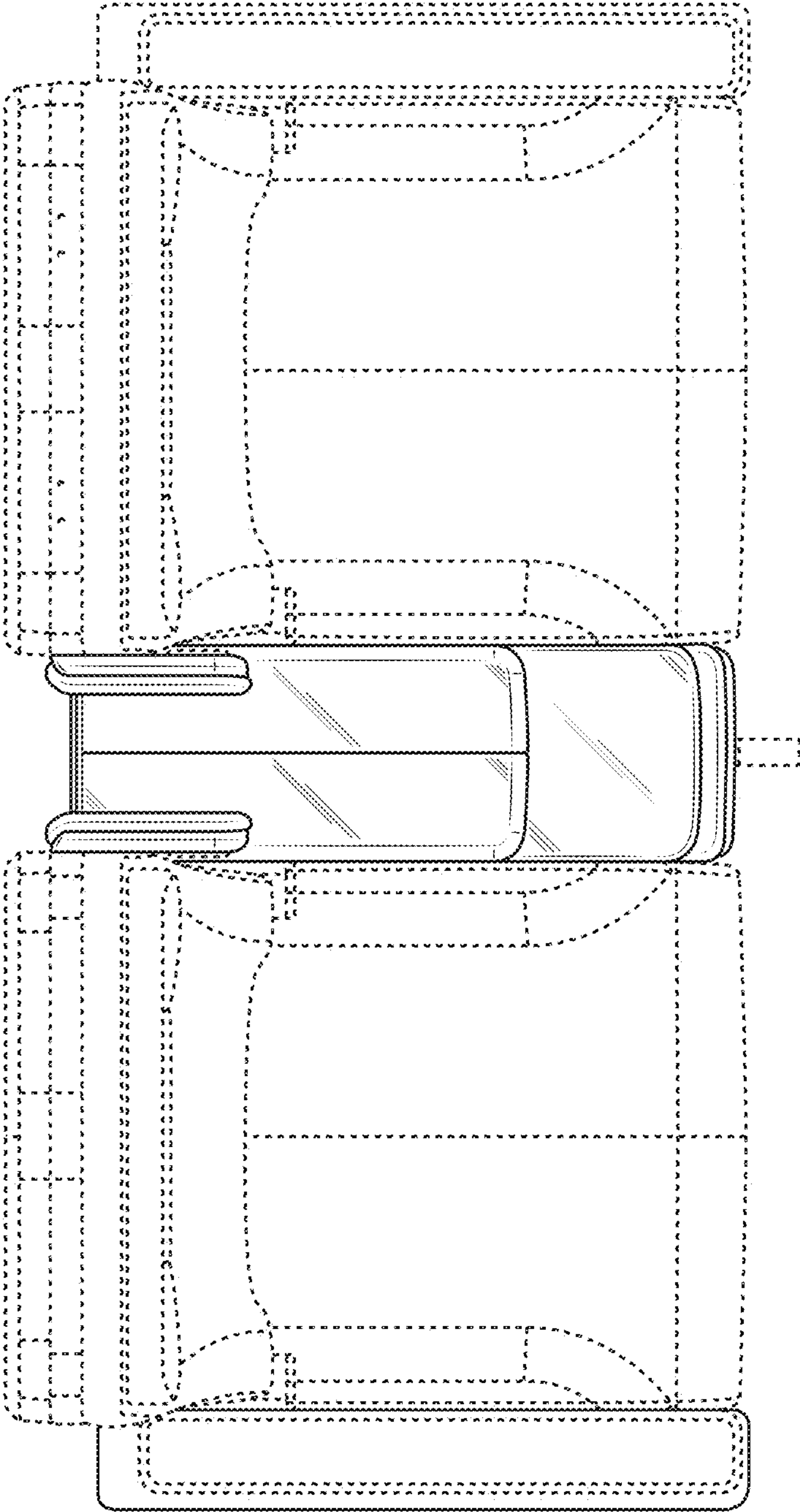


FIG. 3

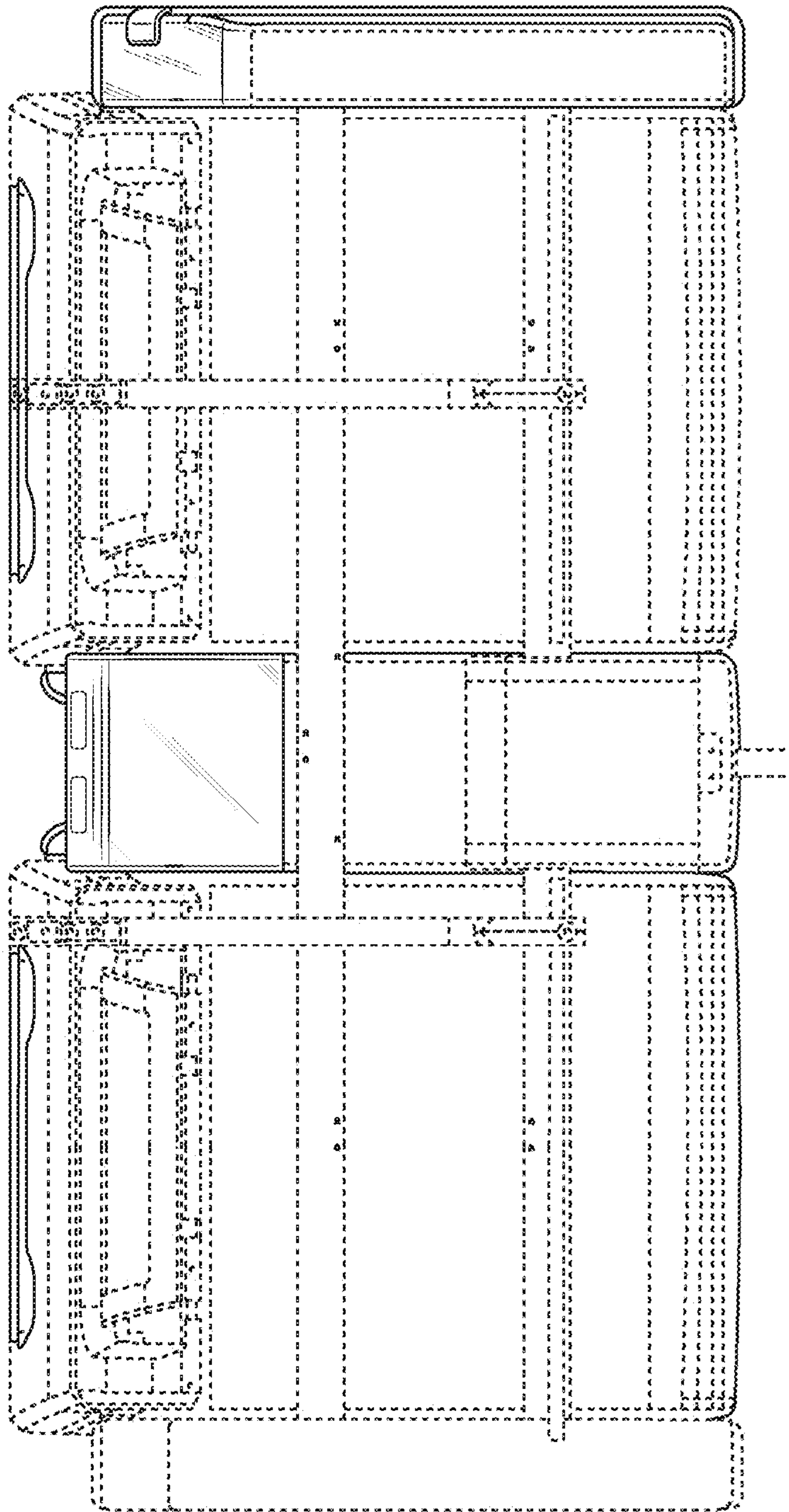


FIG.4

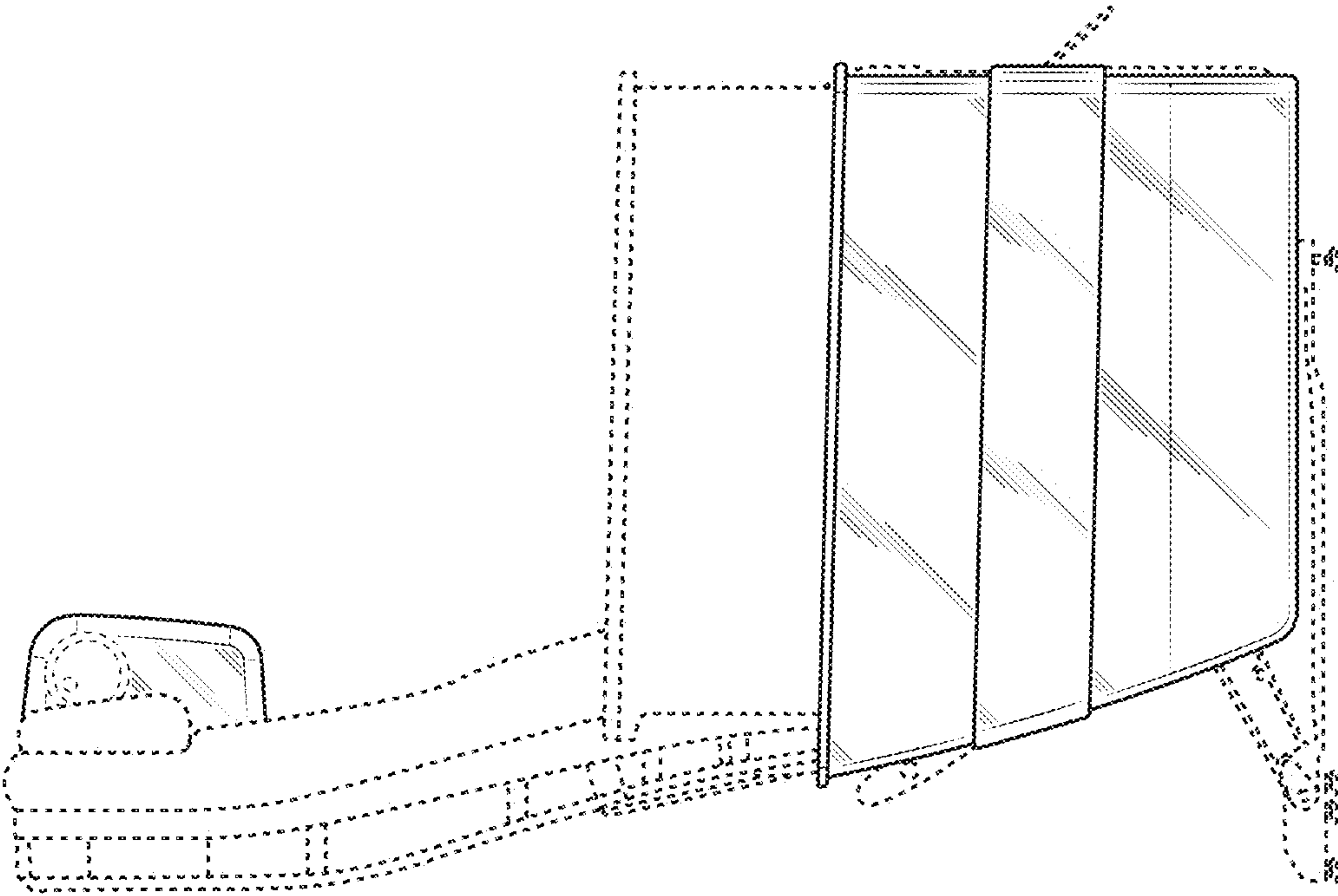


FIG. 5

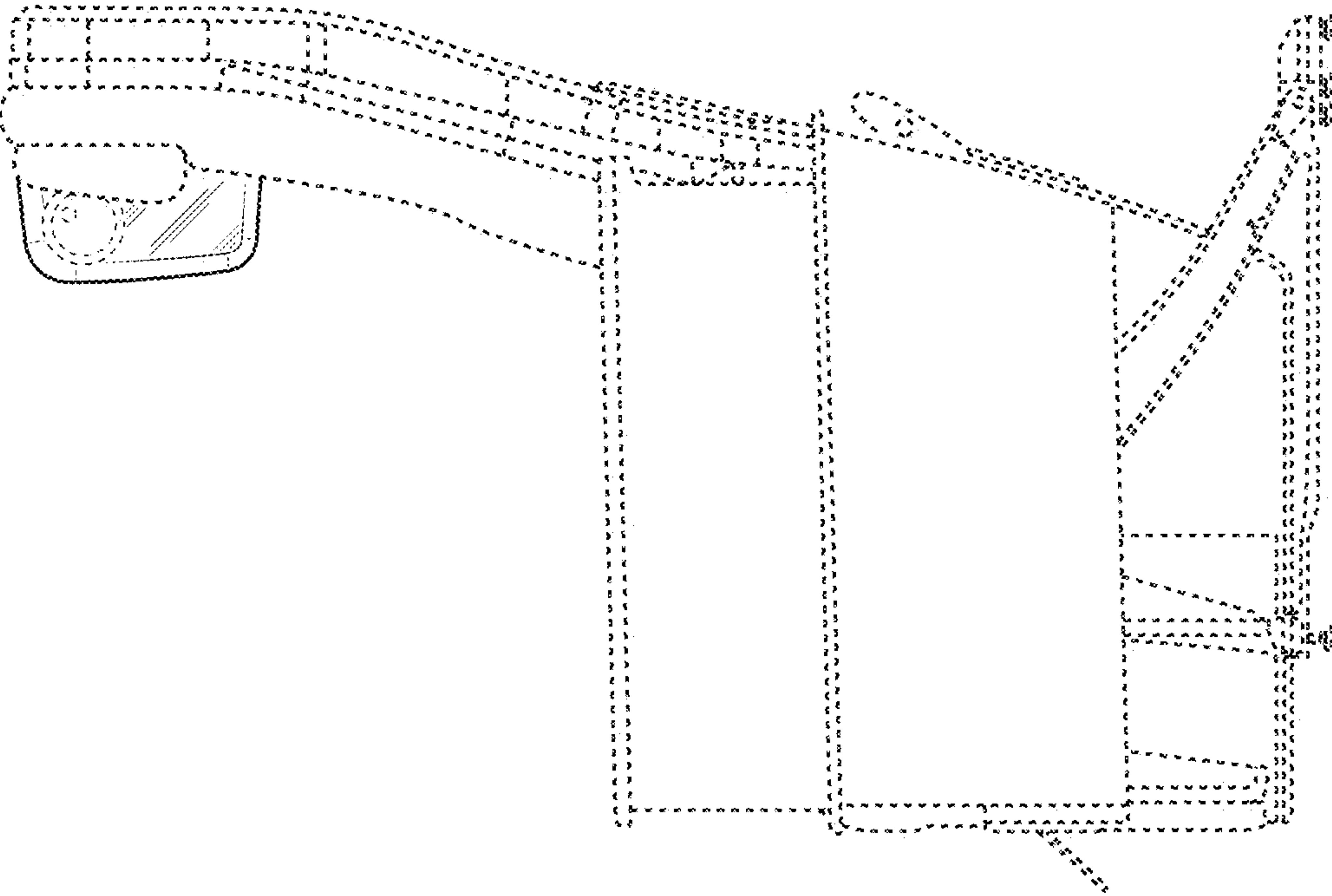


FIG. 6

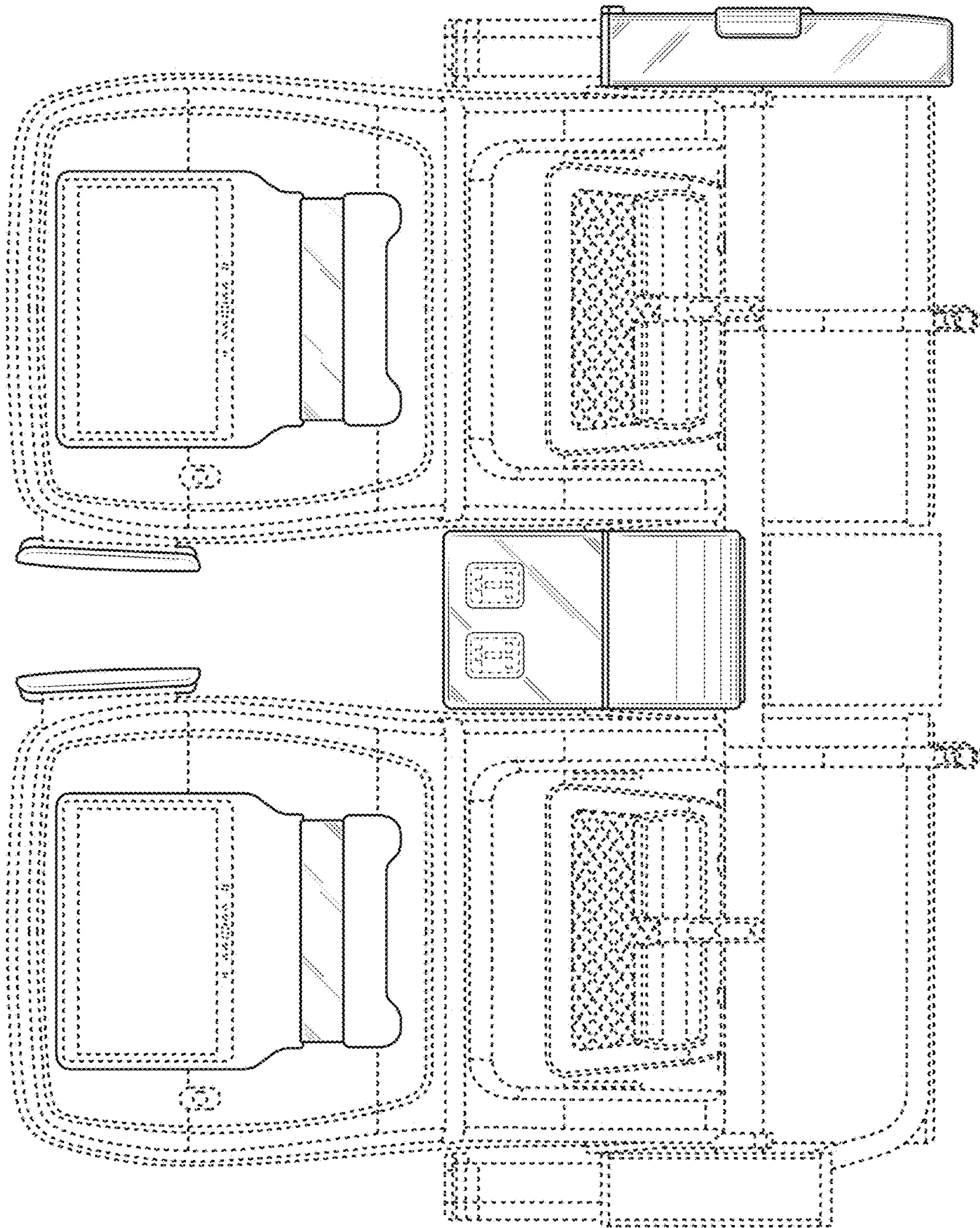


FIG. 7

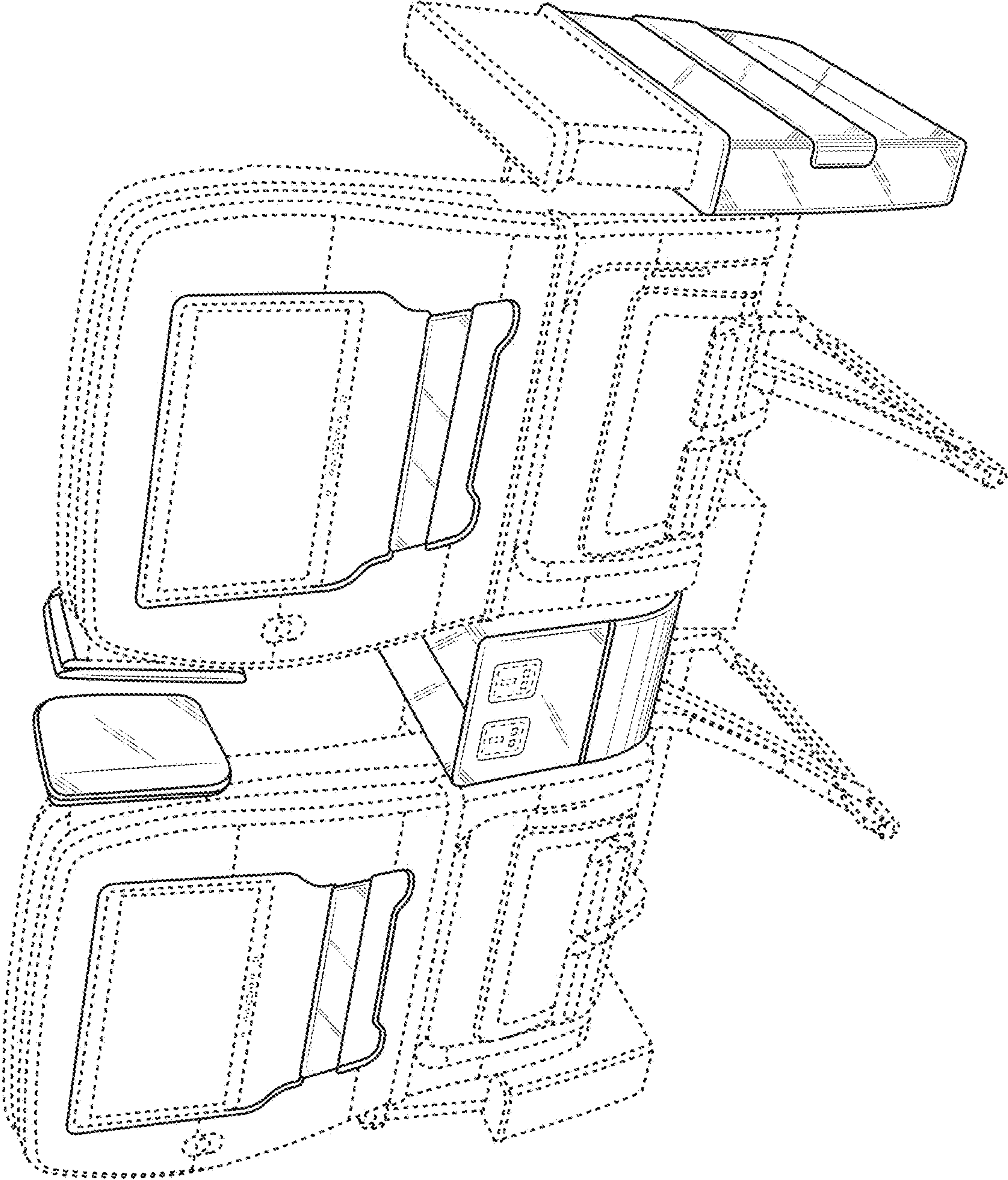


FIG. 8

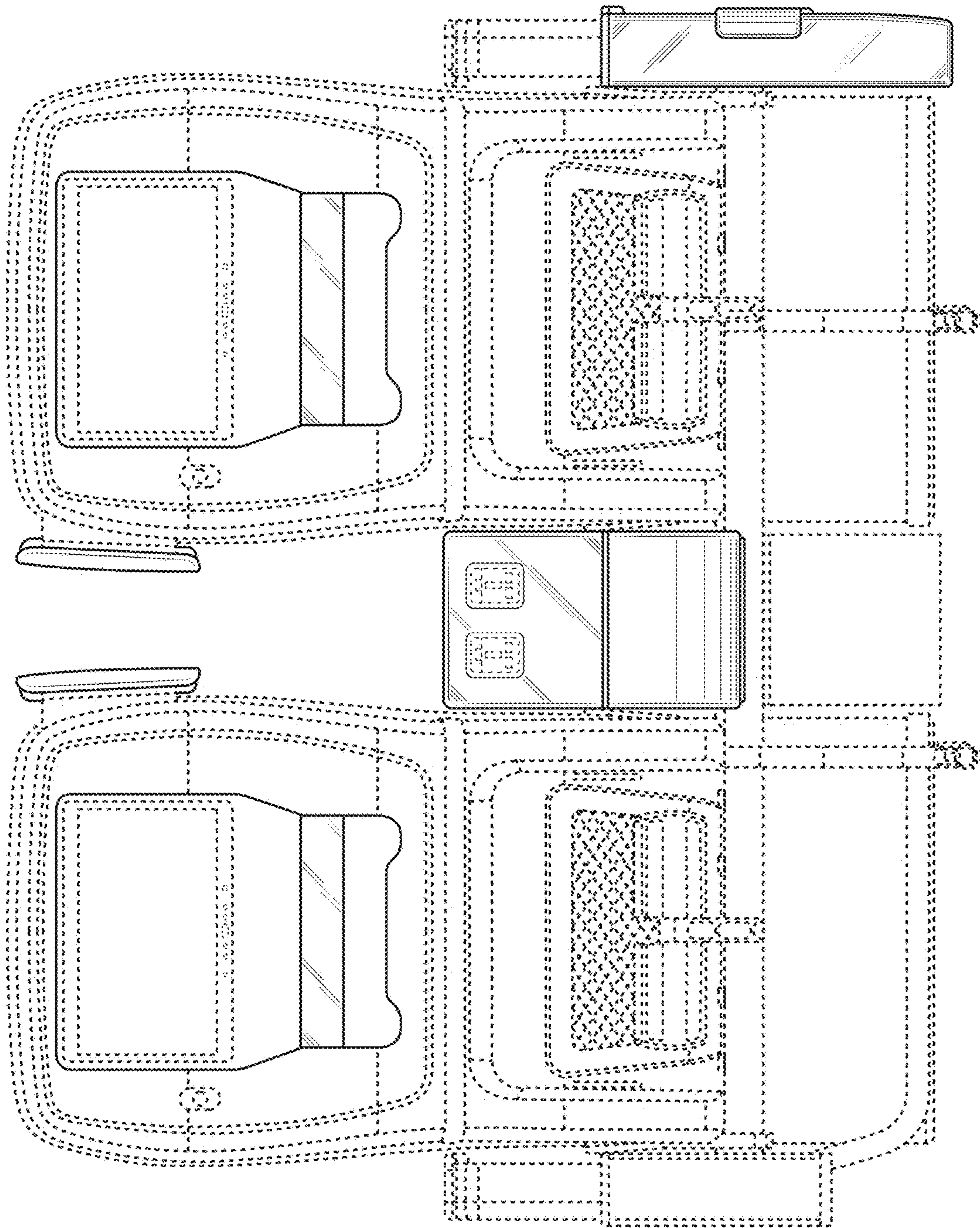


FIG. 9

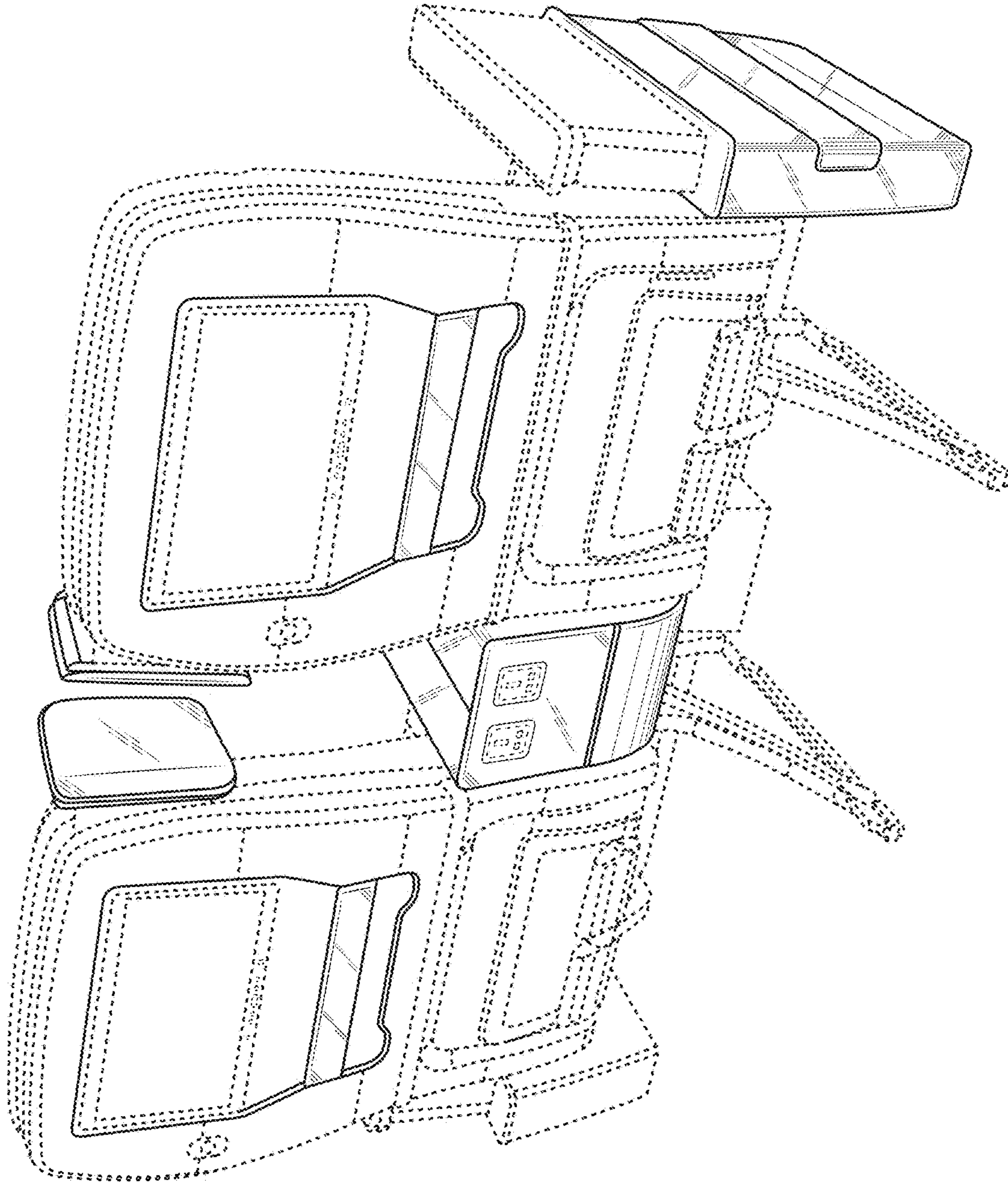


FIG.10