



US00D915997S

(12) **United States Design Patent** (10) **Patent No.:** **US D915,997 S**
Badillo (45) **Date of Patent:** **** Apr. 13, 2021**

- (54) **RACK FOR A VEHICLE**
- (71) Applicant: **INTELLIGENT DESIGNS 2000 CORP., Aurora, CO (US)**
- (72) Inventor: **Paul Badillo, Littleton, CO (US)**
- (73) Assignee: **INTELLIGENT DESIGNS 2000 CORP., Aurora, CO (US)**
- (**) Term: **15 Years**
- (21) Appl. No.: **29/681,145**
- (22) Filed: **Feb. 22, 2019**

3,215,323 A	11/1965	Bonitt
3,260,929 A	7/1966	Hedgepeth
3,330,454 A	7/1967	Bott
3,531,006 A	9/1970	Farchmin
3,765,713 A	10/1973	Suitt
3,902,642 A	9/1975	McNeece
4,336,897 A	6/1982	Luck
4,350,471 A	9/1982	Lehman
4,817,834 A	4/1989	Weiler
4,948,024 A	8/1990	Warner et al.
5,171,083 A	12/1992	Rich
5,381,939 A	1/1995	Tippets
D359,134 S	6/1995	Toews
5,560,525 A	10/1996	Grohmann et al.
D406,557 S	3/1999	Bentley
D413,562 S	9/1999	Van Dusen et al.
6,003,633 A	12/1999	Rolson
6,015,074 A	1/2000	Snavely et al.
D422,553 S	4/2000	VonDuyke
6,116,378 A	9/2000	Barrow
D434,364 S	11/2000	Bauer et al.
6,152,339 A	11/2000	Kreisler
D434,718 S	12/2000	Kreisler
D435,510 S	12/2000	Quidort
6,179,180 B1	1/2001	Walker et al.
D442,289 S	5/2001	Ziaylek et al.
6,425,508 B1	7/2002	Cole et al.
D463,358 S	9/2002	Thomas
D470,451 S	2/2003	Bushart et al.
6,561,397 B1	5/2003	Bauer et al.
6,581,813 B2	6/2003	Bove et al.
D477,562 S	7/2003	McCoy et al.
6,604,606 B1	8/2003	McDougal et al.
D479,884 S	9/2003	Berryman
D481,003 S	10/2003	Bauer et al.
D490,163 S	5/2004	Thurston
6,739,349 B2	5/2004	Kastenschmid et al.
6,755,332 B2	6/2004	Crane et al.
D508,015 S	8/2005	Badillo
D512,783 S	12/2005	Badillo
D520,938 S	5/2006	Badillo
7,055,454 B1	6/2006	Whiting et al.
D537,404 S	2/2007	Bauer et al.
7,226,266 B2	6/2007	Henderson et al.
D547,752 S	7/2007	Lee
7,249,927 B2	7/2007	Wooten et al.
D549,838 S	8/2007	Badillo
D558,123 S	12/2007	Murillo
D578,952 S	10/2008	Badillo
D603,321 S	11/2009	Kramer
D621,328 S	8/2010	Sistare et al.
D624,005 S	9/2010	Winner et al.
D638,333 S	5/2011	Freeman

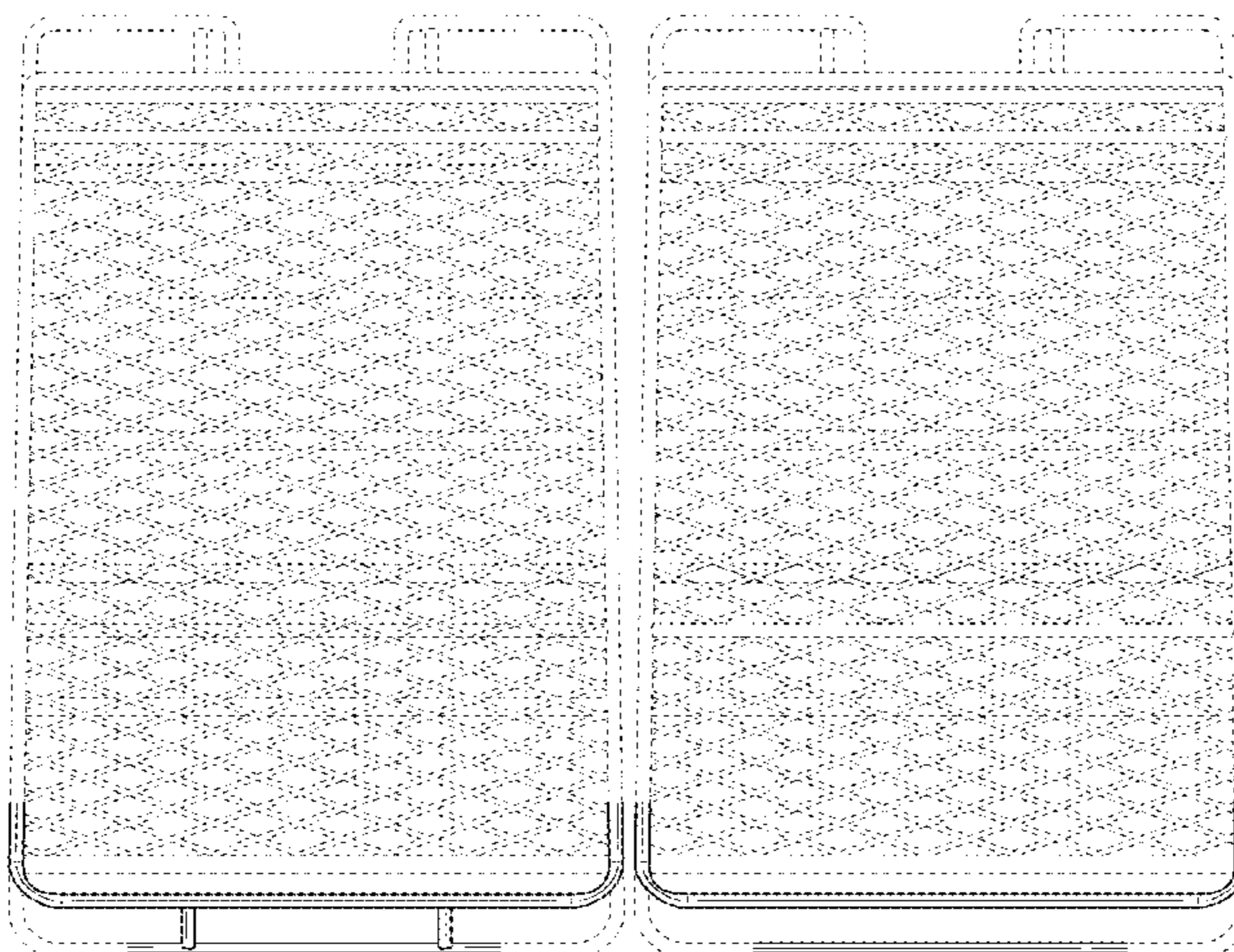
Related U.S. Application Data

- (60) Continuation of application No. 29/637,757, filed on Feb. 21, 2018, now Pat. No. Des. 841,566, which is a division of application No. 29/543,871, filed on Oct. 29, 2015, now Pat. No. Des. 815,012.
- (51) **LOC (13) Cl.** **12-16**
- (52) **U.S. Cl.**
USPC **D12/412**
- (58) **Field of Classification Search**
USPC D12/412, 406, 413, 414, 414.1; D6/552;
D3/304-306
CPC B60R 9/04; B60R 9/048; B60R 9/045
See application file for complete search history.

References Cited

U.S. PATENT DOCUMENTS

704,436 A	7/1902	Cluff
744,113 A	11/1903	Rye
1,564,776 A	12/1925	Green
1,606,954 A	11/1926	Moen et al.
2,387,779 A	10/1945	Strauss
2,492,841 A	12/1949	Burkey
2,521,815 A	9/1950	Will
2,663,472 A	12/1953	Belgau
2,784,888 A	3/1957	Lecanu-Deschamps
2,800,264 A	7/1957	McFadyen
2,967,635 A	1/1961	Barnett
3,158,301 A	11/1964	Hedgepeth



8,496,146	B2	7/2013	Badillo	
D765,577	S	9/2016	Kmita et al.	
D772,783	S	11/2016	Schleef	
9,676,343	B2	6/2017	Badillo	
D793,946	S	8/2017	Badillo	
D793,947	S	8/2017	Badillo	
D807,276	S	1/2018	Aden	
D809,997	S	2/2018	Conner	
D811,311	S	2/2018	Badillo	
D811,986	S	3/2018	Torres	
D813,785	S	3/2018	Badillo	
D815,012	S	4/2018	Badillo	
D841,565	S	2/2019	Badillo	
D841,566	S	2/2019	Badillo	
D856,262	S *	8/2019	Marankie	D12/412
D856,900	S *	8/2019	Baumann	D12/406
D866,449	S *	11/2019	Walker	D12/412
D877,041	S *	3/2020	Moctezuma	D12/412
D879,013	S *	3/2020	Connellan	D12/412
D881,110	S *	4/2020	Herndon	D12/412
10,611,311	B1	4/2020	Chervu	
D883,182	S *	5/2020	Fonnesbeck	D12/412
D886,017	S *	6/2020	Heinemann	D12/190
2005/0082326	A1	4/2005	Badillo	
2005/0092796	A1 *	5/2005	Essig	B60R 9/00 224/321
2005/0095102	A1	5/2005	Watson	
2011/0101056	A1	5/2011	Barkey	
2016/0362053	A1	12/2016	Sautter et al.	
2018/0022285	A1	1/2018	Karuppaswamy	
2018/0056884	A1	3/2018	Ziraldo	
2018/0086276	A1	3/2018	Isoda	
2018/0201200	A1	7/2018	Wang et al.	
2018/0229665	A1	8/2018	Schactman et al.	
2018/0236946	A1	8/2018	Shen	
2020/0055457	A1	2/2020	Mansour et al.	
2020/0062188	A1	2/2020	Boyle et al.	
2020/0114809	A1	4/2020	Chen et al.	
2020/0114829	A1	4/2020	Chen et al.	
2020/0130483	A1	4/2020	Vickery	
2020/0132194	A1	4/2020	Wang	

OTHER PUBLICATIONS

U.S. Appl. No. 29/705,114, filed Sep. 10, 2019, Badillo.
 U.S. Appl. No. 29/535,865, filed Aug. 11, 2015, Badillo.
 U.S. Appl. No. 29/610,895, filed Jul. 17, 2017, Badillo.
 U.S. Appl. No. 29/631,524, filed Dec. 29, 2017, Badillo.
 U.S. Appl. No. 29/681,126, filed Feb. 22, 2019, Badillo.
 U.S. Appl. No. 29/684,954, filed Mar. 25, 2019, Badillo.
 Advertisement: Yakima Spare Tire Carrier, Cargo Basket for Roof Racks, available at http://www.rackoutfitters.com/catalog/yakima_spare_tire_carrier_1836640.htm, dated Jul. 7, 2003, 1 page.
 Advertisement: Thule 840-Playpen Basket, Cargo Basket for Roof Racks, available at http://www.rackoutfitters.com/catalog/thule_840_-_playpen_basket_1885452.htm, dated Jul. 7, 2003, 1 page.
 Advertisement: Surco, Products, Inc., "Basket rack-it just flat out carries what you need to take," available at http://www.everythingsuv.com/surco_safari_roof_racks-esuv.asp, dated Jul. 7, 2003, 10 pages.
 Advertisement: KargoMaster, Kargo Master Safari Racks, available at http://www.kargomaster.com/jeep23.asp?rack=sport_jeep, Jul. 7, 2007, 1 page.
 Advertisement: KargoMaster, The Bushman Steel Rack, available at <http://www.kargomaster.com/bushman.asp?type=Jeep>, dated Jul. 7, 2003, 1 page.
 Advertisement: KargoMaster, Seregenti Telescoping Steel Rack, available at <http://www.kargomaster.com/seregenti.asp?type=Jeep>, dated Jul. 7, 2003, 1 page.
 Advertisement: Bauer Vehicle Gear Roof Racks, Roof Storage, Bike Storage & Pet Barriers from Eve, available at http://www.everythingsuv.com/bvg_products-esuv.asp, Jul. 7, 2003, 2 pages.
 Advertisement: Manik Original Off-Road Equipment, Hummer Rough Terrain Package New Product Release "Tilt-Forward 1-Piece Front Bar," 2002, 1 page.

Advertisement: Manik Original Off-Road Equipment, Hummer Rough Terrain Package New Product Release "Combination Tube Step Rocker Bar," 2002, 1 page.
 Advertisement: Congo Cage Jeep Rack, available at <http://www.kargomaster.com/item.asp?id=62>, printed Apr. 17, 2009, 13 pages.
 Product Literature entitled, "921—Dave's Rack 921-12X," Olympic 4X4, date unknown, 10 pages.
 Advertisement: 921—Daves Rack, Olympic 4X4 Products for over 60 years, available at <http://olympic4x4products.com/utility-racks/921-daves-rack>, printed Jan. 14, 2011, 3 pages.
 "Installation Guide: BR-JPTJ2D-1-0 BajaRack Jeep TJ 2 Doors," BajaRack Adventure Equipment, 4 page, first sold 2013.
 "BR-JPK-Series Installation Instructions," BajaRack Adventure Equipment, 5 pages, first sold 2013.
 "Full Length 4th Gen Rack," Whitson Metalworks, 2015, retrieved from <http://web.archive.org/web/20150704141048/http://whitsonmetalworks.com/product/full-length-4th-gen-rack/>, retrieved on Dec. 10, 2015, 5 pages.
 "ID2 Racks," Intelligent Designs 2000 Corp., www.GOBlracks.com; it is believed that all have been sold for over one year, 27 pages.
 "Installation Guide: BR-JP-JK4D-1-0 BajaRack Jeep JK 4 Doors," BajaRack Adventure Equipment, 6 pages, first sold 2013.
 Official Action for U.S. Appl. No. 29/534,977, dated Apr. 11, 2017 6 pages Restriction Requirement.
 Notice of Allowance for U.S. Appl. No. 29/534,977, dated Oct. 17, 2017 7 pages.
 Notice of Allowance for U.S. Appl. No. 29/547,752, dated Mar. 27, 2017 7 pages.
 Official Action for U.S. Appl. No. 29/542,039, dated Sep. 14, 2017 5 pages Restriction Requirement.
 Notice of Allowance for U.S. Appl. No. 29/542,039, dated Nov. 21, 2017 7 pages.
 Notice of Allowance for U.S. Appl. No. 29/637,756, dated Oct. 4, 2018 7 pages.
 Official Action for U.S. Appl. No. 29/543,871, dated Sep. 13, 2017 5 pages Restriction Requirement.
 Notice of Allowance for U.S. Appl. No. 29/543,871, dated Nov. 21, 2017 7 pages.
 Notice of Allowance for U.S. Appl. No. 29/637,757, dated Oct. 2, 2018 7 pages.
 Notice of Allowance for U.S. Appl. No. 29/610,895, dated Apr. 4, 2019, 6 pages.
 Official Action for U.S. Appl. No. 29/631,524, dated Jun. 4, 2020 6 pages Restriction Requirement.
 Notice of Allowance for U.S. Appl. No. 29/681,126, dated Jul. 15, 2020, 8 pages.
 Notice of Allowance for U.S. Appl. No. 29/705,114, dated Jul. 14, 2020, 8 pages.
 Official Action for U.S. Appl. No. 29/684,954, dated Jul. 16, 2020, 6 pages. Restriction Requirement.
 Official Action for U.S. Appl. No. 29/717,202, dated Jul. 16, 2020, 6 pages. Restriction Requirement.

* cited by examiner

Primary Examiner — Katrina A Betton
 (74) Attorney, Agent, or Firm — Sheridan Ross P.C.

(57) CLAIM

The ornamental design for a rack for a vehicle, as shown and described.

DESCRIPTION

FIG. 1 is a perspective view of a rack for a vehicle;
 FIG. 2 is a front elevation view thereof;
 FIG. 3 is a rear elevation view thereof;
 FIG. 4 is a right elevation view thereof;
 FIG. 5 is a left elevation view thereof;
 FIG. 6 is a top plan view thereof;

FIG. 7 is a bottom plan view thereof;
FIG. 8 is a perspective view thereof interconnected to a vehicle;
FIG. 9 is a perspective view of another embodiment of a rack for a vehicle;
FIG. 10 is a front elevation view of the embodiment of FIG. 9;
FIG. 11 is a rear elevation view of the embodiment of FIG. 9;
FIG. 12 is a right elevation view of the embodiment of FIG. 9;
FIG. 13 is a left elevation view of the embodiment of FIG. 9;
FIG. 14 is a top plan view of the embodiment of FIG. 9;
FIG. 15 is a bottom plan view of the embodiment of FIG. 9;
FIG. 16 is a perspective view of the embodiment of FIG. 9 interconnected to a vehicle;
FIG. 17 is a perspective view of another embodiment of a rack for a vehicle;
FIG. 18 is a front elevation view of the embodiment of FIG. 17;
FIG. 19 is a rear elevation view of the embodiment of FIG. 17;
FIG. 20 is a right elevation view of the embodiment of FIG. 17;

FIG. 21 is a left elevation view of the embodiment of FIG. 17;
FIG. 22 is a top plan view of the embodiment of FIG. 17;
FIG. 23 is a bottom plan view of the embodiment of FIG. 17;
FIG. 24 is a perspective view of the embodiment of FIG. 17 interconnected to a vehicle;
FIG. 25 is a perspective view of another embodiment of a rack for a vehicle;
FIG. 26 is a front elevation view of the embodiment of FIG. 25;
FIG. 27 is a rear elevation view of the embodiment of FIG. 25;
FIG. 28 is a right elevation view of the embodiment of FIG. 25;
FIG. 29 is a left elevation view of the embodiment of FIG. 25;
FIG. 30 is a top plan view of the embodiment of FIG. 25;
FIG. 31 is a bottom plan view of the embodiment of FIG. 25;
and,
FIG. 32 is a perspective view of the embodiment of FIG. 25 interconnected to a vehicle.
The broken lines depict unclaimed environmental subject matter and do not form any part of the claimed design.

1 Claim, 24 Drawing Sheets

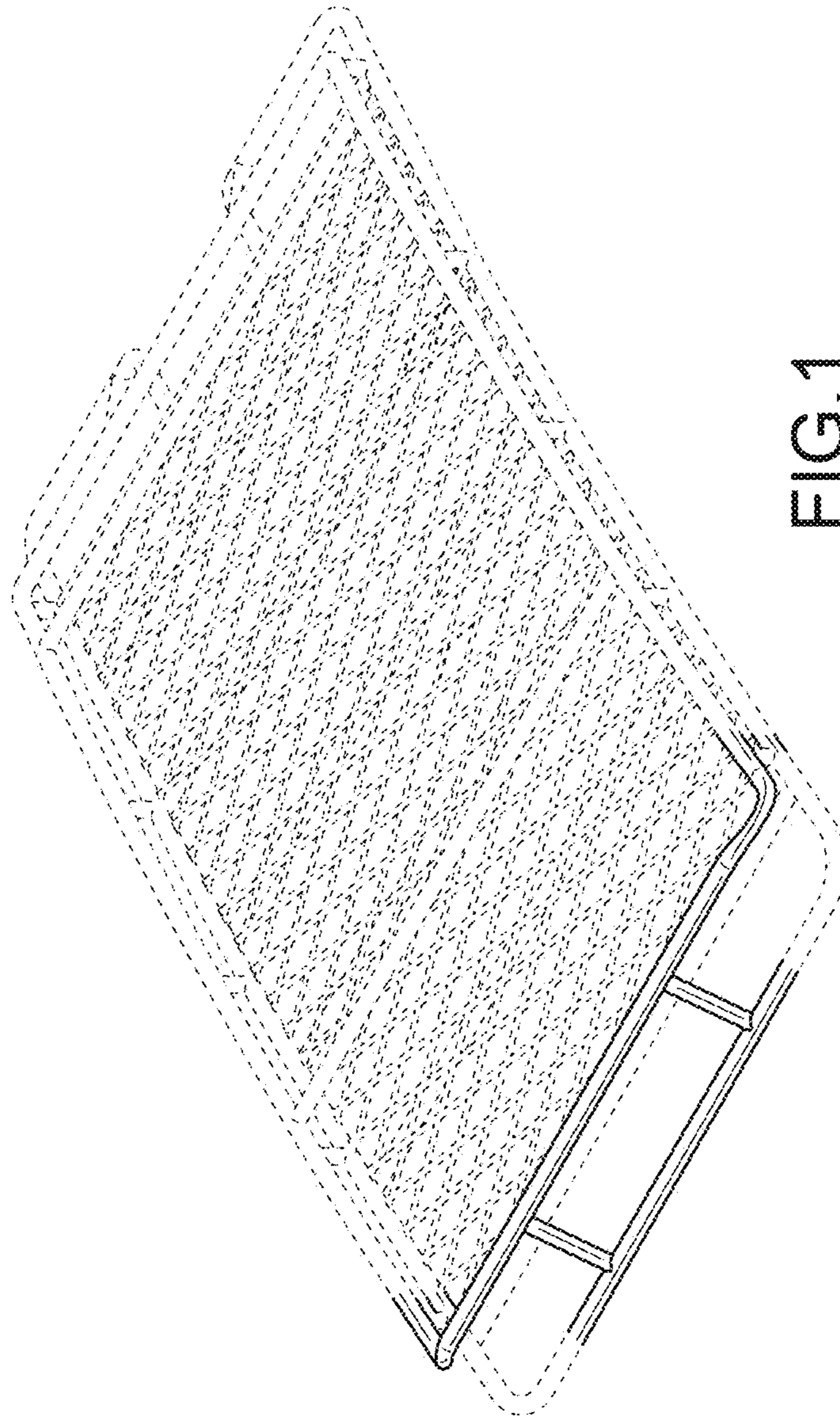


FIG.1

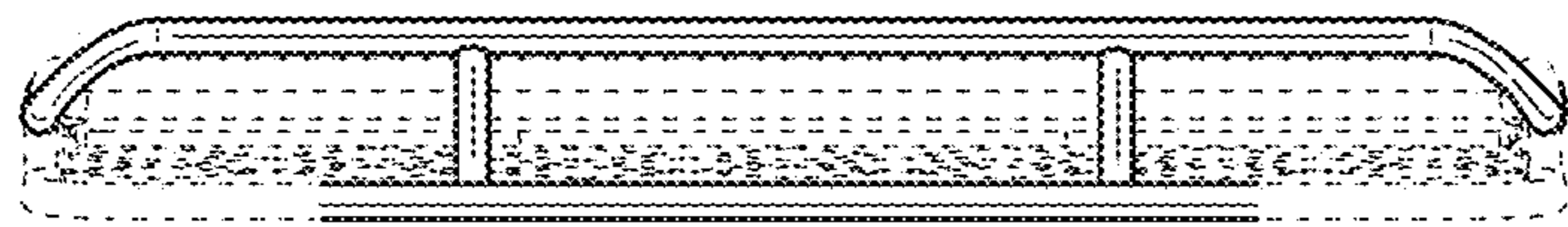


FIG. 2

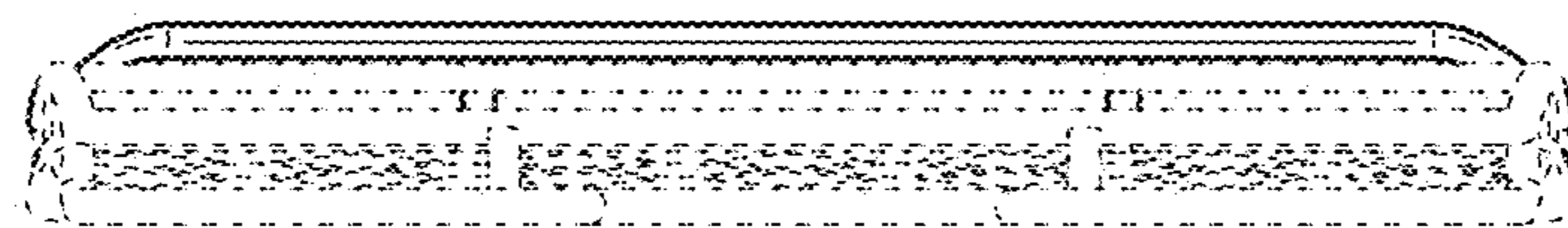


FIG. 3

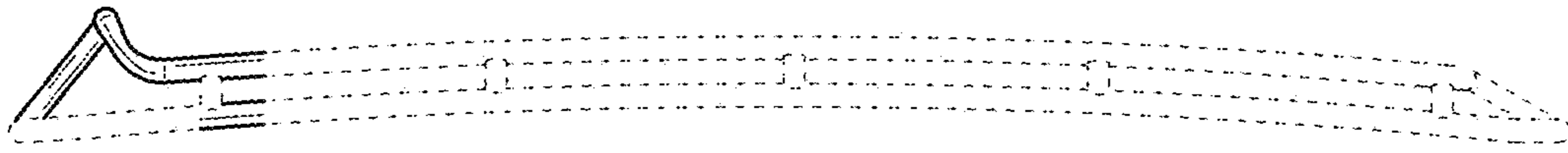


FIG.4

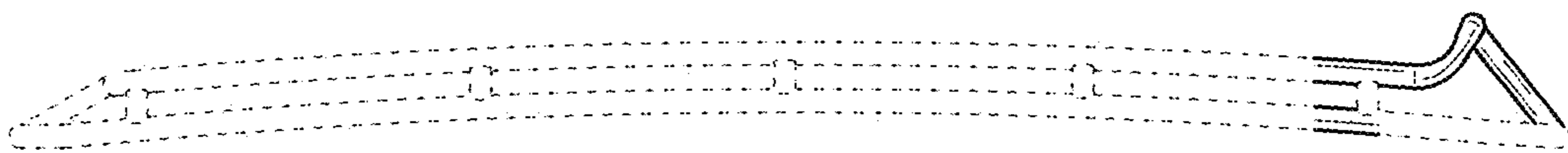


FIG.5

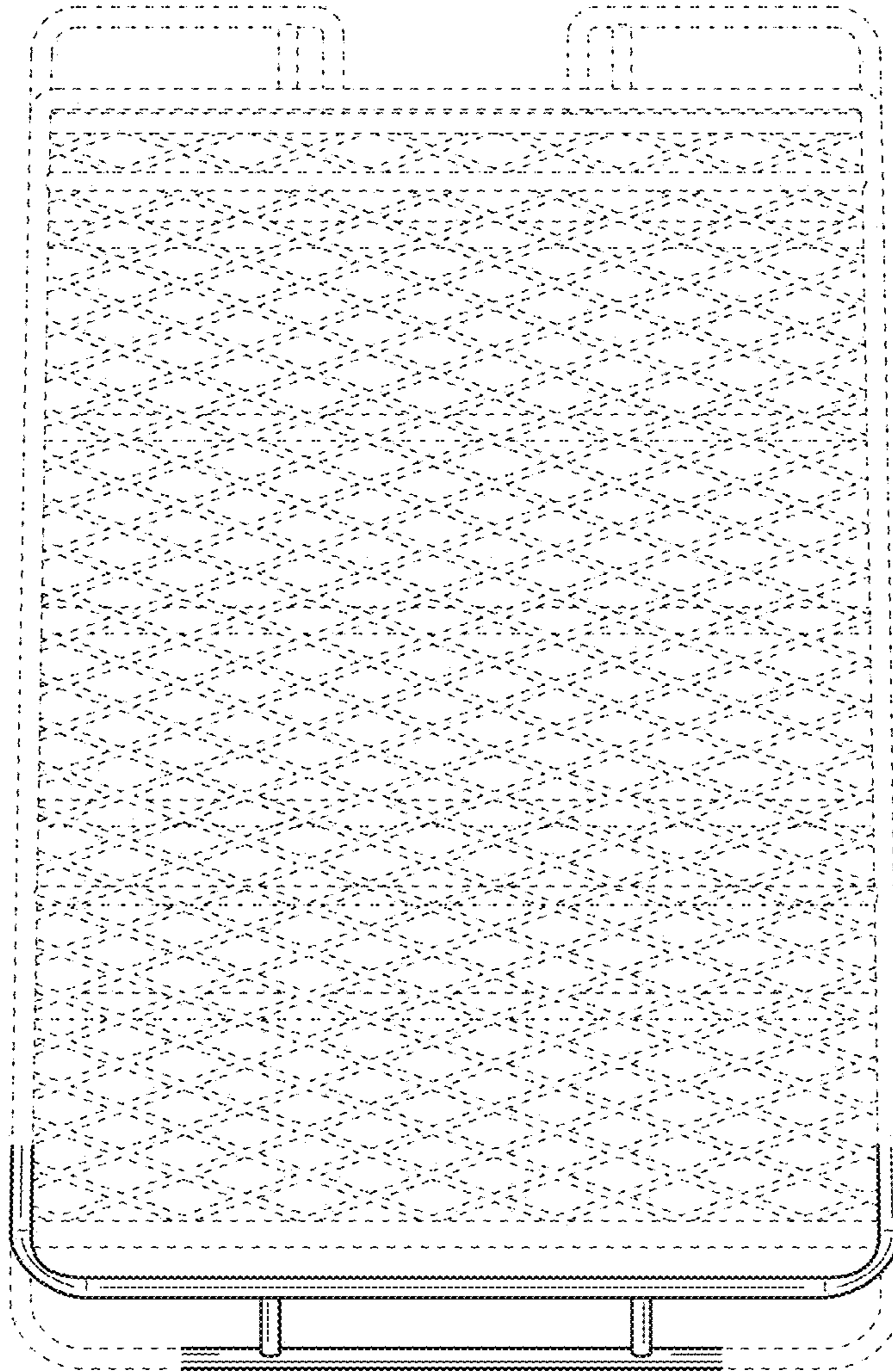


FIG. 6

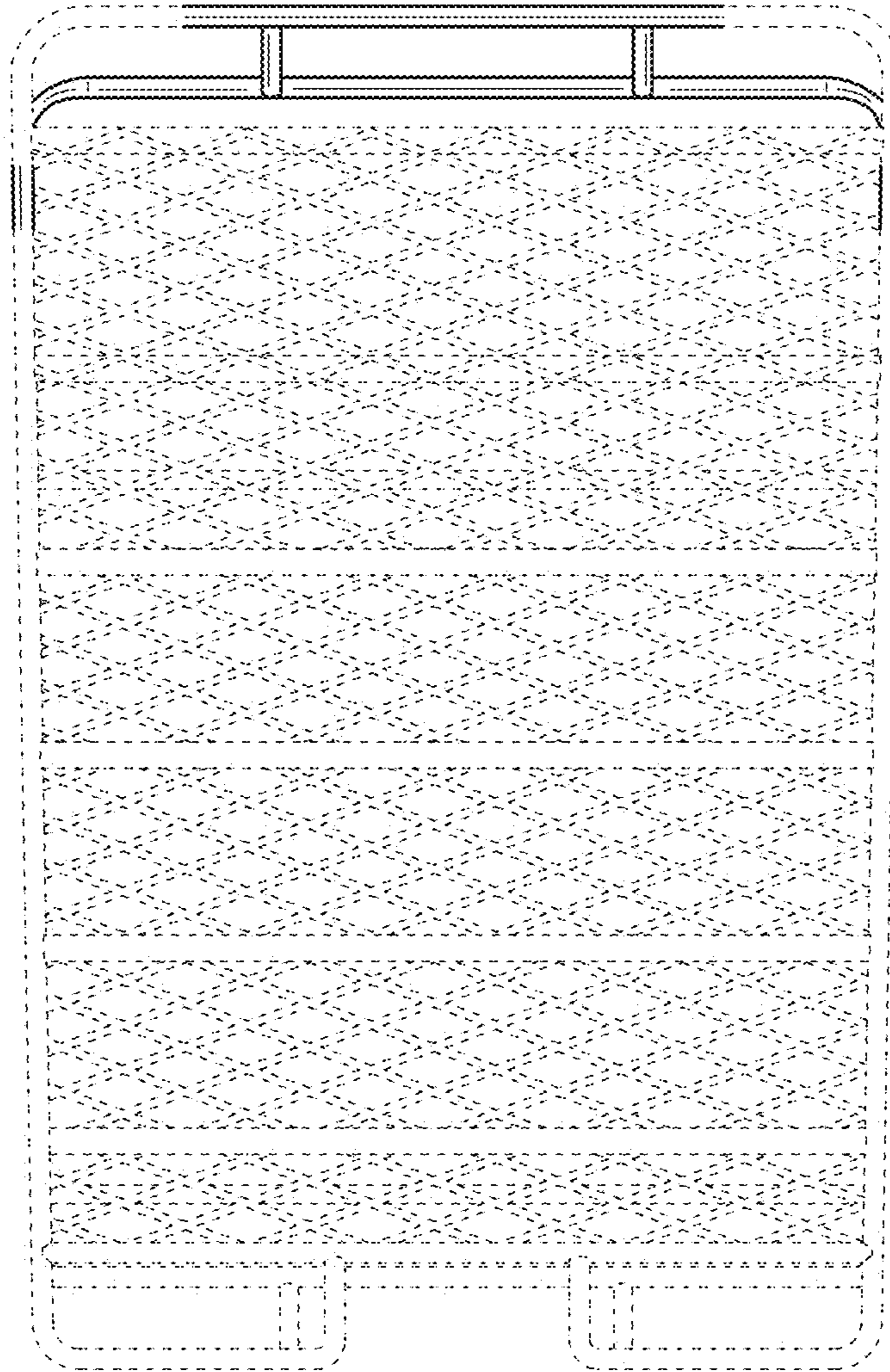


FIG. 7

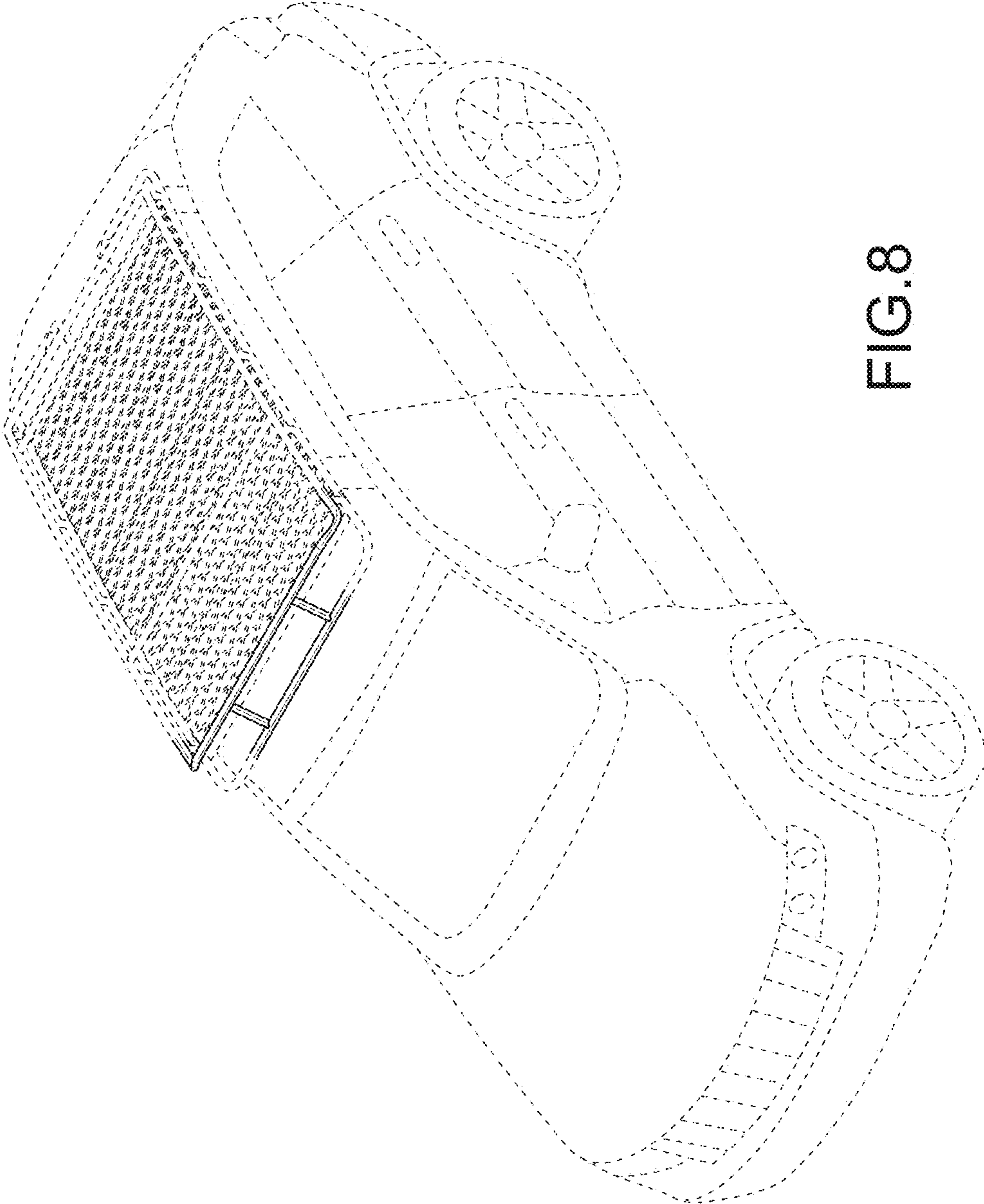


FIG. 8

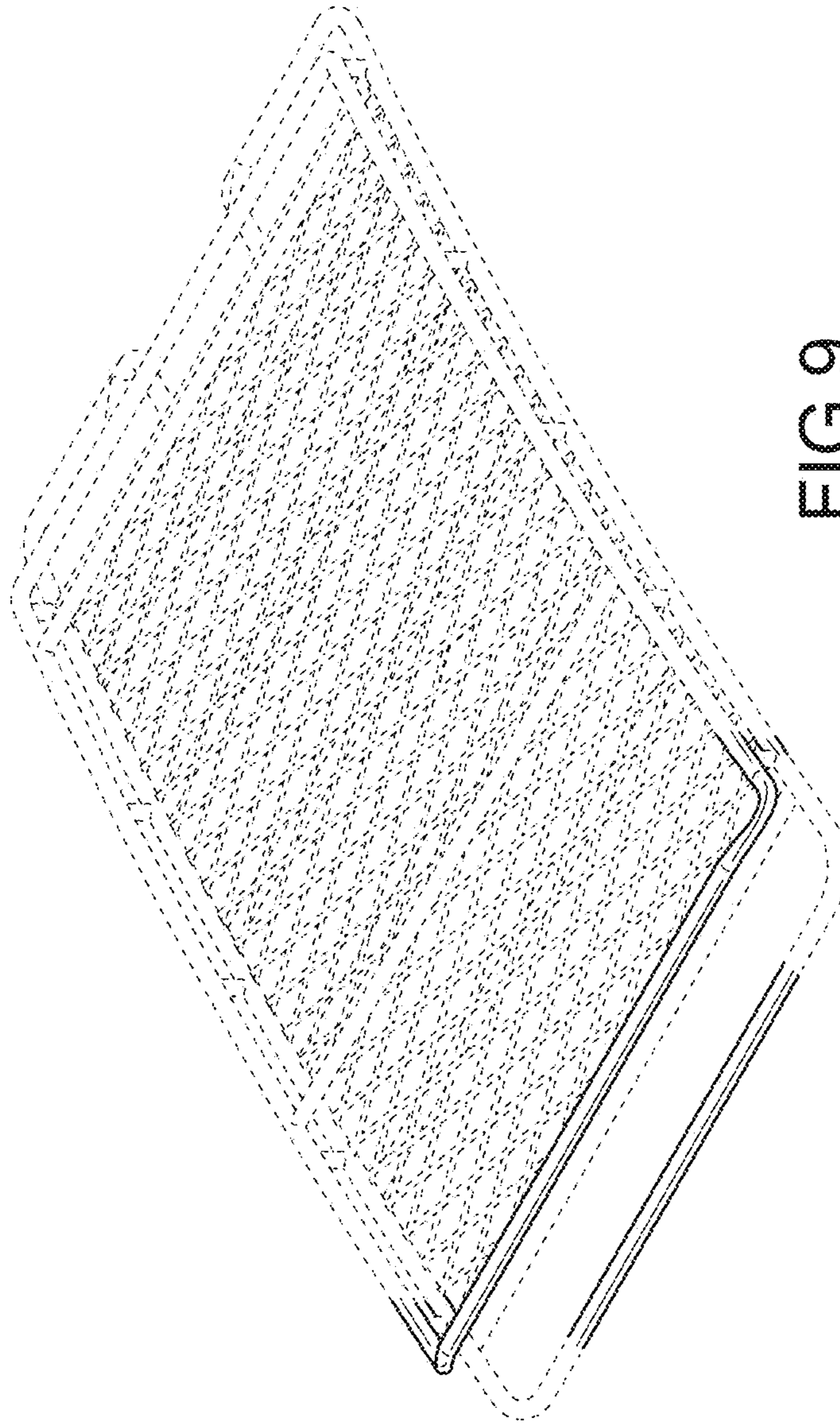


FIG. 9

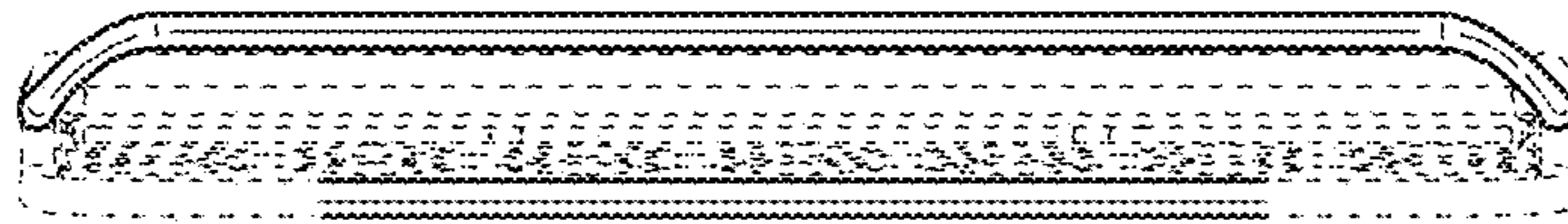


FIG. 10

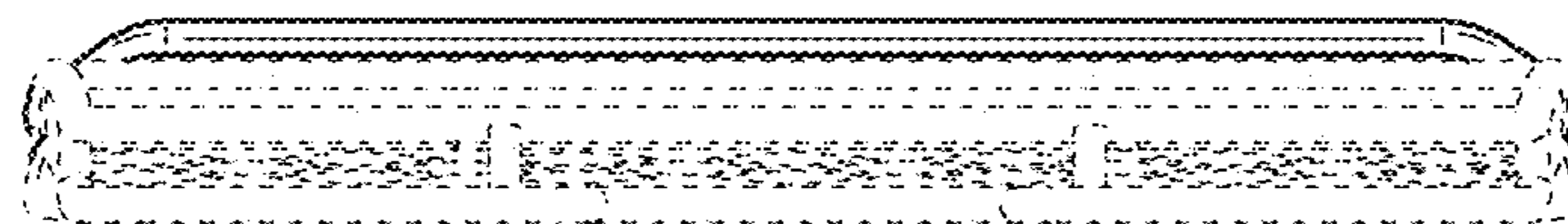


FIG. 11

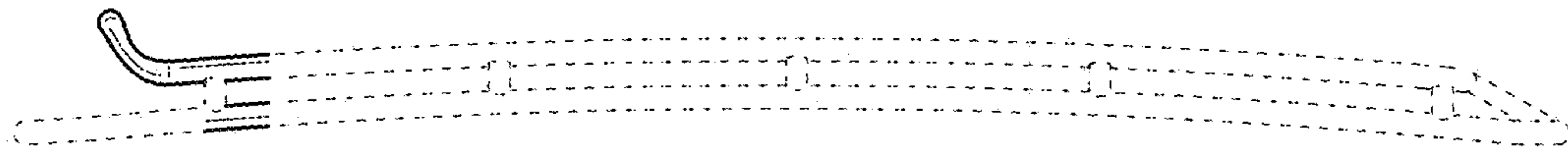


FIG. 12

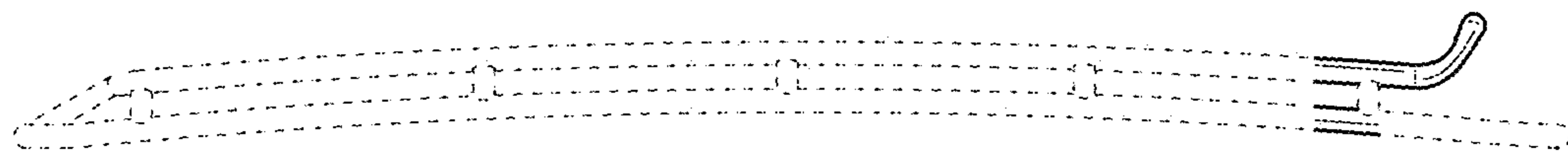


FIG. 13

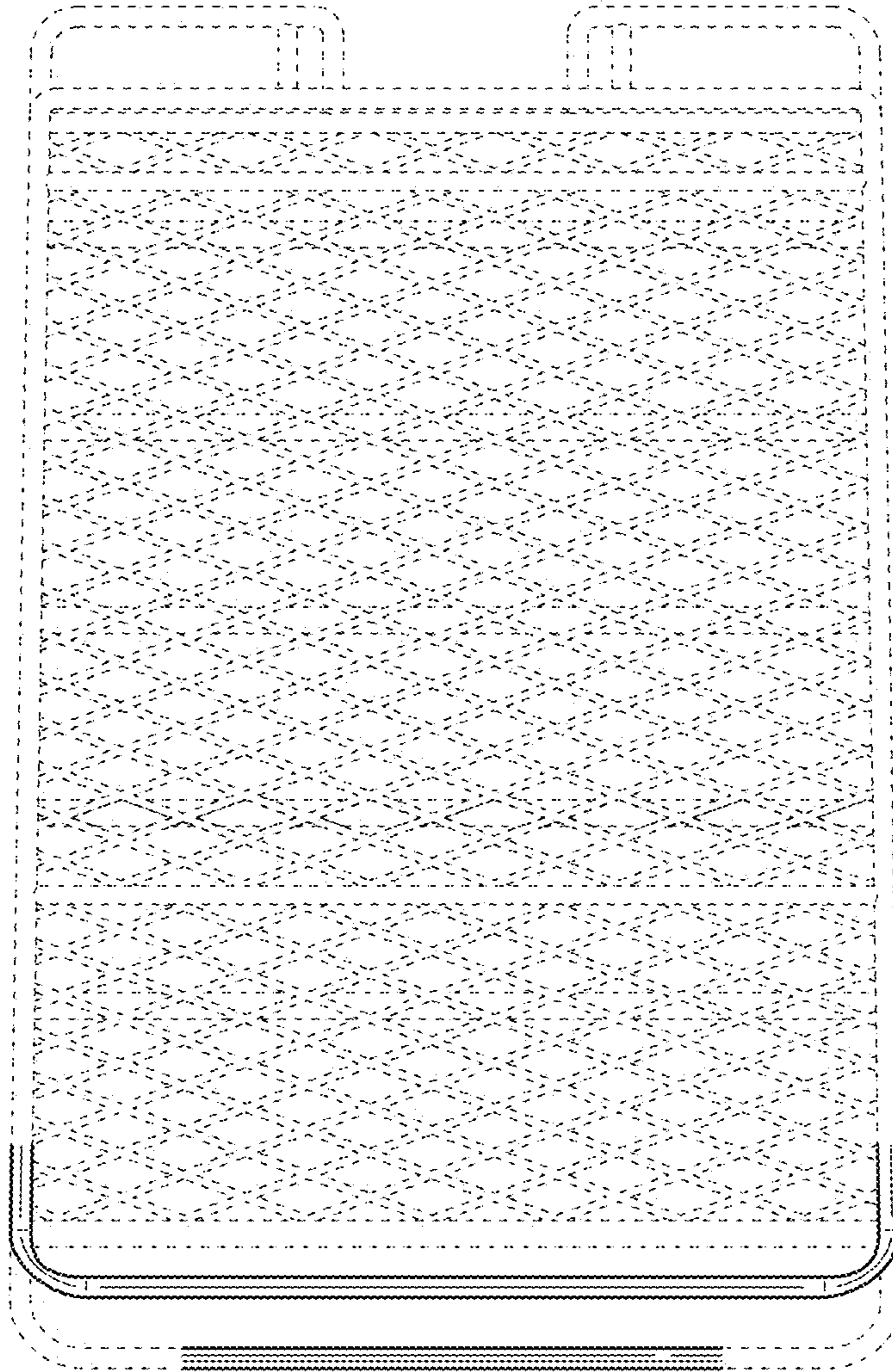


FIG.14

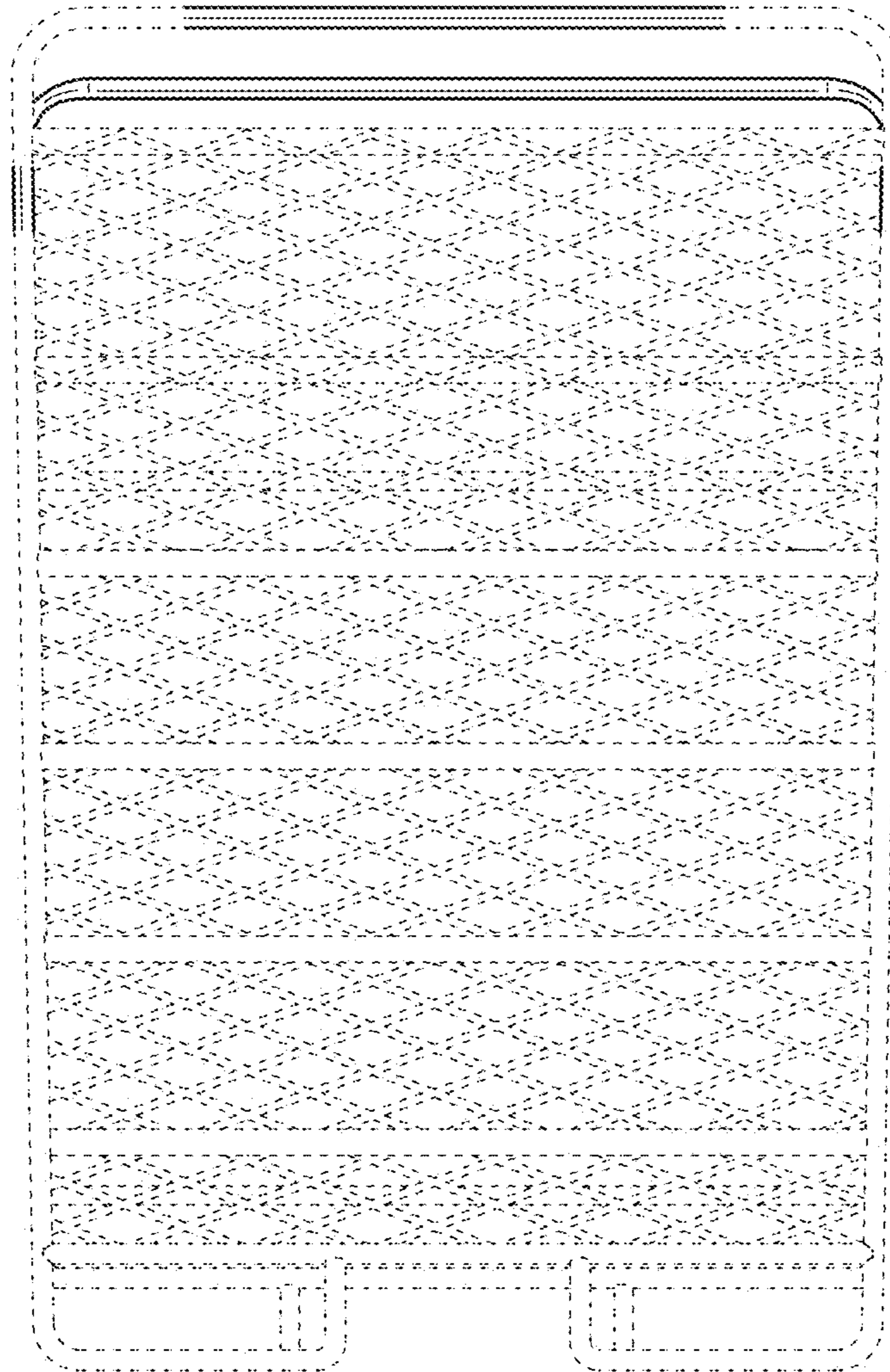


FIG.15

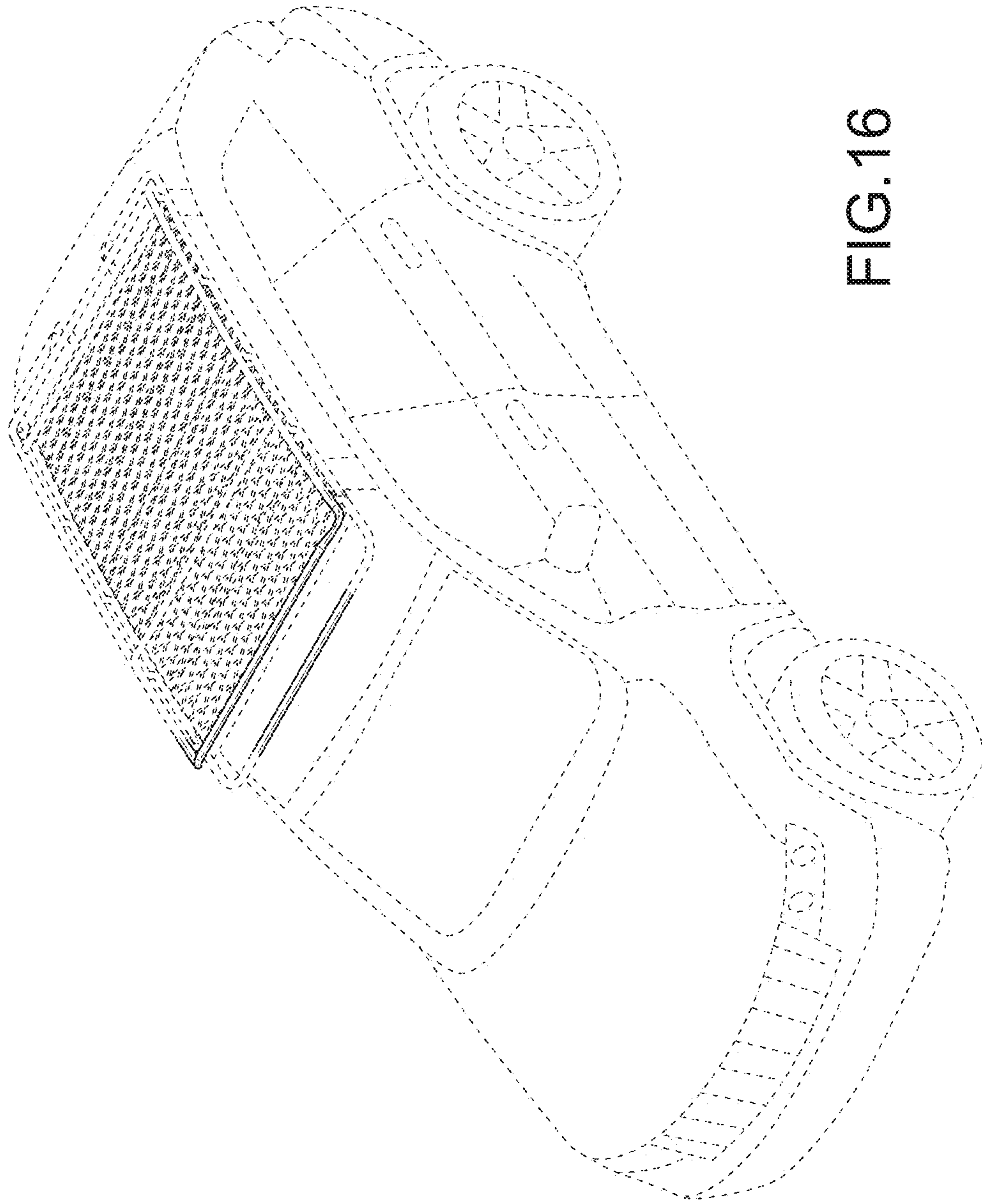


FIG.16

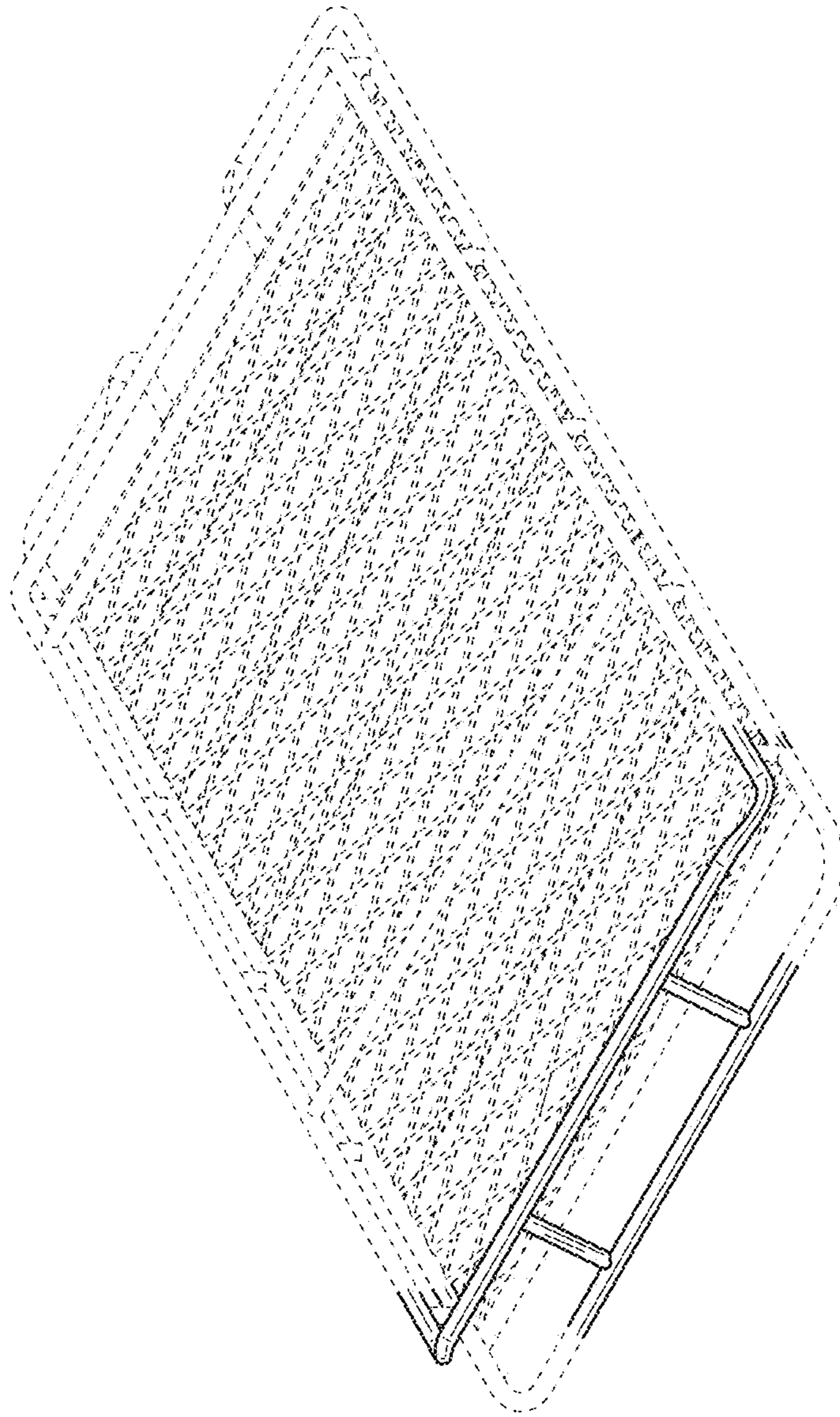


FIG.17

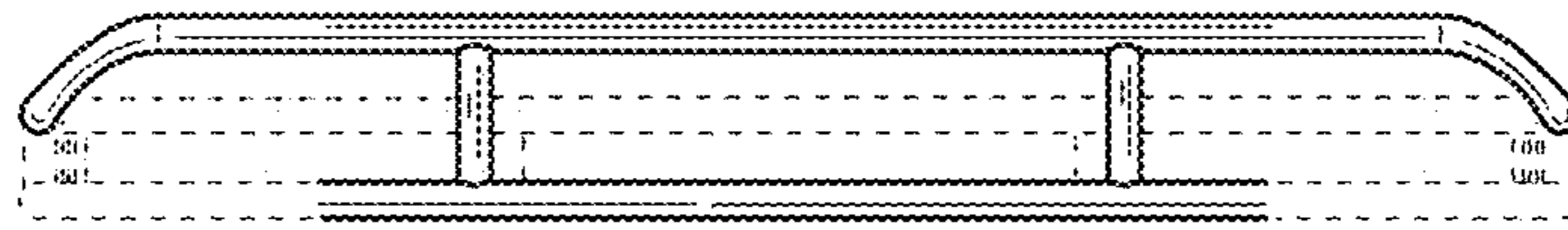


FIG. 18

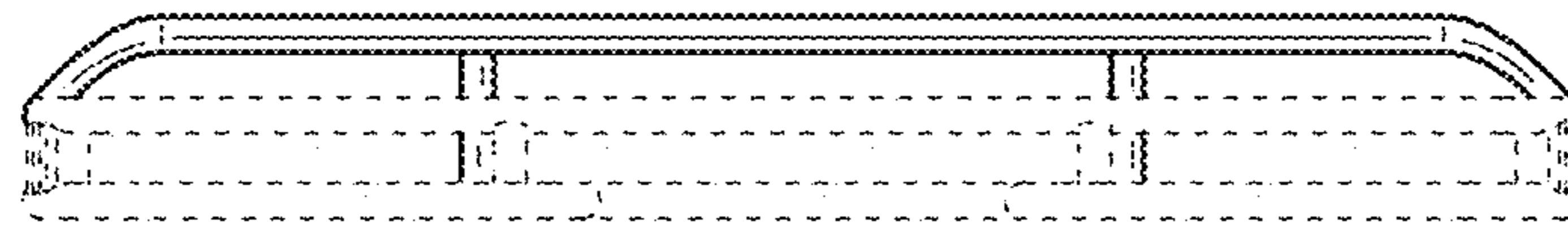


FIG. 19

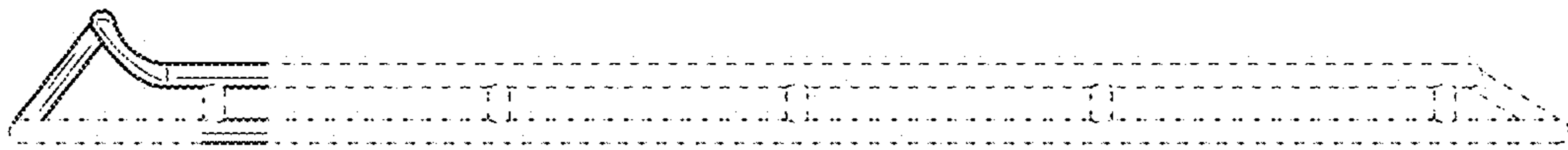


FIG.20

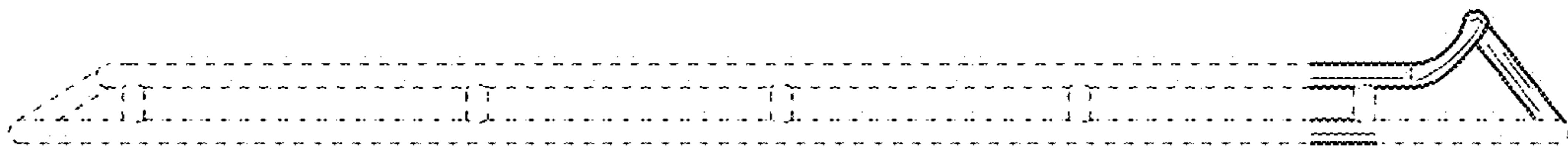


FIG.21

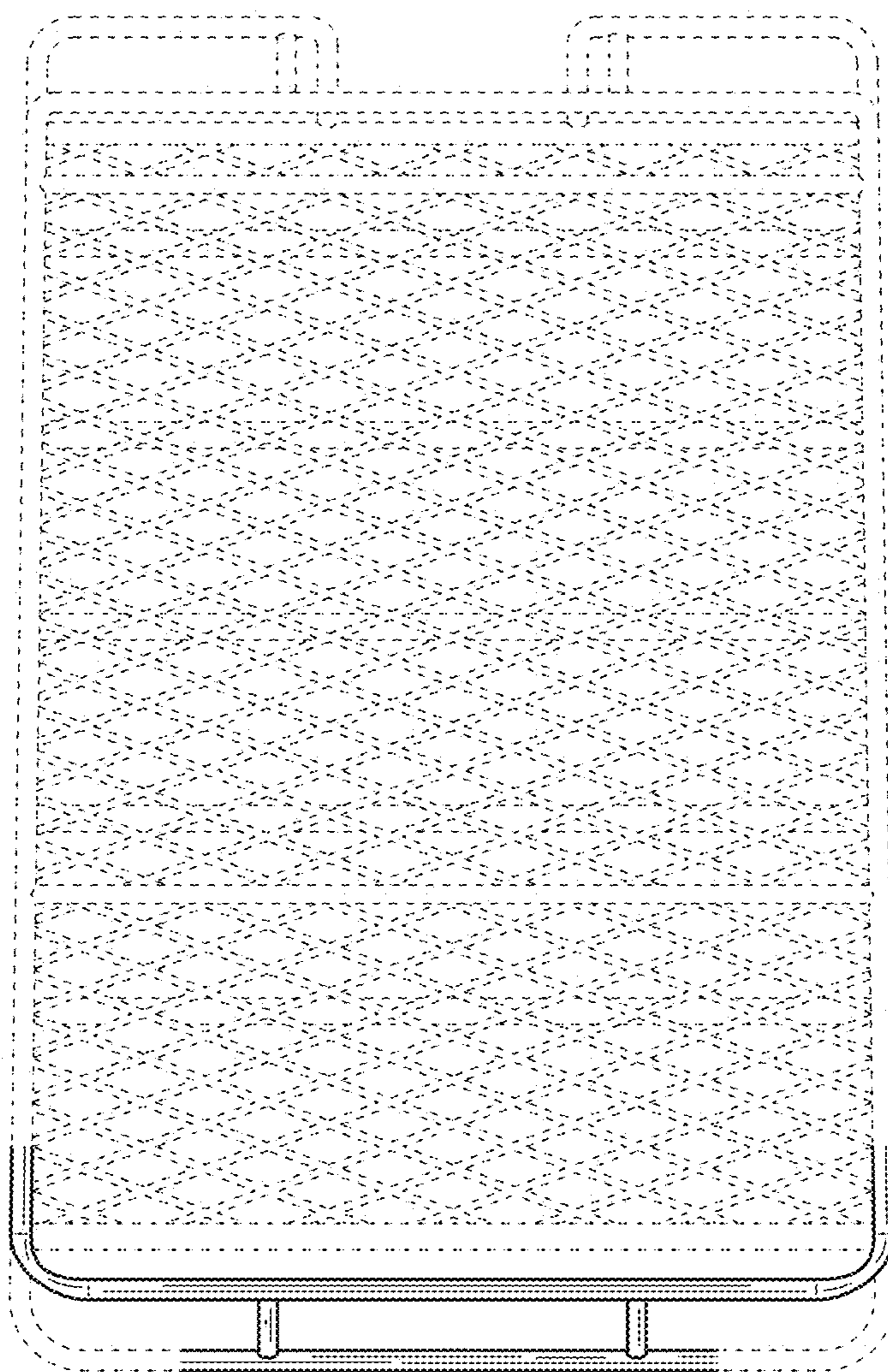


FIG.22

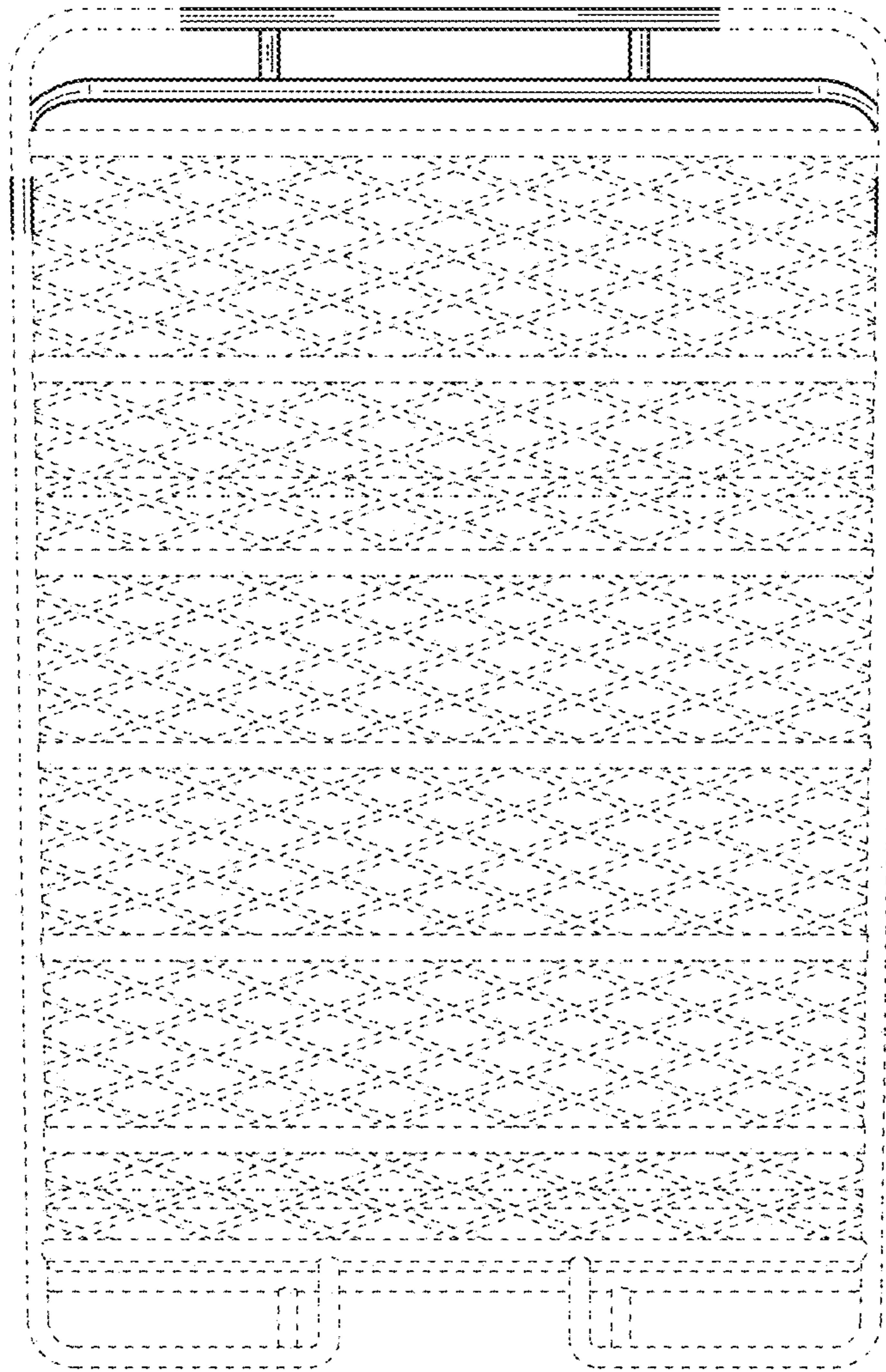


FIG. 23

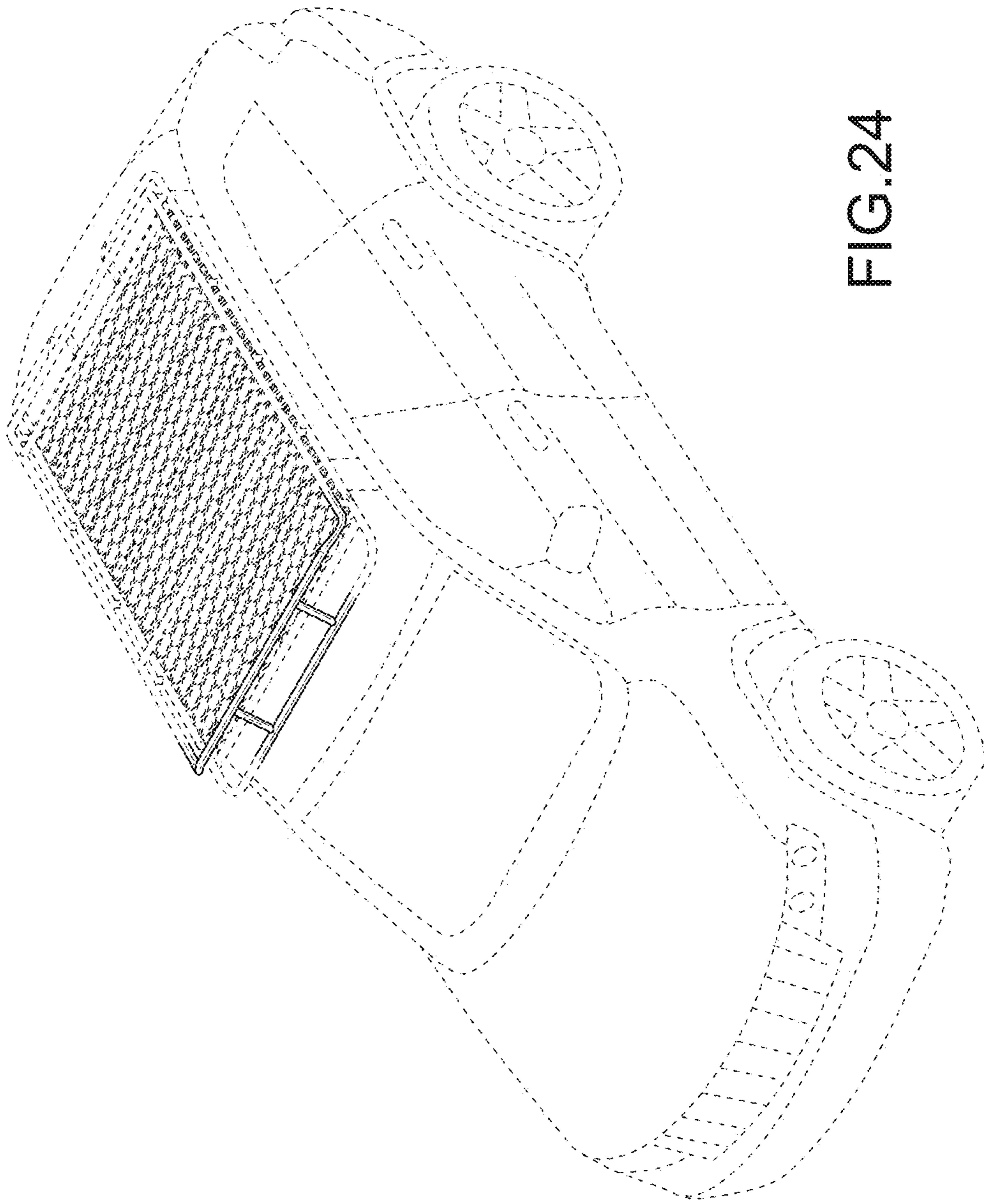


FIG.24

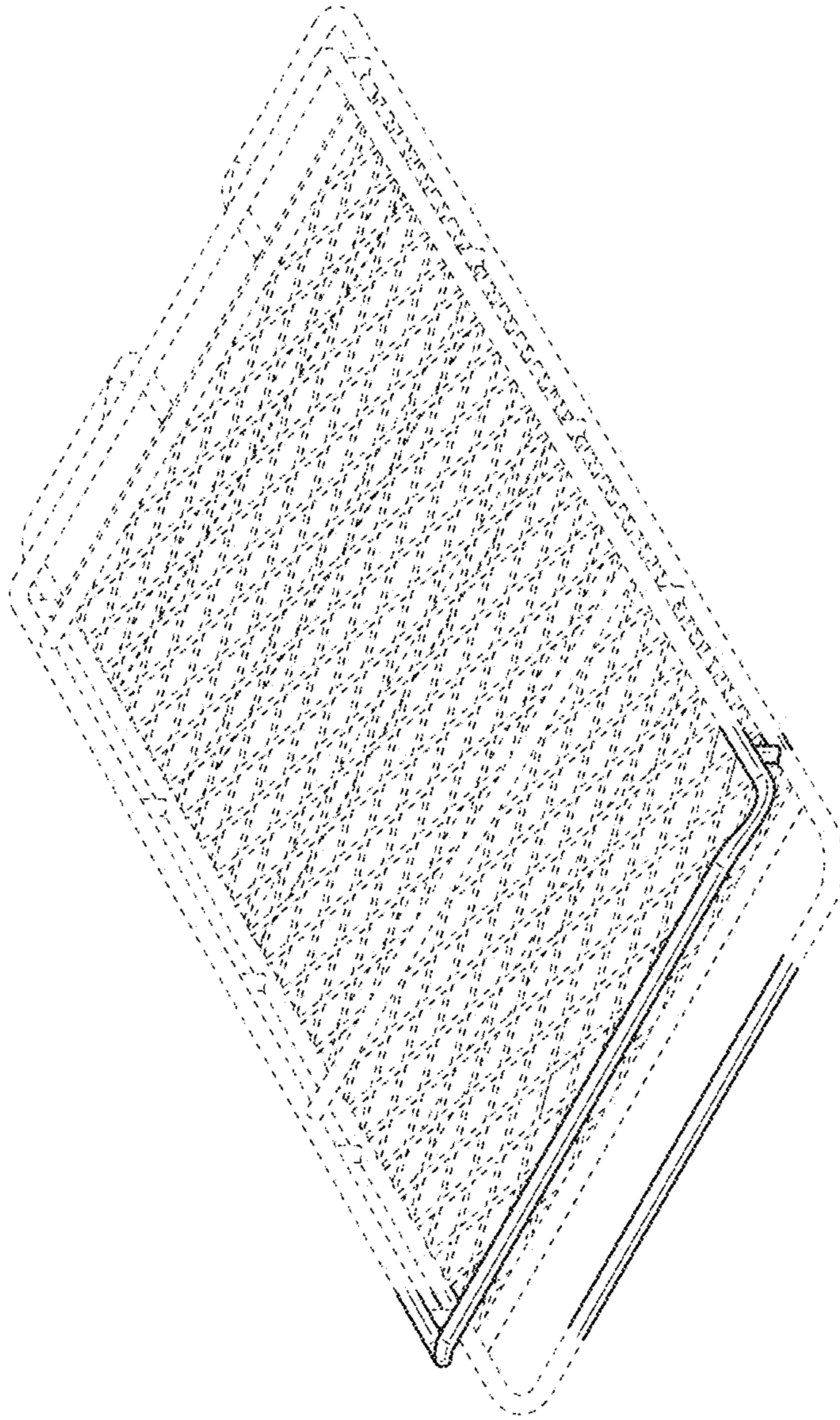


FIG.25



FIG.26

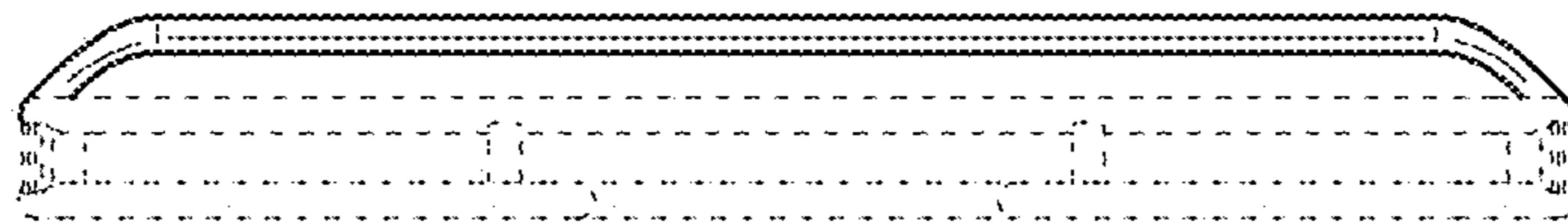


FIG.27

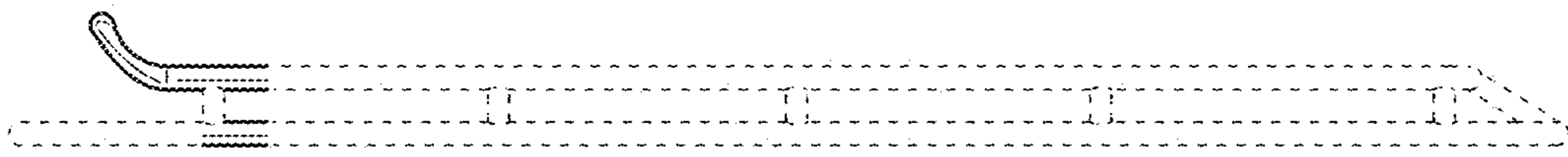


FIG.28

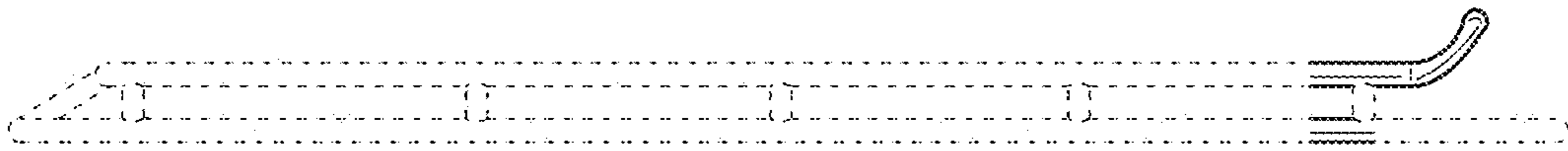


FIG.29

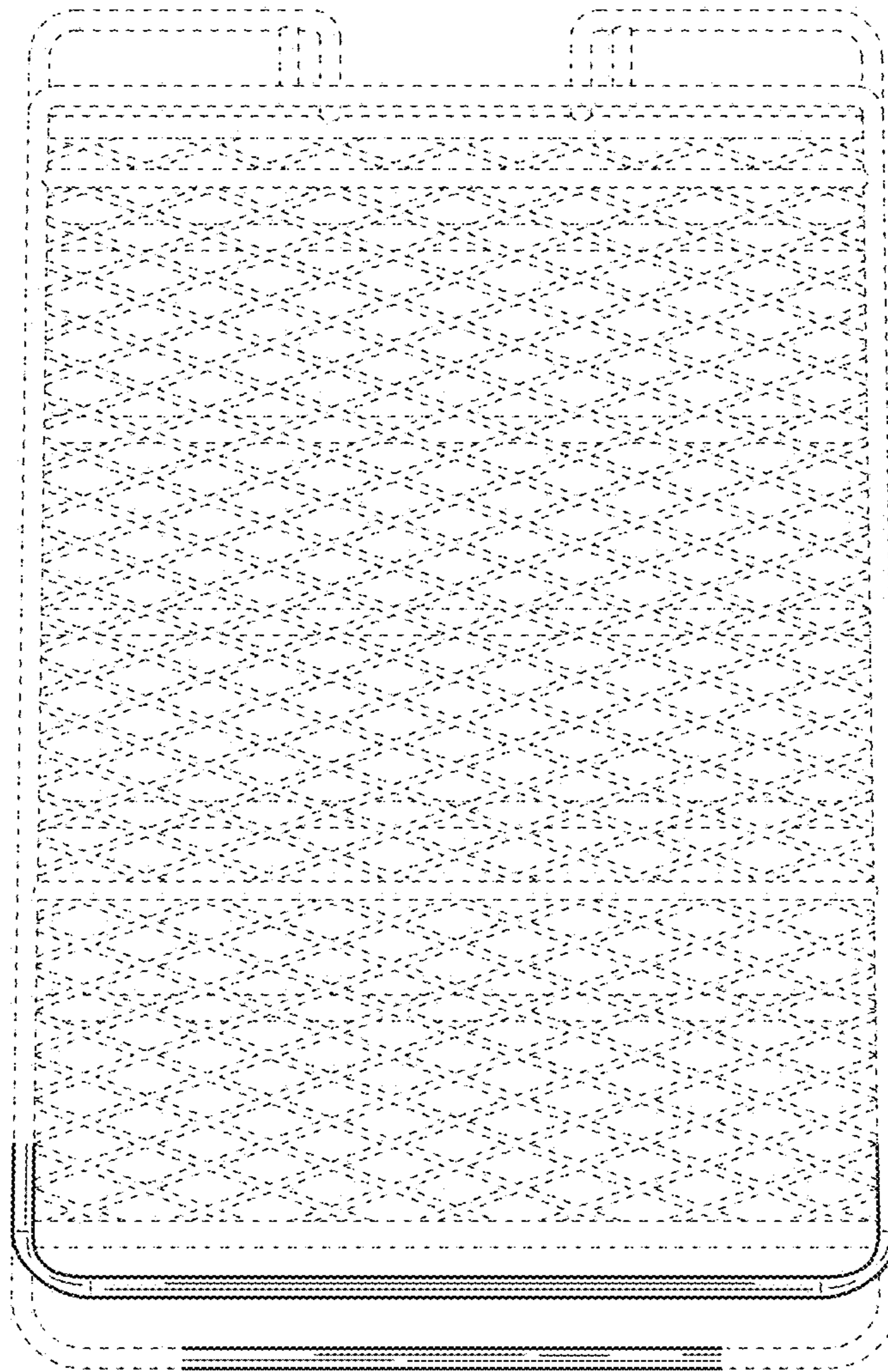


FIG.30

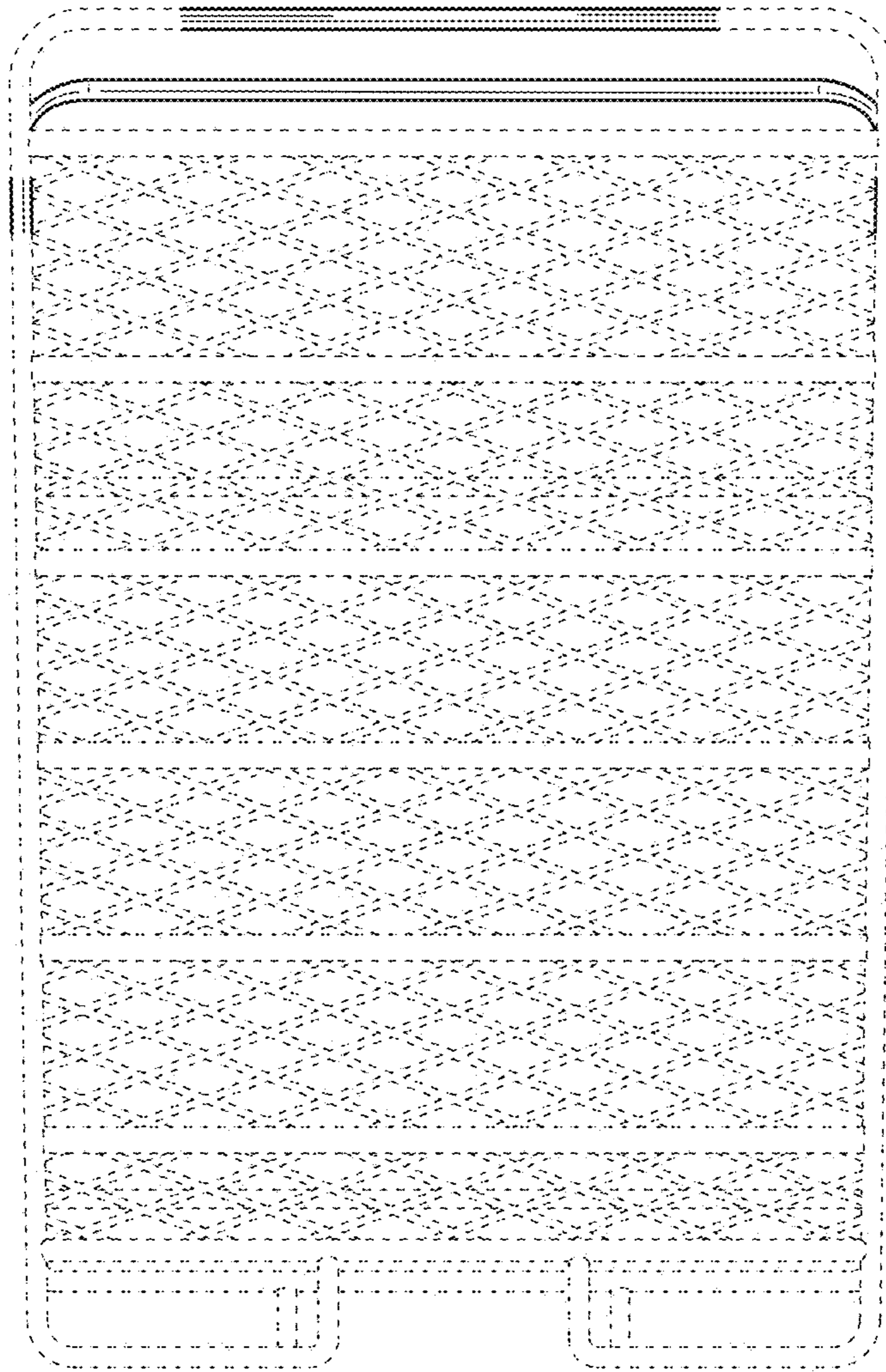


FIG.31

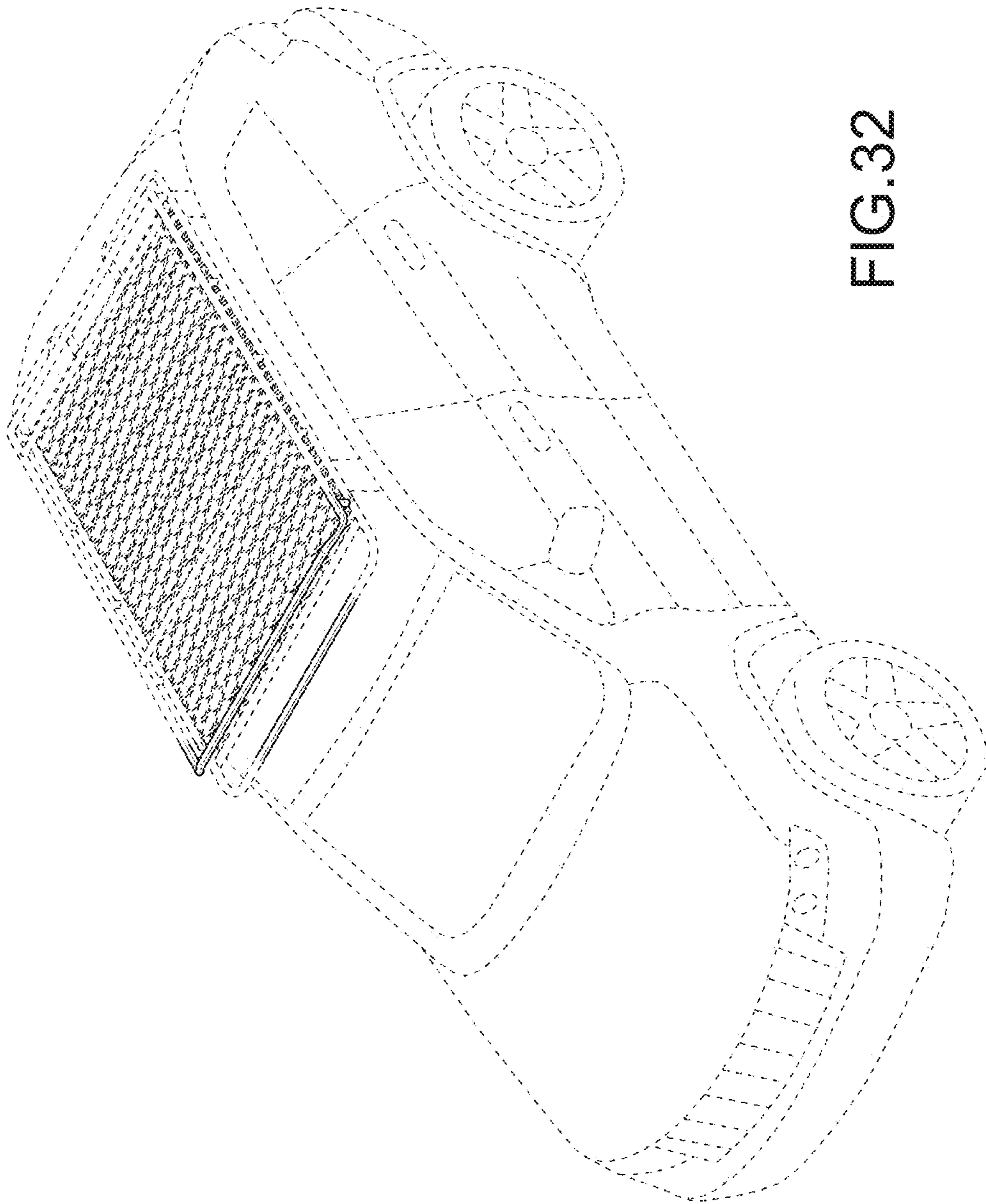


FIG.32