



US00D915995S

(12) **United States Design Patent** (10) **Patent No.:** **US D915,995 S**
Kerr et al. (45) **Date of Patent:** **** Apr. 13, 2021**

(54) **AWNING**

FOREIGN PATENT DOCUMENTS

(71) Applicant: **AMG GROUP LIMITED**, Port Glasgow (GB)
(72) Inventors: **Lisa Kerr**, Port Glasgow (GB); **Stephen Newlands**, Port Glasgow (GB)
(73) Assignee: **AMG GROUP LIMITED**, Port Glasgow (GB)

CN	304456002	*	1/2018
CN	304483602	*	1/2018
EM	002099630-0002	*	9/2012
EM	002146944-0001	*	12/2012
EM	002729426-0001	*	7/2015
EM	004015923-0002	*	5/2017
GB	4028125	*	2/2013

(**) Term: **15 Years**

OTHER PUBLICATIONS

(21) Appl. No.: **29/686,604**

Thule G3 Residence Room for Thule Omnistor Awnings <https://www.roseawnings.co.uk/shop/thule-tents-room-systems/thule-g3-residence-room/> Mar. 2017 (Year: 2017).*
“Retreat Tailgate Annex.” Retreat Tailgate Annex—Carefree of Colorado, Carefree of Colorado, Sep. 14, 2018, www.carefreeofcolorado.com/products/retreat-tailgate-annex.html.

(22) Filed: **Apr. 5, 2019**

(51) **LOC (13) Cl.** **12-16**

(52) **U.S. Cl.**
USPC **D12/403**

* cited by examiner

(58) **Field of Classification Search**
USPC D12/401–405; D21/834–838; D25/55, D25/56, 57
CPC E04H 15/06; B62J 19/00; B62J 1/18; B62J 1/22; B62J 1/24; B62J 1/26; B62J 1/28
See application file for complete search history.

Primary Examiner — Leanne Was-Englehart
(74) *Attorney, Agent, or Firm* — Perry + Currier

(56) **References Cited**

(57) **CLAIM**

We claim the ornamental design for an awning, as shown and described.

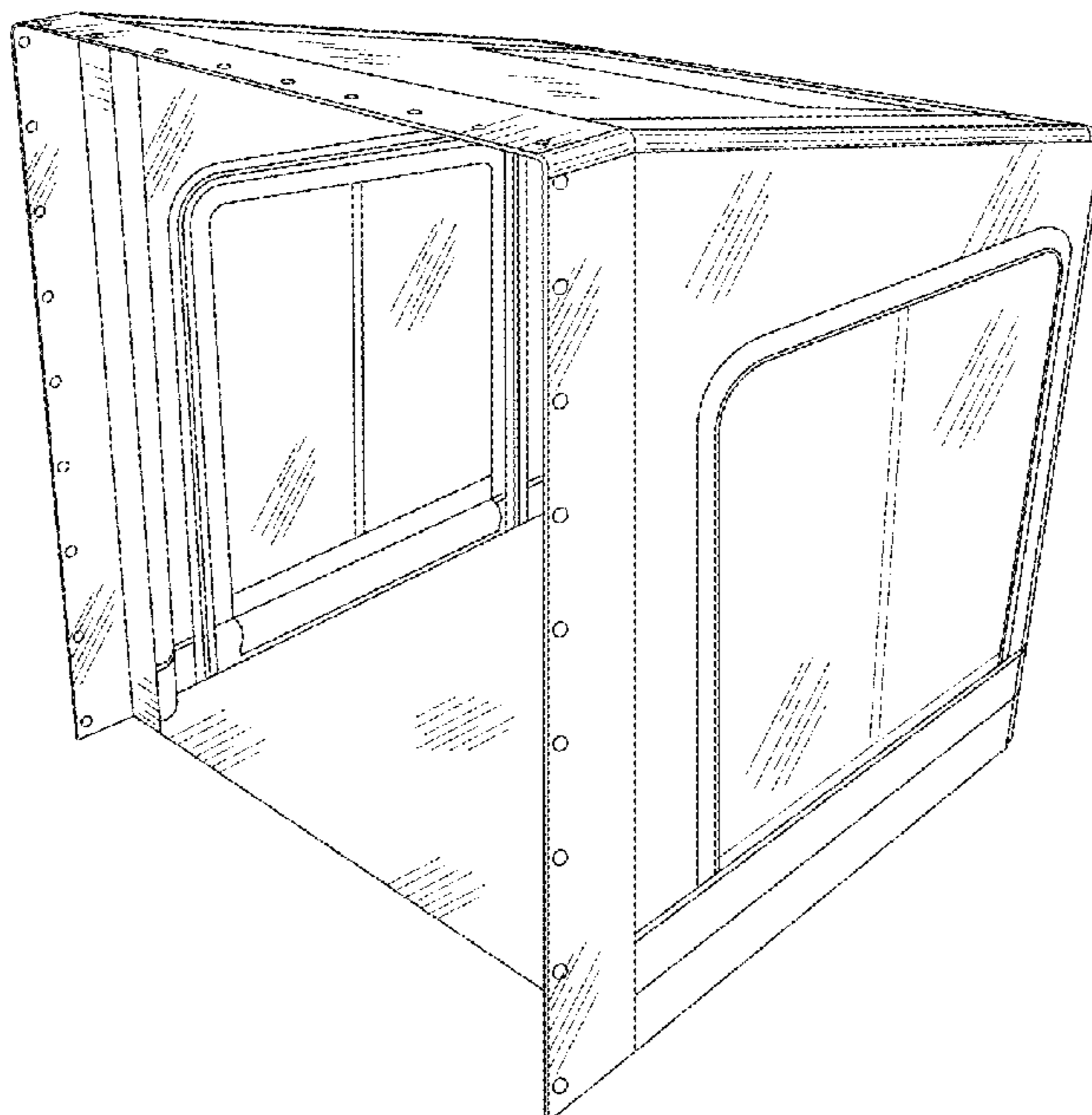
U.S. PATENT DOCUMENTS

DESCRIPTION

D101,649 S	*	10/1936	Reynolds et al.	D25/57
D160,658 S	*	10/1950	Phillips	D25/57
D299,817 S	*	2/1989	Wolcott	D12/403
D320,952 S	*	10/1991	Lang	D11/145
D516,155 S	*	2/2006	Goodwin	D21/834
D583,746 S	*	12/2008	Napieraj	D12/403
D583,747 S	*	12/2008	Napieraj	D12/403
D634,445 S	*	3/2011	Mason	D25/56
D640,765 S	*	6/2011	Corradi	D21/837
D796,420 S	*	9/2017	Abrams	D12/403
D808,885 S	*	1/2018	Napieraj	D12/403
D813,144 S	*	3/2018	McGregor	D12/403

FIG. 1 is a top perspective view of an awning in accordance with the present design;
FIG. 2 is a front view of the awning;
FIG. 3 is a right side view of the awning;
FIG. 4 is a rear view of the awning;
FIG. 5 is a left view of the awning; and,
FIG. 6 is a top view of the awning.
The broken lines depict portions of the awning that form no part of the claimed design.

1 Claim, 6 Drawing Sheets



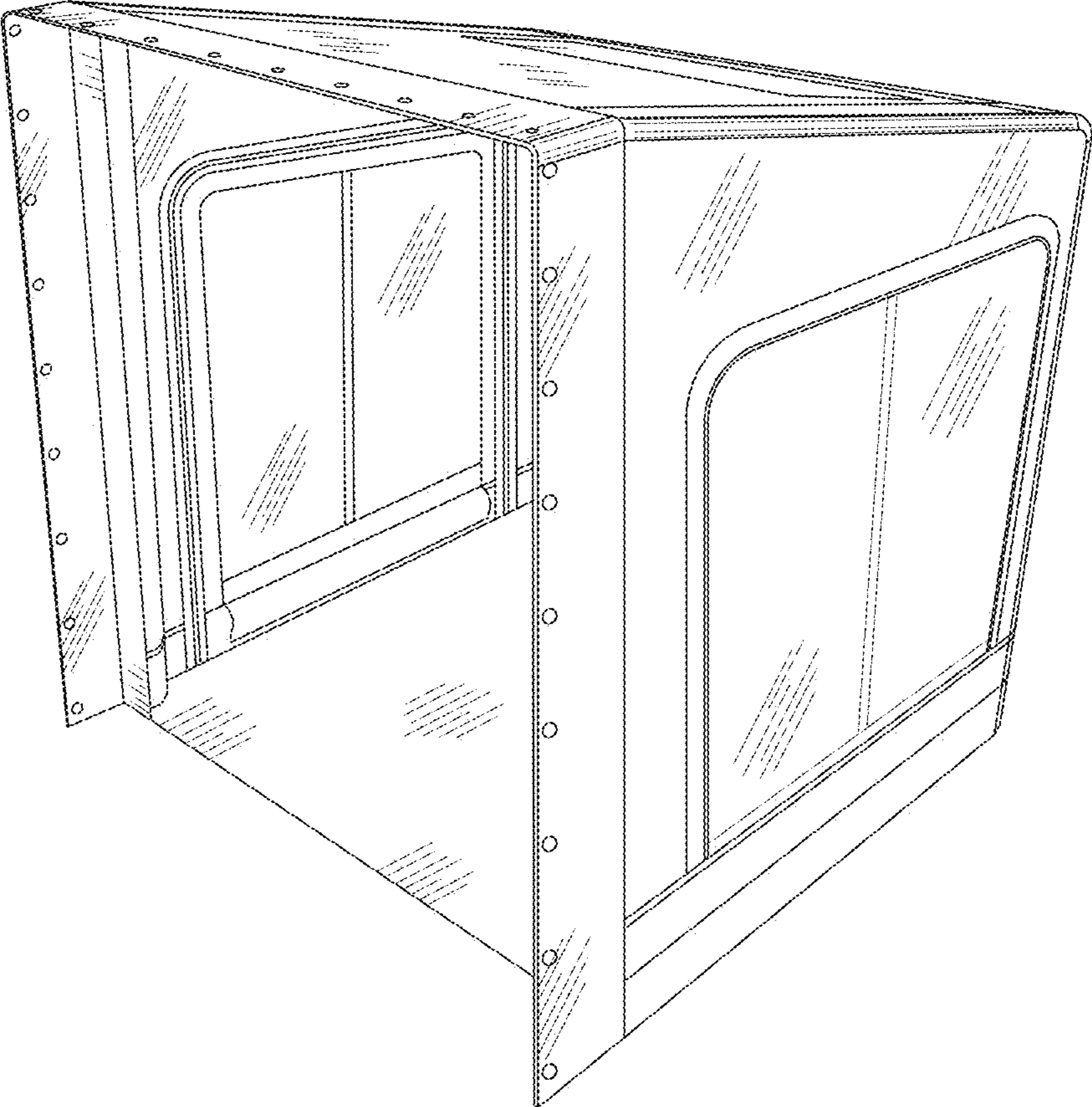


FIG. 1

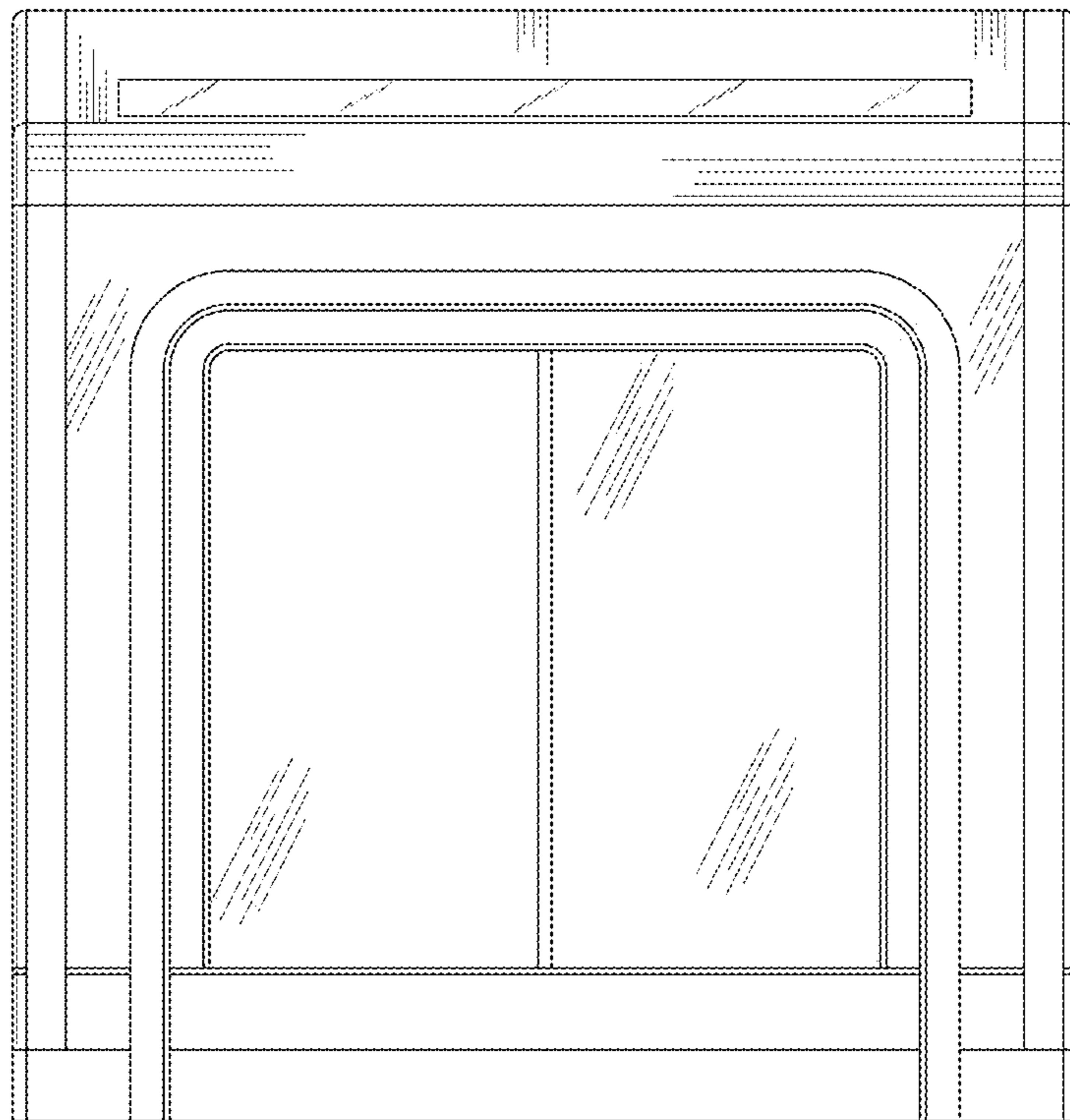


FIG. 2

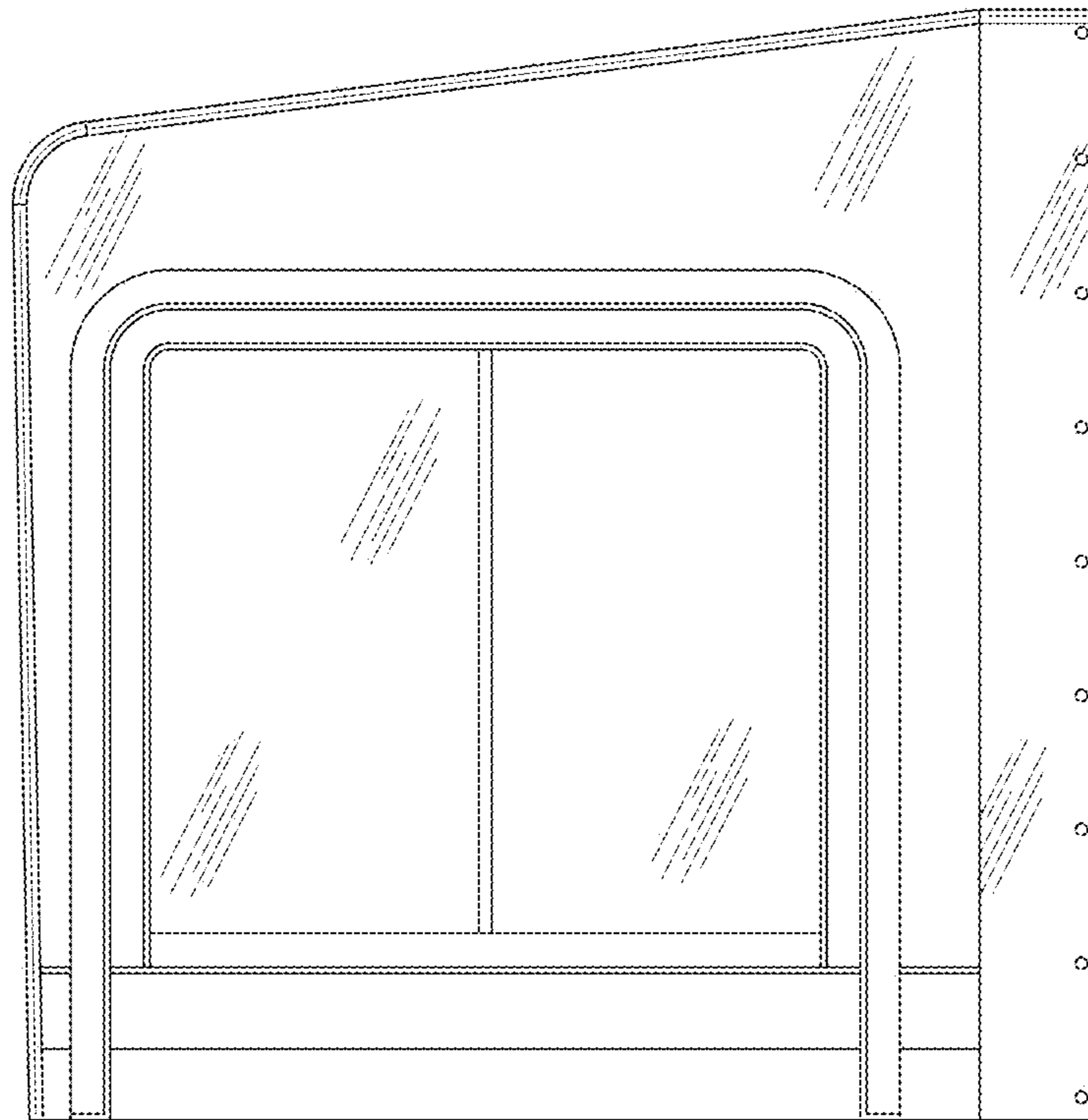


FIG. 3

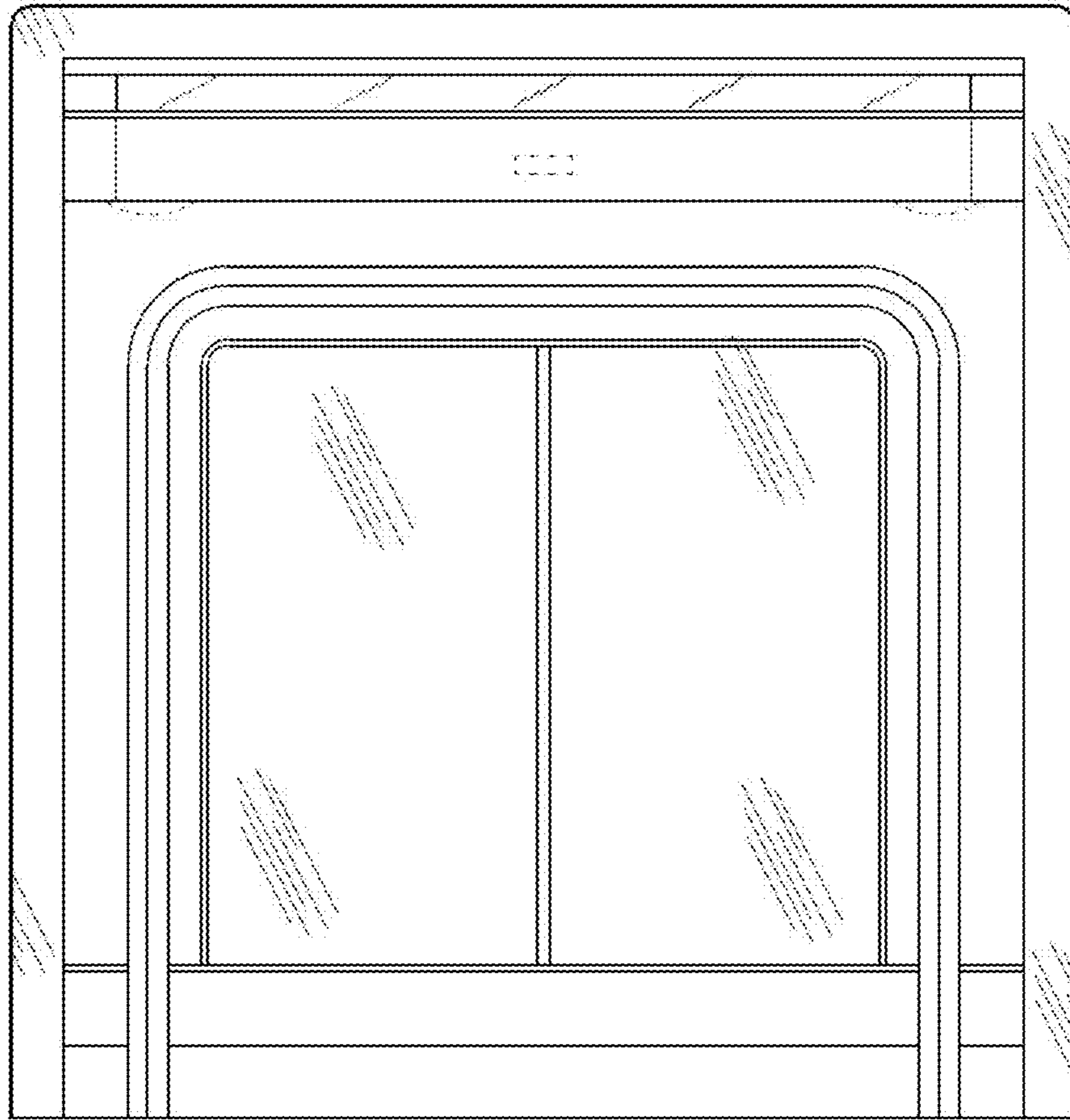


FIG. 4

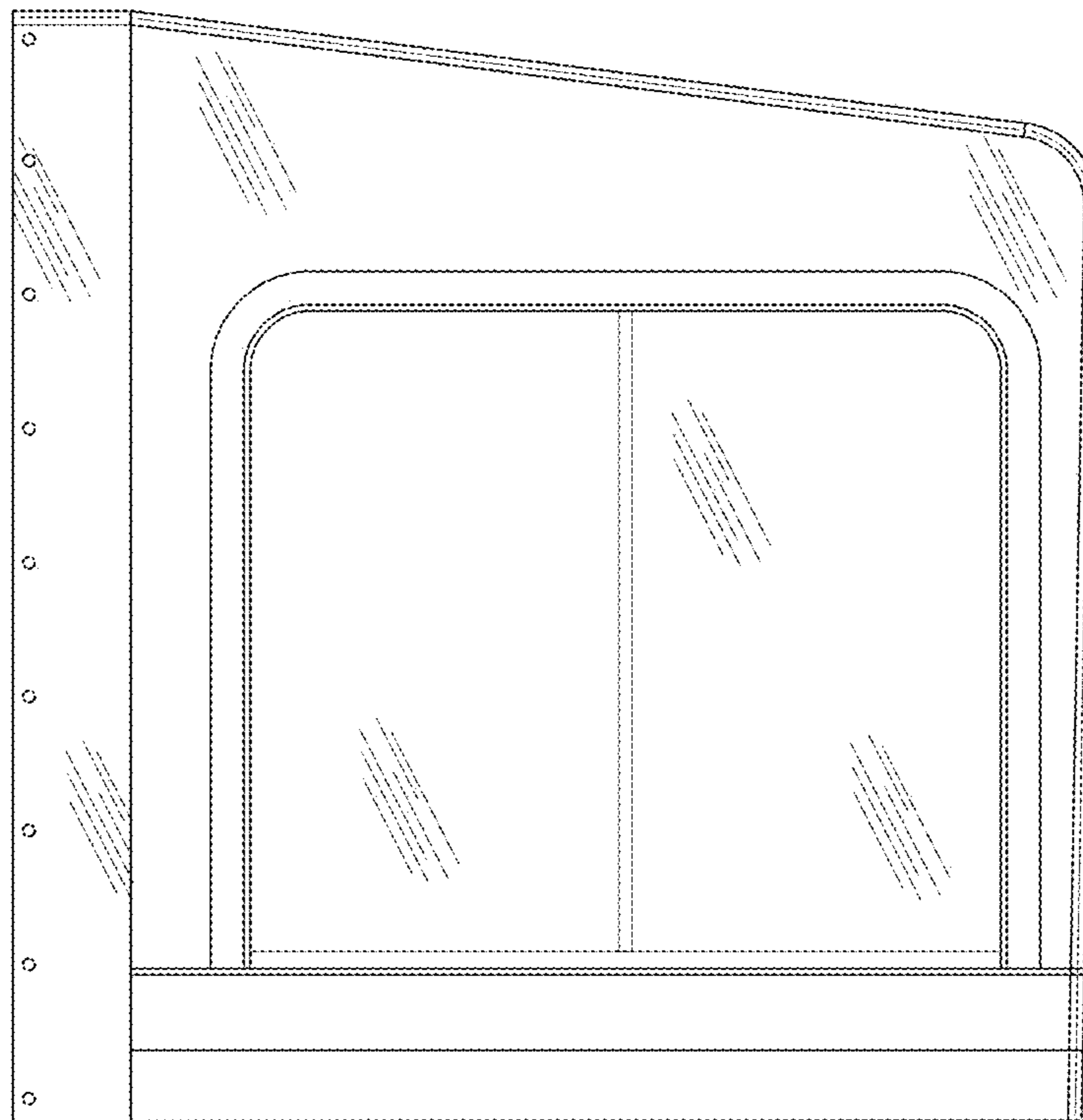


FIG. 5

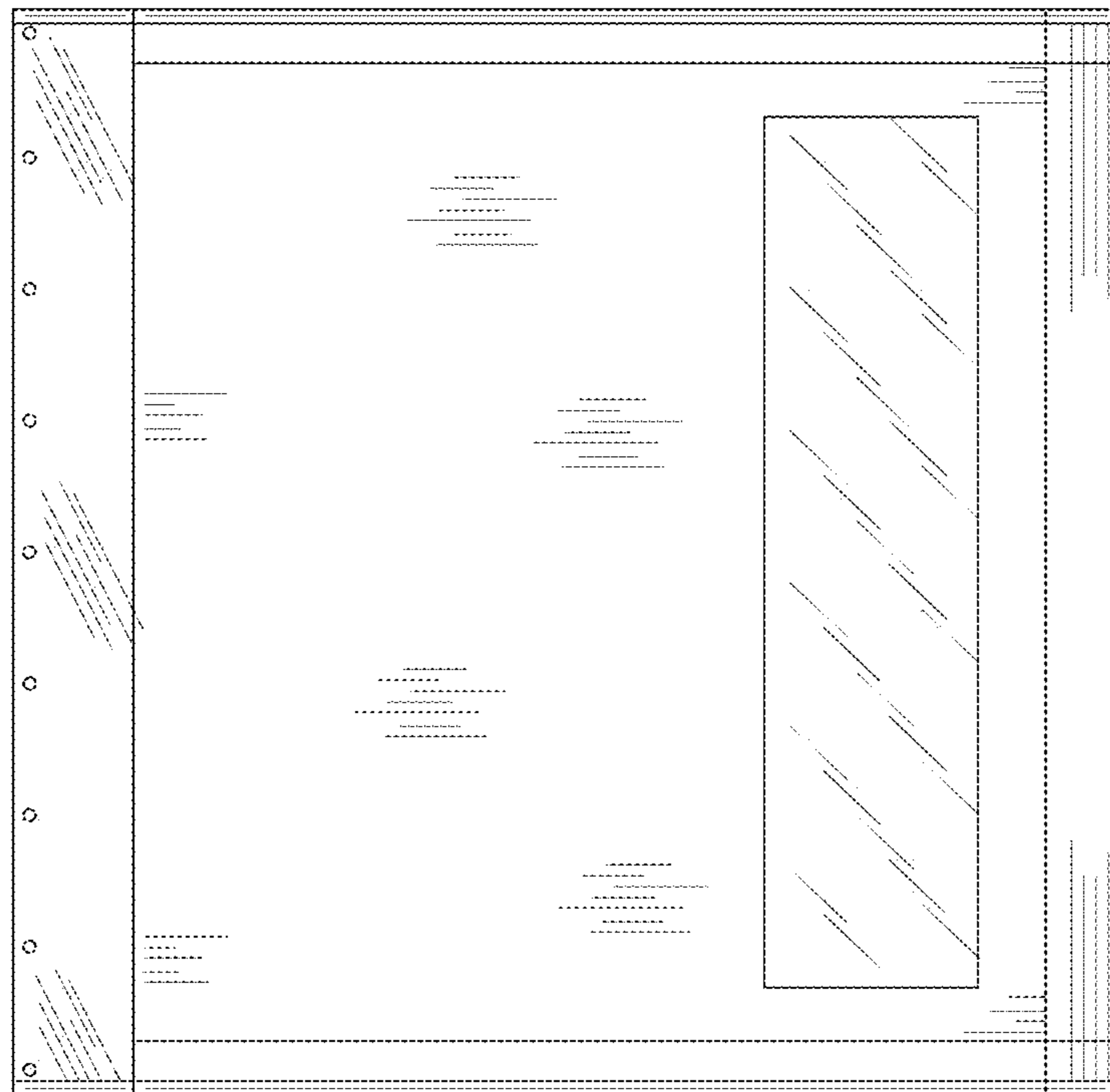


FIG. 6