



US00D915994S

(12) **United States Design Patent**  
**Pratt**

(10) **Patent No.:** **US D915,994 S**  
(45) **Date of Patent:** **\*\* Apr. 13, 2021**

- (54) **WATERCRAFT RAIL MOUNT**
- (71) Applicant: **RAILBLAZA LIMITED**, Auckland (NZ)
- (72) Inventor: **Christopher Pratt**, Auckland (NZ)
- (73) Assignee: **RAILBLAZA LIMITED**, Auckland (NZ)
- (\*\*) Term: **15 Years**
- (21) Appl. No.: **29/713,997**
- (22) Filed: **Nov. 20, 2019**
- (51) **LOC (13) Cl.** ..... **12-06**
- (52) **U.S. Cl.**  
USPC ..... **D12/317**; D8/349
- (58) **Field of Classification Search**  
USPC ..... D12/223, 317, 400; D8/349, 354, 355, D8/330, 331, 333, 380, 382; D6/320, D6/512, 553, 555, 574, 641, 661, 672, D6/673, 675, 675.1, 675.2, 675.5, 680, D6/682, 682.1, 683.1, 684, 685, 694, 696, D6/697, 698, 700, 703.5, 705, 705.4, D6/705.5, 705.6, 707.19, 719  
CPC ..... B63B 32/00; B63B 32/70; B63B 32/77; B63B 32/83; B63B 17/00; B63B 34/26; B63B 21/04; B63B 21/08; B60R 11/00; E04B 1/2604; E04B 2001/2644; F16B 7/18; F16B 37/145; Y10T 403/4602; Y10T 403/4674; Y10T 403/3906  
See application file for complete search history.

(56) **References Cited**

**U.S. PATENT DOCUMENTS**

- D443,493 S \* 6/2001 Skeem ..... D8/72
- 7,350,755 B1 \* 4/2008 Harrison ..... B63B 17/00  
248/214
- D658,482 S \* 5/2012 Pratt ..... D8/349
- D700,503 S \* 3/2014 Furling ..... D8/354
- D732,926 S \* 6/2015 Booth ..... D8/354
- D757,520 S \* 5/2016 Pratt ..... D8/349

- D843,197 S \* 3/2019 Dempsey ..... D8/343
- D883,071 S \* 5/2020 Pratt ..... D8/349
- 2008/0087782 A1 \* 4/2008 Sutherland ..... A01K 97/10  
248/231.9
- 2008/0101883 A1 \* 5/2008 Derecktor ..... B60P 7/0815  
410/104
- 2015/0344113 A1 \* 12/2015 Friedman ..... B63B 32/00  
224/406
- 2020/0340712 A1 \* 10/2020 Leitch ..... F24S 25/615

**OTHER PUBLICATIONS**

Pontoon Boat Rail Mount, Published on Jul. 31, 2020 [online], [retrieved on Jan. 2, 2021], Retrieved from the Internet: <https://www.amazon.com/dp/B08DDJC798?tag=dlasche23-20&linkCode=ogi&th=1&psc=1> (Year: 2021).\*

\* cited by examiner

*Primary Examiner* — Karen E Kearney  
*Assistant Examiner* — Adam C Mager  
(74) *Attorney, Agent, or Firm* — Grogan, Tuccillo & Vanderleeden, LLP

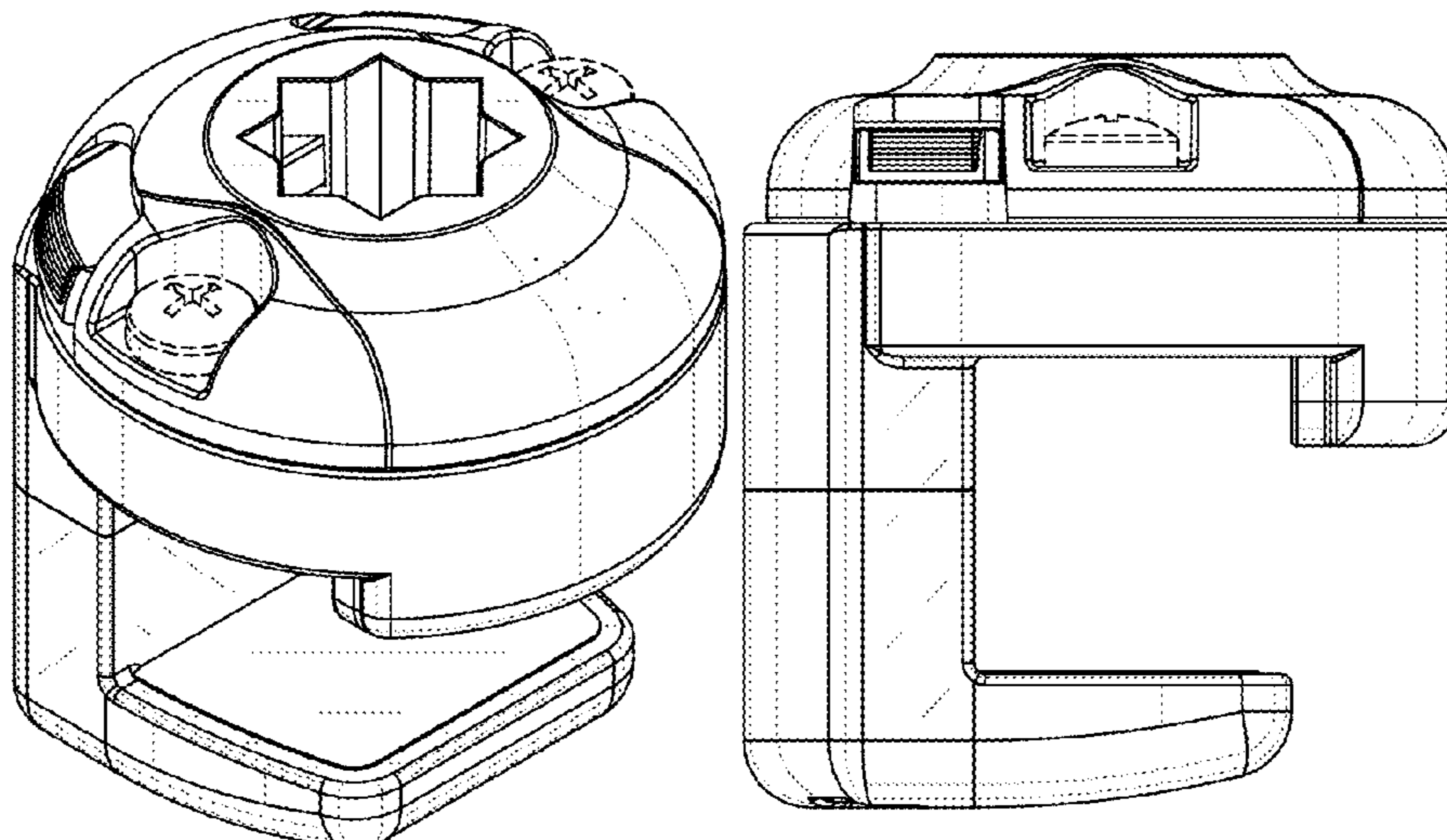
(57) **CLAIM**

The ornamental design for a watercraft rail mount, as shown and described.

**DESCRIPTION**

FIG. 1 is a first isometric view of a watercraft rail mount showing our new design;  
FIG. 2 is a second isometric view thereof;  
FIG. 3 is a front view thereof;  
FIG. 4 is a back view thereof;  
FIG. 5 is a top view thereof;  
FIG. 6 is a bottom view thereof;  
FIG. 7 is a first side view thereof; and,  
FIG. 8 is a second side view thereof.  
The broken line portion of the figures is included to show unclaimed subject matter only and forms no part of the claimed designs.

**1 Claim, 8 Drawing Sheets**



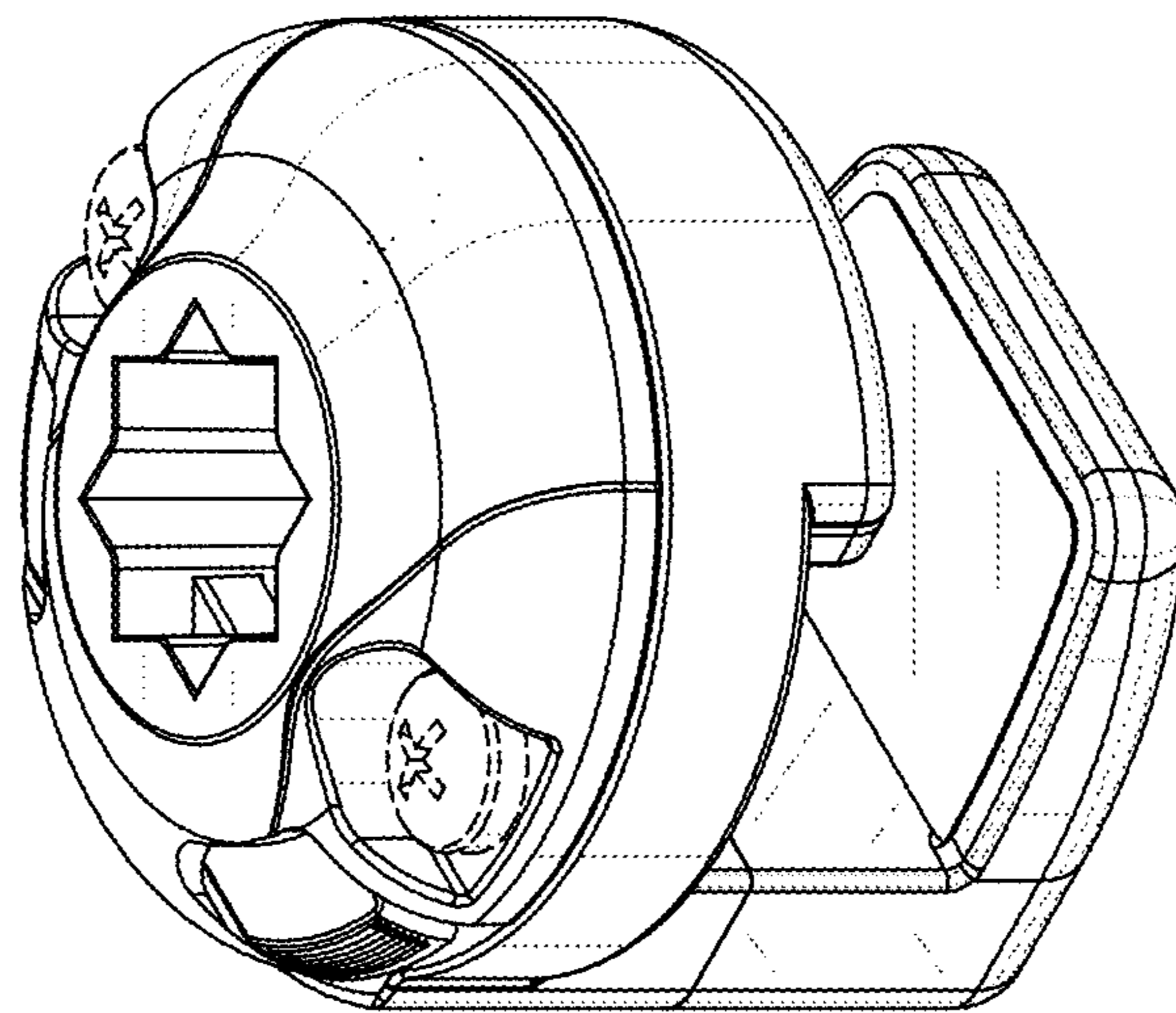


FIG. 1

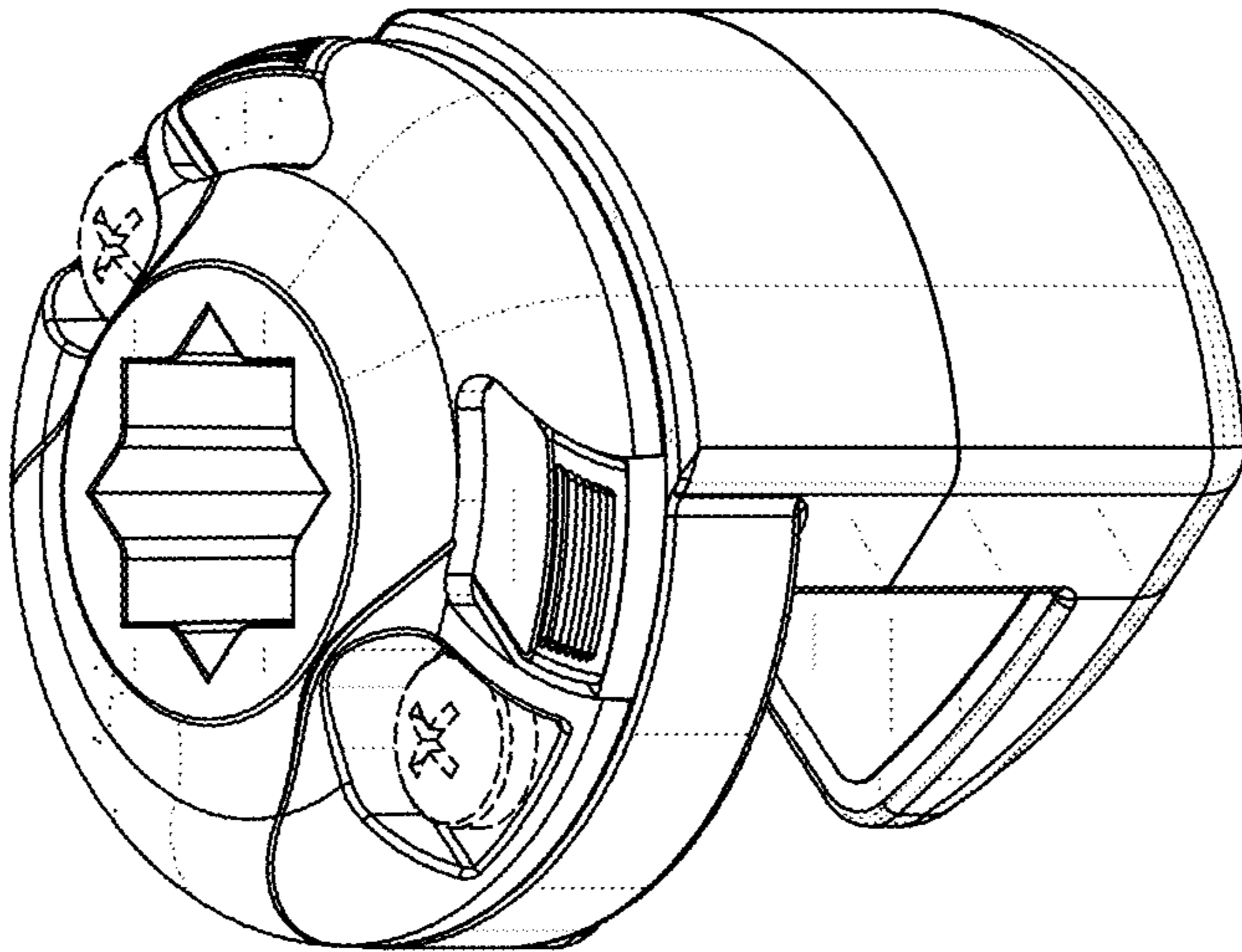


FIG. 2

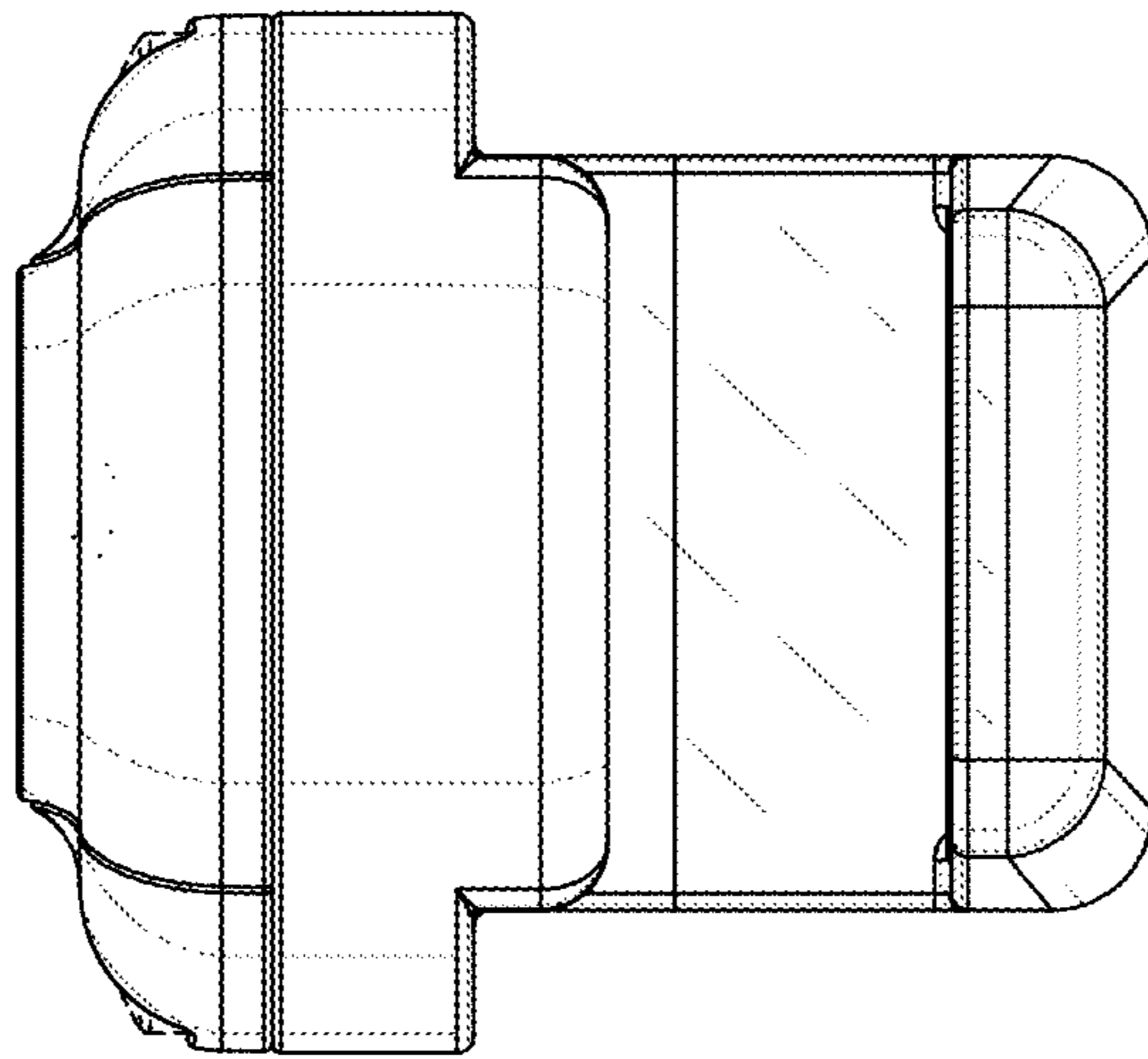


FIG. 3

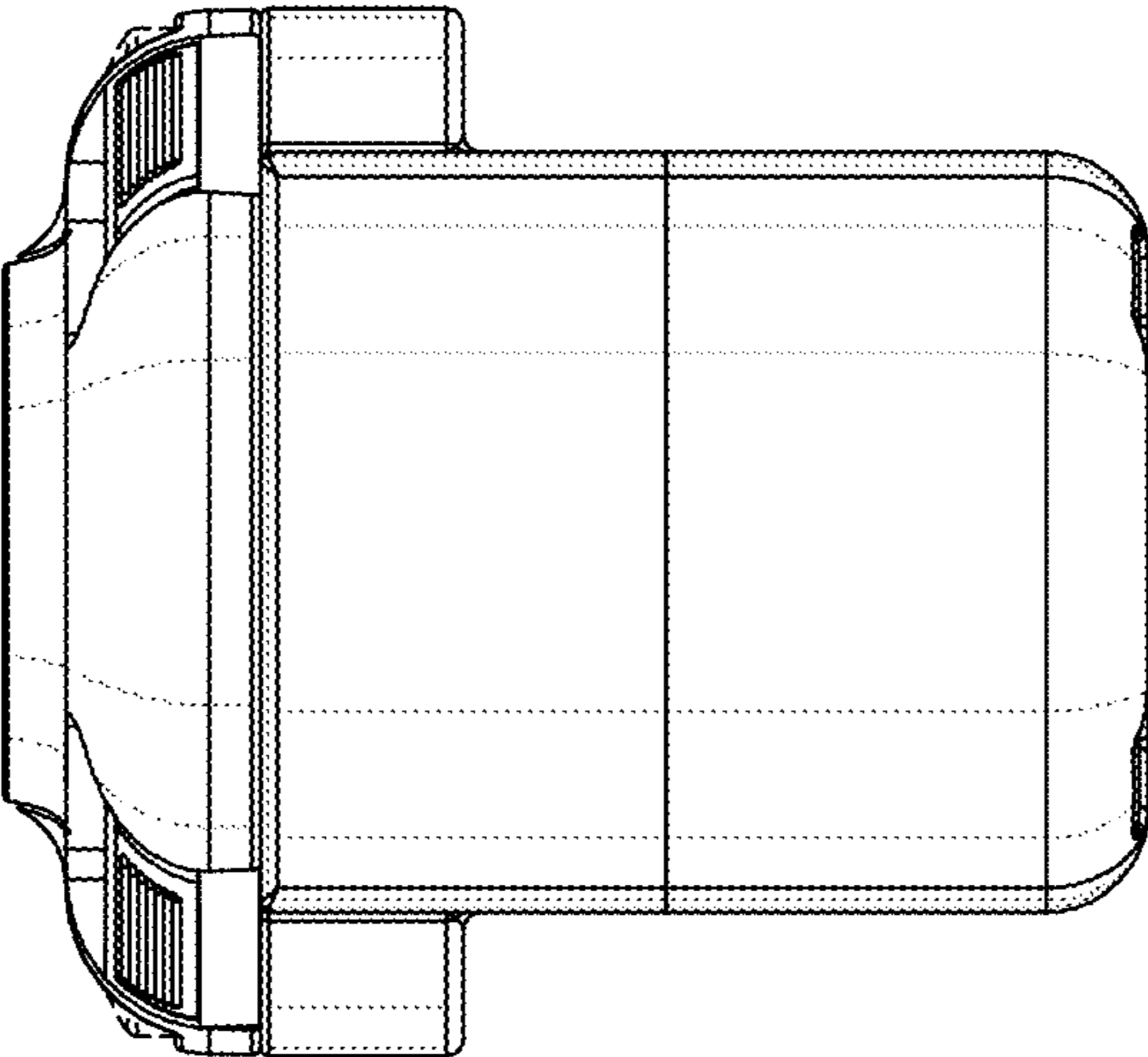


FIG. 4

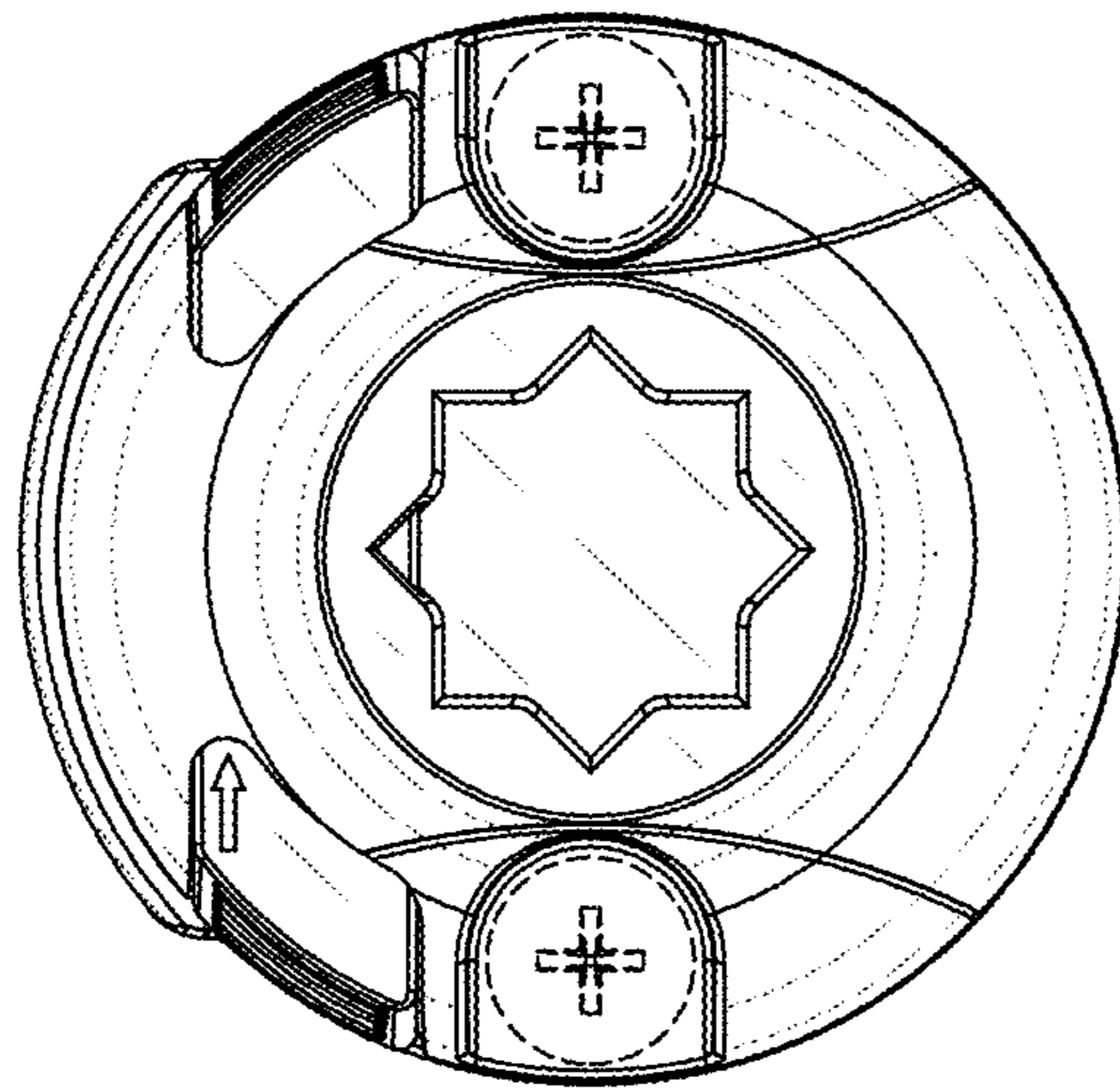


FIG. 5

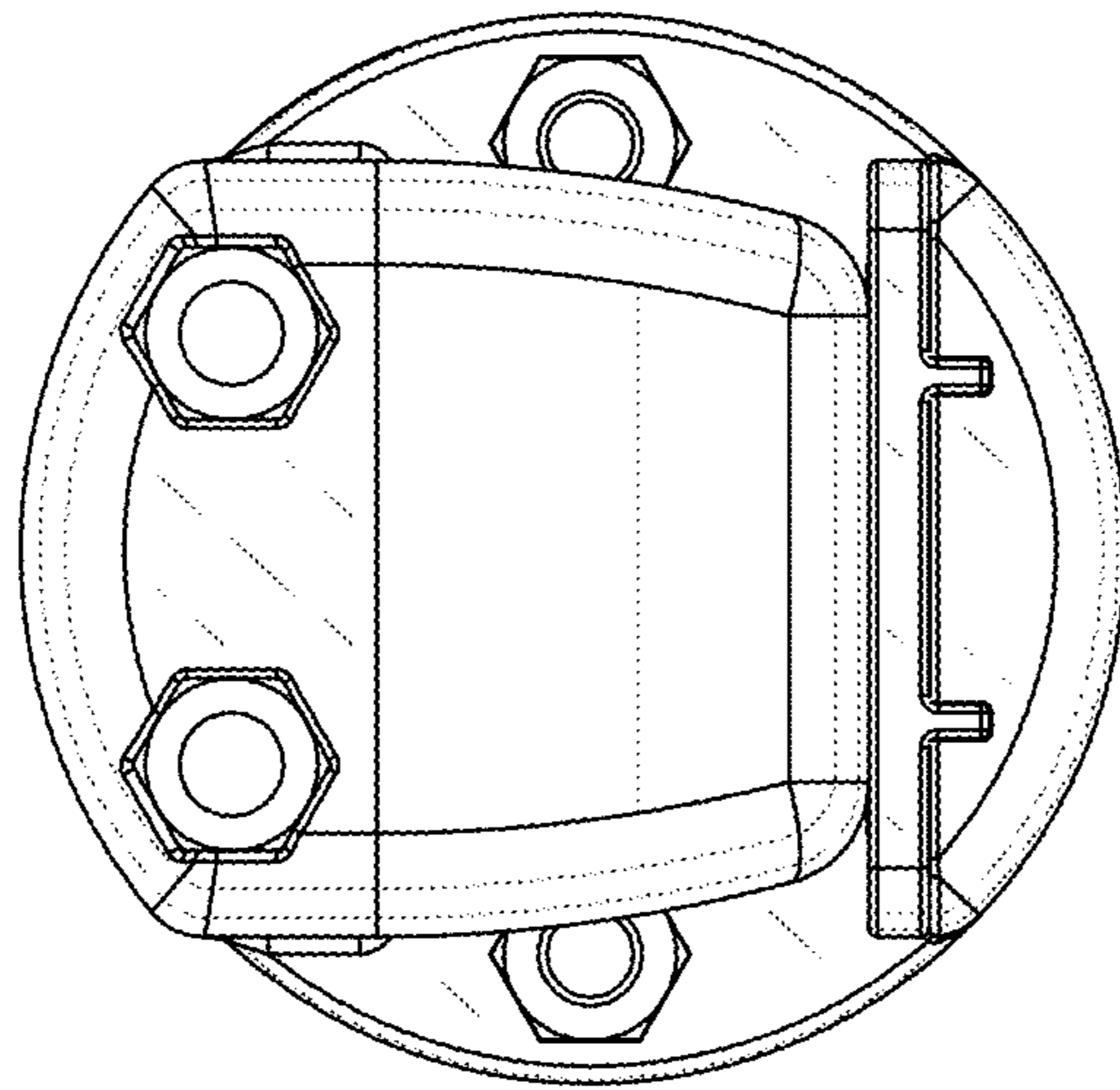


FIG. 6

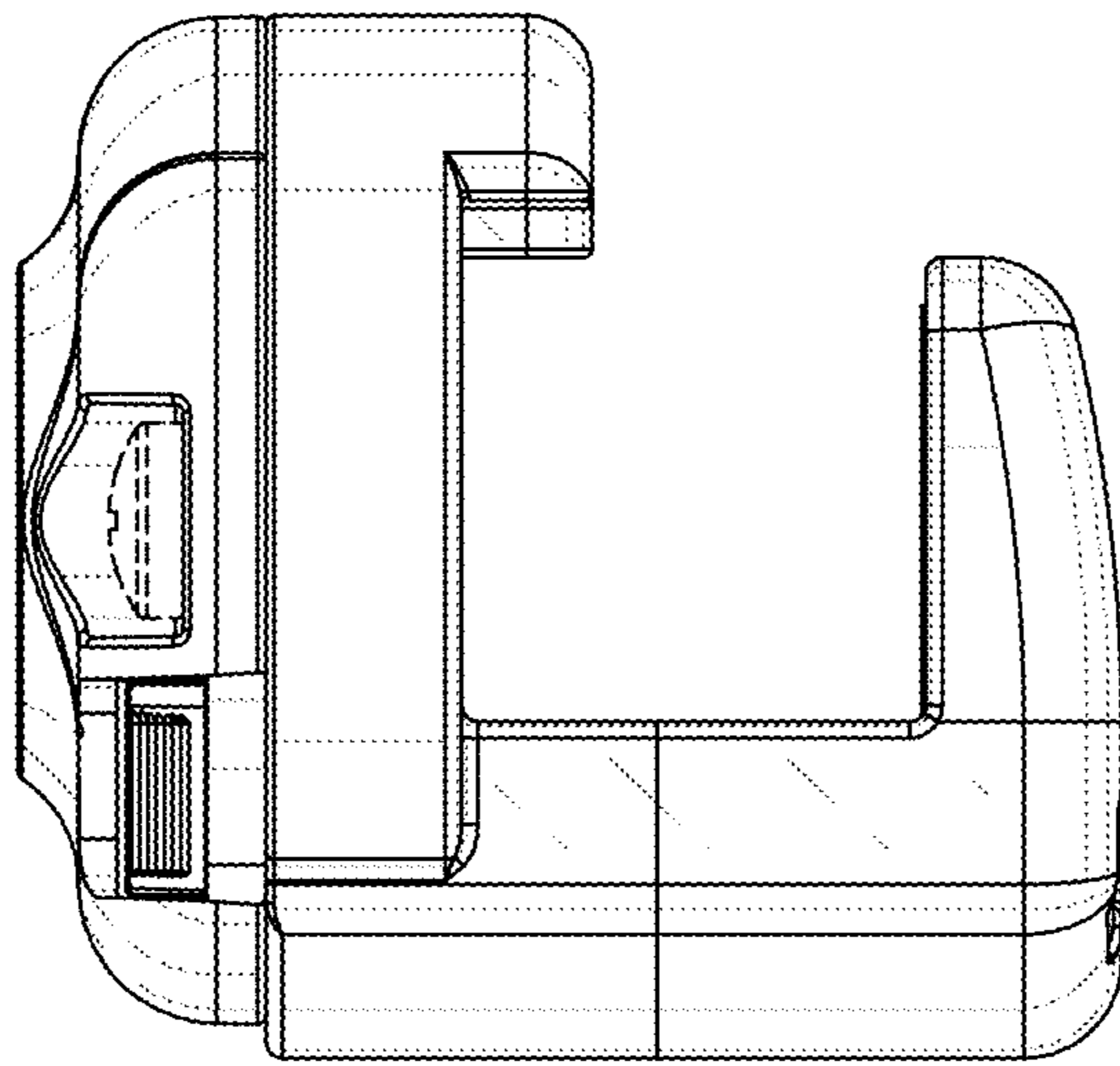


FIG. 7



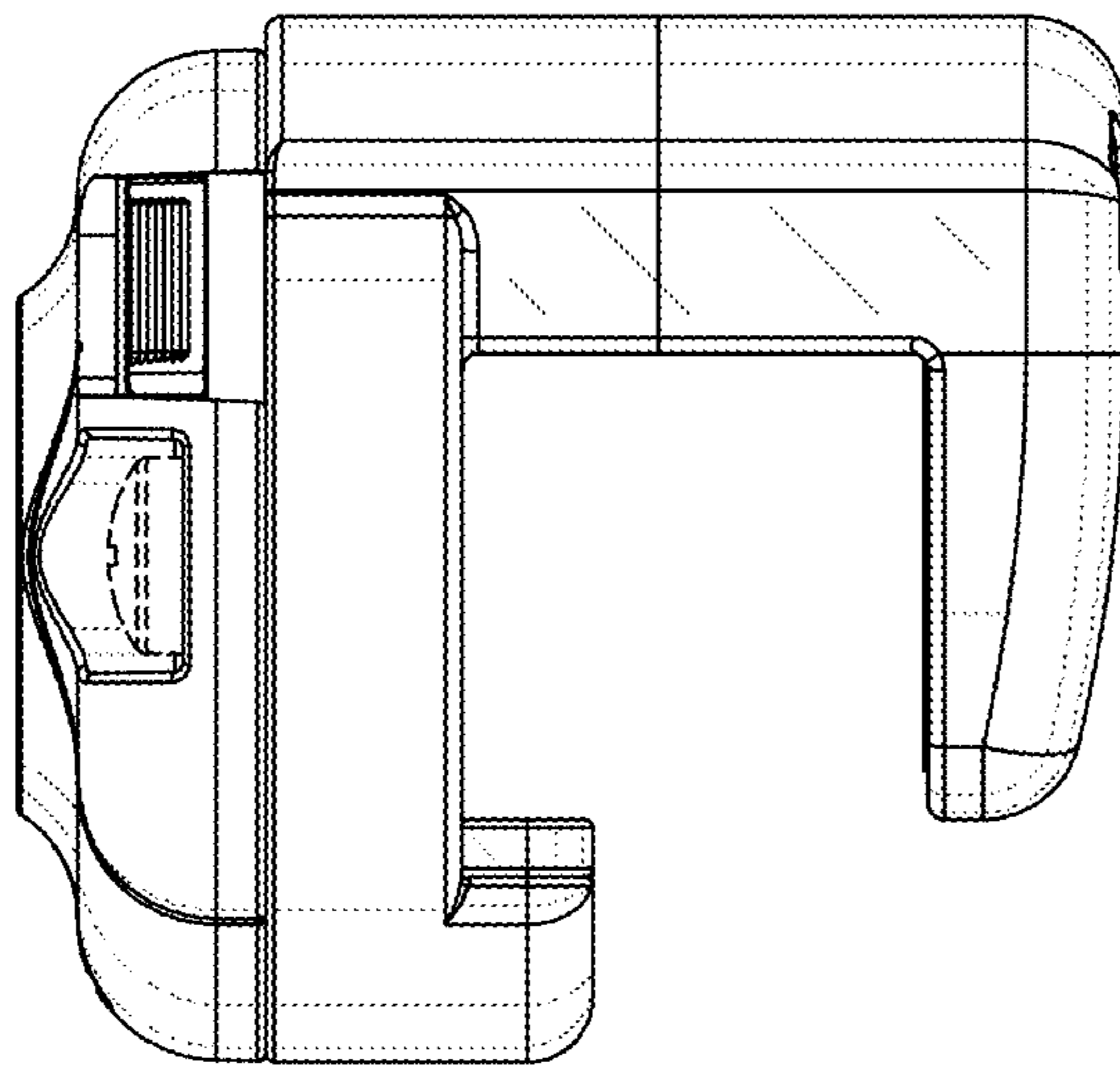


FIG. 8