



US00D915992S

(12) **United States Design Patent**
VanRyn

(10) **Patent No.:** **US D915,992 S**

(45) **Date of Patent:** **** Apr. 13, 2021**

(54) **WHEEL**

(71) Applicant: **Wheel Pros, LLC**, Greenwood Village, CO (US)

(72) Inventor: **Tom VanRyn**, Buena Park, CA (US)

(**) Term: **15 Years**

(21) Appl. No.: **29/728,145**

(22) Filed: **Mar. 16, 2020**

(51) **LOC (13) Cl.** **12-16**

(52) **U.S. Cl.**
USPC **D12/211**

(58) **Field of Classification Search**
USPC D12/204–213; D21/563
CPC B60B 7/00; B60B 7/02; B60B 7/04; B60B 7/01; B60B 7/06; B60B 3/02; B60B 3/04; B60B 3/06; B60B 3/10; B60B 1/00; B60B 1/08; B60B 1/10; B60B 1/12
See application file for complete search history.

D620,873 S	8/2010	Groom	
D625,235 S	10/2010	Nissl	
D625,244 S	* 10/2010	Zhao	D12/211
D638,767 S	5/2011	Groom	
D666,960 S	9/2012	Chung	
D678,155 S	* 3/2013	Gotschke	D12/209
D684,516 S	6/2013	Bennion	
D684,915 S	* 6/2013	Zhao	D12/211
D704,116 S	5/2014	Chung	
D712,332 S	* 9/2014	Seidenberg	D12/211
D714,705 S	10/2014	Kong	
D714,706 S	10/2014	Chung	
D722,002 S	* 2/2015	Stolz	D12/211
D726,628 S	4/2015	Kong	
D727,233 S	* 4/2015	Kong	D12/209
D733,027 S	6/2015	Chung	
D735,104 S	7/2015	Hodges	
D739,803 S	9/2015	Miansian	
D744,929 S	* 12/2015	Zhao	D12/211
D748,556 S	2/2016	Valencia Pollex	
D749,030 S	2/2016	Zhao	
D750,003 S	2/2016	Ahmad	
D755,694 S	5/2016	Valencia Pollex	
D756,287 S	5/2016	Koglin	
D764,373 S	8/2016	Valencia Pollex	
D769,166 S	10/2016	Juergens	

(Continued)

(56) **References Cited**

U.S. PATENT DOCUMENTS

D450,649 S	* 11/2001	Penzes	D12/211
D478,542 S	8/2003	Sulahian	
D513,486 S	1/2006	Rivera	
D522,439 S	* 6/2006	Laengerer	D12/211
D528,954 S	9/2006	Laengerer	
D552,525 S	10/2007	Celik	
D553,068 S	10/2007	Celik	
D576,936 S	9/2008	Imai	
D578,457 S	10/2008	Guidry	
D595,202 S	* 6/2009	Spoerle	D12/211
D599,266 S	9/2009	Bierenbreier	
D613,659 S	4/2010	Cortes	
D619,073 S	7/2010	Groom	
D620,425 S	* 7/2010	Zhao	D12/211
D620,864 S	8/2010	Groom	

Primary Examiner — Stacia A Cadmus

(74) *Attorney, Agent, or Firm* — Eric Hanscom

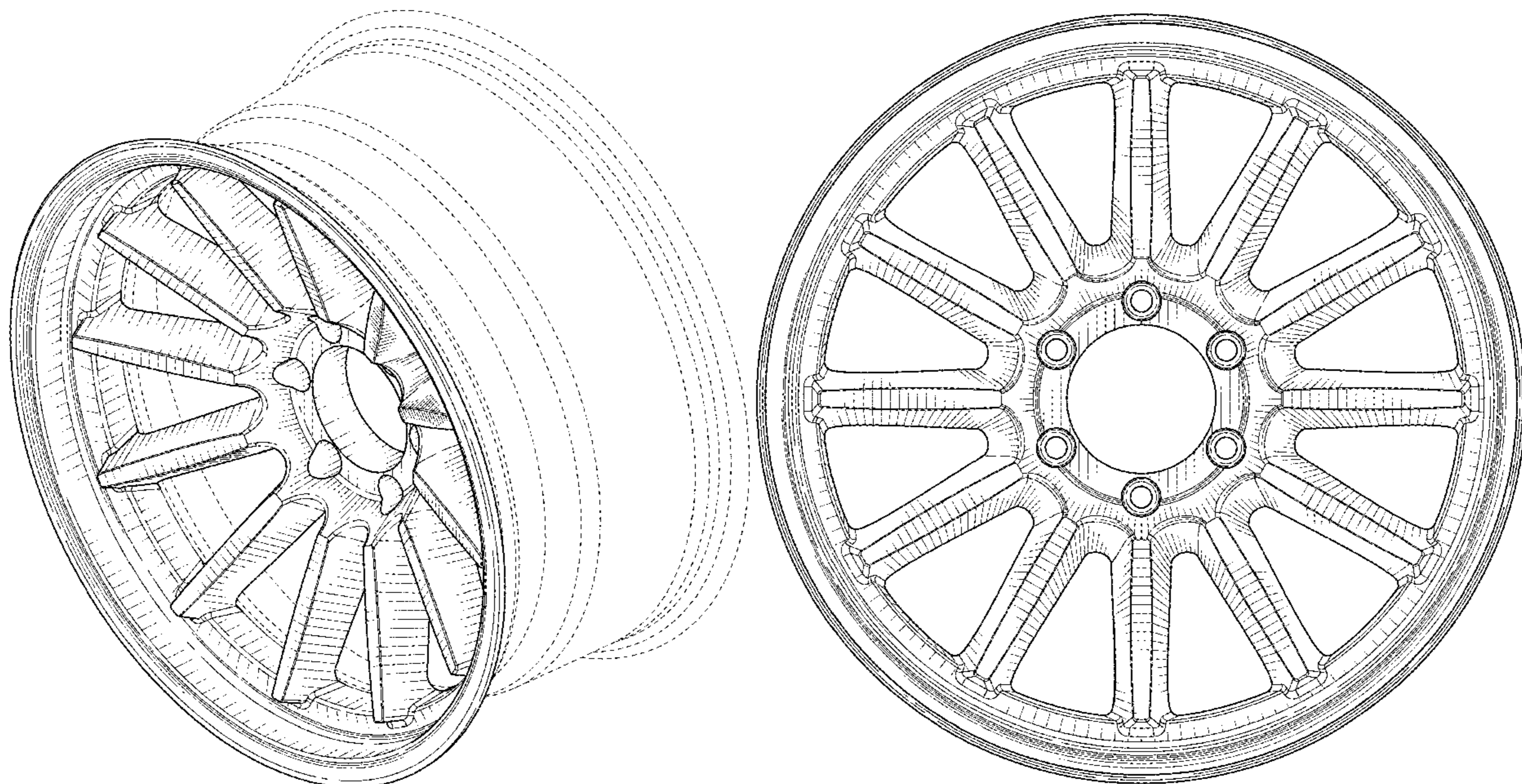
(57) **CLAIM**

The ornamental design for a wheel, as shown and described.

DESCRIPTION

FIG. 1 is a perspective view of a wheel showing my new design; and, FIG. 2 is a front view thereof. In the drawings, broken lines shown in the drawings depict environmental subject matter only and form no part of the claimed design.

1 Claim, 2 Drawing Sheets



(56)

References Cited

U.S. PATENT DOCUMENTS

D770,960 S	11/2016	Svensson	
D775,578 S	1/2017	Johnson	
D788,008 S *	5/2017	Zhao	D12/211
D788,009 S *	5/2017	Zhao	D12/211
D796,409 S *	9/2017	Zhao	D12/211
D809,447 S *	2/2018	Wolff	D12/211
D830,275 S *	10/2018	Aslam	D12/211
D838,646 S *	1/2019	Harriton	D12/209
D904,271 S *	12/2020	Henderson	D12/209

* cited by examiner

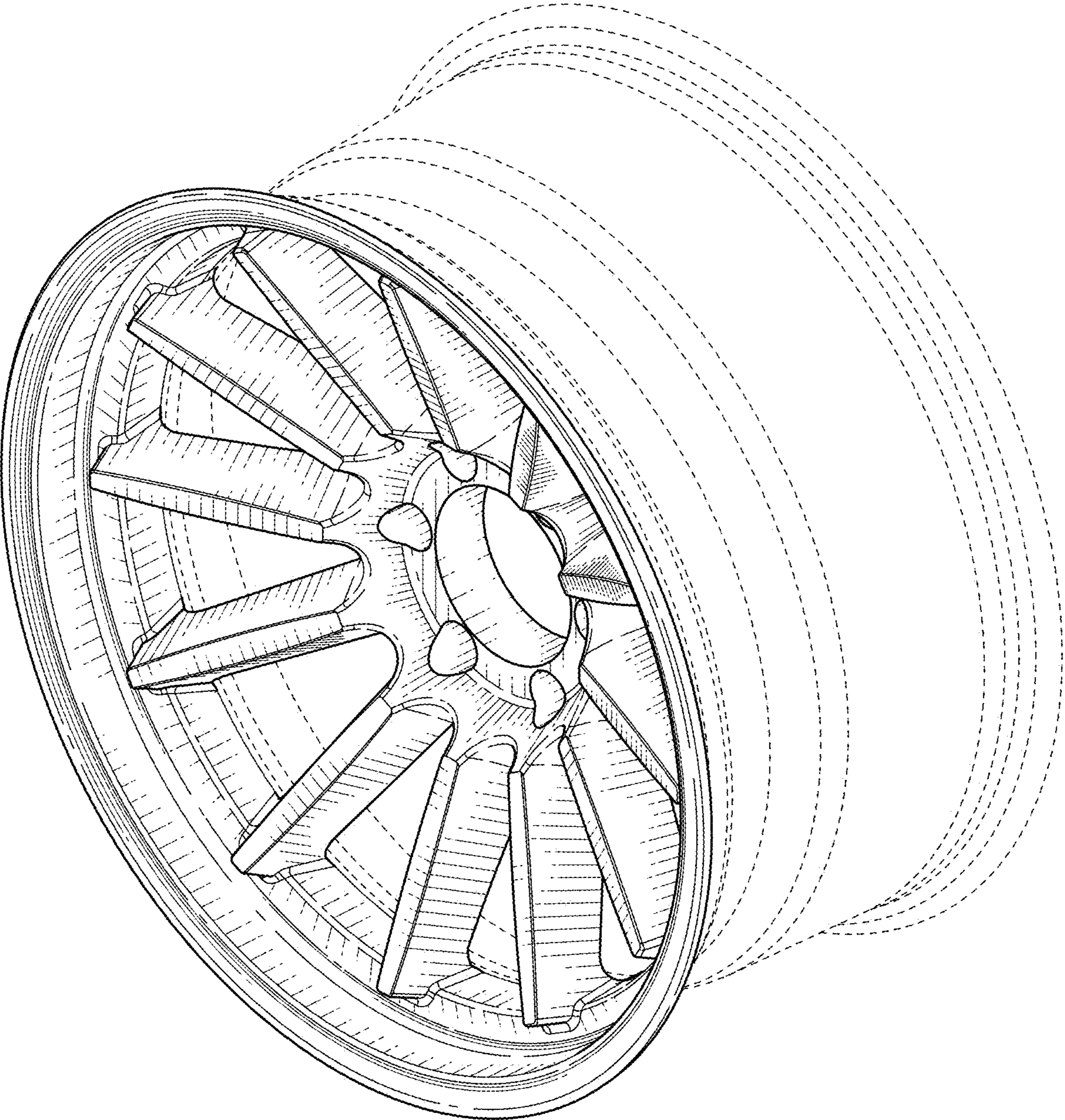


FIG. 1

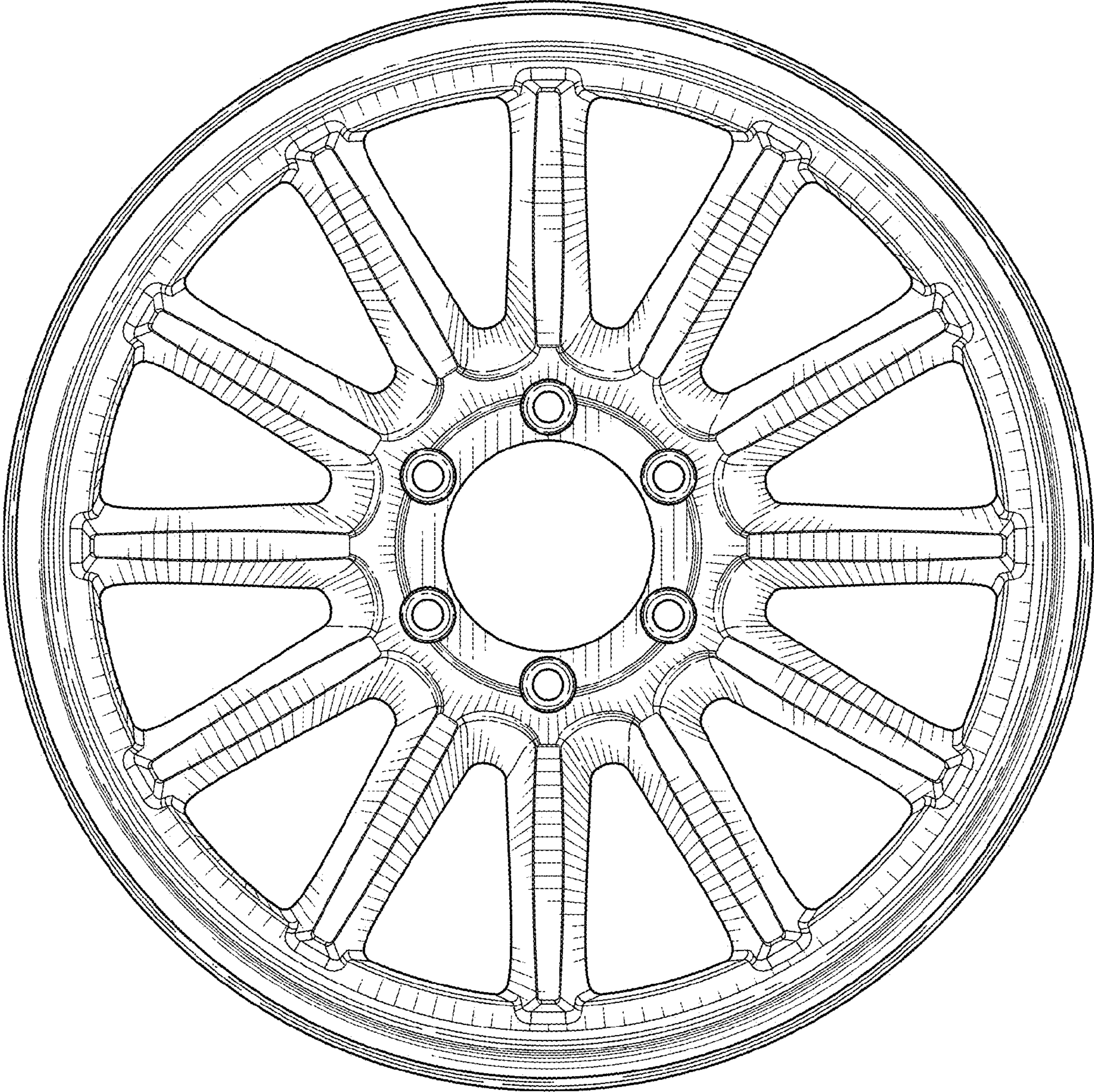


FIG. 2