



US00D915982S

(12) **United States Design Patent**
Piaskowski et al.

(10) **Patent No.:** **US D915,982 S**
(45) **Date of Patent:** **** Apr. 13, 2021**

- (54) **VEHICLE WHEEL**
- (71) Applicant: **Ford Global Technologies, LLC**,
Dearborn, MI (US)
- (72) Inventors: **Joel Piaskowski**, Birmingham, MI
(US); **Gordon Platto**, Troy, MI (US);
Dean Carbis, Bloomfield Hills, MI
(US); **Robert Laster**, Wixom, MI (US);
Mark Kaski, Royal Oak, MI (US)
- (73) Assignee: **Ford Global Technologies, LLC**,
Dearborn, MI (US)
- (**) Term: **15 Years**
- (21) Appl. No.: **29/730,082**
- (22) Filed: **Apr. 1, 2020**
- (51) **LOC (13) Cl.** **12-16**
- (52) **U.S. Cl.**
USPC **D12/209**
- (58) **Field of Classification Search**
USPC D12/204–213; D21/563
CPC B60B 7/00; B60B 7/02; B60B 7/04; B60B
7/01; B60B 7/06; B60B 3/02; B60B 3/04;
B60B 3/06; B60B 3/10; B60B 1/00;
B60B 1/08; B60B 1/10; B60B 1/12
See application file for complete search history.

D706,701 S	6/2014	Mays et al.	
D708,112 S	7/2014	Mays et al.	
D720,270 S	12/2014	Mays et al.	
D721,027 S	1/2015	Mays et al.	
D725,570 S	3/2015	Mays et al.	
D726,091 S	4/2015	Mays et al.	
D726,626 S	4/2015	Mays et al.	
D730,795 S	6/2015	Mays et al.	
D744,931 S	12/2015	Curic et al.	
D748,560 S *	2/2016	Simm	D12/211
D751,485 S *	3/2016	Chung	D12/209
D768,045 S	10/2016	Curic et al.	
D800,629 S *	10/2017	Tran	D12/209
D802,510 S *	11/2017	Groth	D12/209
D823,216 S *	7/2018	Chung	D12/209
D823,768 S *	7/2018	Chung	D12/209
D827,538 S	9/2018	Behmer et al.	
D827,539 S	9/2018	Behmer et al.	
D832,175 S *	10/2018	Chung	D12/209
D832,179 S	10/2018	Behmer et al.	
D838,650 S *	1/2019	Han	D12/209
D842,206 S *	3/2019	Rueckheim	D12/209
D845,855 S *	4/2019	Chung	D12/209
D856,248 S	8/2019	Behmer et al.	
D859,262 S *	9/2019	De Jung	D12/209
D863,180 S *	10/2019	Han	D12/209

(Continued)

Primary Examiner — Stacia A Cadmus
(74) *Attorney, Agent, or Firm* — Michael Spenner

(57) **CLAIM**

The ornamental design for a vehicle wheel, as shown and described.

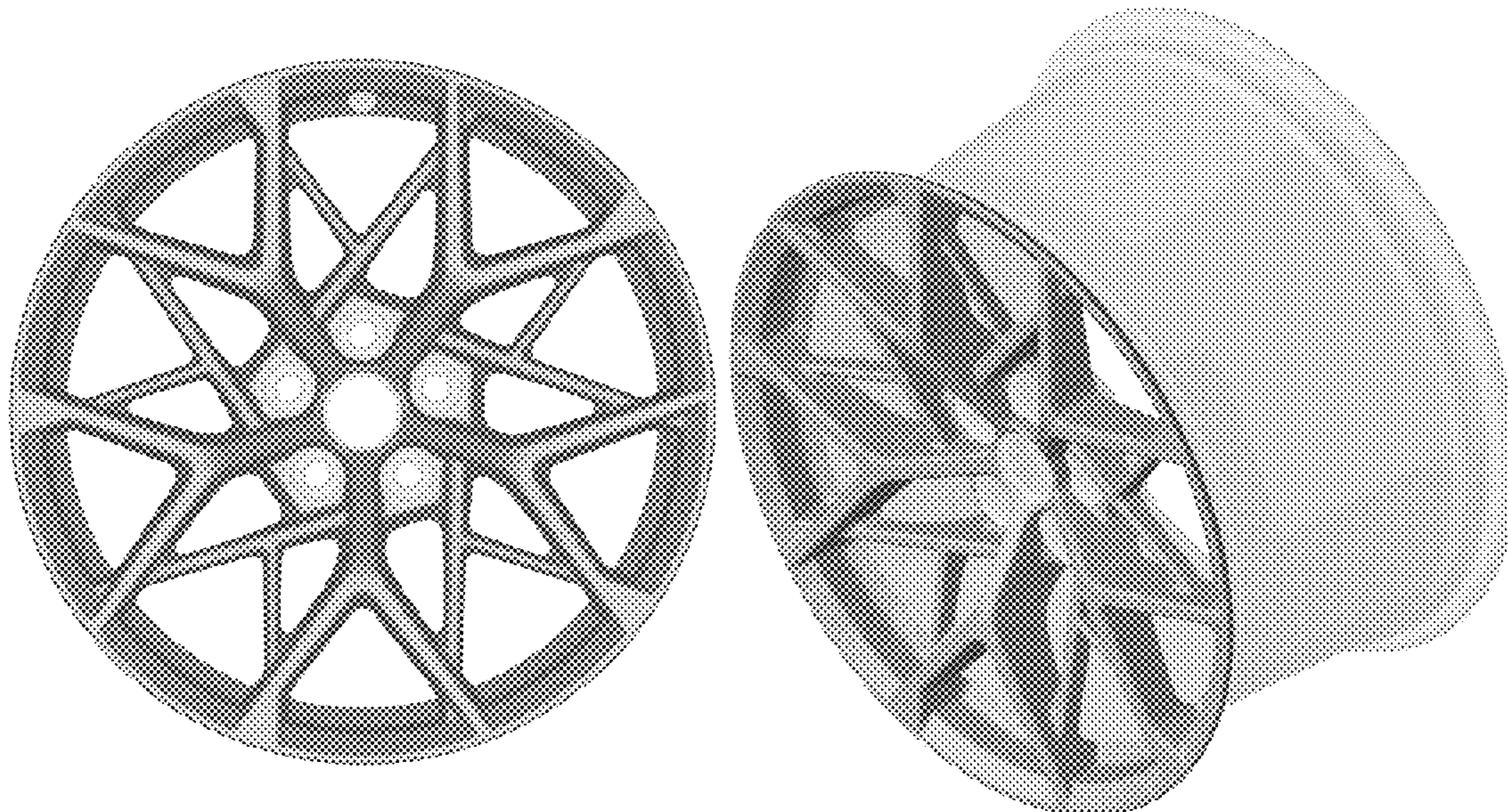
DESCRIPTION

FIG. 1 is a front elevational view of a vehicle wheel showing our new design; and, FIG. 2 is a perspective view thereof. The claimed design is indicated by the relatively dark portions in the figures. The de-emphasized and relatively light portions form no part of the claimed design.

1 Claim, 2 Drawing Sheets

(56) **References Cited**
U.S. PATENT DOCUMENTS

D528,061 S	9/2006	Baker et al.
D606,477 S	12/2009	Gelardi et al.
D673,094 S	12/2012	Behmer et al.
D673,095 S	12/2012	Behmer et al.
D673,101 S	12/2012	Behmer et al.
D673,102 S	12/2012	Behmer et al.
D691,541 S	10/2013	Behmer et al.
D694,693 S	12/2013	Behmer et al.



(56)

References Cited

U.S. PATENT DOCUMENTS

D863,181 S	*	10/2019	Han	D12/209
D867,964 S	*	11/2019	Selipanov	D12/209
D877,022 S	*	3/2020	Hahn	D12/209
D879,006 S		3/2020	Metros et al.	
D879,695 S	*	3/2020	Daniel	D12/209
D884,574 S	*	5/2020	Junghans	D12/209
D886,021 S	*	6/2020	Khachatryan	D12/209
D889,367 S	*	7/2020	Han	D12/209
D902,116 S	*	11/2020	Han	D12/209
D908,065 S	*	1/2021	Mukti	D12/209

* cited by examiner

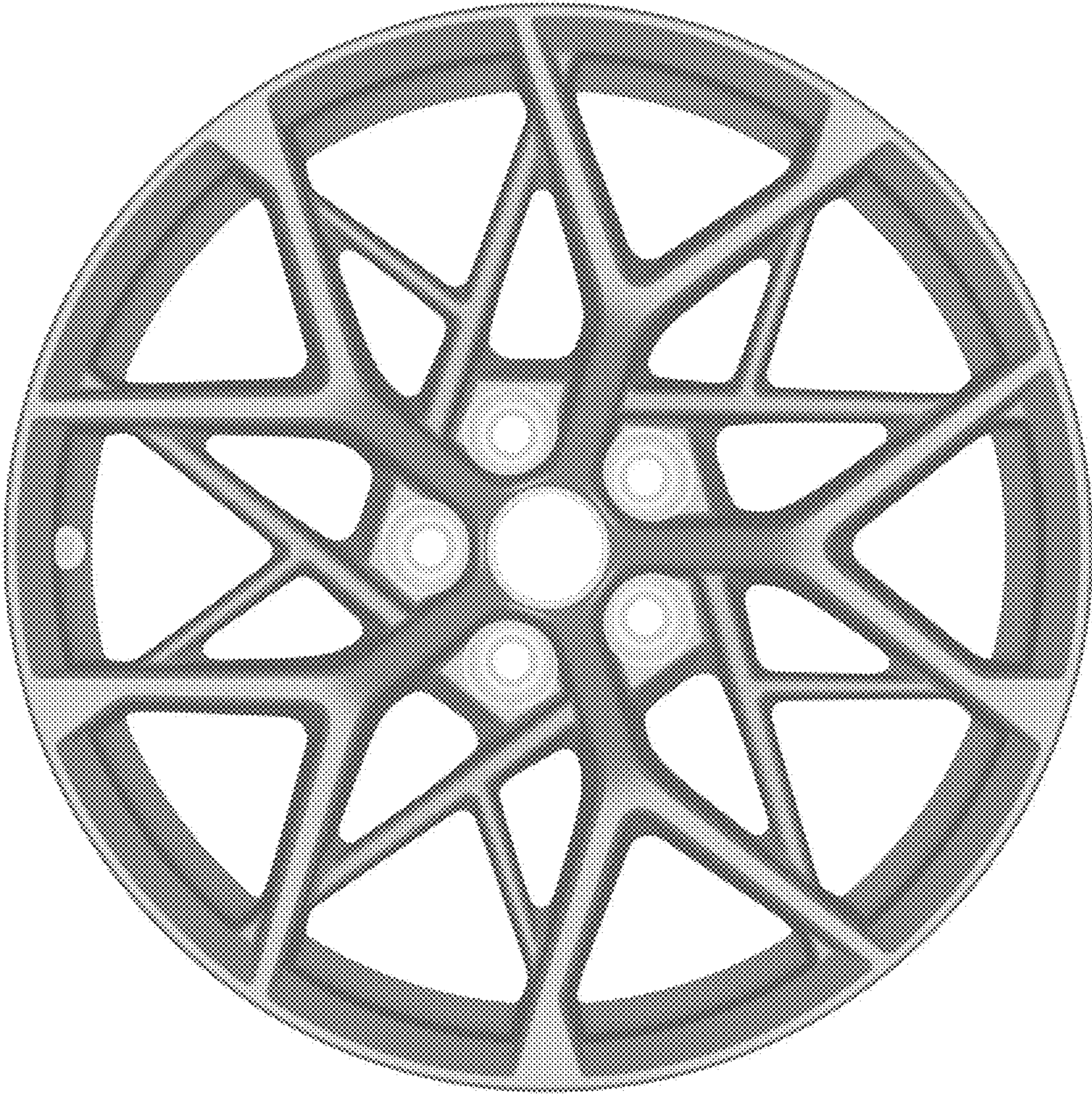


Fig. 1



Fig. 2