



US00D915974S

(12) **United States Design Patent**
McDowell

(10) **Patent No.:** **US D915,974 S**
(45) **Date of Patent:** **** Apr. 13, 2021**

(54) **PAIR OF VEHICLE SIDE STEPS**

(71) Applicant: **Polaris Industries Inc.**, Medina, MN
(US)

(72) Inventor: **Robert McDowell**, San Diego, CA
(US)

(73) Assignee: **Polaris Industries Inc.**, Medina, MN
(US)

(**) Term: **15 Years**

(21) Appl. No.: **29/705,198**

(22) Filed: **Sep. 10, 2019**

(51) **LOC (13) Cl.** **12-16**

(52) **U.S. Cl.**
USPC **D12/203**

(58) **Field of Classification Search**
USPC D12/203, 98, 314, 162, 190, 196
CPC .. B60R 3/02; B60R 3/00; B60R 3/002; B60R
3/005; B60R 3/007
See application file for complete search history.

(56) **References Cited**

U.S. PATENT DOCUMENTS

D342,476 S	*	12/1993	Beckett	D12/203
D395,267 S	*	6/1998	Thompson	D12/203
D400,149 S	*	10/1998	Zentner	D12/203
D400,151 S	*	10/1998	Zentner	D12/203
D400,485 S	*	11/1998	Zentner	D12/203
D400,486 S	*	11/1998	Zentner	D12/203
D473,178 S	*	4/2003	Schumacher	D12/203
D535,928 S	*	1/2007	Crandall	D12/203
D658,559 S	*	5/2012	Hodges	D12/203
D676,368 S	*	2/2013	Cover	D12/203
D731,384 S	*	6/2015	Farr	D12/203
D737,188 S	*	8/2015	Perkins	D12/203
D739,322 S	*	9/2015	Villareal	D12/203
D766,797 S	*	9/2016	Li	D12/203

(Continued)

Primary Examiner — Michelle E. Wilson

Assistant Examiner — Clese Moore, Jr.

(74) *Attorney, Agent, or Firm* — Harness, Dickey &
Pierce, P.L.C.

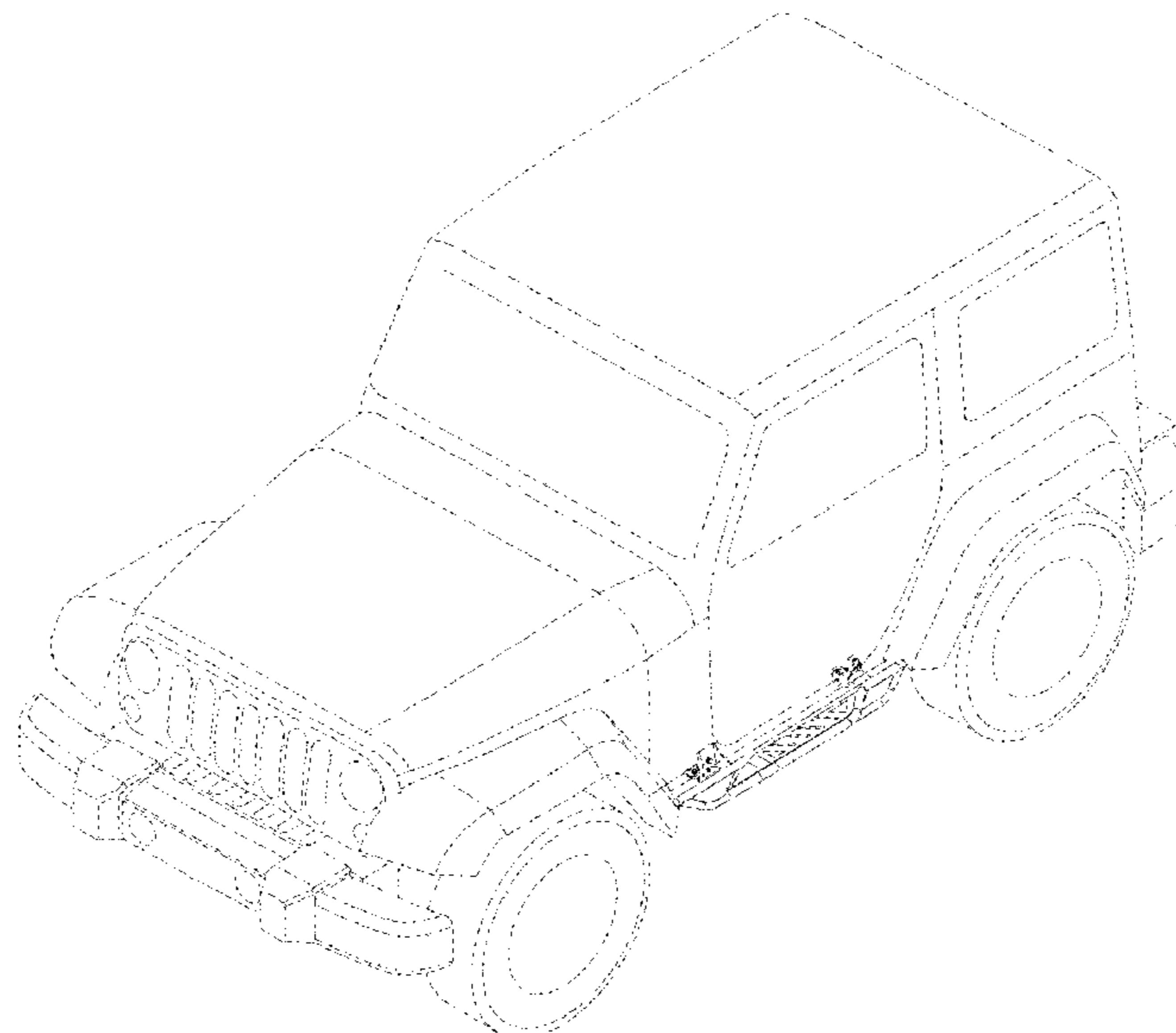
(57) **CLAIM**

The ornamental design for a pair of vehicle side steps, as shown and described.

DESCRIPTION

FIG. 1 is an environmental perspective view showing the left side for a pair of vehicle side steps shown in use;
 FIG. 2 is a perspective view of the side step of FIG. 1;
 FIG. 3 is a top side elevational view of the side step of FIG. 1;
 FIG. 4 is a bottom side elevational view of the side step of FIG. 1;
 FIG. 5 is a right side elevational view of the side step of FIG. 1;
 FIG. 6 is a front side elevational view of the side step of FIG. 1;
 FIG. 7 is a rear elevational view of the side step of FIG. 1.
 FIG. 8 is an environmental perspective view of a right side of a vehicle having a side step that is a mirror image of FIGS. 1-7;
 FIG. 9 is a perspective view of the side step of FIG. 8;
 FIG. 10 is a top side elevational view of the side step of FIG. 8;
 FIG. 11 is a bottom side elevational view of the side step of FIG. 8;
 FIG. 12 is a left side elevational view of the side step of FIG. 8;
 FIG. 13 is a rear side elevational view of the side step of FIG. 8; and,
 FIG. 14 is a front side elevational view of the side step of FIG. 8.
 The broken lines shown illustrate portions of the Article that form no part of the claimed design.

1 Claim, 8 Drawing Sheets



(56)

References Cited

U.S. PATENT DOCUMENTS

D789,857 S *	6/2017	Hare	D12/203
D789,858 S *	6/2017	Hare	D12/203
D805,986 S *	12/2017	Chi	D12/203
D807,804 S *	1/2018	Huang	D12/203
D809,446 S *	2/2018	Montoya	D12/203
D811,974 S *	3/2018	Guo	D12/203
D811,975 S *	3/2018	Guo	D12/203
D817,838 S *	5/2018	Dionisopoulos	D12/203
10,011,231 B1 *	7/2018	Wymore	B60R 3/002
D833,940 S *	11/2018	DiCanzio	D12/203
D843,908 S *	3/2019	Mosingo	D12/203
D847,716 S *	5/2019	Kim	D12/203

* cited by examiner

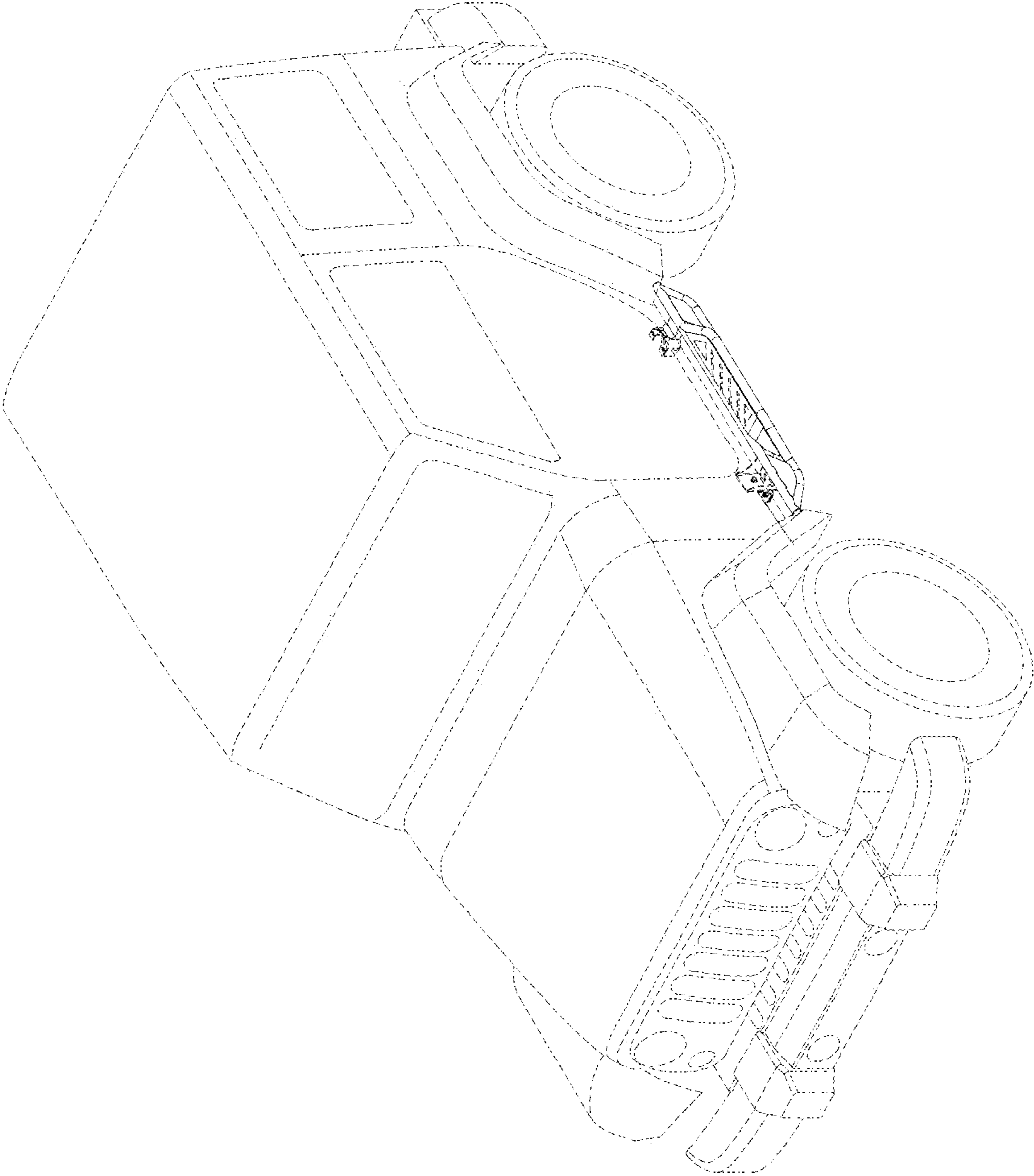


FIG. 1

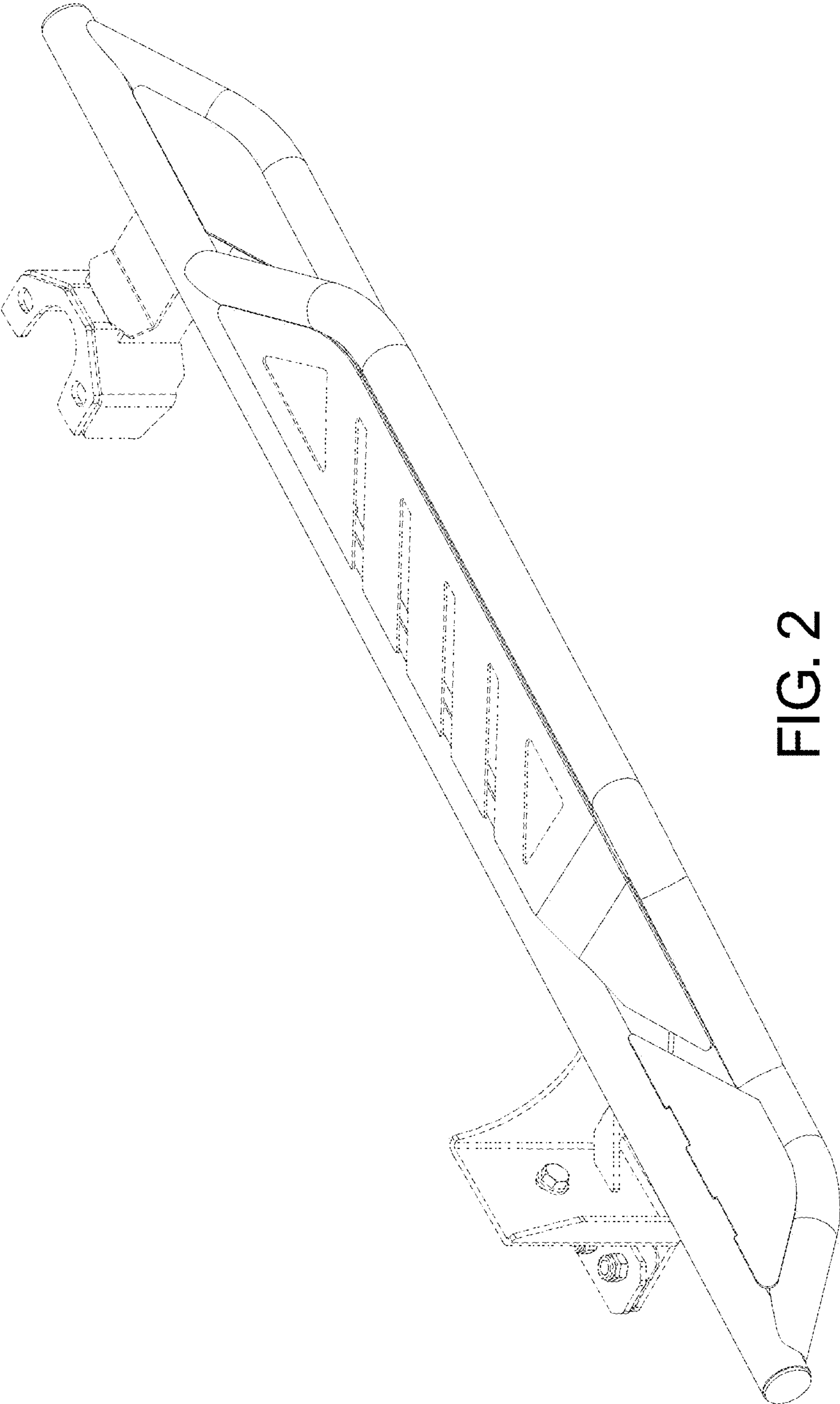


FIG. 2

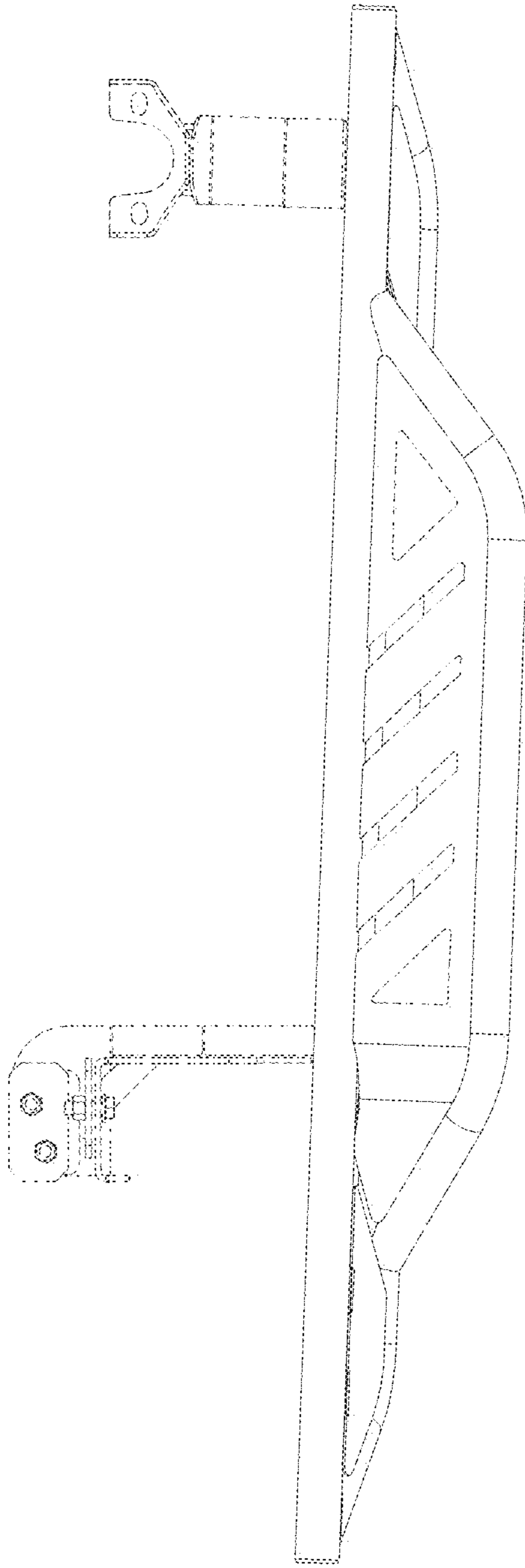


FIG. 3

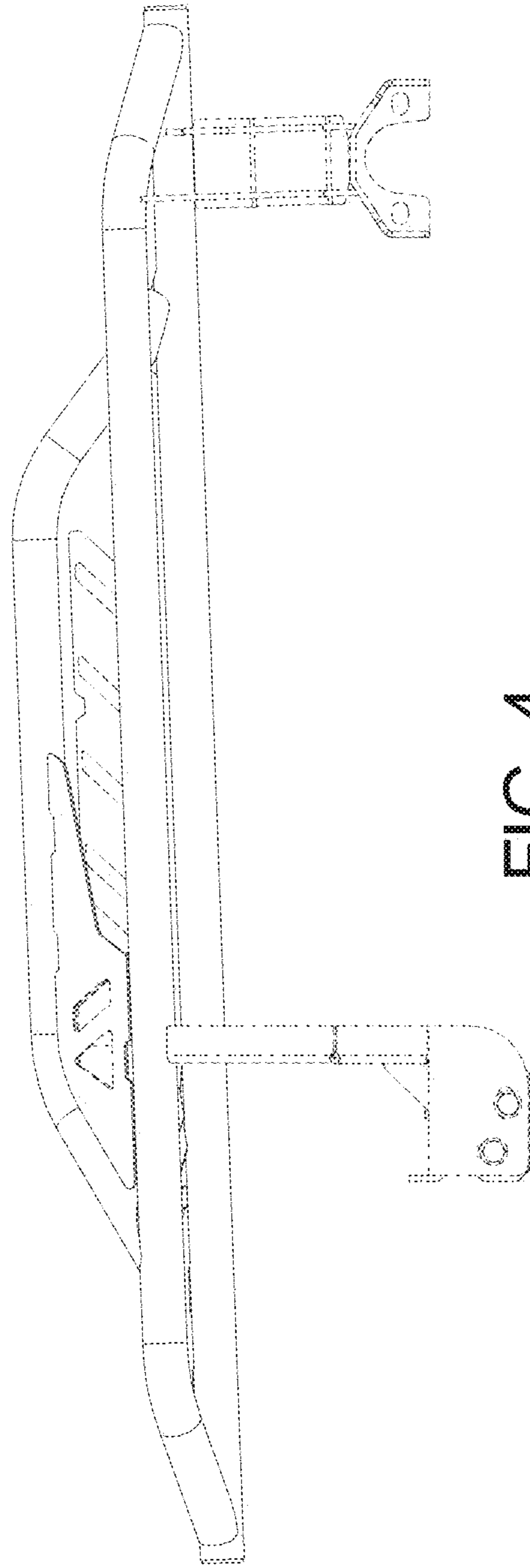


FIG. 4

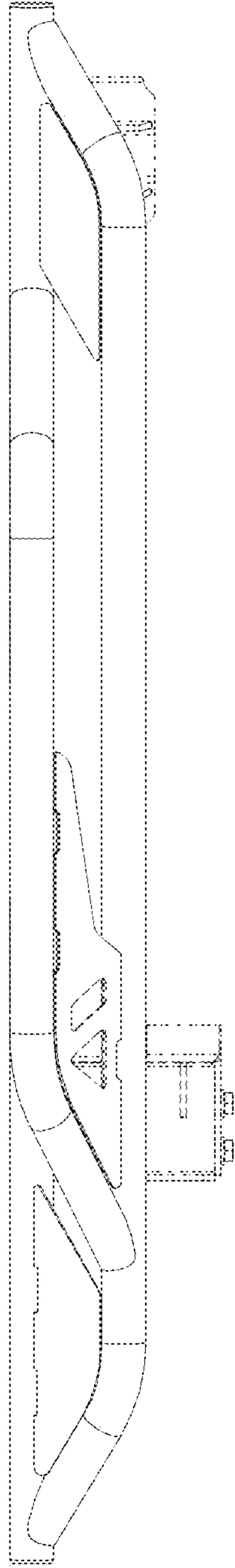


FIG. 5

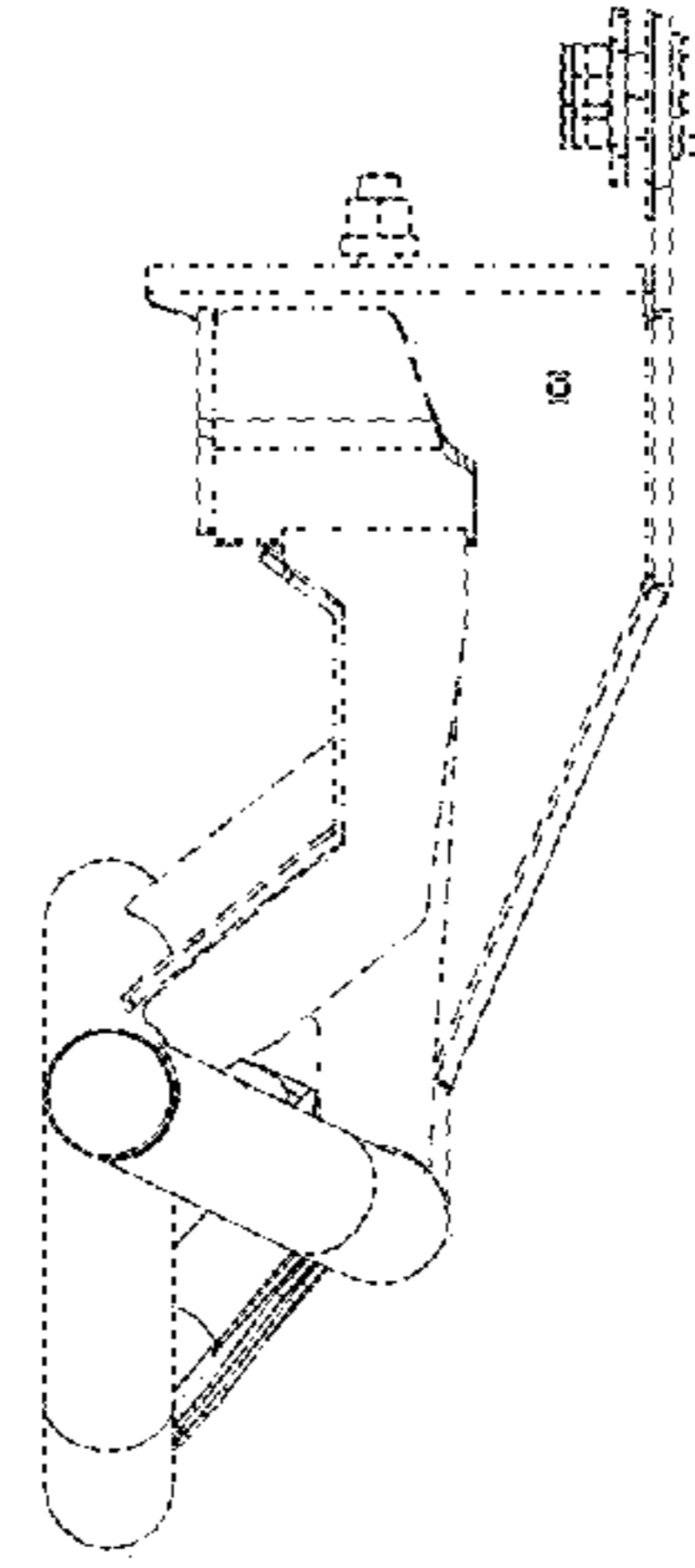


FIG. 6

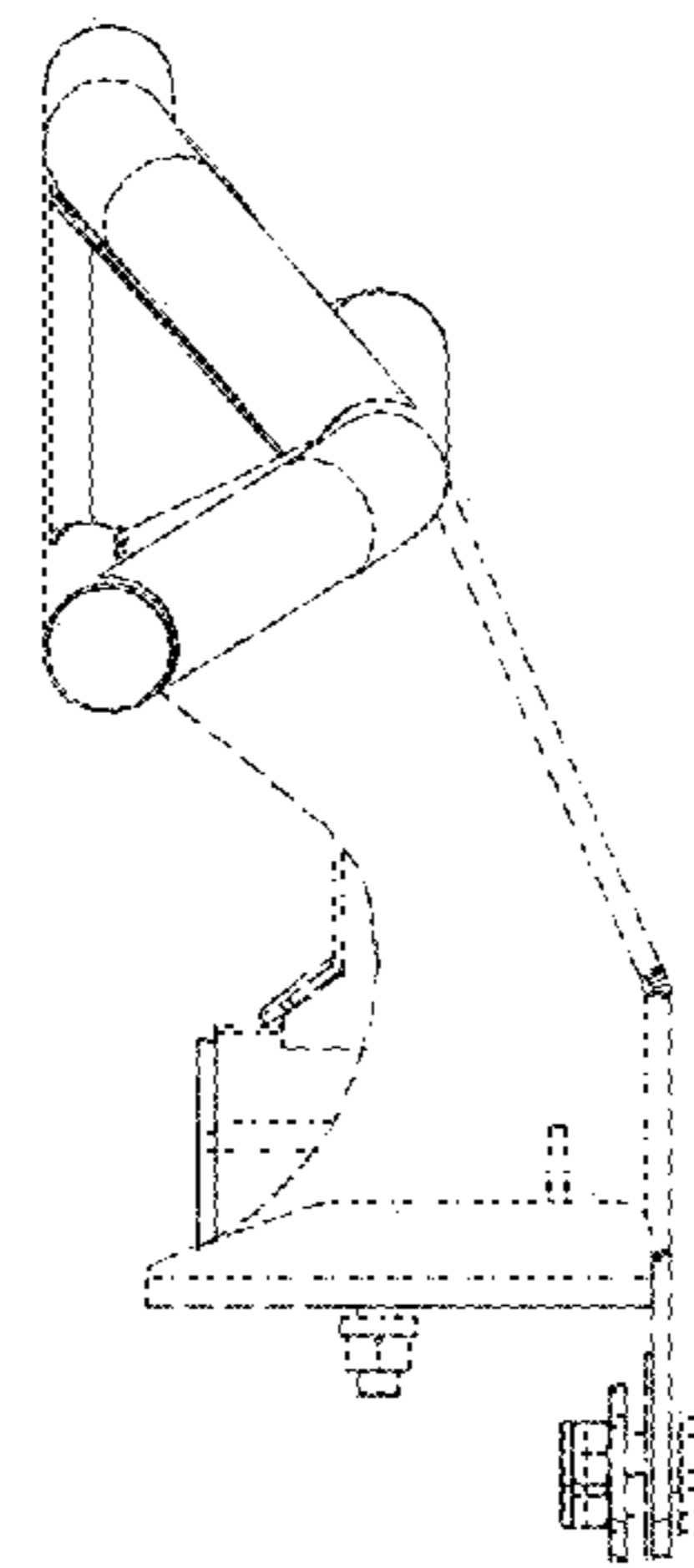


FIG. 7

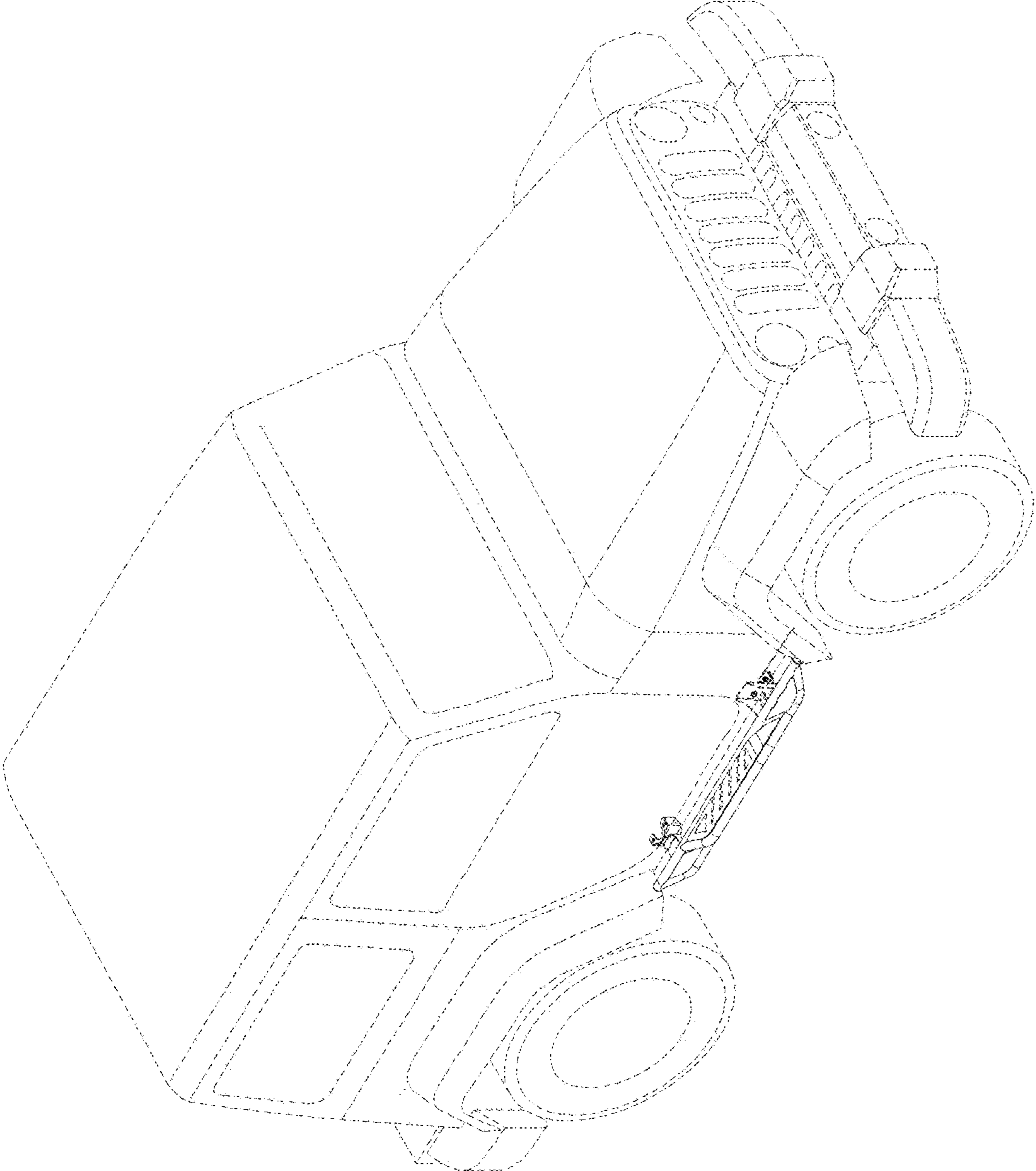


FIG. 8

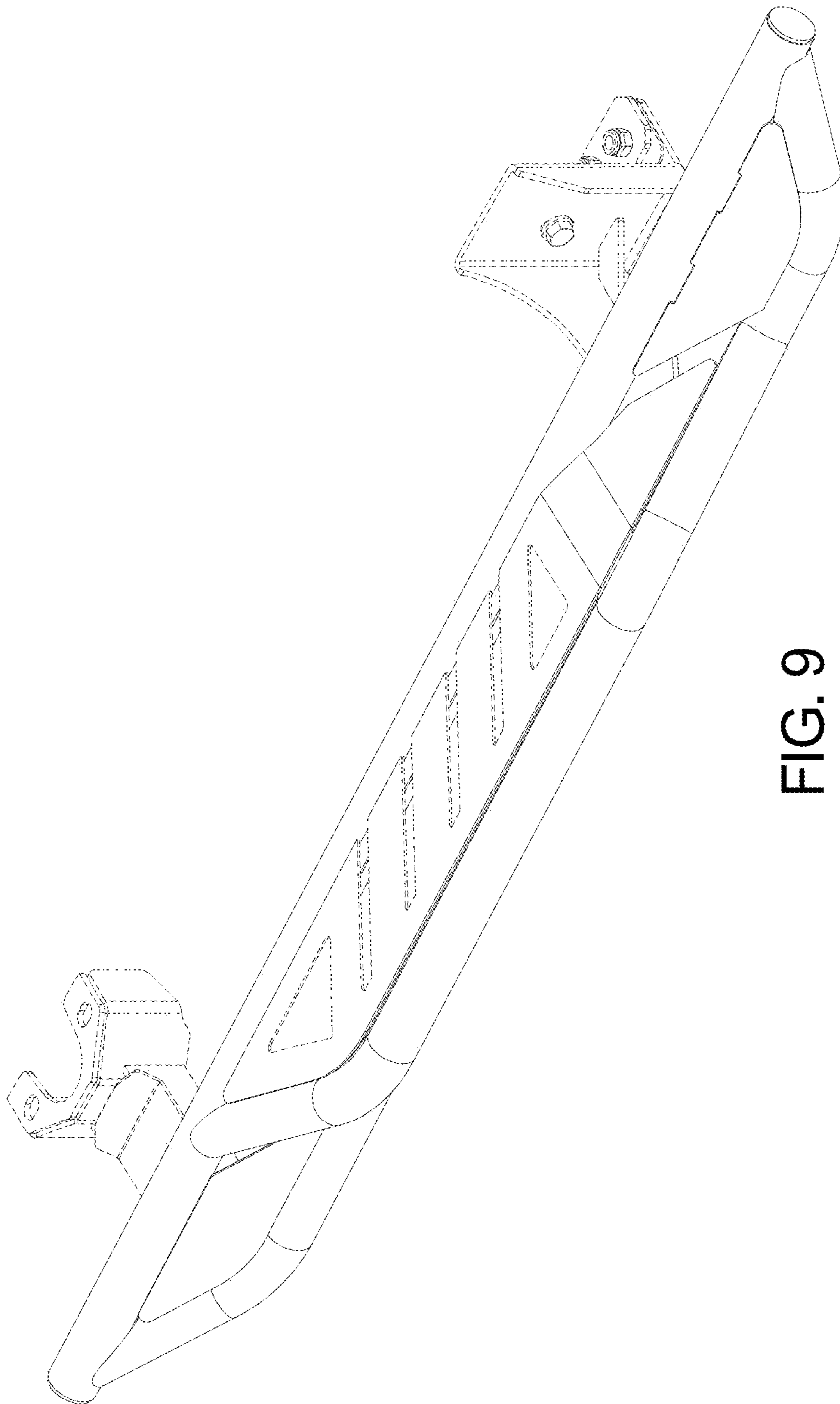


FIG. 9

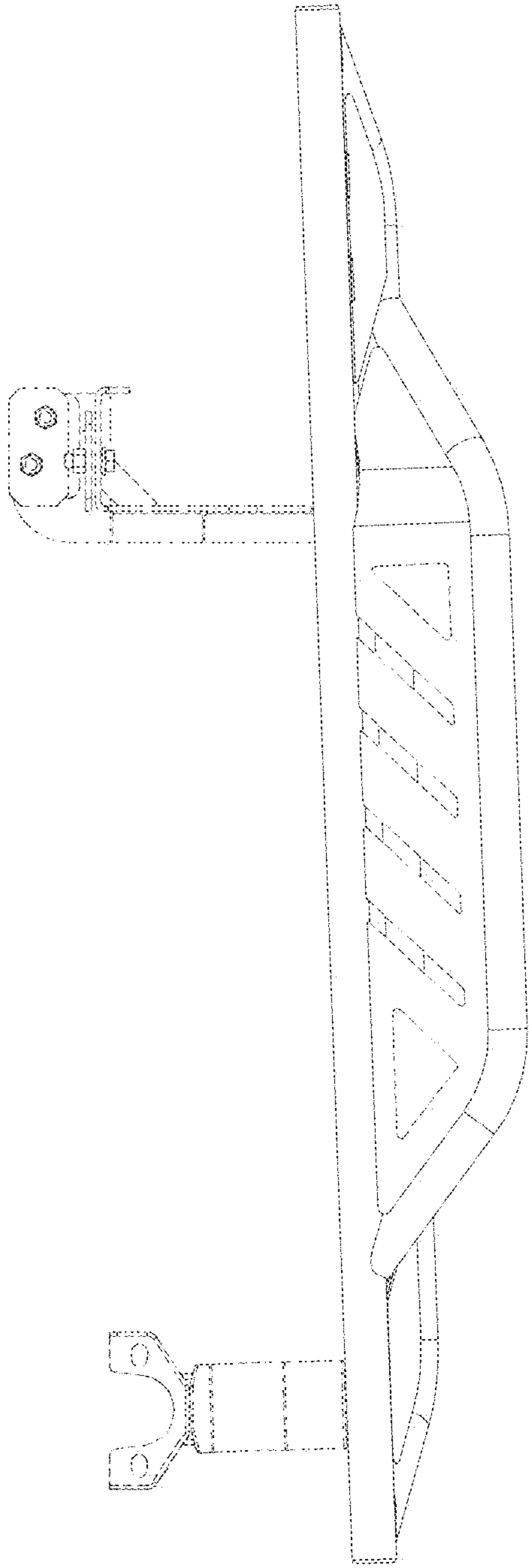


FIG. 10

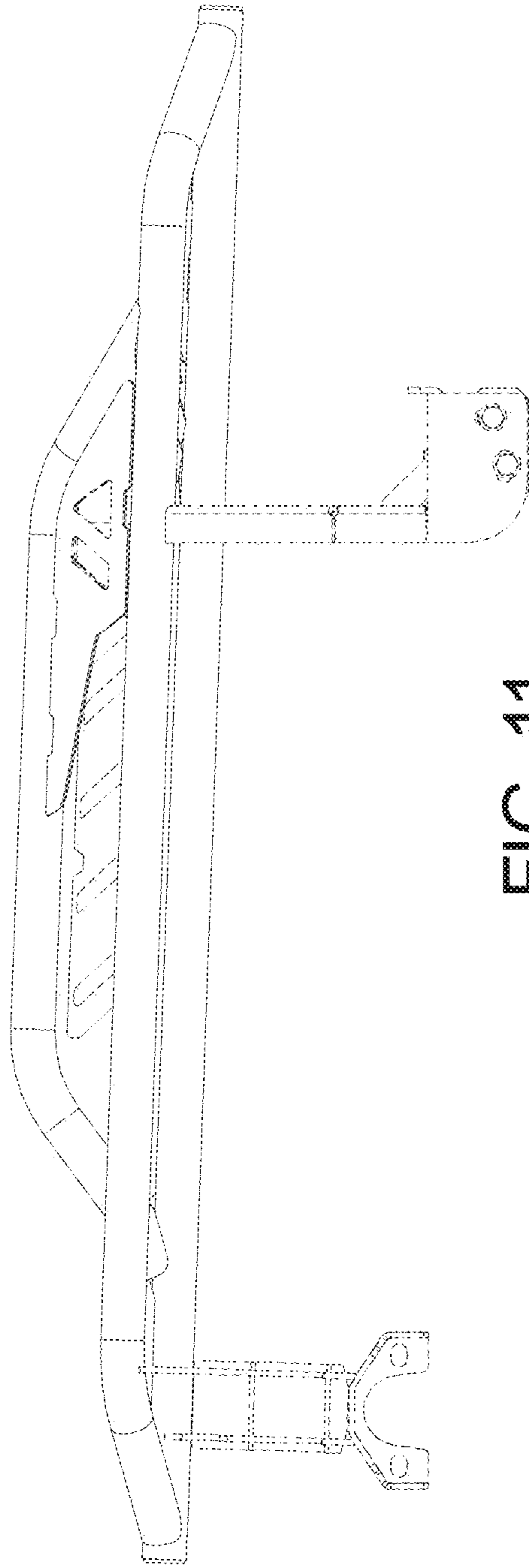


FIG. 11

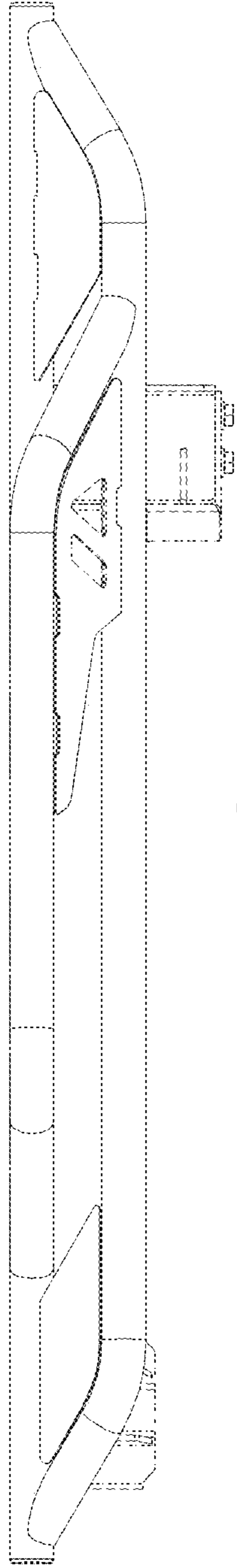


FIG. 12

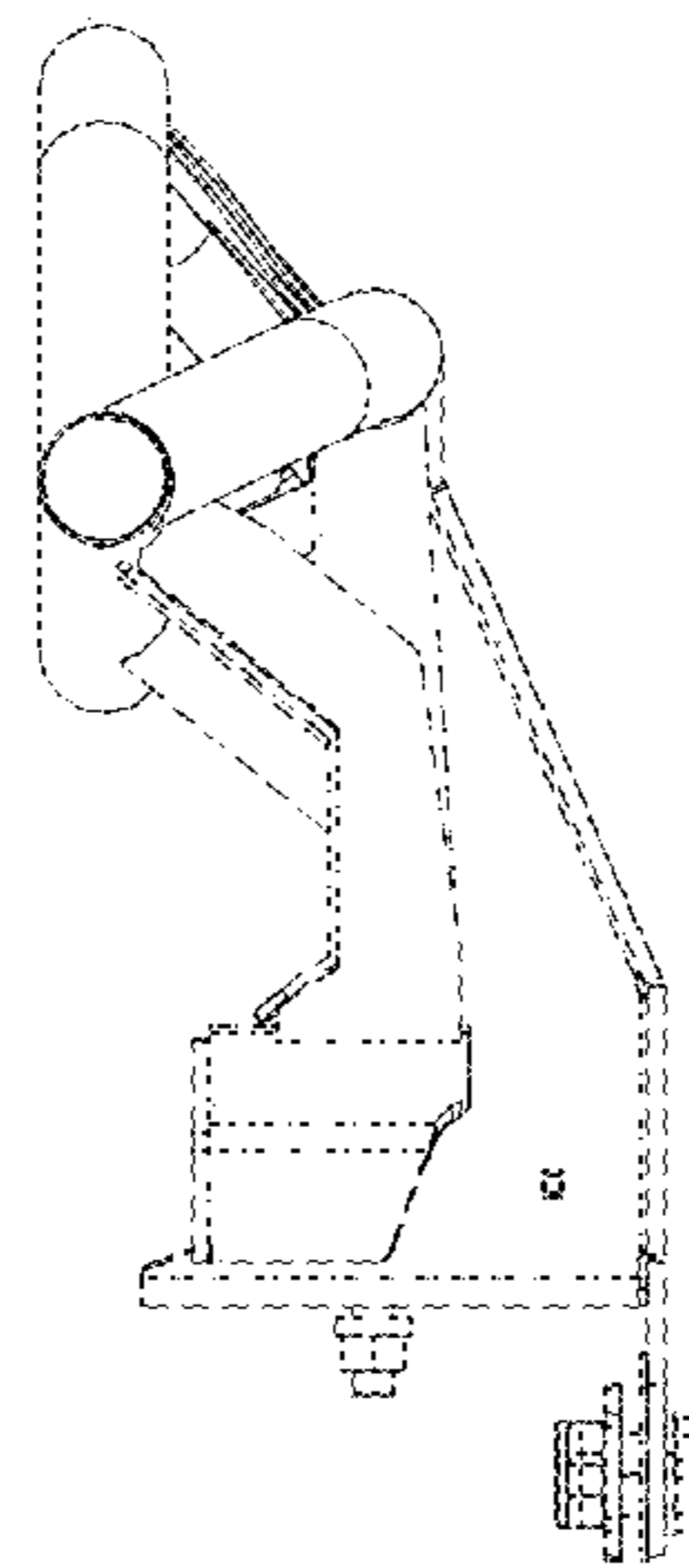


FIG. 13

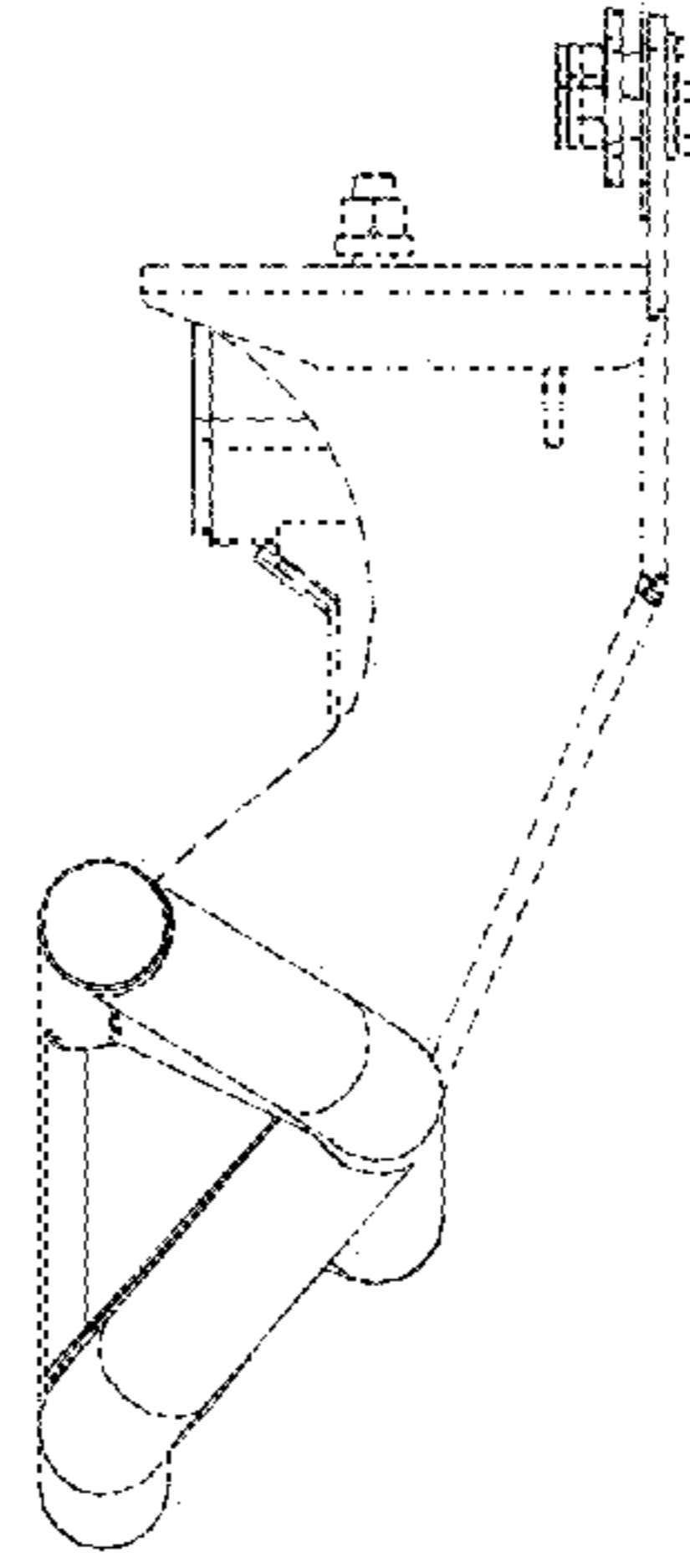


FIG. 14