



US00D915972S

(12) **United States Design Patent**
Kim et al.

(10) **Patent No.:** **US D915,972 S**
(45) **Date of Patent:** **** Apr. 13, 2021**

(54) **REAR DOOR PANEL FOR AN AUTOMOBILE**

(71) Applicants: **Hyundai Motor Company**, Seoul (KR); **Kia Motors Corporation**, Seoul (KR)

(72) Inventors: **Han Gyeol Kim**, Suwon-si (KR); **Hong Seok Choi**, Incheon (KR)

(73) Assignees: **Hyundai Motor Company**, Seoul (KR); **Kia Motors Corporation**, Seoul (KR)

(**) Term: **15 Years**

(21) Appl. No.: **35/508,319**

(22) Filed: **Jul. 10, 2019**

(80) **Hague Agreement Data**

Int. Filing Date: **Jul. 10, 2019**

Int. Reg. No.: **DM/204084**

Int. Reg. Date: **Jul. 10, 2019**

Int. Reg. Pub. Date: **Jan. 10, 2020**

(51) **LOC (13) Cl.** **12-16**

(52) **U.S. Cl.**
USPC **D12/196**

(58) **Field of Classification Search**
USPC D12/90, 91, 92, 184, 196
CPC B62D 24/00; B62D 24/02; B62D 25/02;
B62D 25/18; B62D 25/08; B62D 35/00;
B60J 5/04; B60R 19/02; B60R 19/04
See application file for complete search history.

(56) **References Cited**

U.S. PATENT DOCUMENTS

D489,305 S * 5/2004 Kim D12/196
D580,331 S * 11/2008 Gueler D12/196
D645,388 S * 9/2011 Kumai D12/196
D653,187 S * 1/2012 Tomatsu D12/196
D654,418 S * 2/2012 Hakamata D12/196

D671,471 S * 11/2012 Yamada D12/196
D678,154 S * 3/2013 Musk D12/196
D695,661 S * 12/2013 Asano D12/196
D699,654 S * 2/2014 Okue D12/196
D772,758 S * 11/2016 Frascella D12/92
D776,593 S * 1/2017 Schneider D12/196
D779,407 S * 2/2017 Bae D12/196
D785,530 S * 5/2017 Kyung D12/196
D801,247 S * 10/2017 Lee D12/196
D822,567 S * 7/2018 Simm D12/196
D833,938 S * 11/2018 Lee D12/196
D836,516 S * 12/2018 Tomasson D12/196
D859,255 S * 9/2019 Lee D12/196
D875,011 S * 2/2020 Choi D12/196
D892,695 S * 8/2020 Oh D12/196
D892,697 S * 8/2020 Kim D12/196
D904,266 S * 12/2020 Battams D12/196
2012/0272578 A1 * 11/2012 Ellinghaus E05D 15/101
49/358
2013/0341961 A1 * 12/2013 Mori B60R 13/04
296/146.2

(Continued)

Primary Examiner — Darlington Ly

(74) *Attorney, Agent, or Firm* — Mintz Levin Cohn Ferris Glovsky and Popeo, P.C.; Peter F. Corless; Carolina E. Säve

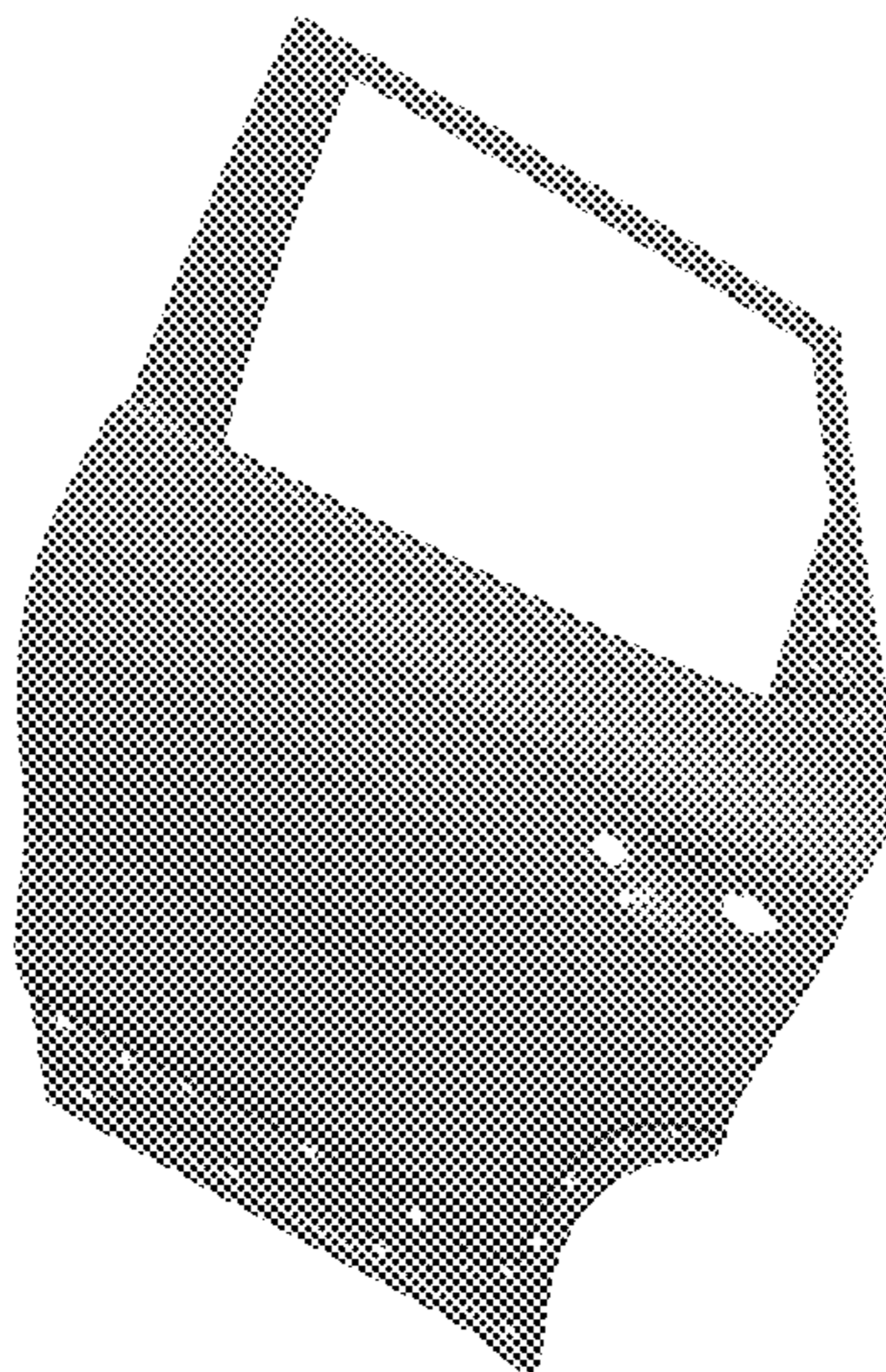
(57) **CLAIM**

The ornamental design for a rear door panel for an automobile, as shown and described.

DESCRIPTION

1. Rear door panel for an automobile
1.1 is a front perspective view of a rear door panel for an automobile embodying our new design;
1.2 is a front elevation view thereof;
1.3 is a rear elevation view thereof;
1.4 is a left side elevation view thereof;
1.5 is a right side elevation view thereof;
1.6 is a top plan view thereof;
1.7 is a bottom plan view thereof; and
1.8 is a rear perspective view thereof.

1 Claim, 8 Drawing Sheets



(56)

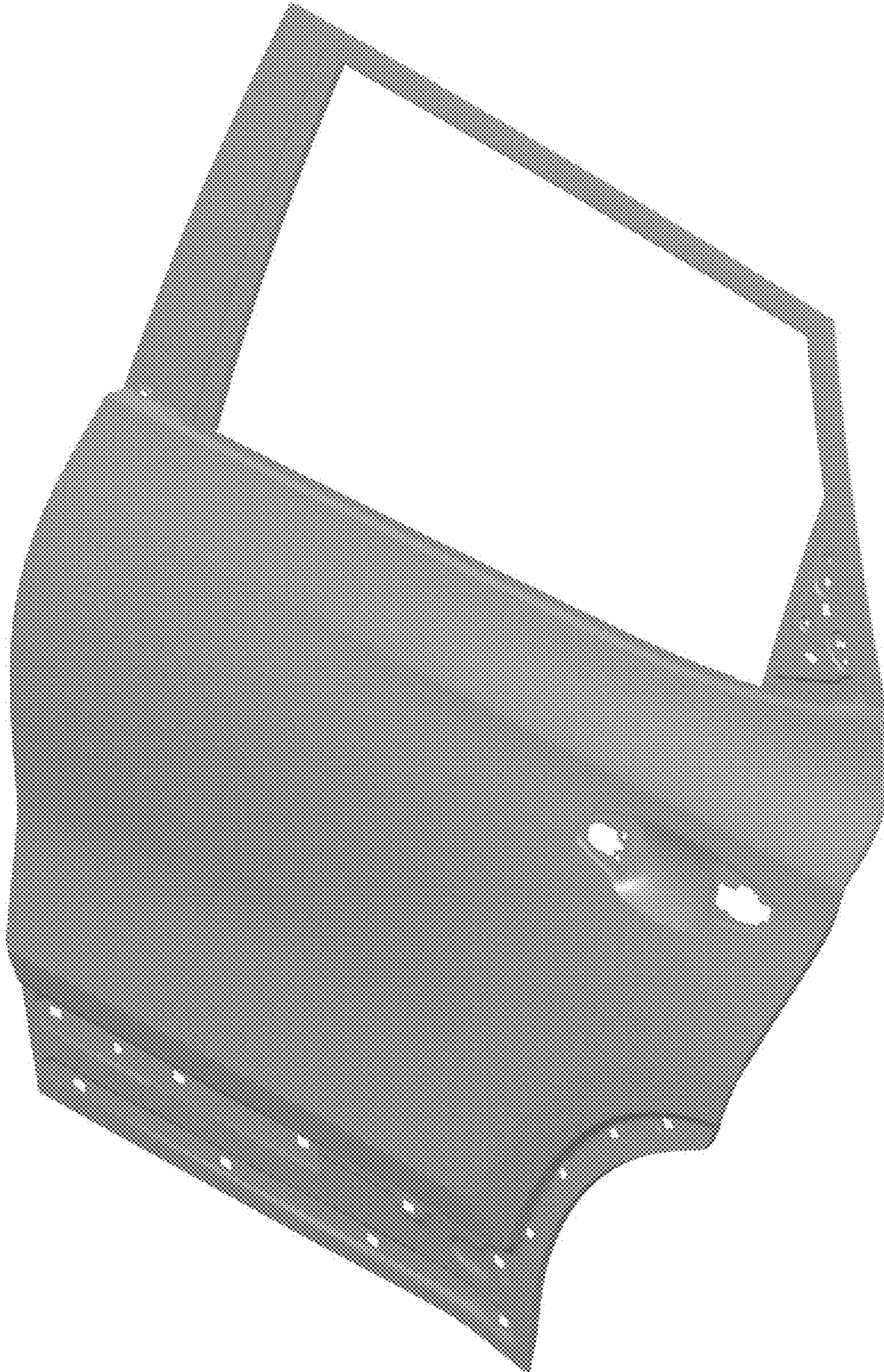
References Cited

U.S. PATENT DOCUMENTS

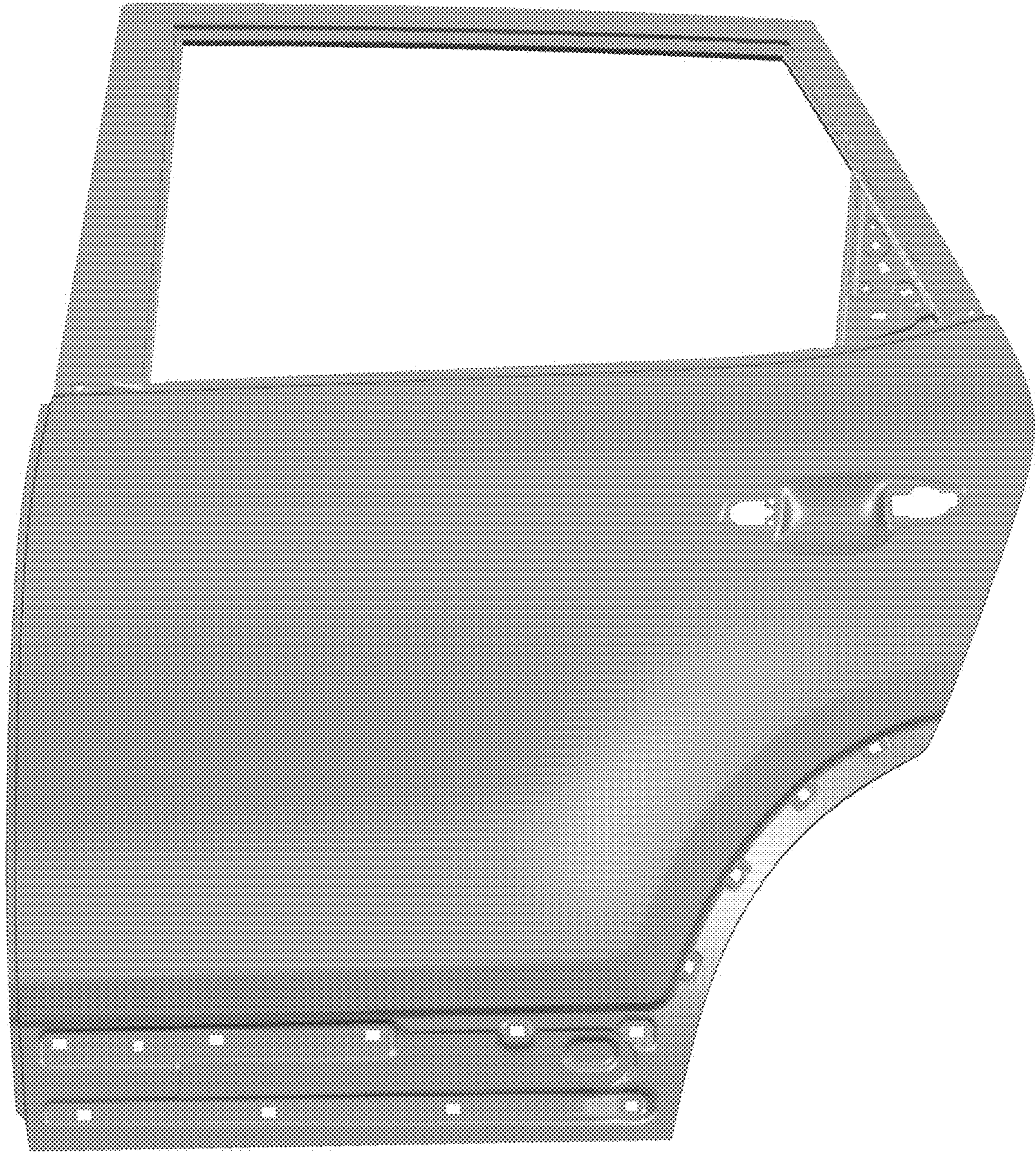
2014/0132025 A1* 5/2014 Usami B60J 1/2063
296/97.8
2015/0035310 A1* 2/2015 Yamaguchi B60R 13/0206
296/153

* cited by examiner

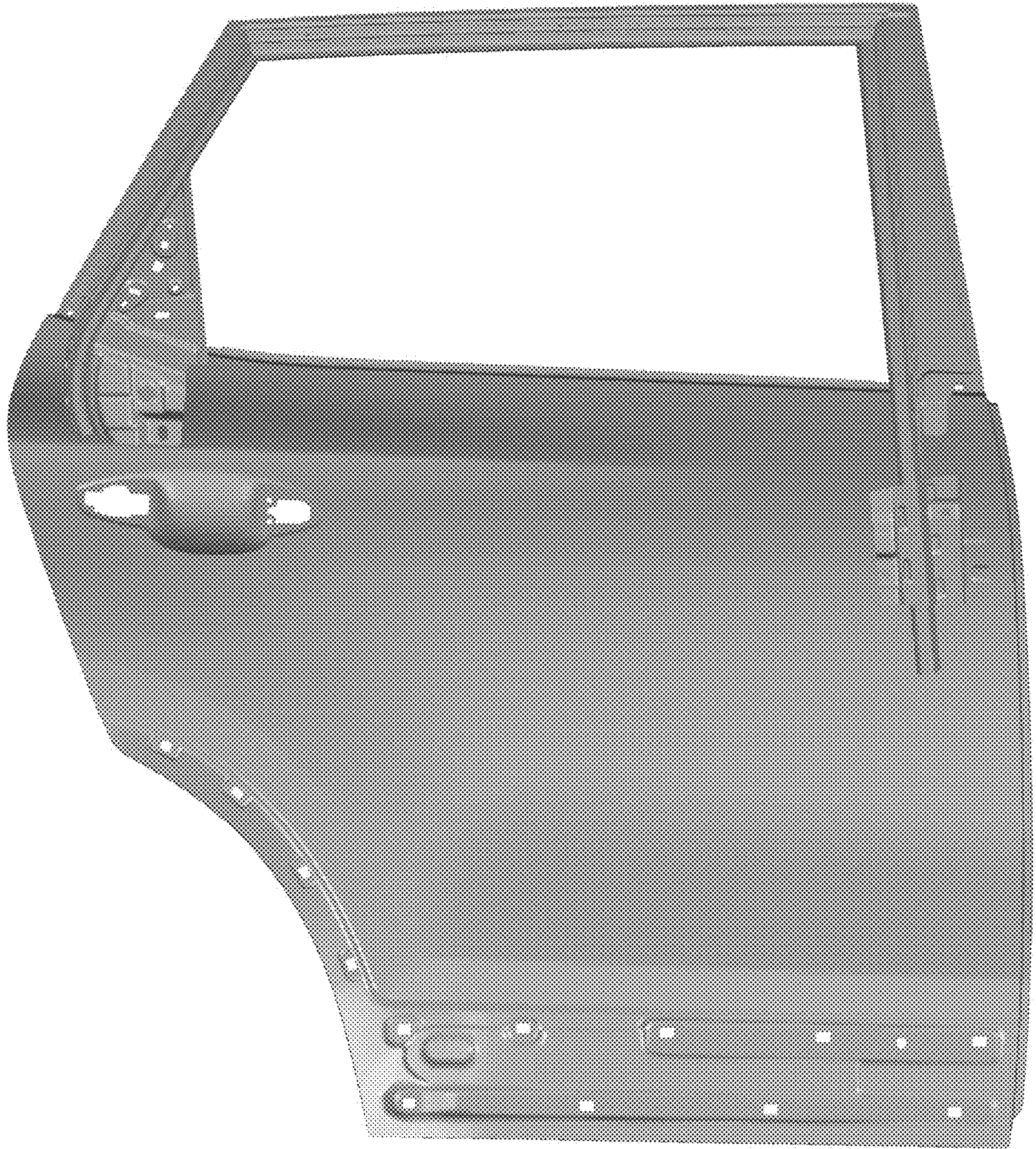
1.1



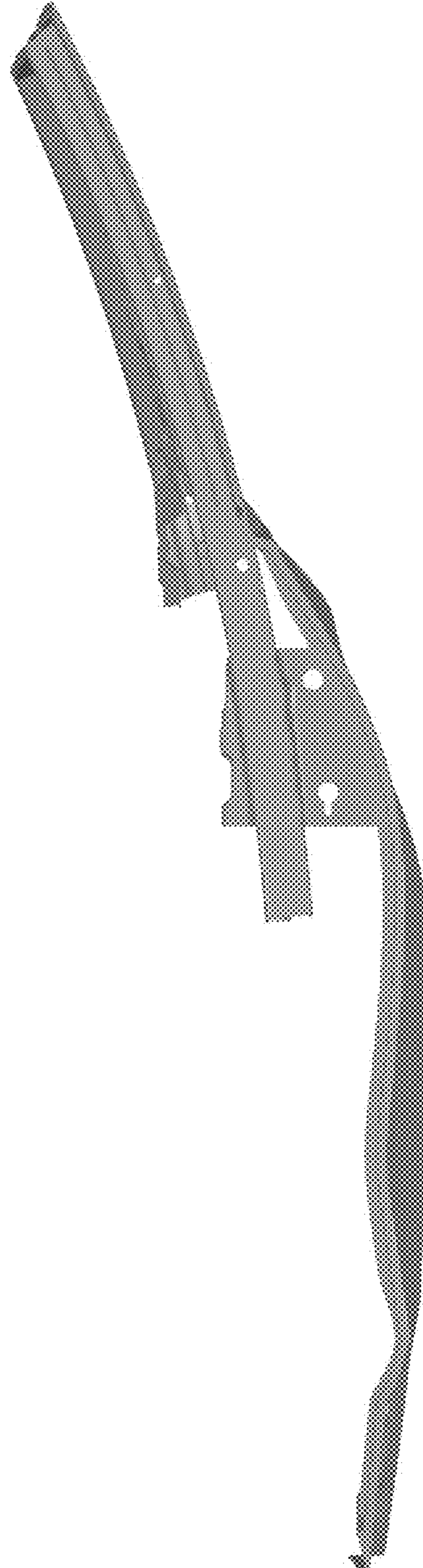
1.2



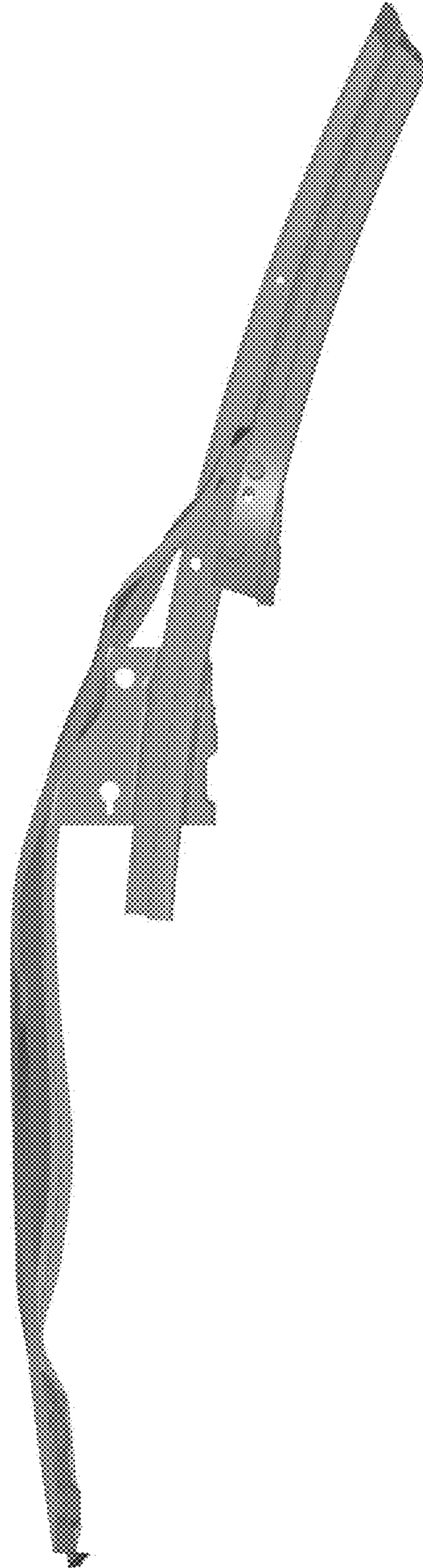
1.3



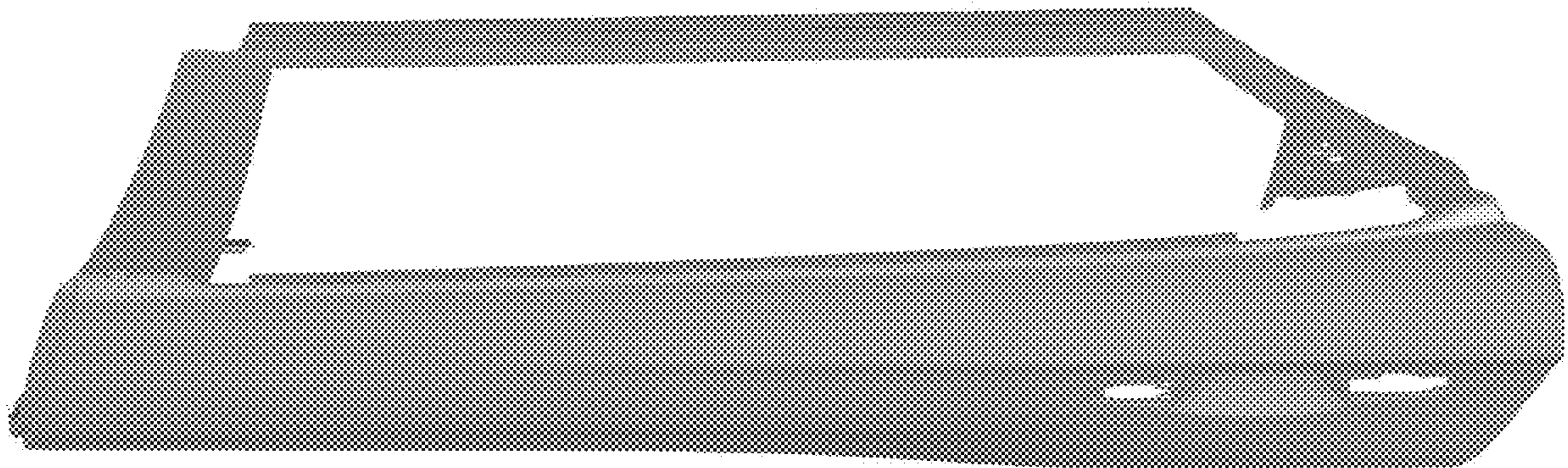
1.4



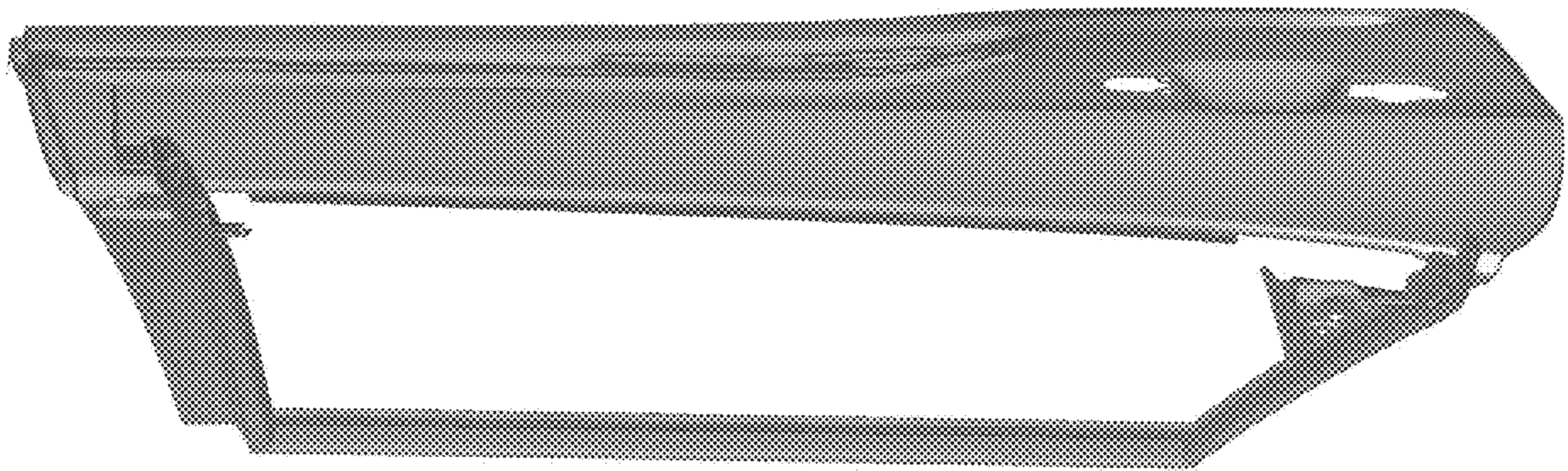
1.5



1.6



1.7



1.8

