



US00D915971S

(12) **United States Design Patent** (10) **Patent No.:** **US D915,971 S**
Jung et al. (45) **Date of Patent:** **** Apr. 13, 2021**

(54) **TAILGATE PANEL FOR AN AUTOMOBILE**
(71) Applicants: **Hyundai Motor Company**, Seoul (KR); **Kia Motors Corporation**, Seoul (KR)
(72) Inventors: **Yun Hee Jung**, Yongin-si (KR); **Hong Seok Choi**, Incheon (KR)
(73) Assignees: **Hyundai Motor Company**, Seoul (KR); **Kia Motors Corporation**, Seoul (KR)

D751,014 S * 3/2016 Wolff D12/196
D764,995 S * 8/2016 Bucher D12/196
D783,482 S * 4/2017 Smith D12/196
D805,985 S * 12/2017 Nakamura D12/196
9,834,072 B1 * 12/2017 Alvarez Ruiz B60J 5/101
D811,302 S * 2/2018 Piscitelli D12/196
D816,003 S * 4/2018 Perkins D12/184
D820,183 S * 6/2018 Gueler D12/196
D823,763 S * 7/2018 Koo D12/196
D839,163 S * 1/2019 Pinazzo D12/196
10,189,337 B2 * 1/2019 Kuntze B60J 5/107
10,384,520 B2 * 8/2019 Kuntze B62D 29/043
10,422,174 B2 * 9/2019 Felix Frias B60J 1/004
D864,822 S * 10/2019 Kim D12/196
D883,885 S * 5/2020 Metros D12/196
D897,919 S * 10/2020 Choi D12/196

(**) Term: **15 Years**

(21) Appl. No.: **35/508,316**

* cited by examiner

(22) Filed: **Jul. 10, 2019**

Primary Examiner — Darlington Ly

(80) **Hague Agreement Data**

(74) *Attorney, Agent, or Firm* — Mintz Levin Cohn Ferris Glovsky and Popeo, P.C.; Peter F. Corless; Carolina E. Säve

Int. Filing Date: **Jul. 10, 2019**
Int. Reg. No.: **DM/203825**
Int. Reg. Date: **Jul. 10, 2019**
Int. Reg. Pub. Date: **Jan. 10, 2020**

(51) **LOC (13) Cl.** **12-16**
(52) **U.S. Cl.**
USPC **D12/196**

(57) **CLAIM**

The ornamental design for a tailgate panel for an automobile, as shown and described.

(58) **Field of Classification Search**
USPC D12/86, 90–92, 163, 169, 171, 196, 216
CPC B60R 19/02; B60R 19/03; B60R 19/04; B62D 25/08; B62D 25/12; B60J 5/10; B60J 5/101; B60J 5/102; B60J 5/103; B60J 5/107
See application file for complete search history.

DESCRIPTION

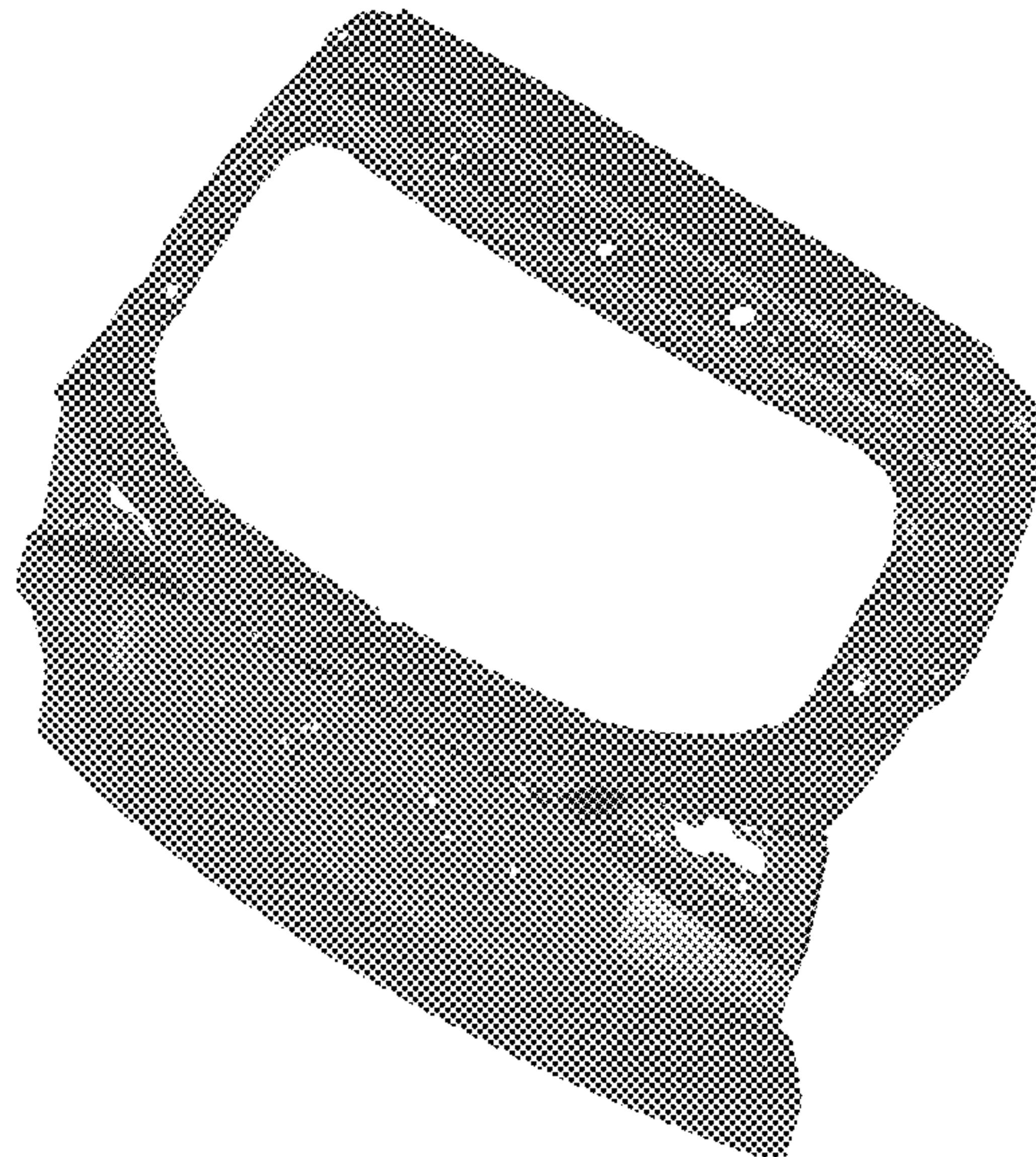
1. Tailgate panel for an automobile
1.1 is a perspective view of a tailgate panel for an automobile embodying our new design;
1.2 is a front elevation view thereof;
1.3 is a rear elevation view thereof;
1.4 is a left side elevation view thereof;
1.5 is a right side elevation view thereof;
1.6 is a top plan view thereof; and
1.7 is a bottom plan view thereof.

(56) **References Cited**

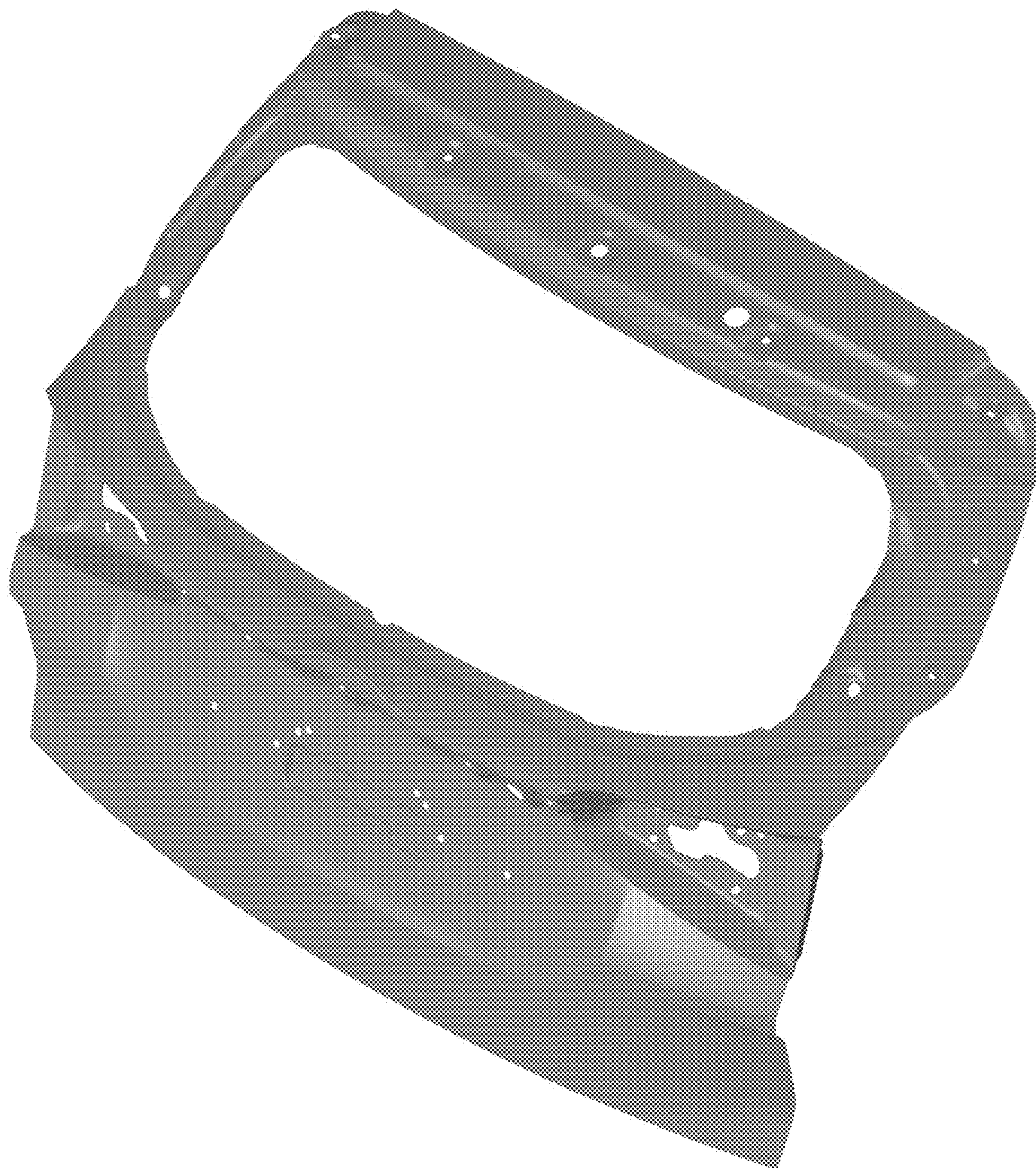
U.S. PATENT DOCUMENTS

7,832,791 B2 * 11/2010 Wojcik B60S 1/0402 296/146.8
8,985,675 B1 * 3/2015 Gangal B60J 5/101 296/146.8

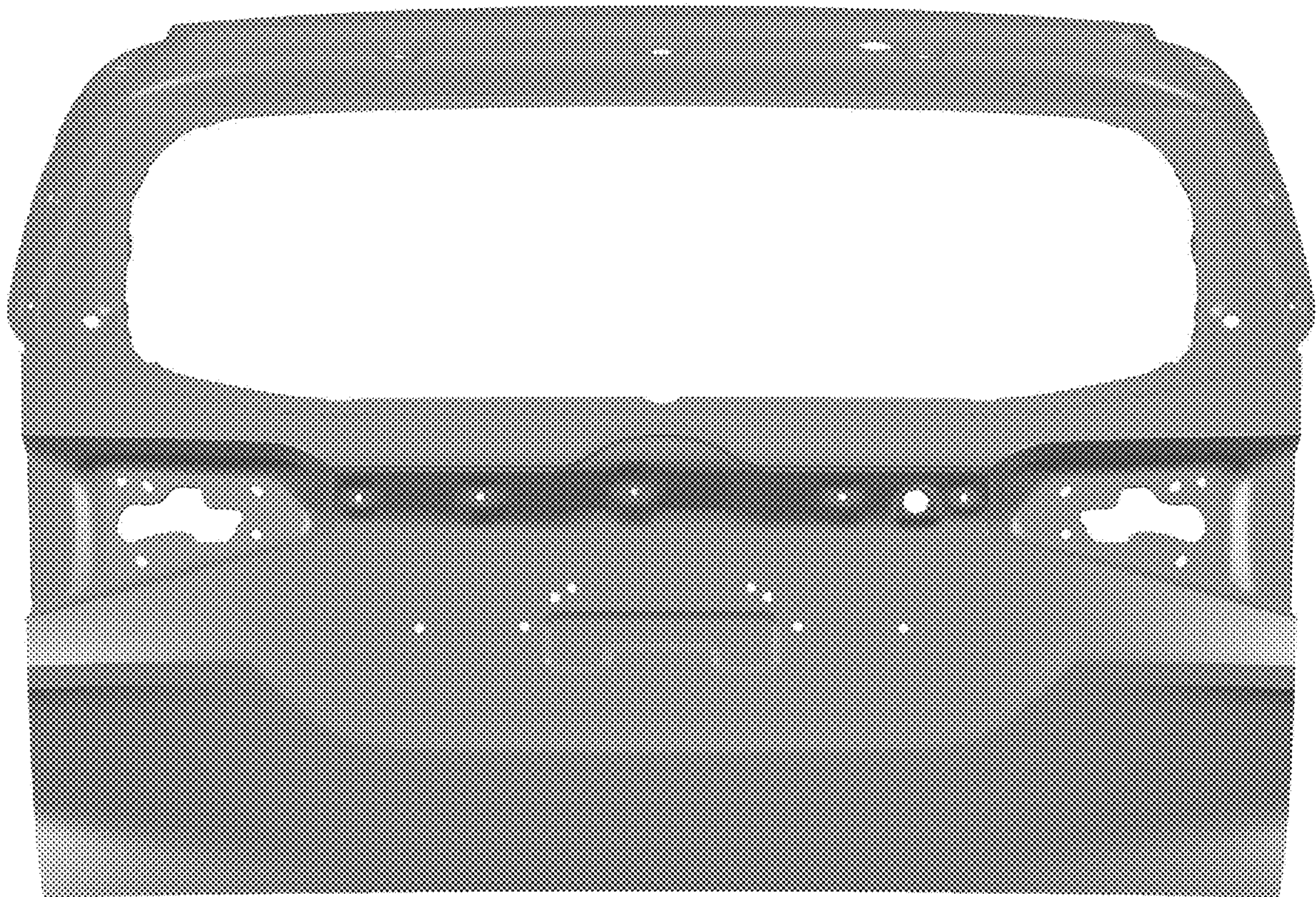
1 Claim, 7 Drawing Sheets



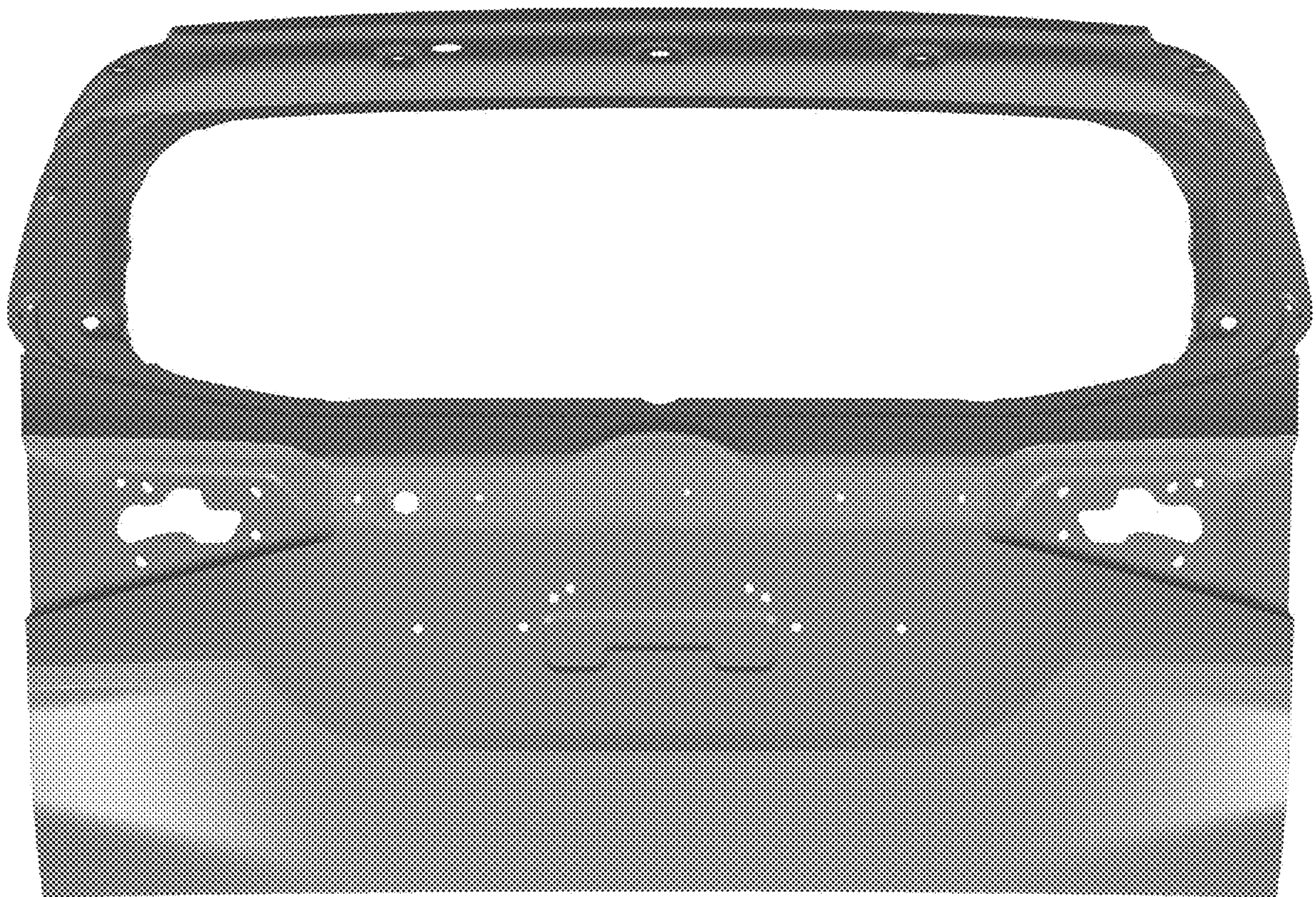
1.1



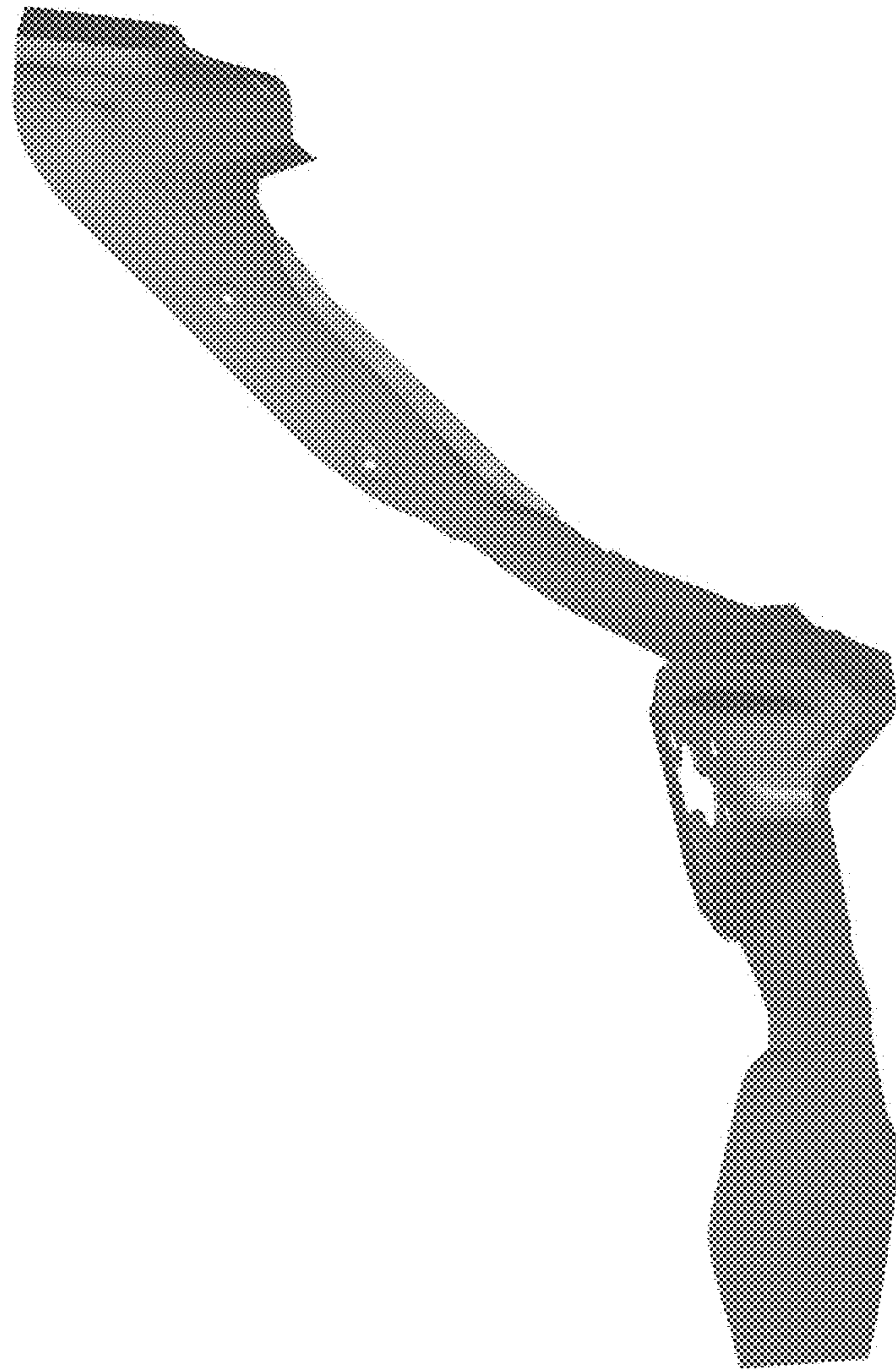
1.2



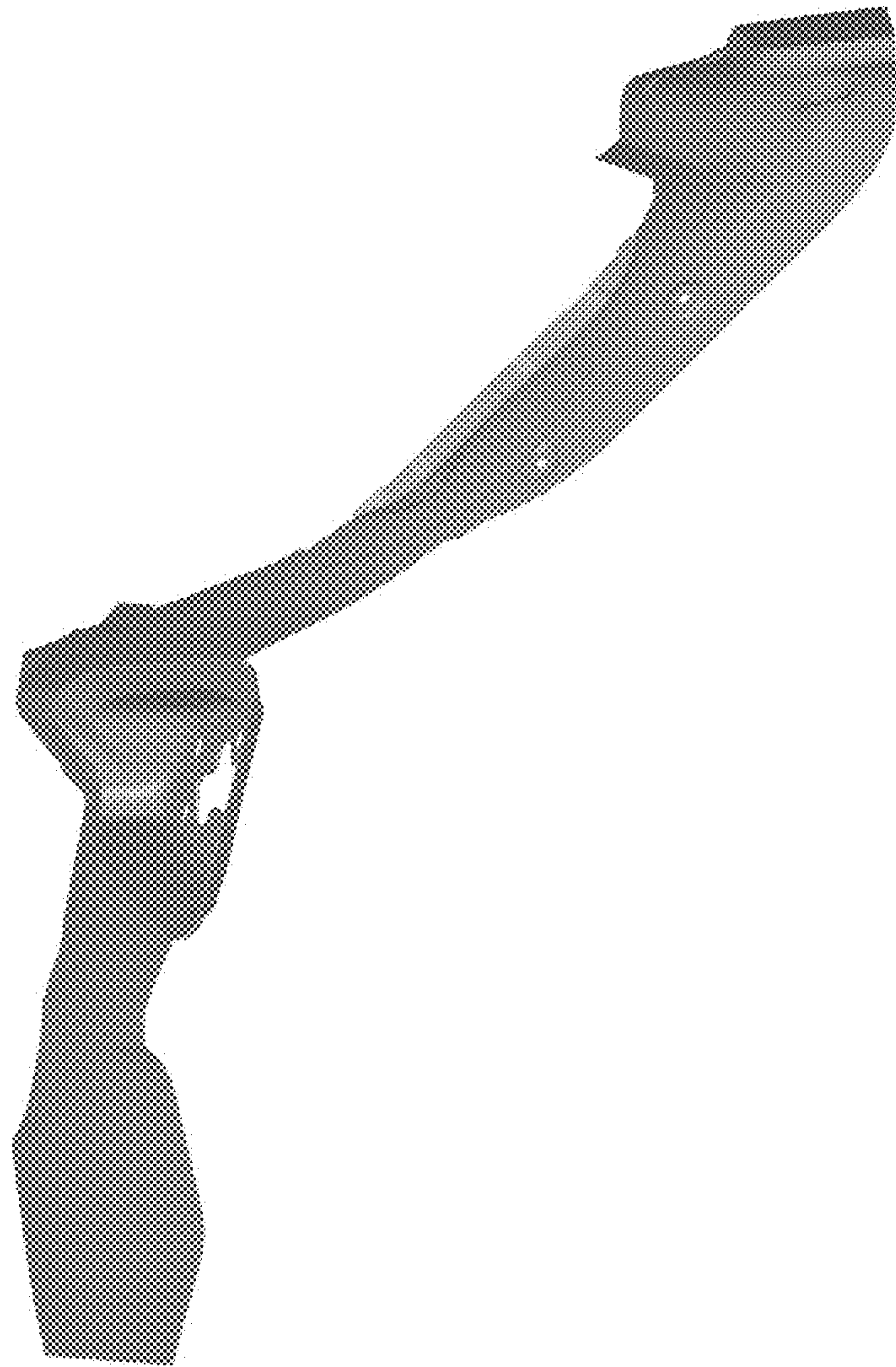
1.3



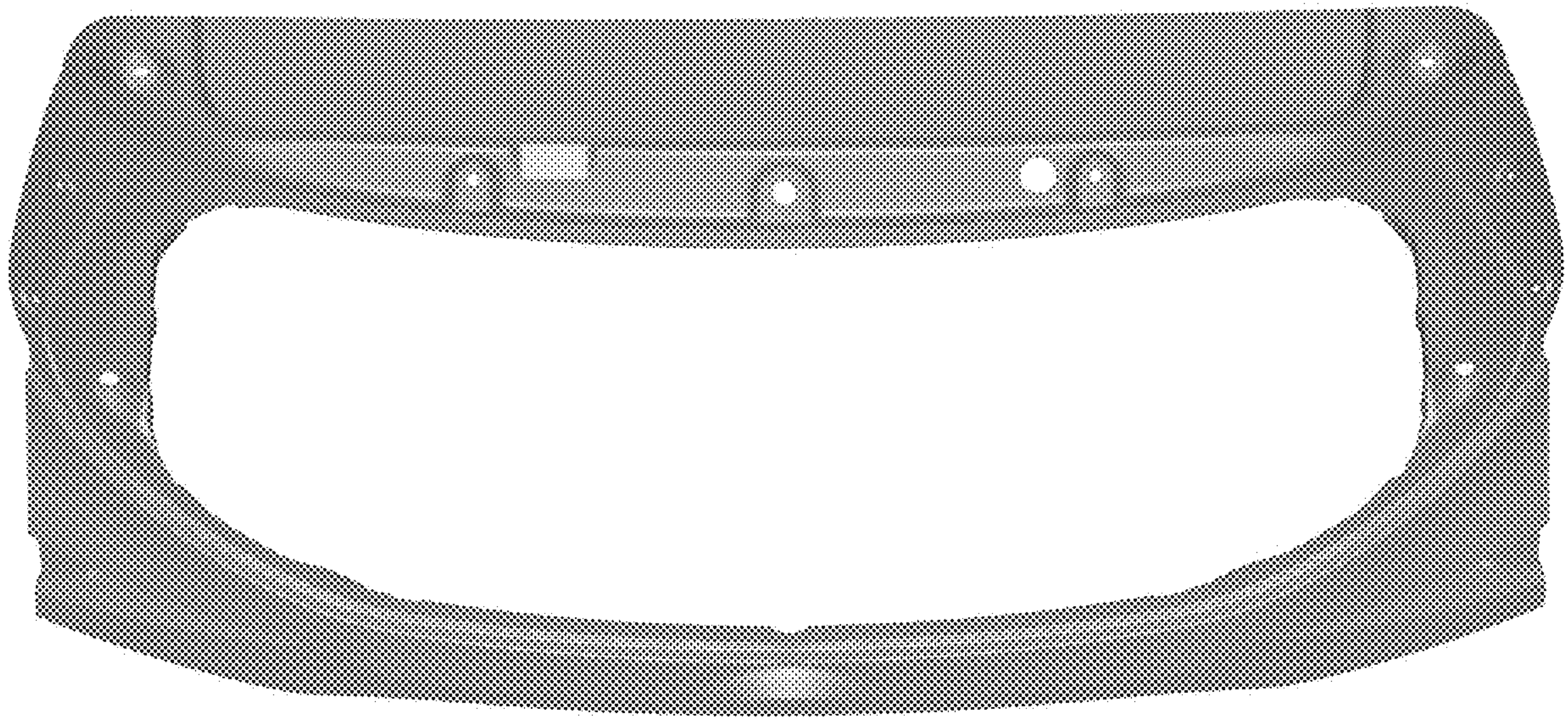
1.4



1.5



1.6



1.7

