



US00D915964S

(12) **United States Design Patent** (10) **Patent No.:** **US D915,964 S**
Yu (45) **Date of Patent:** **** Apr. 13, 2021**

(54) **INSTRUMENT PANEL**
(71) Applicant: **HONDA MOTOR CO., LTD.**, Tokyo (JP)
(72) Inventor: **Simon Hon-Sok Yu**, Los Angeles, CA (US)
(73) Assignee: **HONDA MOTOR CO., LTD.**, Tokyo (JP)
(**) Term: **15 Years**
(21) Appl. No.: **29/700,215**
(22) Filed: **Jul. 31, 2019**
(51) **LOC (13) Cl.** **12-16**
(52) **U.S. Cl.**
USPC **D12/192**
(58) **Field of Classification Search**
USPC D12/191, 192, 190, 195, 345, 415-420, D12/400, 110, 114, 106, 96, 99; D14/57, D14/485, 489, 492, 488, 490; D15/17, D15/28; D10/113.4, 49, 46, 98, 102, D10/103, 122, 123, 124, 125, 126, 127; 296/70, 24.3, 37.12; 702/165
CPC ... B60R 21/045; B60R 2300/305; B60R 7/04; B60R 7/06; B60R 7/08; B60K 35/00; B60K 37/00; B60K 37/02; B60K 37/04; B60K 37/06; G06F 3/04817; H04N 21/4307; H04N 21/4312
See application file for complete search history.

D697,463 S * 1/2014 Yamamoto D12/192
D697,849 S * 1/2014 Tanaka D12/192
D697,852 S * 1/2014 Yamagata D12/192
D699,171 S * 2/2014 Matsuo D12/192
(Continued)

OTHER PUBLICATIONS

2020 Honda Accord Interior Photos, CarBuzz.com, [online], [site visited Oct. 13, 2020]. <URL: https://carbuzz.com/cars/honda/accord-sedan/photos-interior> (Year: 2020).*
(Continued)

Primary Examiner — T Chase Nelson
Assistant Examiner — Jonathan J. Han
(74) *Attorney, Agent, or Firm* — Arent Fox LLP

(57) **CLAIM**

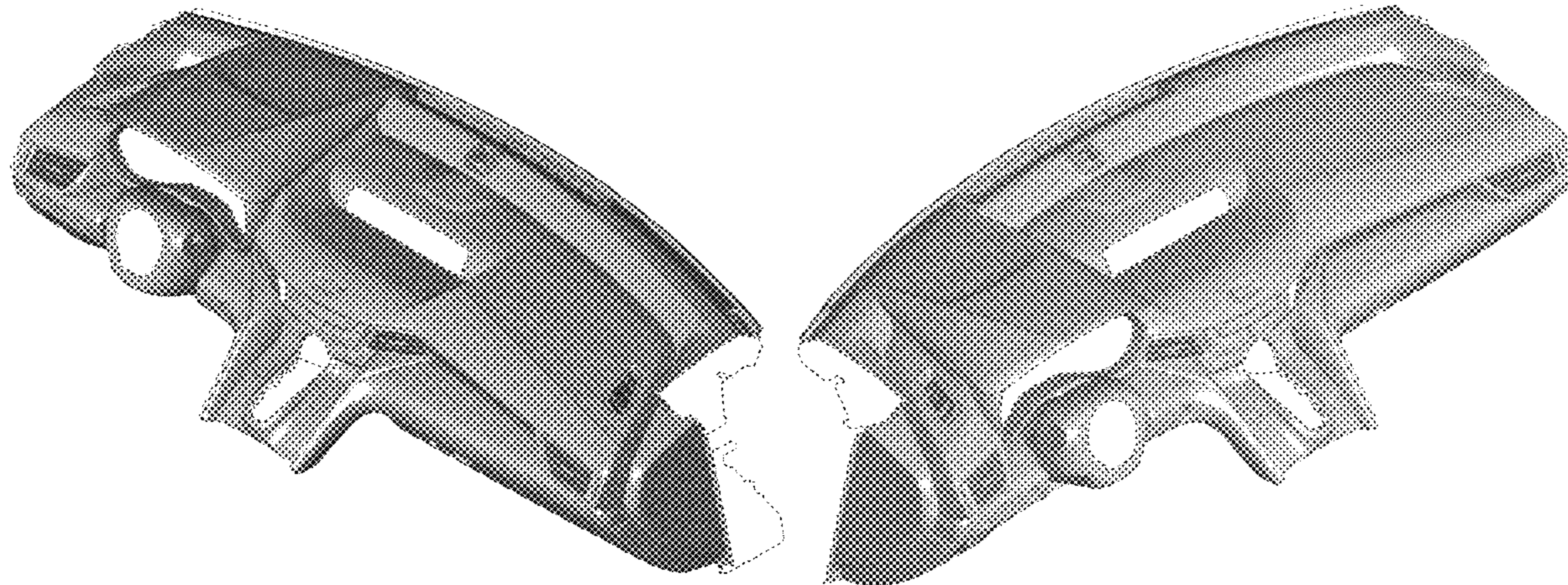
The ornamental design for an instrument panel, as shown and described.

DESCRIPTION

FIG. 1 is a front right perspective view of an instrument panel showing my new design;
FIG. 2 is a front left perspective view of the design shown in FIG. 1;
FIG. 3 is a rear left perspective view of the design shown in FIG. 1;
FIG. 4 is a rear right perspective view of the design shown in FIG. 1;
FIG. 5 is a front view of the design shown in FIG. 1;
FIG. 6 is a rear view of the design shown in FIG. 1;
FIG. 7 is a left side view of the design shown in FIG. 1;
FIG. 8 is a right side view of the design shown in FIG. 1;
FIG. 9 is a top view of the design shown in FIG. 1; and,
FIG. 10 is a bottom view of the design shown in FIG. 1.
The broken lines shown in the figures are included for the purpose of illustrating portions of the instrument panel and form no part of the claimed design.

1 Claim, 10 Drawing Sheets

(56) **References Cited**
U.S. PATENT DOCUMENTS
D625,233 S * 10/2010 Mizuhata D12/192
D637,539 S * 5/2011 Welch D12/192
D653,185 S * 1/2012 Senda D12/192
D654,004 S * 2/2012 Hamajima D12/192
D660,210 S * 5/2012 Minakawa D12/192
D696,171 S * 12/2013 Iwauchi D12/192
D697,461 S * 1/2014 Norman D12/192



(56)

References Cited

U.S. PATENT DOCUMENTS

D704,608 S * 5/2014 Kanda D12/192
D704,609 S * 5/2014 Nakauchi D12/192
D705,145 S * 5/2014 Mangan D12/192
D705,711 S * 5/2014 Yamamoto D12/192
D726,612 S * 4/2015 Wiedeman D12/192
D727,231 S * 4/2015 Narita D12/192
D733,021 S * 6/2015 Takagi D12/192
D737,186 S * 8/2015 Nakao D12/192
D762,152 S * 7/2016 Inagaki D12/192
D770,953 S * 11/2016 Tanaka D12/192
D795,146 S * 8/2017 Ogawa D12/192
D800,040 S * 10/2017 Kasano D12/192
D803,743 S * 11/2017 Igarashi D12/192
D804,380 S * 12/2017 Nakai D12/192
D807,266 S * 1/2018 Hasegawa D12/192
D808,873 S * 1/2018 Joyce D12/192
D810,643 S * 2/2018 Takamura D12/192
D813,127 S * 3/2018 Yamamoto D12/192
D813,769 S * 3/2018 Yaguchi D12/192
D826,122 S * 8/2018 Yamamoto D12/192
D828,260 S * 9/2018 Takagi D12/192
D830,927 S * 10/2018 Tanaka D12/192
D836,510 S * 12/2018 Nakai D12/192
D844,516 S * 4/2019 Yu D12/192
D864,816 S * 10/2019 Kabata D12/192
D872,683 S * 1/2020 Motozaki D12/415
D895,500 S * 9/2020 Nakao D12/192

OTHER PUBLICATIONS

2018 Honda Accord, Cars.USnews.com, [online], [site visited Oct. 13, 2020]. <URL: <https://cars.usnews.com/cars-trucks/honda/accord/2018/photos-interior/dashboard>> (Year: 2020).*

* cited by examiner

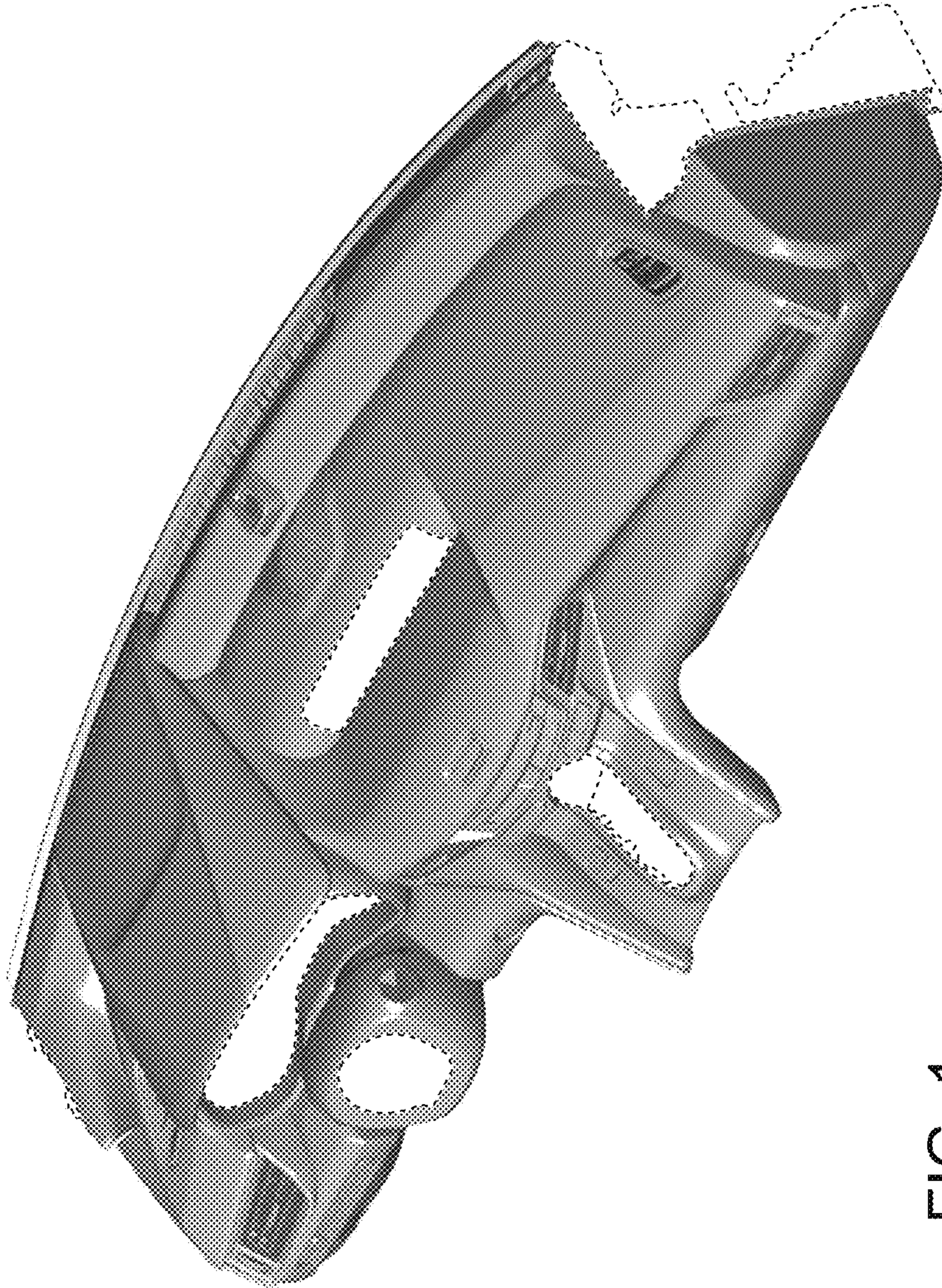


FIG. 1

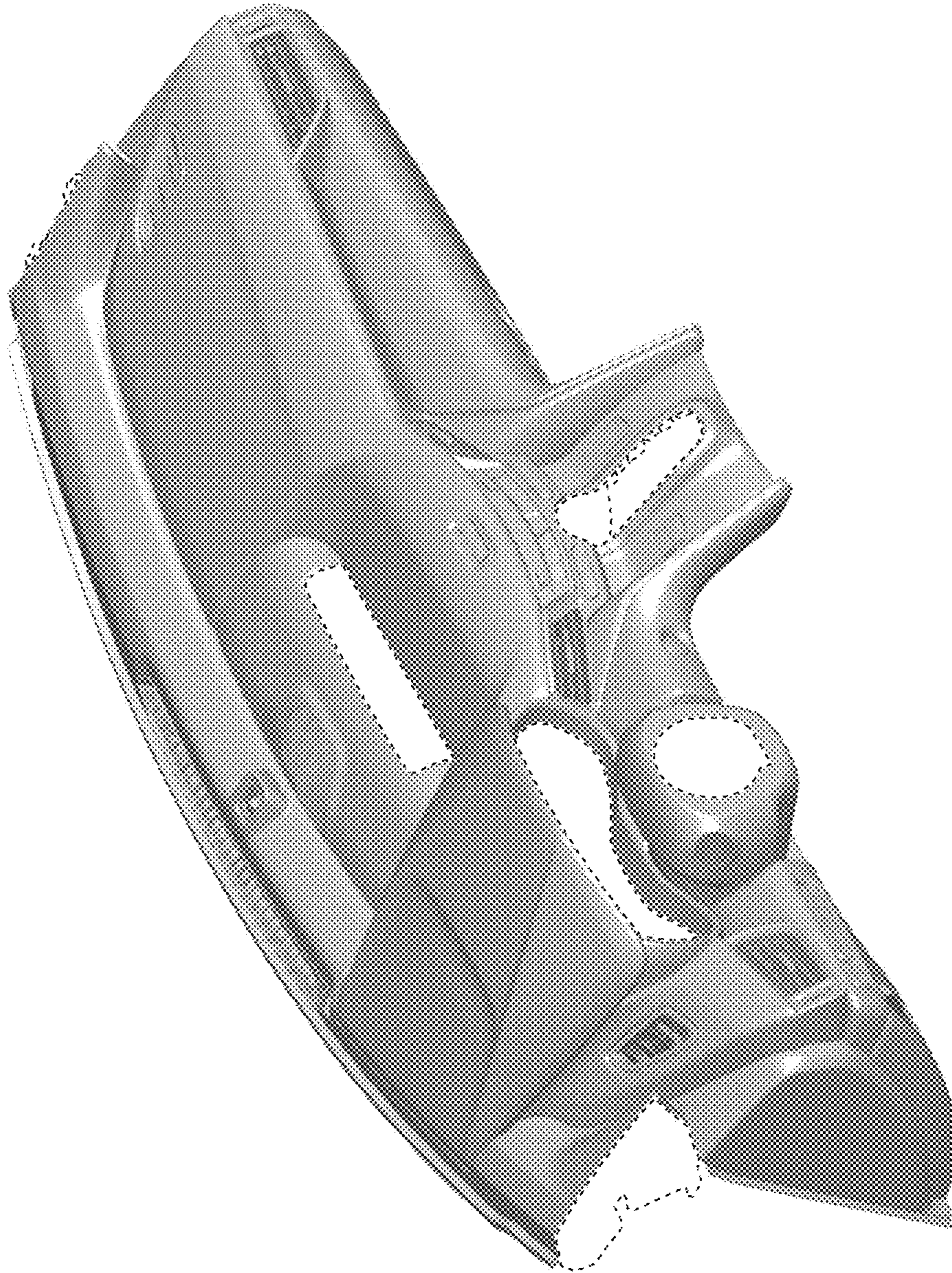


FIG. 2

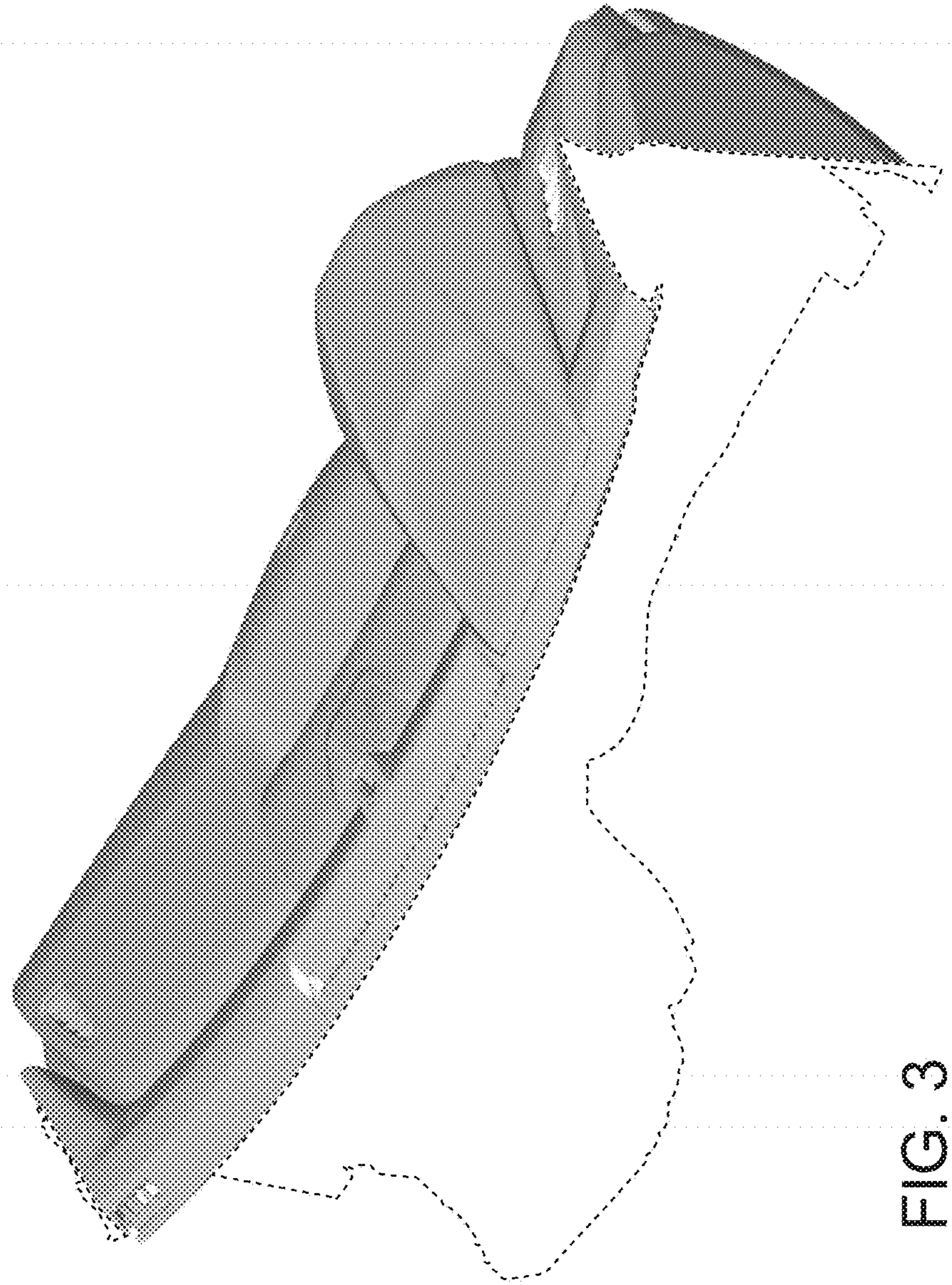


FIG. 3

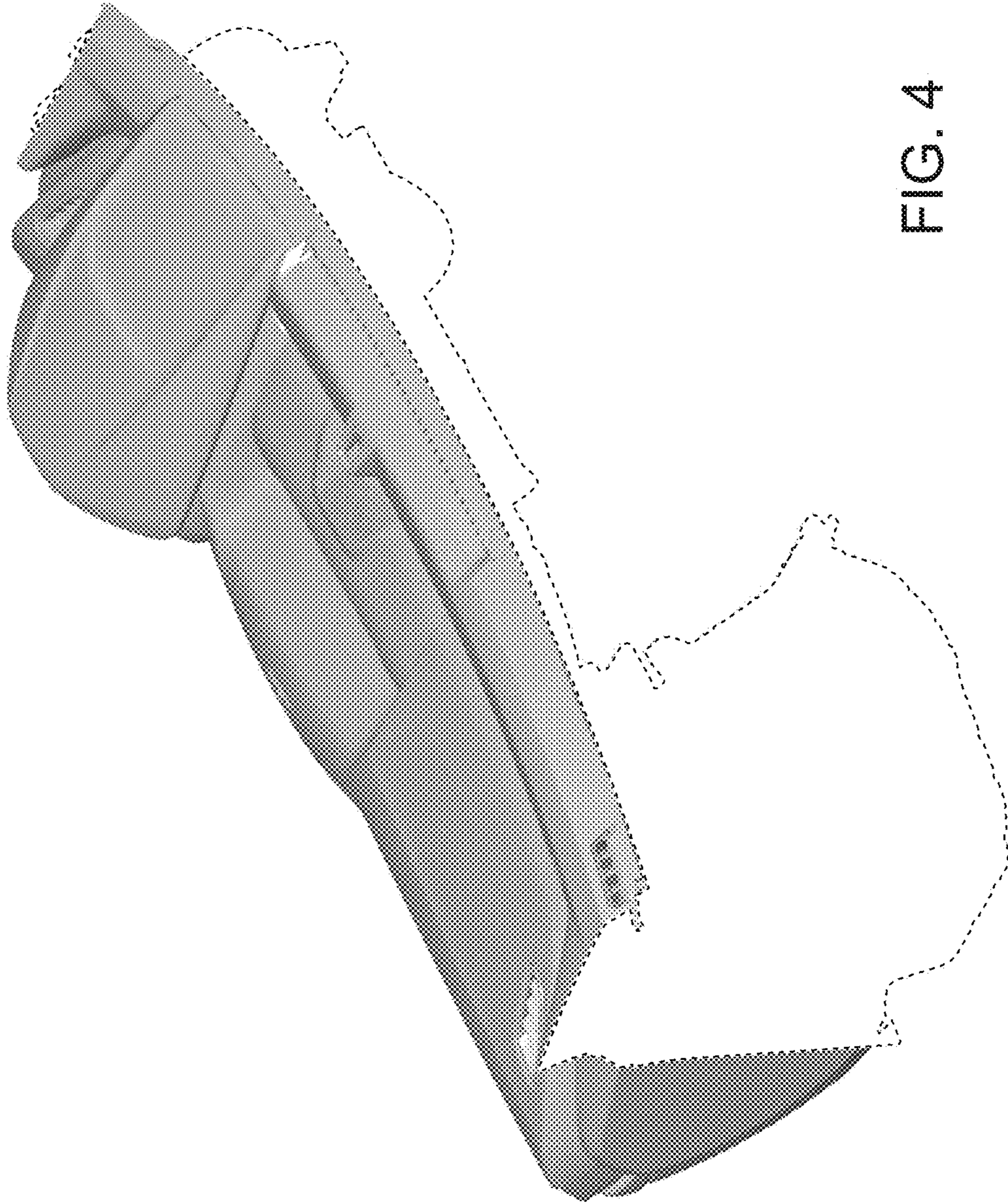


FIG. 4

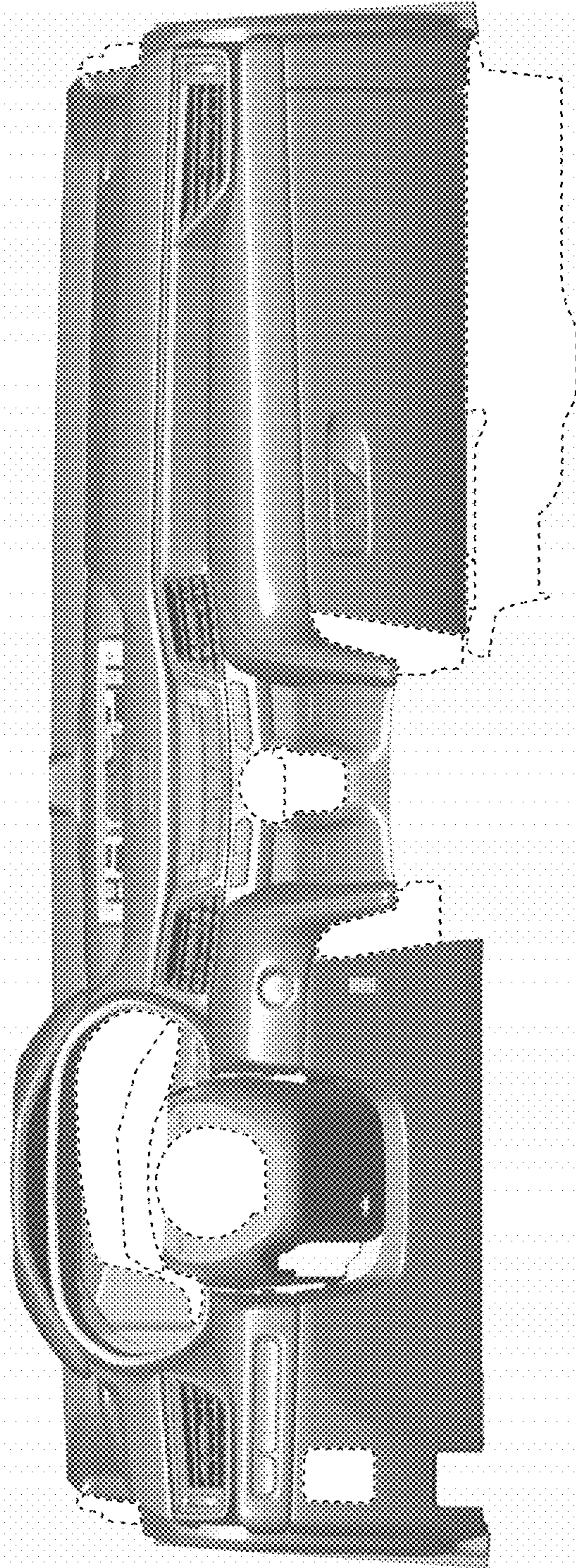


FIG. 5

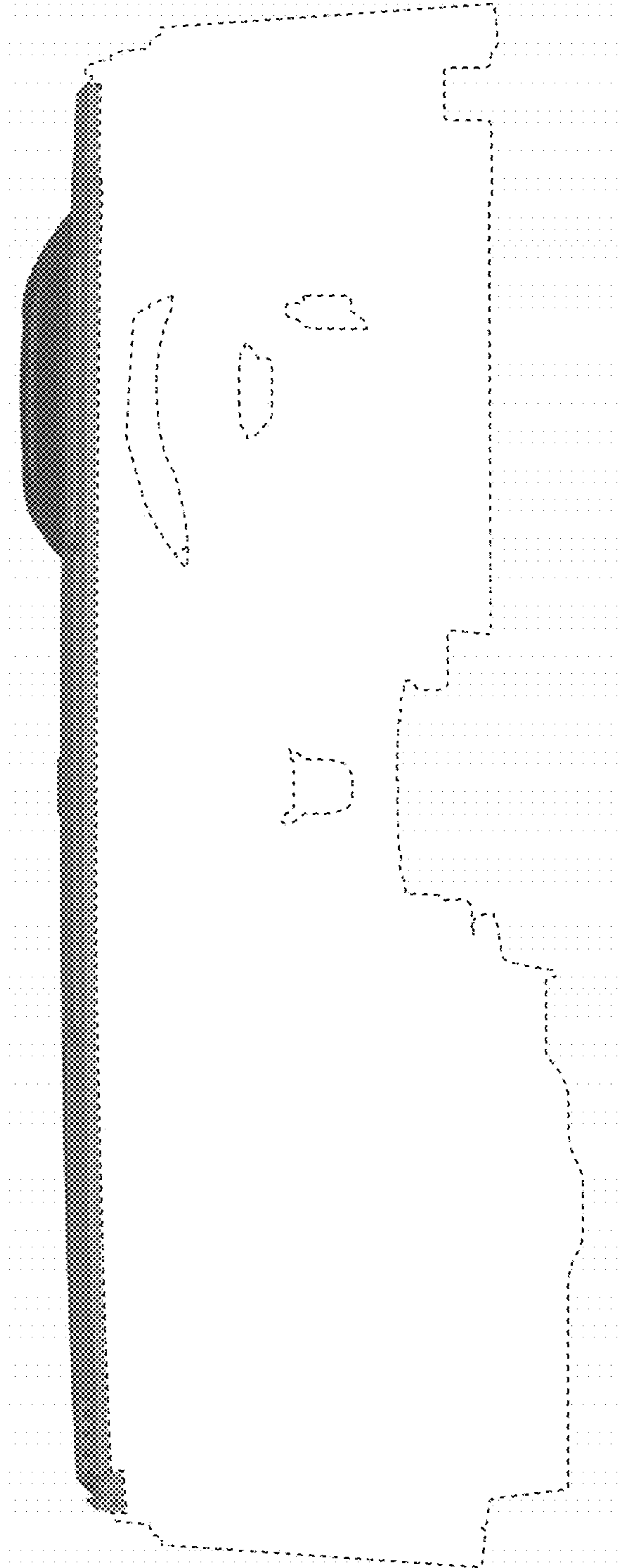


FIG. 6

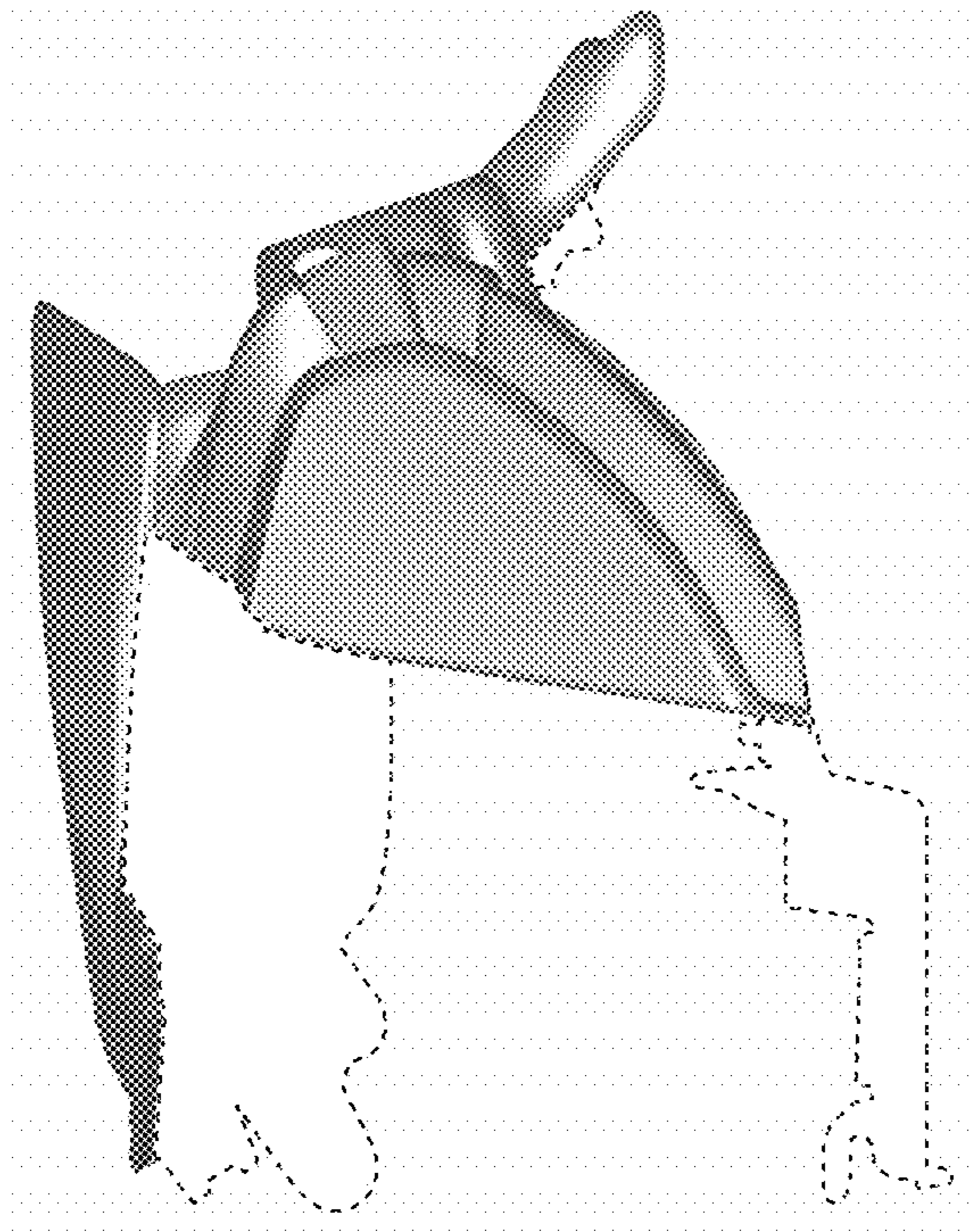


FIG. 7

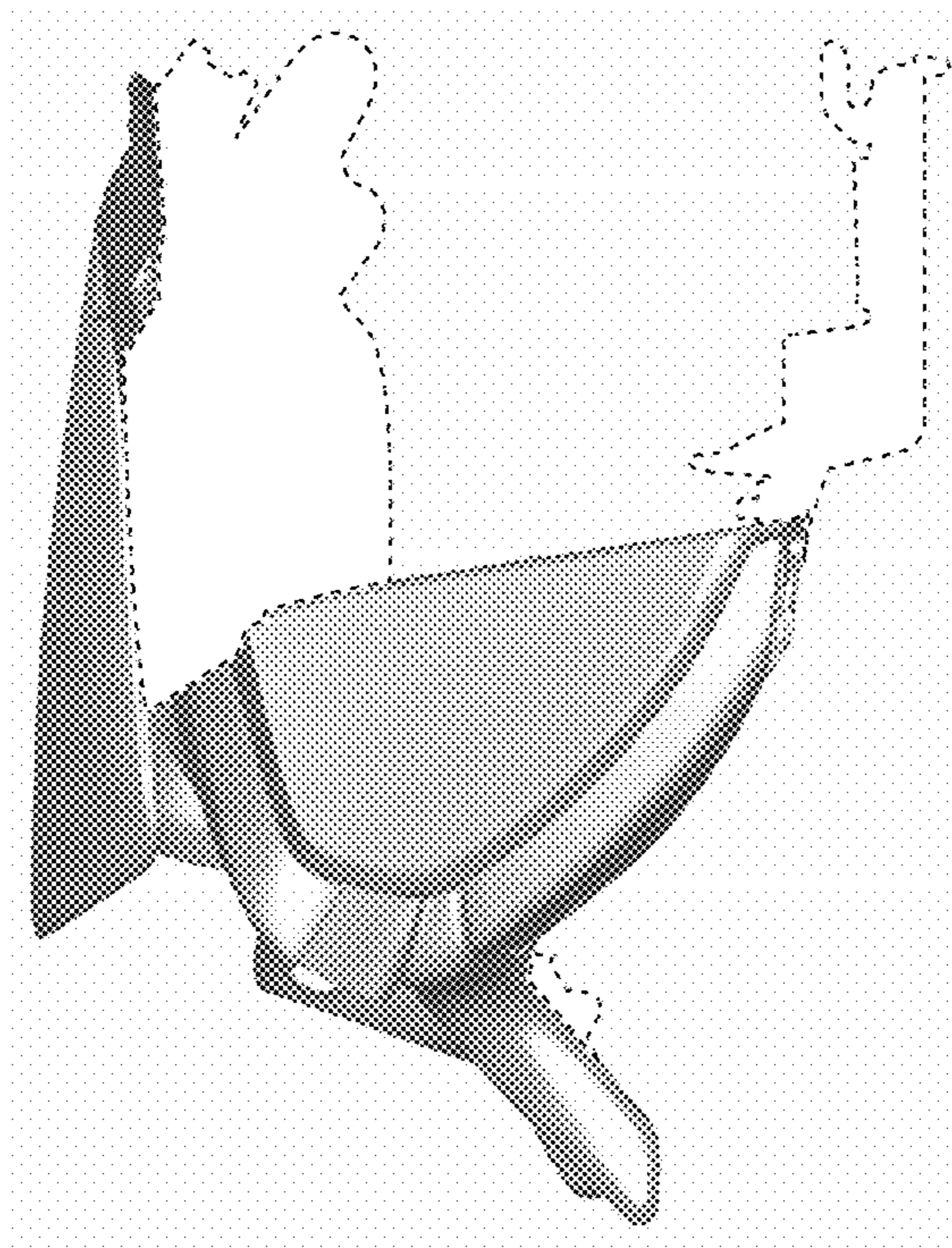


FIG. 8

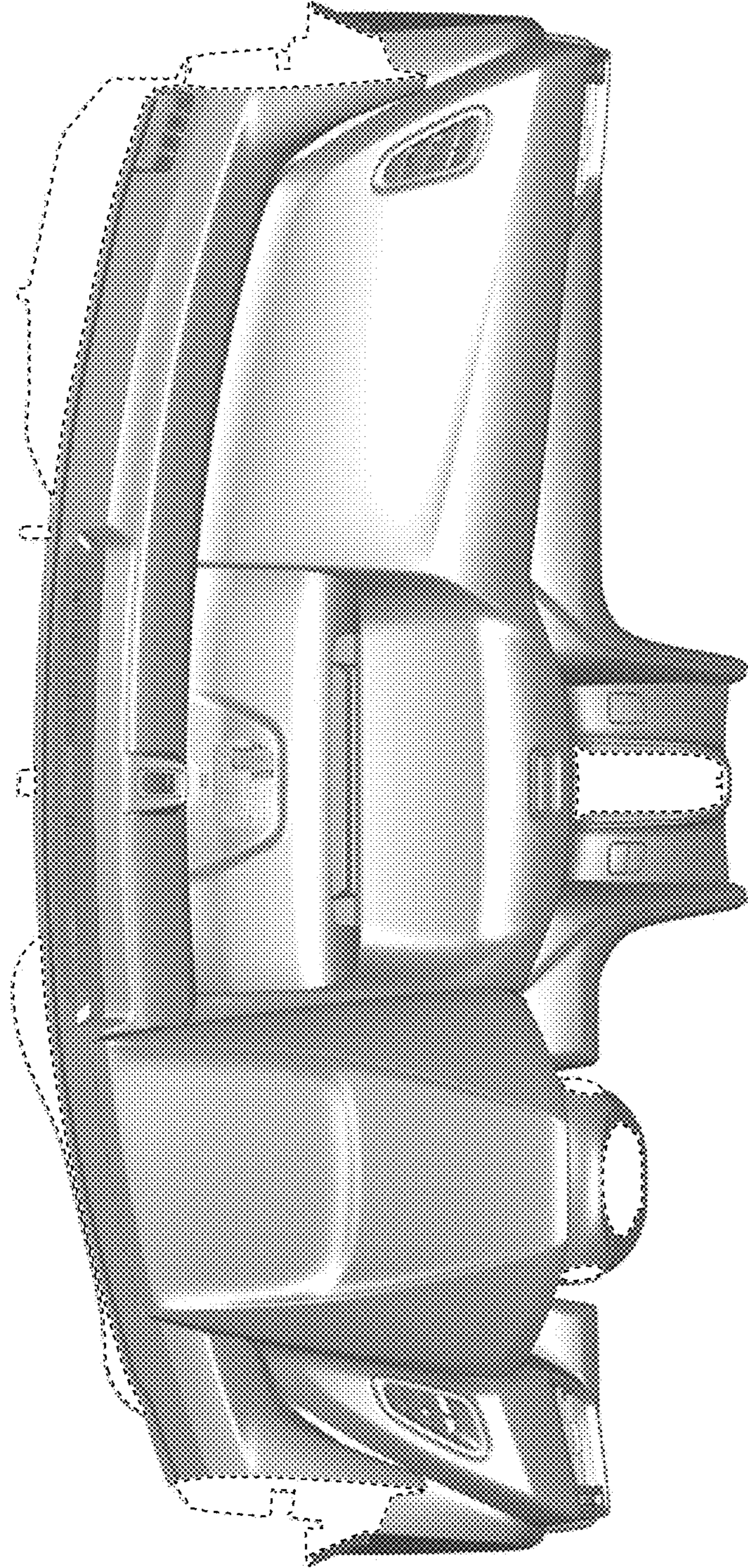


FIG. 9

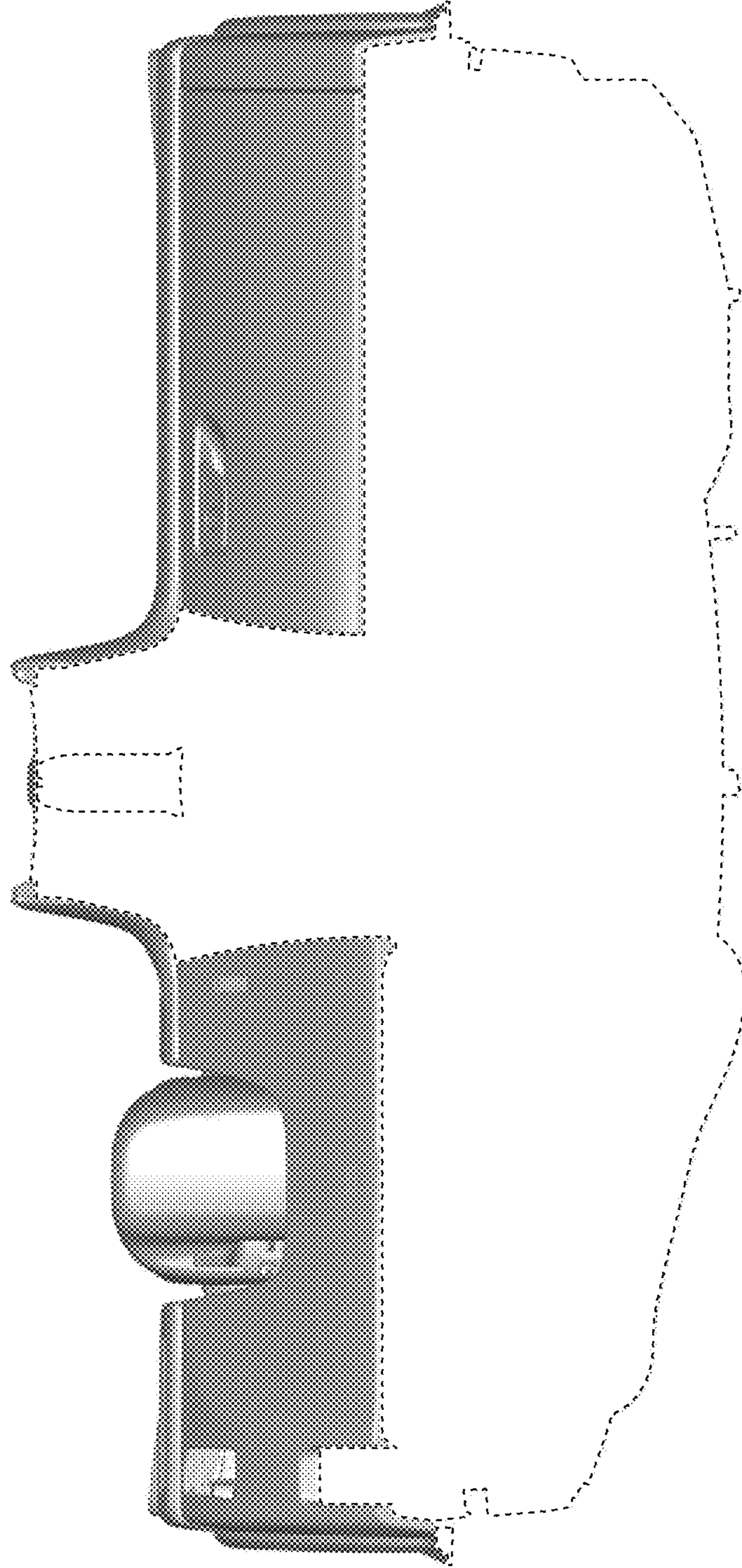


FIG. 10