



US00D915962S

(12) **United States Design Patent**  
**Pastier et al.**

(10) **Patent No.:** **US D915,962 S**

(45) **Date of Patent:** **\*\* Apr. 13, 2021**

(54) **VISOR**

(71) Applicant: **Clark Equipment Company**, West Fargo, ND (US)

(72) Inventors: **Tomas Pastier**, Zvolen (SK); **Jan Smekal**, Lhota u Dolnich Brežan (CZ); **Gul Nalcaci**, Mersin (TR)

(73) Assignee: **CLARK EQUIPMENT COMPANY**, West Fargo, ND (US)

(\*\*) Term: **15 Years**

(21) Appl. No.: **29/709,389**

(22) Filed: **Oct. 14, 2019**

(51) **LOC (13) Cl.** ..... **12-16**

(52) **U.S. Cl.**  
USPC ..... **D12/191**

(58) **Field of Classification Search**  
USPC ..... D12/191, 192, 400; D15/10-33  
CPC ..... B60J 3/002; B60R 1/00  
See application file for complete search history.

(56) **References Cited**

**U.S. PATENT DOCUMENTS**

D397,656 S *	9/1998	Thompson	.....	D12/191
D456,328 S *	4/2002	Meier	.....	D12/182
D482,644 S *	11/2003	Meier	.....	D12/182
D525,923 S *	8/2006	Kudo	.....	D12/182
D586,277 S *	2/2009	Yamazaki	.....	D12/192
D586,278 S *	2/2009	Yu	.....	D12/192
D664,695 S *	7/2012	Herberholt	.....	D26/63
D670,421 S *	11/2012	Herberholt	.....	D26/63
D680,253 S *	4/2013	Herberholt	.....	D26/60

D710,771 S *	8/2014	Hovind	.....	D12/181
D724,511 S *	3/2015	Ahn	.....	D12/192
D818,911 S *	5/2018	Yates	.....	D12/181
D818,912 S *	5/2018	Anderson	.....	D12/181
D885,272 S *	5/2020	Smith	.....	D12/181
D899,330 S *	10/2020	Zeng	.....	D12/181
D905,602 S *	12/2020	Chen	.....	D12/181

\* cited by examiner

*Primary Examiner* — Mark A Goodwin

(74) *Attorney, Agent, or Firm* — John Veldhuis-Kroeze; Westman, Champlin & Koehler, P.A.

(57) **CLAIM**

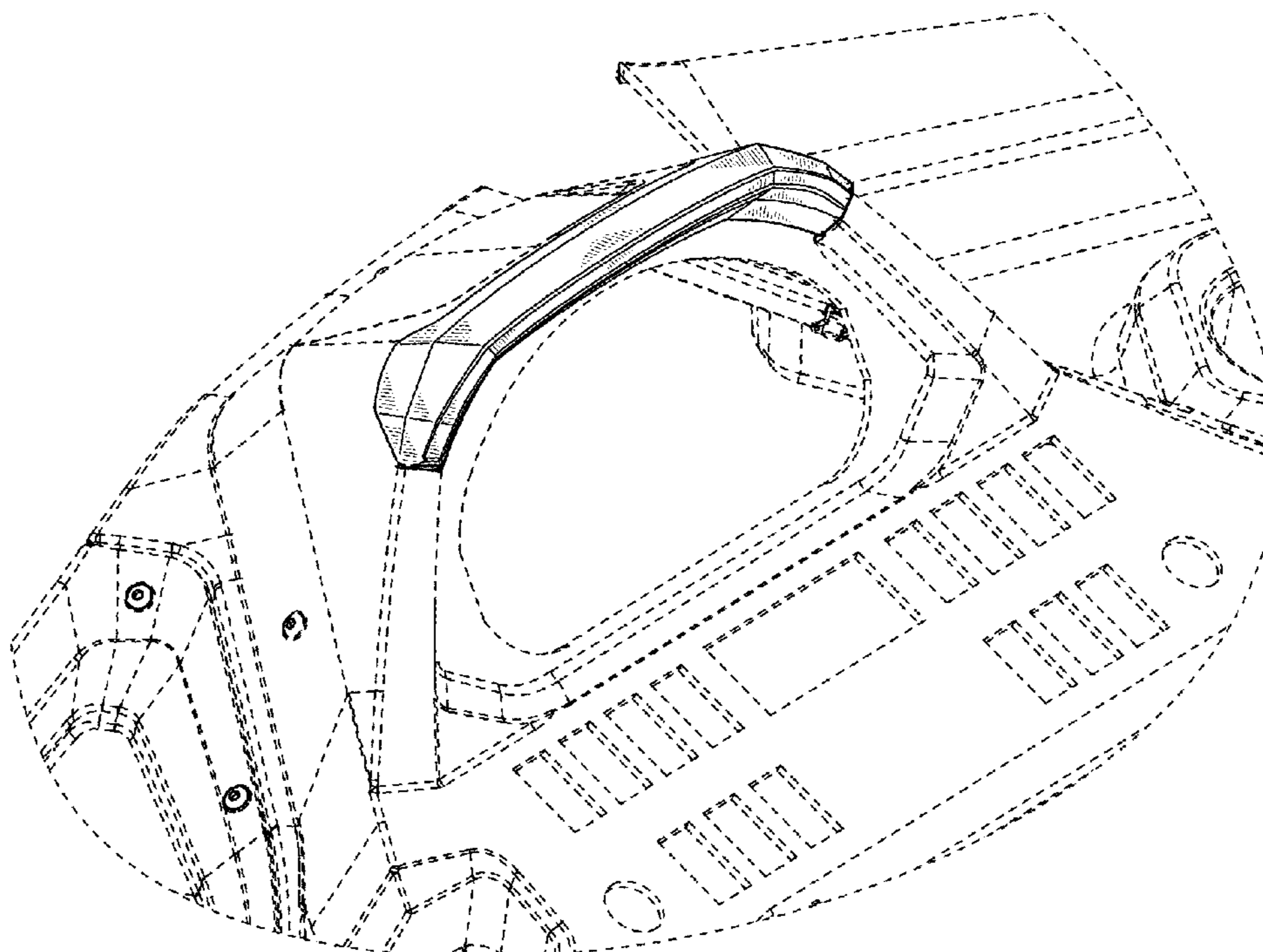
The ornamental design for a visor, as shown and described.

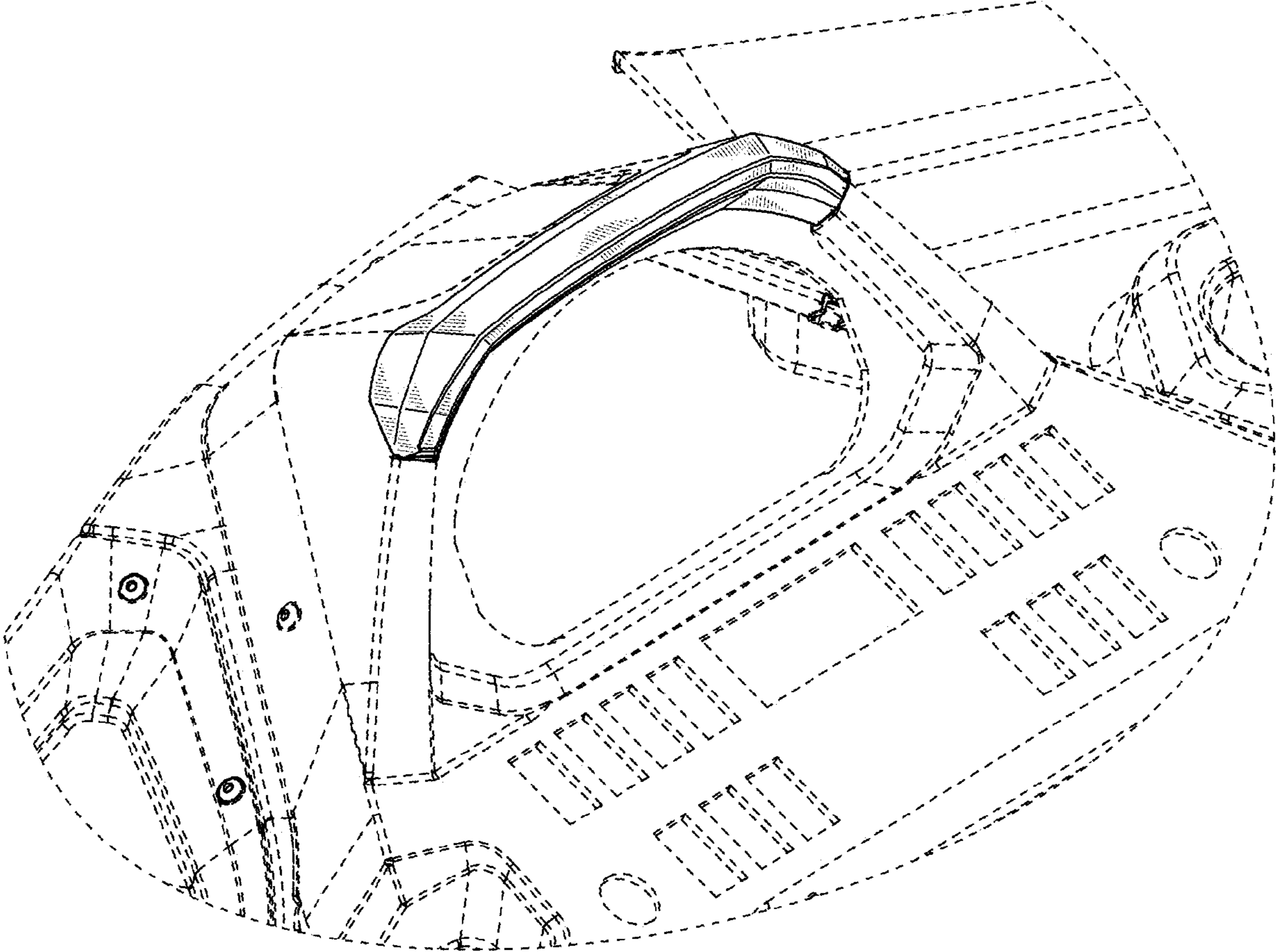
**DESCRIPTION**

FIG. 1 is a perspective view of a visor showing our new design in use condition;  
FIG. 2 is a perspective view without environment thereof;  
FIG. 3 is a front view thereof;  
FIG. 4 is a back view thereof;  
FIG. 5 is a right side view of thereof, the left side view being a mirror image; and,  
FIG. 6 is a top view thereof.

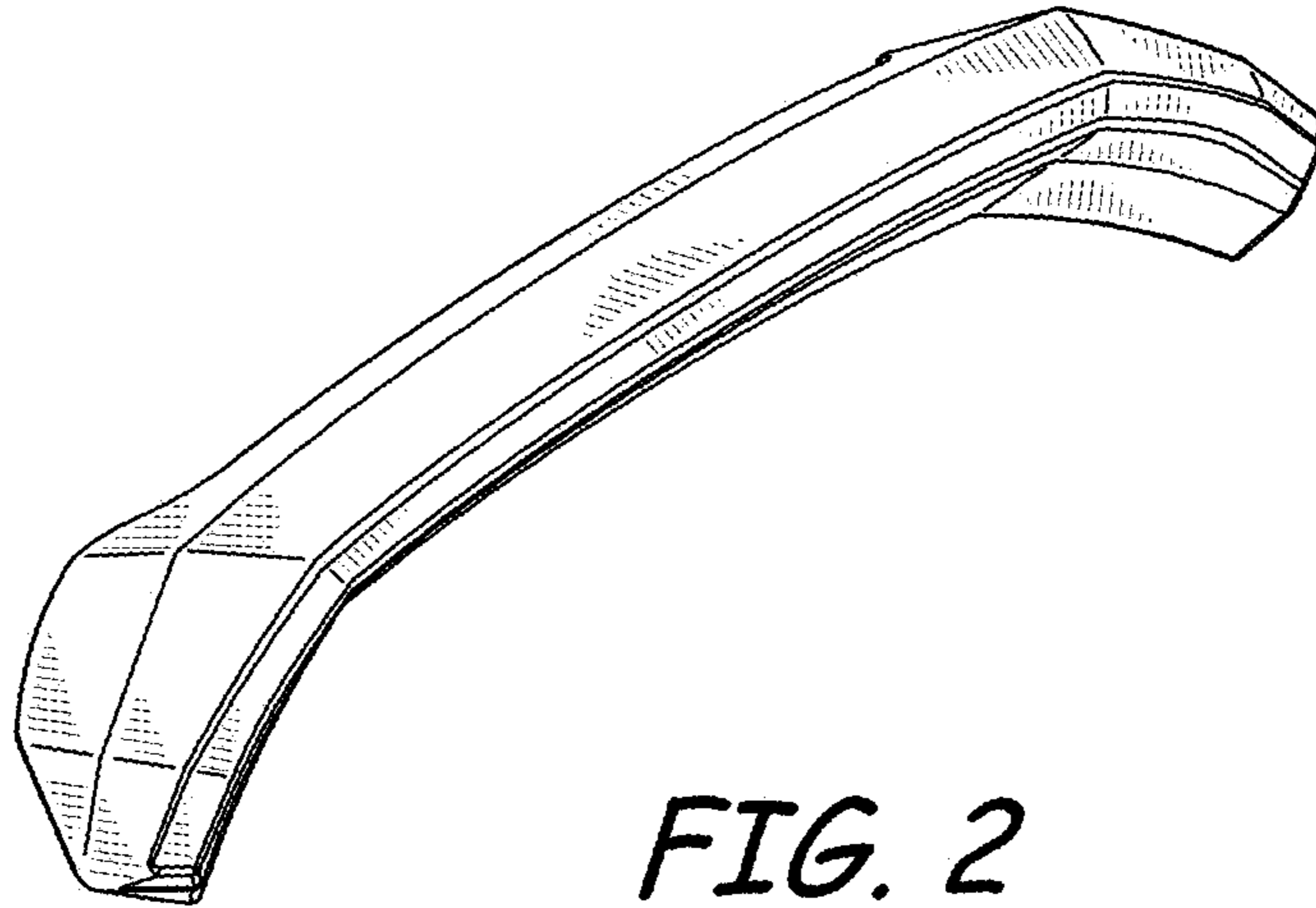
The broken line showing in FIG. 1 of a dash assembly is included for the purpose of illustrating environmental structure only and forms no part of the claimed design. The broken line showing in FIG. 4 of the bottom of the visor is included for the purpose of illustrating portions of the visor and forms no part of the claimed design.

**1 Claim, 3 Drawing Sheets**

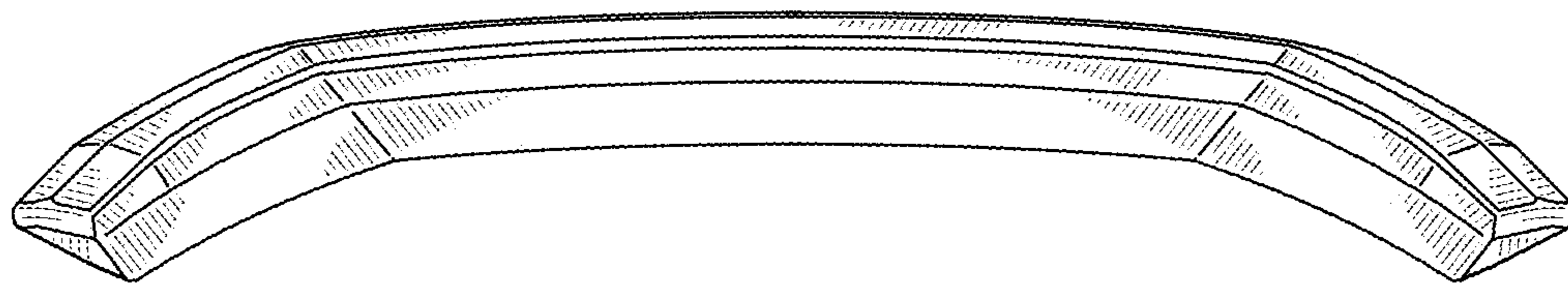




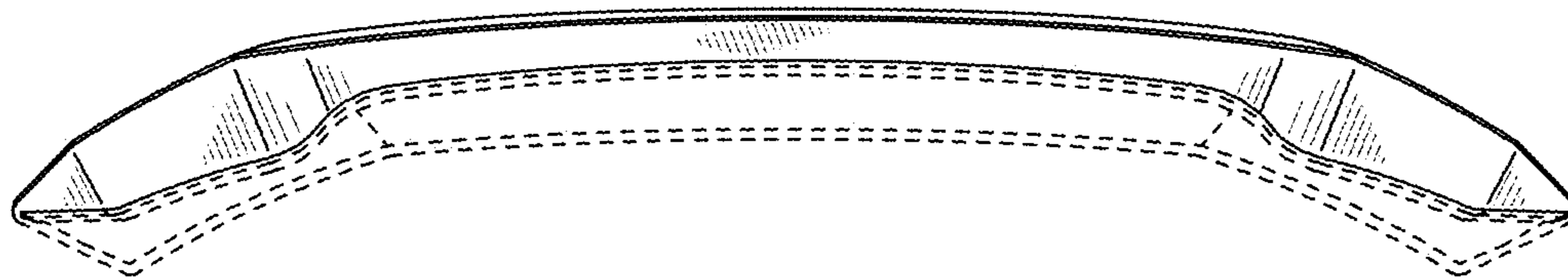
*FIG. 1*



*FIG. 2*



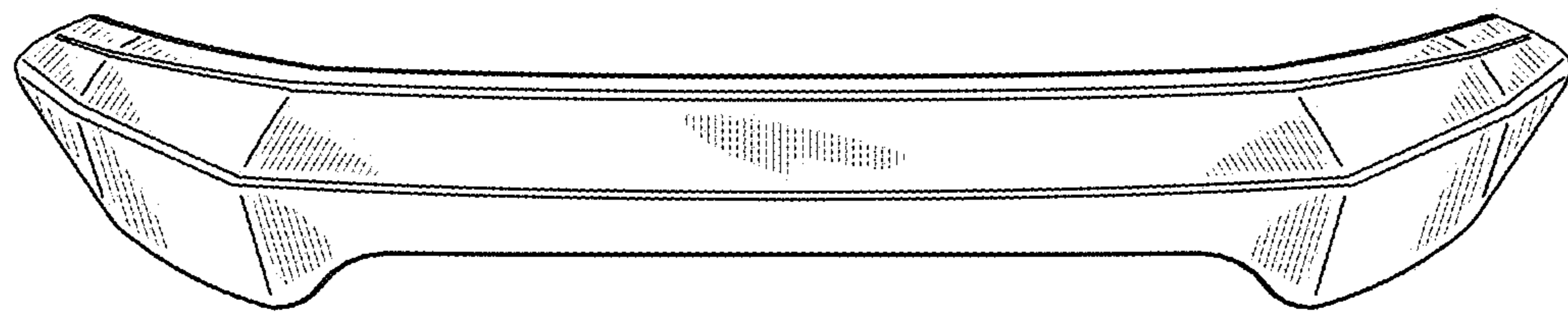
*FIG. 3*



*FIG. 4*



*FIG. 5*



*FIG. 6*