



US00D915960S

(12) **United States Design Patent** (10) **Patent No.:** **US D915,960 S**
Oliver et al. (45) **Date of Patent:** **** Apr. 13, 2021**

(54) **TRUCK BED CAP WING**
(71) Applicant: **Michigan Vehicle Solutions**, Southgate, MI (US)
(72) Inventors: **Richard David Oliver**, Grosse Ile, MI (US); **Bruce Richard Burman**, Allen Park, MI (US)
(73) Assignee: **Michigan Vehicle Solutions**, Southgate, MI (US)
(**) Term: **15 Years**
(21) Appl. No.: **29/691,022**
(22) Filed: **May 13, 2019**
(51) **LOC (13) Cl.** **12-16**
(52) **U.S. Cl.**
USPC **D12/181**
(58) **Field of Classification Search**
USPC D12/190, 191, 192, 181, 415, 196, 400, D12/173, 126, 169, 203, 414, 286, 171, D12/110, 114
CPC B60J 7/08; B60J 1/2008; B60R 21/20; B60R 21/06; B60R 13/02; B60R 13/04
See application file for complete search history.

D726,608 S * 4/2015 Curic D12/181
D726,609 S * 4/2015 Curic D12/181
D751,478 S * 3/2016 Buck D12/190
D753,566 S * 4/2016 Wu D12/181
D782,376 S * 3/2017 McArt D12/181
D859,282 S * 9/2019 Dowdey D12/401
D867,244 S * 11/2019 Chiang D12/181
D871,984 S * 1/2020 Munsell D12/181
D875,004 S * 2/2020 Chiang D12/181
2018/0244137 A1 * 8/2018 Oliver B60J 7/08

* cited by examiner

Primary Examiner — Susan E Krakower
Assistant Examiner — Jerry Shiuan-Hua Hsu
(74) *Attorney, Agent, or Firm* — Craig A. Phillips; Dickinson Wright PLLC

(57) **CLAIM**

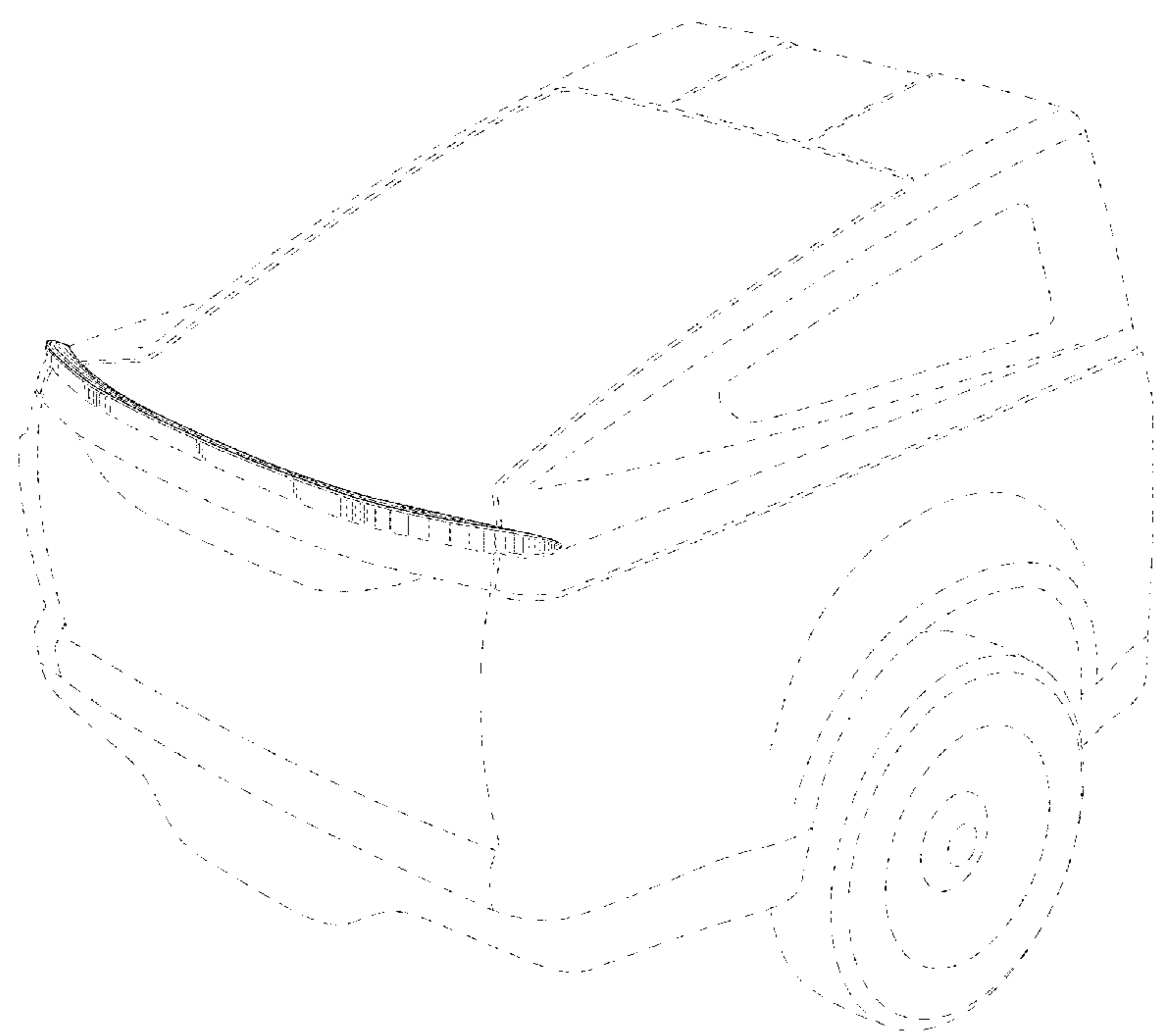
The ornamental design for the truck bed cap wing, as shown and described.

DESCRIPTION

FIG. 1 is a rear perspective view of a truck bed cap wing, in a state of use, showing my new design;
FIG. 2 is a top plan view thereof;
FIG. 3 is a bottom plan view thereof;
FIG. 4 is a right elevational view thereof, the left side elevational view being a mirror image;
FIG. 5 is a front elevational view thereof; and,
FIG. 6 is a rear elevational view thereof.
The broken lines showing a vehicle in FIG. 1 illustrate environmental structure that forms no part of the claimed design. The broken lines on the surface or adjacent to the truck bed cap wing, illustrate portions of the article that form no part of the claimed design.

1 Claim, 3 Drawing Sheets

(56) **References Cited**
U.S. PATENT DOCUMENTS
4,323,274 A * 4/1982 Soderberg B60J 1/2008 296/180.1
D271,191 S * 11/1983 Amprim D12/181
D304,819 S * 11/1989 Chapman D12/181
D375,710 S * 11/1996 Brown D12/181
D558,654 S * 1/2008 Woods D12/190
D641,297 S * 7/2011 Vardis D12/181



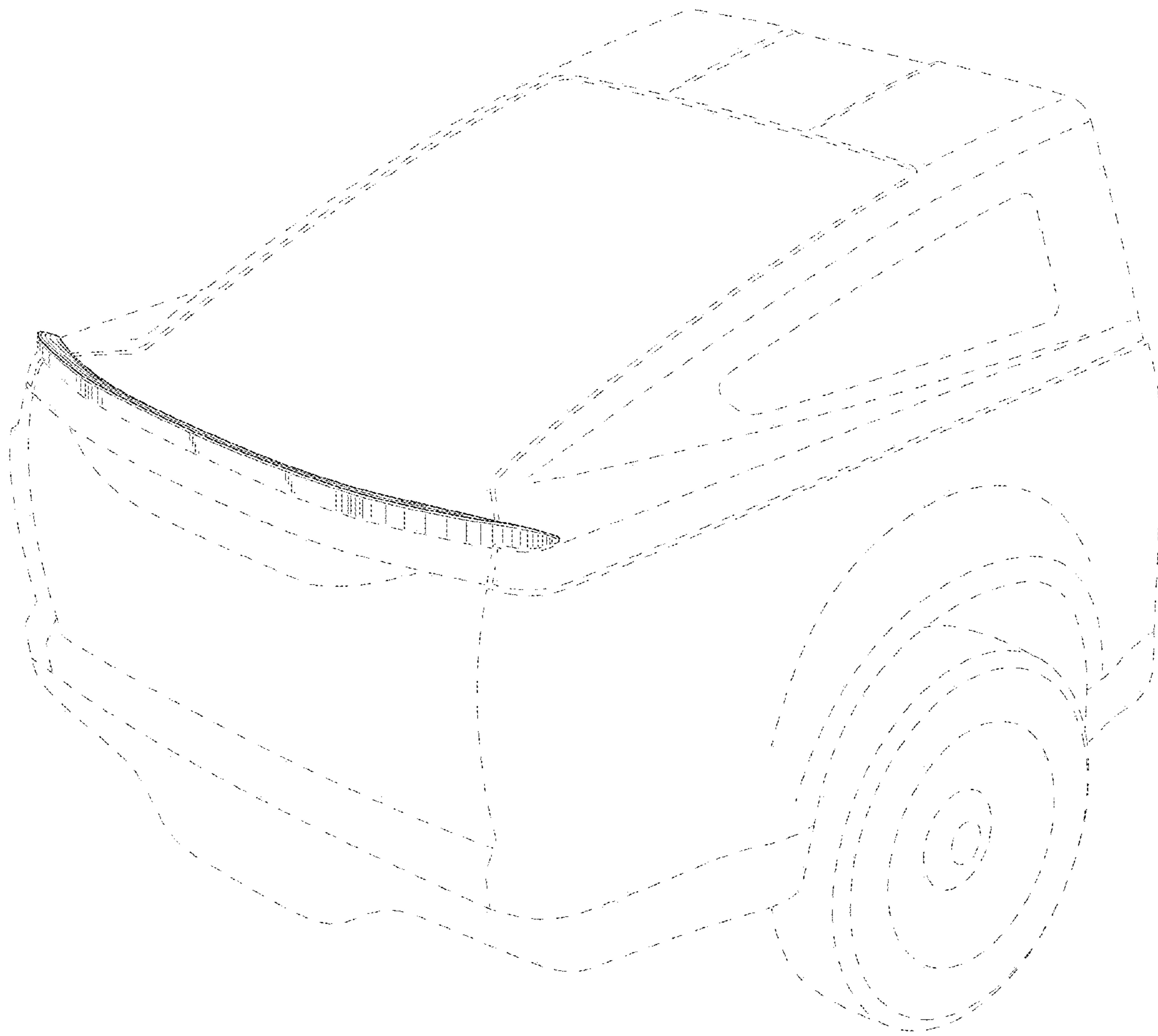


Fig. 1

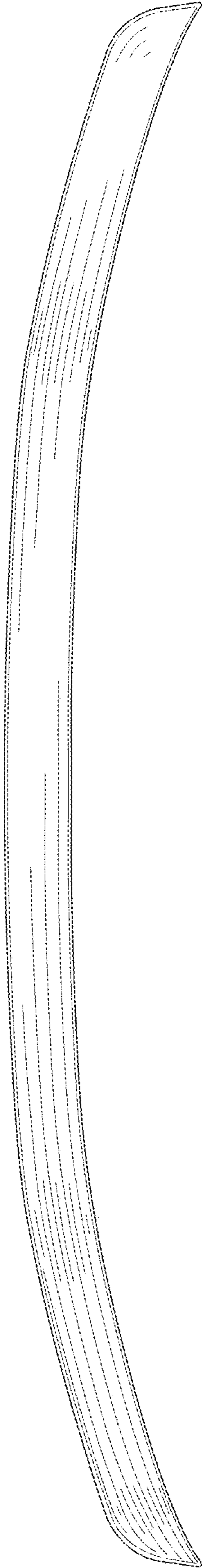


Fig. 2



Fig. 3

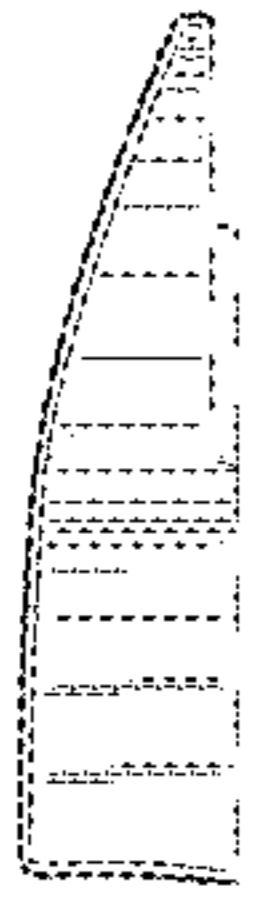


Fig. 4

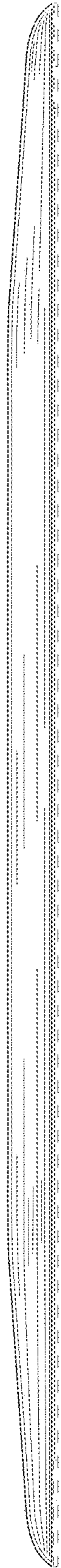


Fig. 5

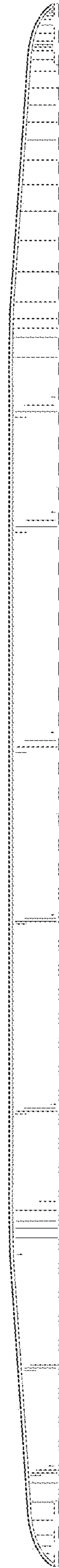


Fig. 6