



US00D915959S

(12) **United States Design Patent** (10) **Patent No.:** **US D915,959 S**
Sims et al. (45) **Date of Patent:** **** Apr. 13, 2021**

(54) **BRAKE CONTROLLER**

FOREIGN PATENT DOCUMENTS

(71) Applicant: **FORD GLOBAL TECHNOLOGIES, LLC**, Dearborn, MI (US)

CN 2136778 U 6/1993
CN 2846241 U 12/2006

(Continued)

(72) Inventors: **Russell Allan Sims**, Grosse Ile, MI (US); **Cary Ochen Diehl**, Grosse Ile, MI (US)

OTHER PUBLICATIONS

(73) Assignee: **FORD GLOBAL TECHNOLOGIES, LLC**, Dearborn, MI (US)

Final Office Action in related U.S. Appl. No. 15/139,759, dated Nov. 3, 2017.

(Continued)

(**) Term: **15 Years**

Primary Examiner — Selina Sikder

(21) Appl. No.: **29/675,719**

(74) *Attorney, Agent, or Firm* — Burr & Forman, LLP

(22) Filed: **Jan. 4, 2019**

(57) **CLAIM**

Related U.S. Application Data

(62) Division of application No. 29/601,803, filed on Apr. 26, 2017, now Pat. No. Des. 838,218, which is a division of application No. 29/487,428, filed on Apr. 8, 2014, now Pat. No. Des. 789,898.

The ornamental design for a brake controller, as shown and described.

(51) **LOC (13) Cl.** **12-16**

DESCRIPTION

(52) **U.S. Cl.**
USPC **D12/177; D13/162**

(58) **Field of Classification Search**
USPC D13/162, 174; D12/174, 175, 176, 177
CPC B60K 35/00; B60K 37/06; B60T 7/00;
B60T 7/042; B60T 7/08; B60T 7/085;
B60T 7/10; B60T 7/20; B62D 1/00;
B62D 1/02; B62D 1/04; B62D 1/043;
B62D 1/046; B62D 1/14

This application is related to U.S. patent application Ser. No. 14/248,078 (filed Apr. 8, 2014; now U.S. Pat. No. 9,346,439); and to U.S. Design patent application Ser. No. 29/487,425 (filed Apr. 8, 2014; now U.S. Pat. No. D787,391), the entire contents of each of which are incorporated by reference herein.

FIG. 1 is a perspective view of a second embodiment of a brake controller of our new design.

FIG. 2 is a front view of the brake controller of FIG. 1.

FIG. 3 is a back view of the brake controller of FIG. 1.

FIG. 4 is a right side view of the brake controller of FIG. 1.

FIG. 5 is a left side view of the brake controller of FIG. 1.

FIG. 6 is a top view of the brake controller of FIG. 1; and,

FIG. 7 is a bottom view of the brake controller of FIG. 1.

The portions of the figures depicted in broken lines are not part of the claimed design.

See application file for complete search history.

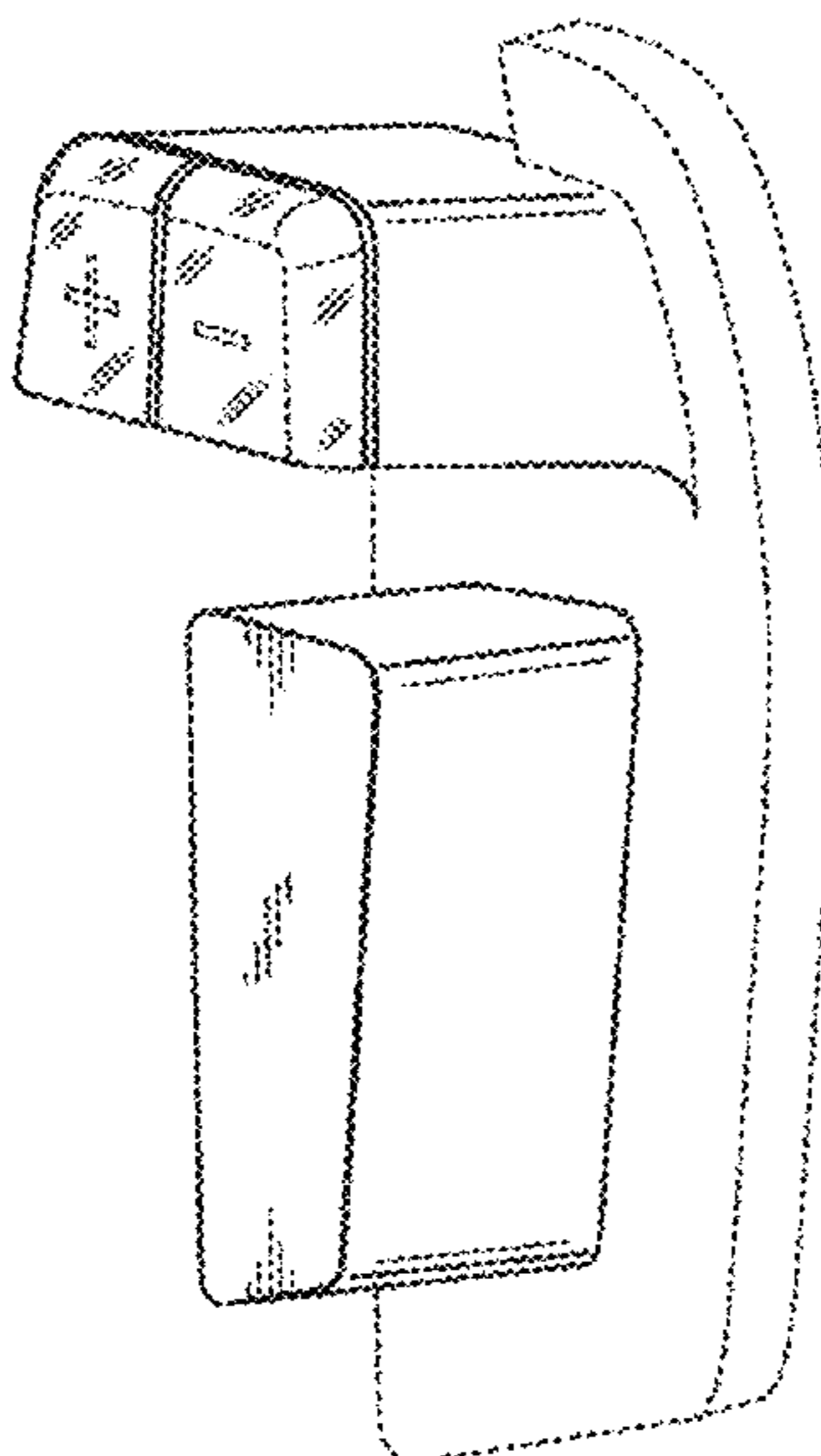
(56) **References Cited**

U.S. PATENT DOCUMENTS

2,082,430 A 6/1937 Pinckney et al.
2,233,192 A 2/1941 Armington et al.
2,539,994 A 1/1951 Werner et al.

(Continued)

1 Claim, 3 Drawing Sheets



(56)

References Cited

U.S. PATENT DOCUMENTS

3,532,188 A 10/1970 Kelz et al.
 3,592,280 A 7/1971 Wappler et al.
 4,217,792 A 8/1980 Kesling
 5,603,674 A 2/1997 Rivas et al.
 5,785,393 A 7/1998 McGrath et al.
 6,050,649 A 4/2000 Hensley
 6,167,775 B1 1/2001 Sebazco
 6,179,390 B1 1/2001 Guzorek et al.
 6,371,572 B1 4/2002 Frank
 6,609,768 B1 8/2003 Frank
 6,655,703 B1 12/2003 Spears, Jr.
 6,966,613 B2 11/2005 Davis
 D526,109 S 8/2006 Bergman et al.
 7,278,510 B1 10/2007 Richards
 D564,974 S 3/2008 Berg et al.
 D606,914 S 12/2009 Pohanka
 D618,145 S 6/2010 Tupinier
 D634,247 S 3/2011 Confer et al.
 8,067,709 B2 11/2011 Han et al.
 8,140,235 B2 3/2012 Simmerman
 8,438,943 B2 5/2013 Herbert et al.
 8,511,759 B2 8/2013 Marsden et al.
 D696,992 S 1/2014 Pohanka et al.
 D709,006 S 7/2014 Busse et al.
 D710,271 S 8/2014 Norman et al.
 D727,226 S 4/2015 Mayerle
 9,308,930 B2 4/2016 Bostick et al.
 9,346,439 B2 5/2016 Diehl et al.
 D787,391 S 5/2017 Sims et al.
 D789,898 S 6/2017 Sims et al.
 9,963,125 B2 * 5/2018 Diehl B62D 1/046
 D837,703 S * 1/2019 Sims D12/177
 D838,218 S * 1/2019 Sims D12/177
 2002/0104705 A1 8/2002 Kuhn
 2003/0160412 A1 8/2003 Constans
 2004/0084291 A1 5/2004 Adachi et al.
 2004/0099468 A1 5/2004 Chernoff et al.
 2005/0247549 A1 11/2005 Wahl et al.
 2006/0079372 A1 4/2006 Ringger et al.
 2007/0001509 A1 1/2007 Brown et al.
 2008/0023253 A1 1/2008 Prost-Fin et al.
 2009/0199671 A1 8/2009 Trevino et al.
 2014/0022070 A1 1/2014 Golomb
 2014/0214275 A1 7/2014 Miller et al.
 2014/0224600 A1 8/2014 Rosenbaum
 2015/0066322 A1 3/2015 Squire et al.
 2015/0082933 A1 3/2015 Spaggiari
 2015/0238982 A1 8/2015 Koklu

FOREIGN PATENT DOCUMENTS

DE 3708094 C1 9/1988
 JP 05270410 A 10/1993

OTHER PUBLICATIONS

Non-Final Office Action in related U.S. Appl. No. 15/139,759, dated Jun. 26, 2017.
 Notice of Allowance in related U.S. Appl. No. 15/139,759, dated Jan. 23, 2018.
 Notice of Allowance in U.S. Appl. No. 29/601,330, dated Jun. 11, 2018.
 Non-Final Office Action dated Jun. 15, 2015 from patented U.S. Appl. No. 14/248,078.
 Final Office dated Oct. 19, 2015 from patented U.S. Appl. No. 14/248,078.
 Acceleration and Declaration Operating Device for Vehicle, JP 05-270410 A, Owada et al., Oct. 1993.
 Advisory Action dated Jun. 30, 2016 from patented U.S. Appl. No. 29/487,425.
 Non-Final Office Action dated Aug. 16, 2016 from patented U.S. Appl. No. 29/487,425.
 Final Office Action dated Mar. 25, 2016 from patented U.S. Appl. No. 29/487,425.
 Notice of Allowance dated Jan. 20, 2016 from patented U.S. Appl. No. 14/248,078.
 Notice of Allowance dated Jan. 5, 2017 from patented U.S. Appl. No. 29/487,425.
 Notice of Allowance dated Jan. 30, 2017 from patented U.S. Appl. No. 29/487,428.
 Non-Final Office Action dated Oct. 5, 2015 from patented U.S. Appl. No. 29/487,425.
 Russell Allan Sims et al. "Brake Controller", Design U.S. Appl. No. 29/487,428, filed Apr. 8, 2014.
 Russell Allan Sims et al. "Steering Wheel Mounted Brake Controller", Design U.S. Appl. No. 29/487,425, filed Apr. 8, 2014.
 Notice of Allowance dated Feb. 27, 2017 from patented U.S. Appl. No. 29/487,428.
 Notice of Allowance dated Apr. 14, 2017 from patented U.S. Appl. No. 29/487,428.
 Notice of Allowance dated Sep. 19, 2018 from co-pending U.S. Appl. No. 29/601,803.
 Notice of Allowance dated Dec. 18, 2018 from co-pending U.S. Appl. No. 29/601,803.

* cited by examiner

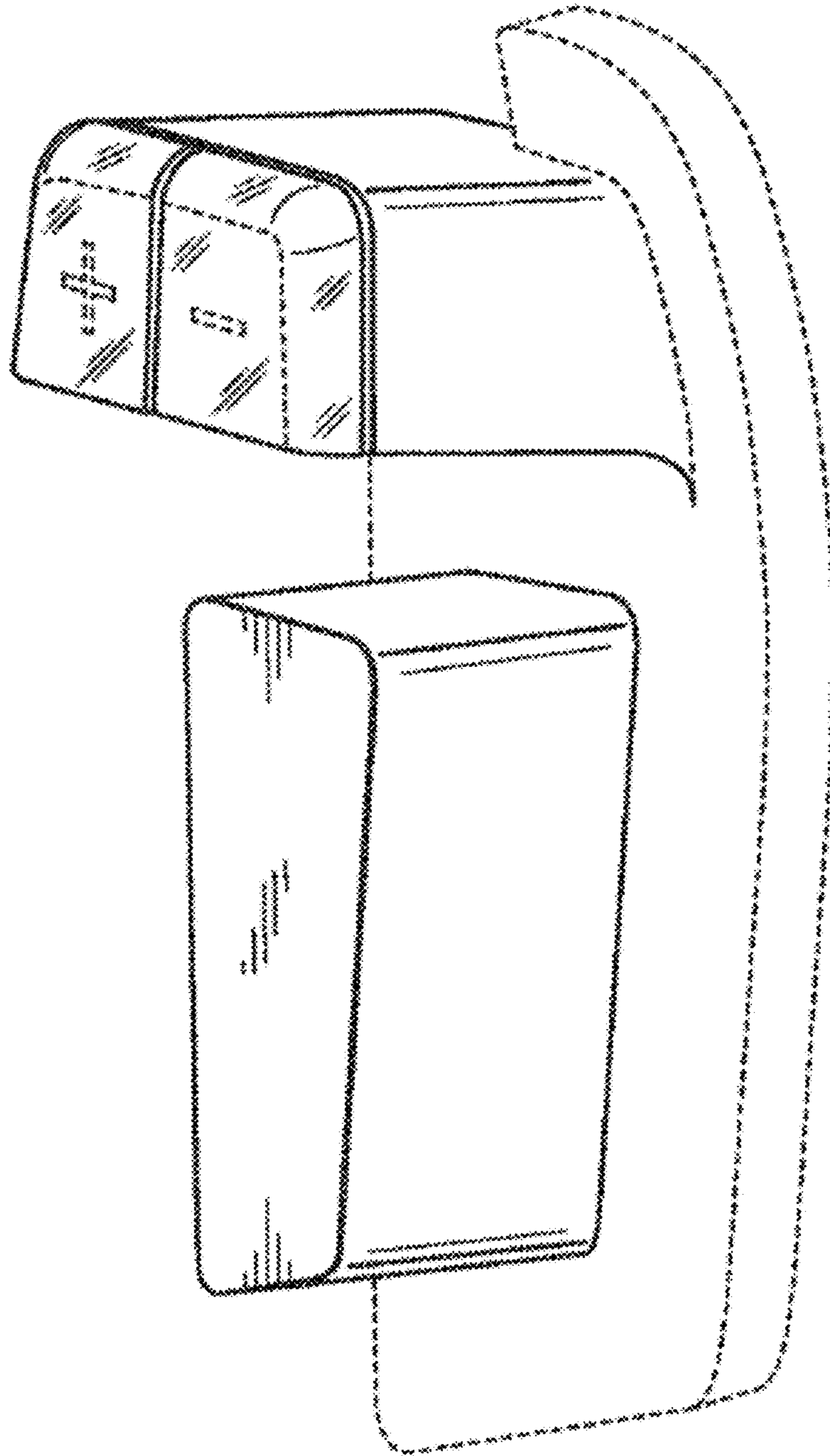


FIG. 1

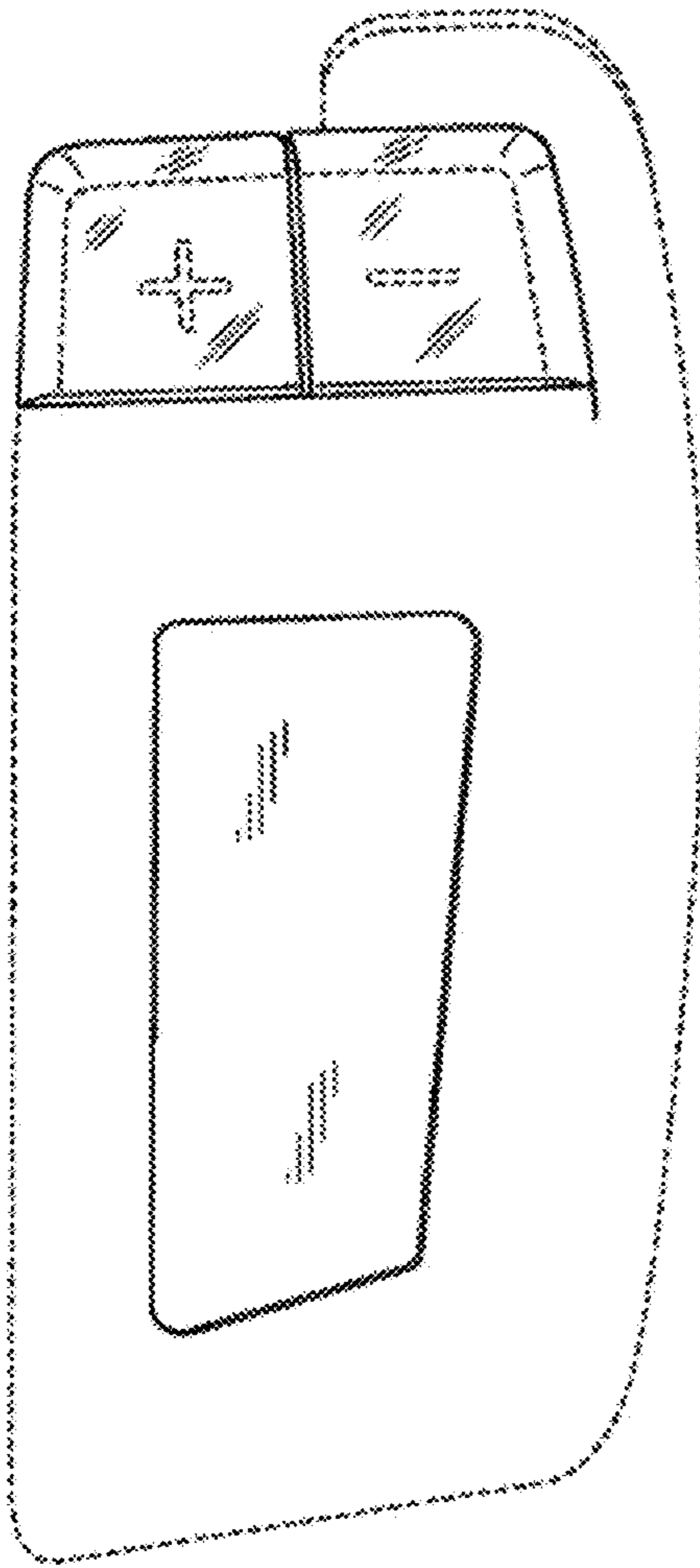


FIG. 2

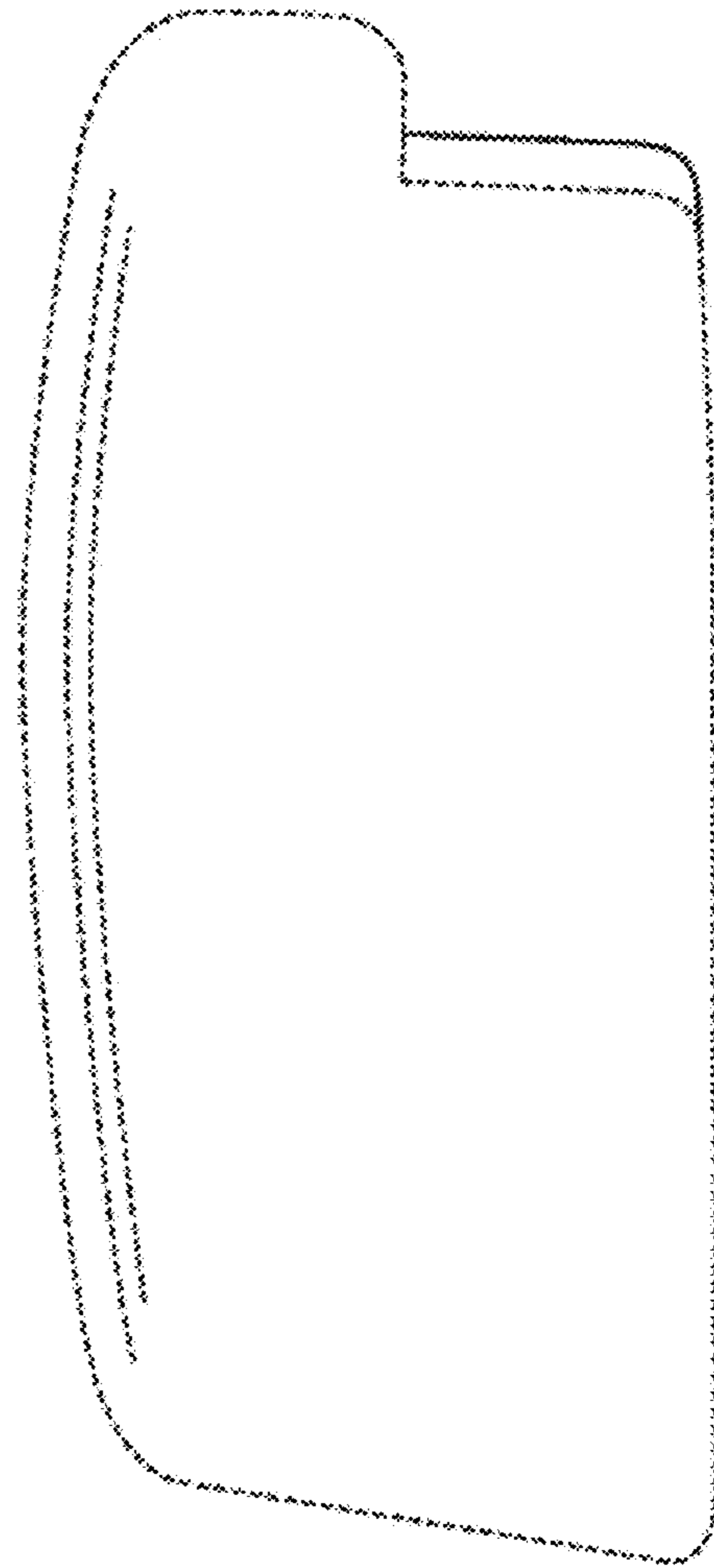


FIG. 3

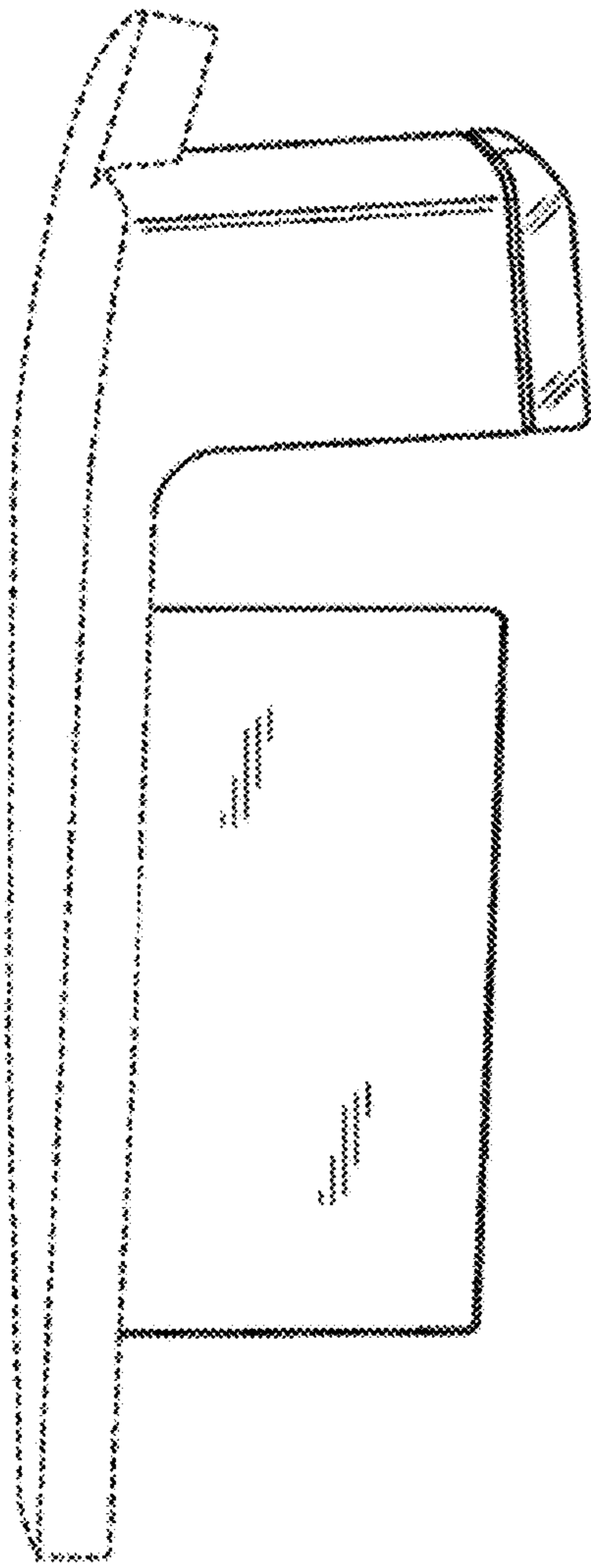


FIG. 4

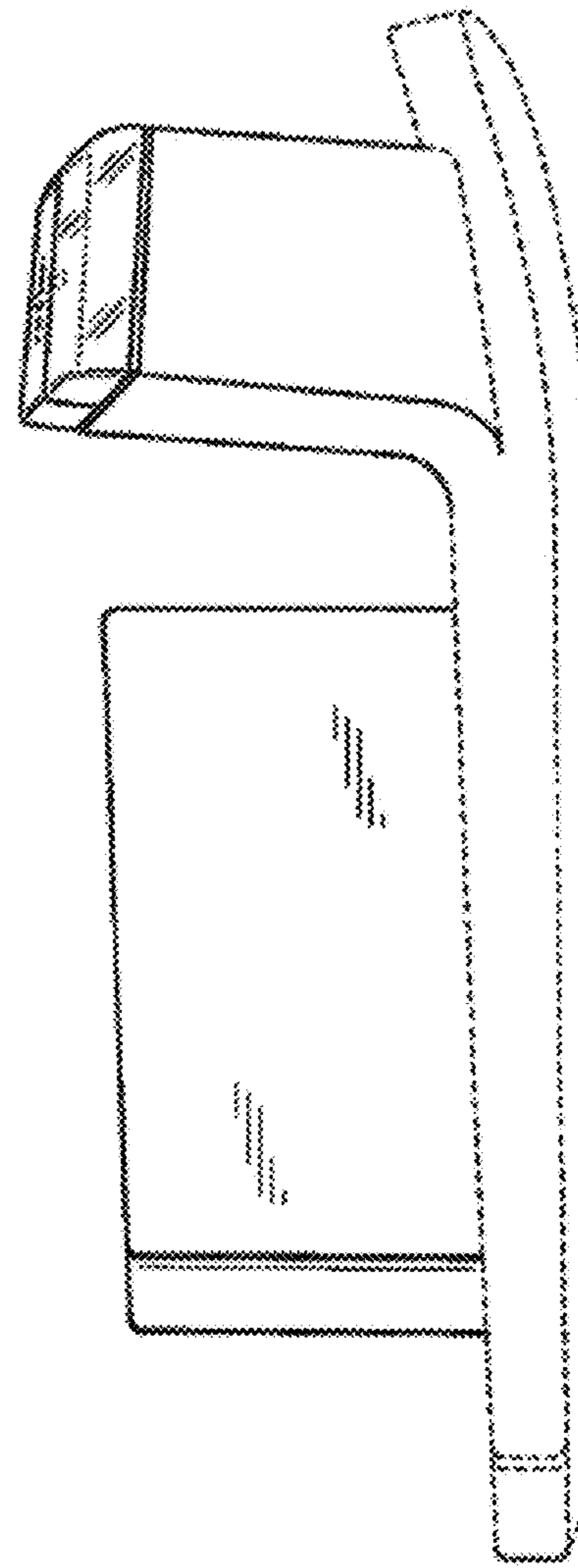


FIG. 5

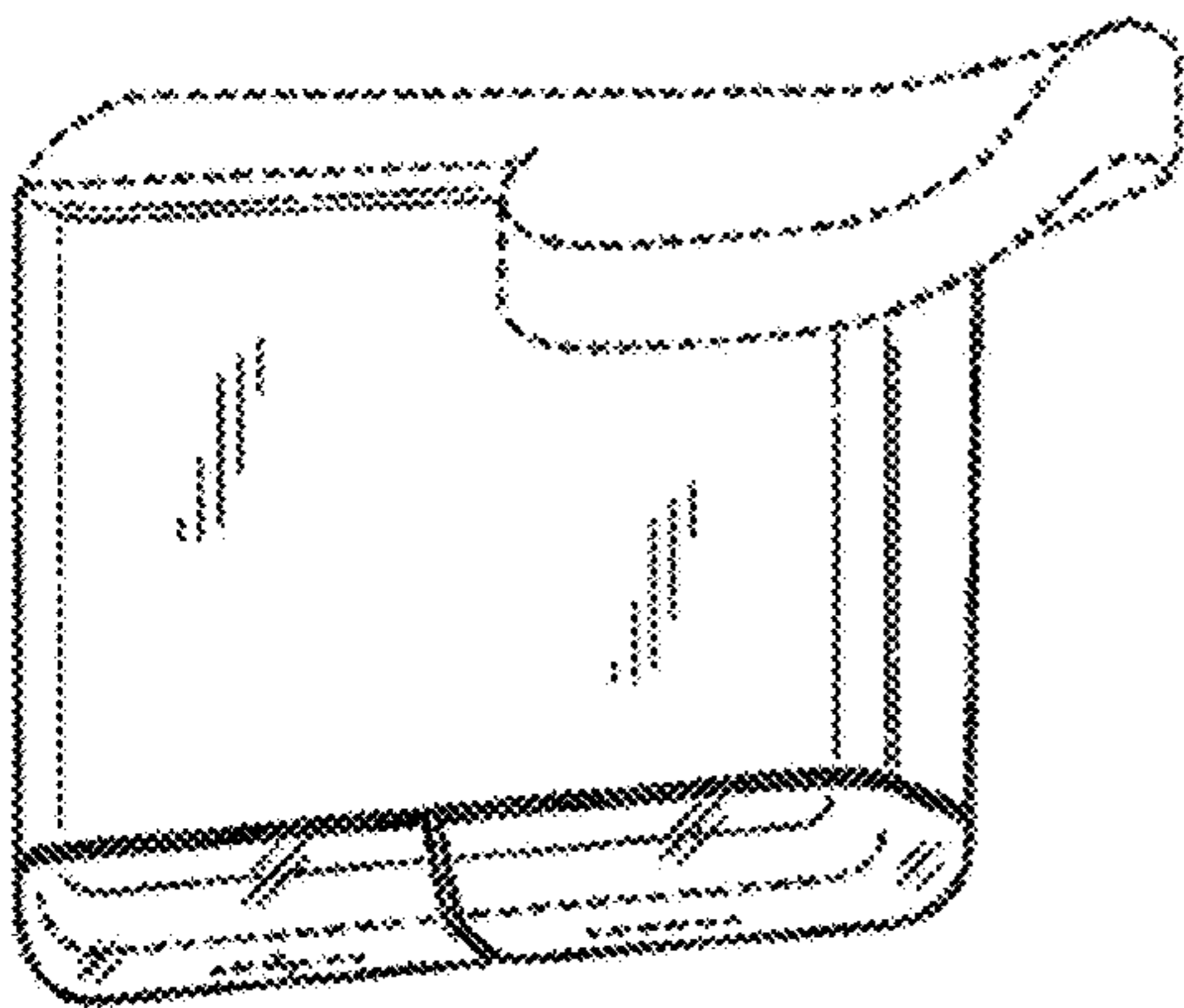


FIG. 6

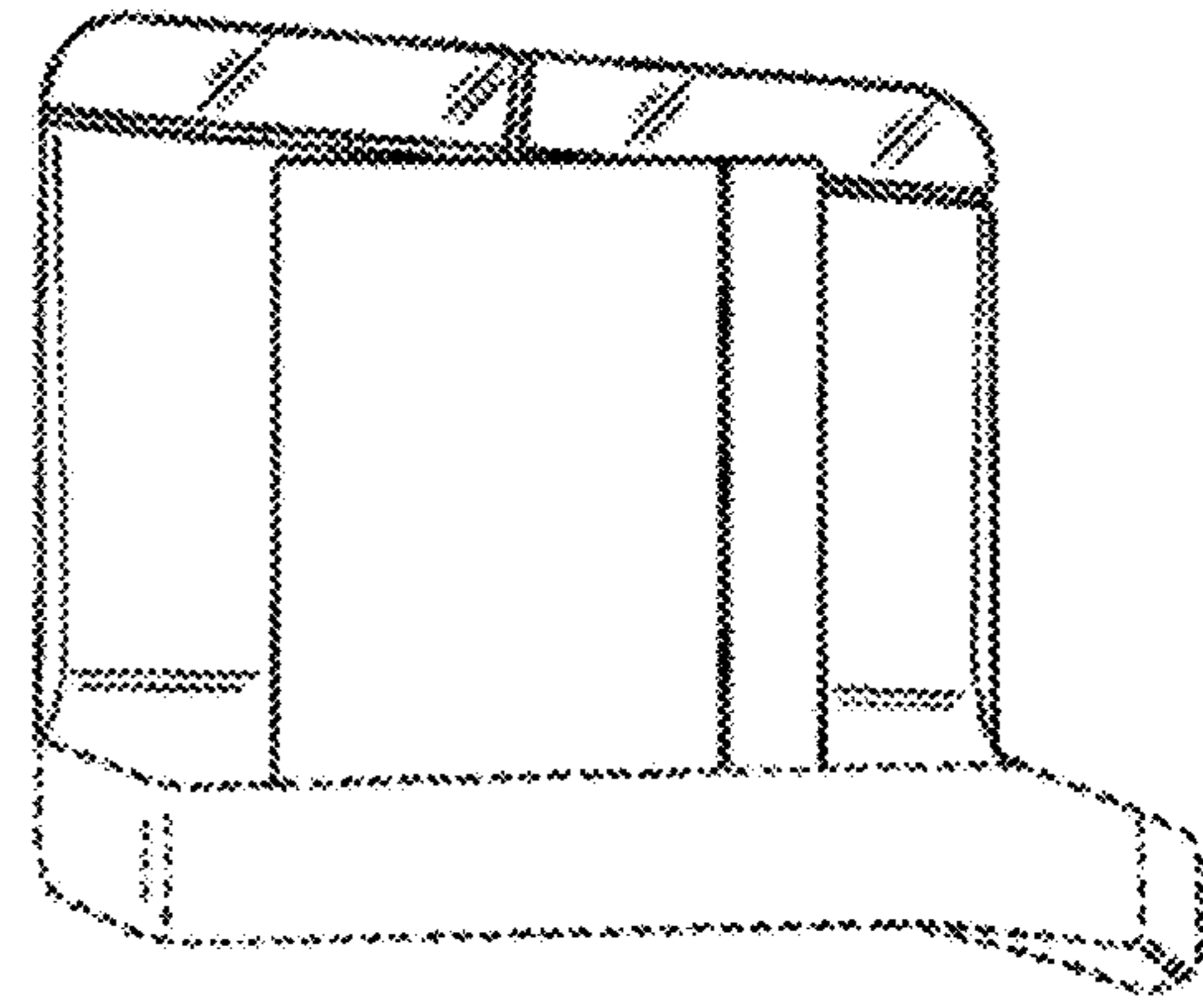


FIG. 7