



US00D915958S

(12) **United States Design Patent** (10) **Patent No.:** **US D915,958 S**
Lee et al. (45) **Date of Patent:** **** Apr. 13, 2021**

(54) **FRONT BUMPER FOR AN AUTOMOBILE** 8,662,566 B1 * 3/2014 Edwards B60R 19/24
296/187.09

(71) Applicants: **Hyundai Motor Company**, Seoul D749,473 S * 2/2016 Lee D12/169
(KR); **Kia Motors Corporation**, Seoul D753,564 S * 4/2016 Frascella D12/169
(KR) 9,566,925 B2 * 2/2017 Hare B60R 19/48
D784,868 S * 4/2017 Yamamoto D12/169
9,707,886 B2 * 7/2017 Dinant B60Q 1/30
(72) Inventors: **Jong Yeop Lee**, Uiwang-si (KR); **Je D793,293 S * 8/2017 Lee D12/169**
Won Seo, Seoul (KR) D807,256 S * 1/2018 Piscitelli D12/169
D817,235 S * 5/2018 Bucher D12/169
(73) Assignees: **Hyundai Motor Company**, Seoul D850,994 S * 6/2019 Dewitt D12/169
(KR); **Kia Motors Corporation**, Seoul D860,075 S * 9/2019 Riggs D12/169
(KR) D860,076 S * 9/2019 Bartels D12/169
D863,104 S * 10/2019 Bennion D12/88
D865,588 S * 11/2019 Hong D12/169
(**) Term: **15 Years** D874,991 S * 2/2020 Park D12/169
D883,151 S * 5/2020 Baum D12/169
(21) Appl. No.: **35/508,325** D890,648 S * 7/2020 Arias D12/169
D890,649 S * 7/2020 Kang D12/169
(22) Filed: **Jul. 5, 2019** 2011/0057480 A1 * 3/2011 Usoro B60R 19/52
296/193.1

(80) **Hague Agreement Data**

Int. Filing Date: **Jul. 5, 2019**
Int. Reg. No.: **DM/204174**
Int. Reg. Date: **Jul. 5, 2019**
Int. Reg. Pub. Date: **Jan. 10, 2020**

(51) **LOC (13) Cl.** **12-16**

(52) **U.S. Cl.**
USPC **D12/169**

(58) **Field of Classification Search**
USPC D12/86, 90, 91, 92, 163, 164, 169, 171,
D12/196, 216
CPC B60R 19/02; B60R 19/18; B60R 19/24;
B60R 19/56; B60R 2019/007
See application file for complete search history.

(56) **References Cited**

U.S. PATENT DOCUMENTS

8,132,851 B2 * 3/2012 Steller B60R 19/12
296/187.04
D679,226 S * 4/2013 Schmeckpeper D12/169
8,491,038 B2 * 7/2013 Challal B62D 25/084
296/187.09

* cited by examiner

Primary Examiner — Darlington Ly

(74) *Attorney, Agent, or Firm* — Mintz Levin Cohn Ferris
Glovsky and Popeo, P.C.; Peter F. Corless; Carolina E.
Säve

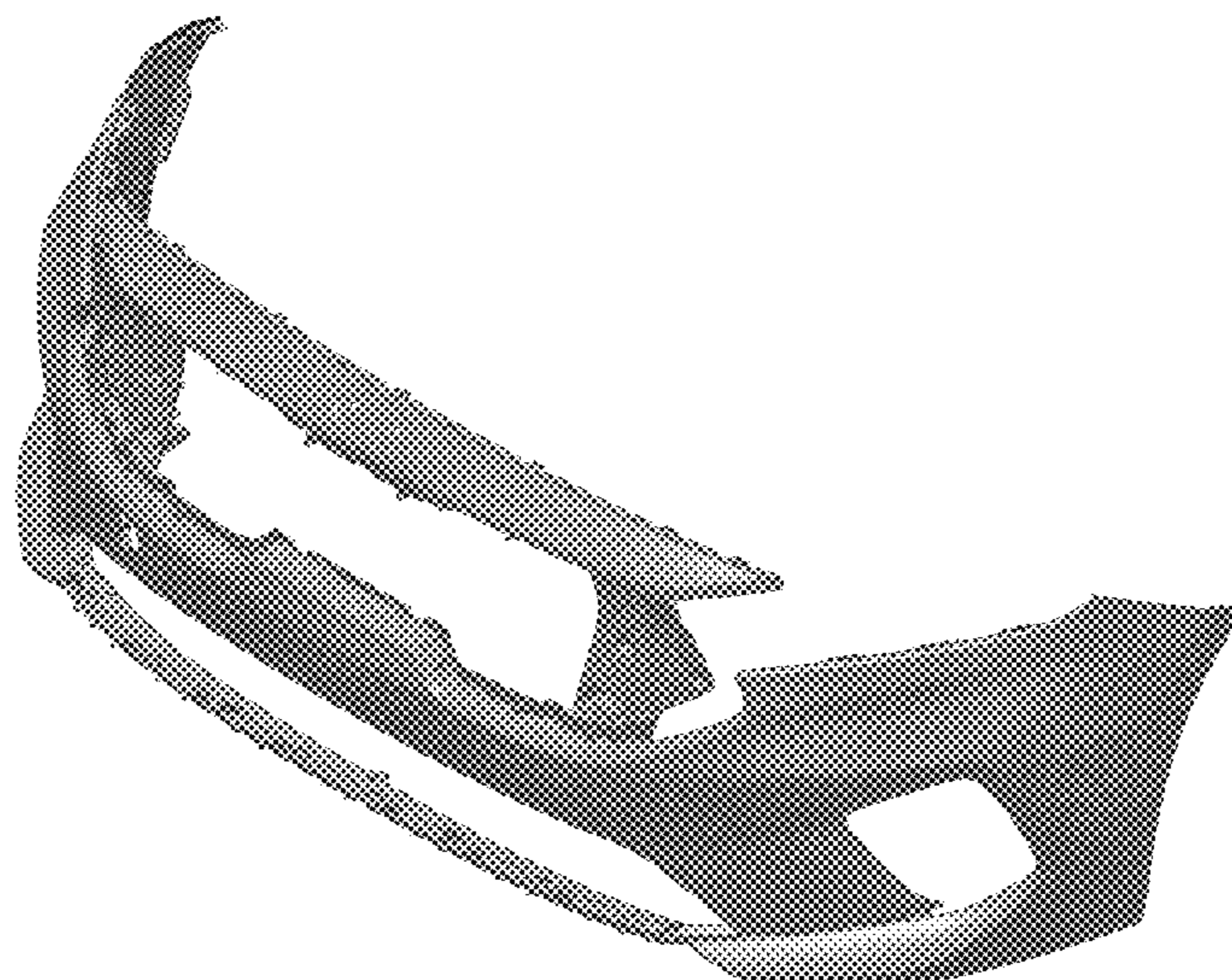
(57) **CLAIM**

The ornamental design for a front bumper for an automobile,
as shown and described.

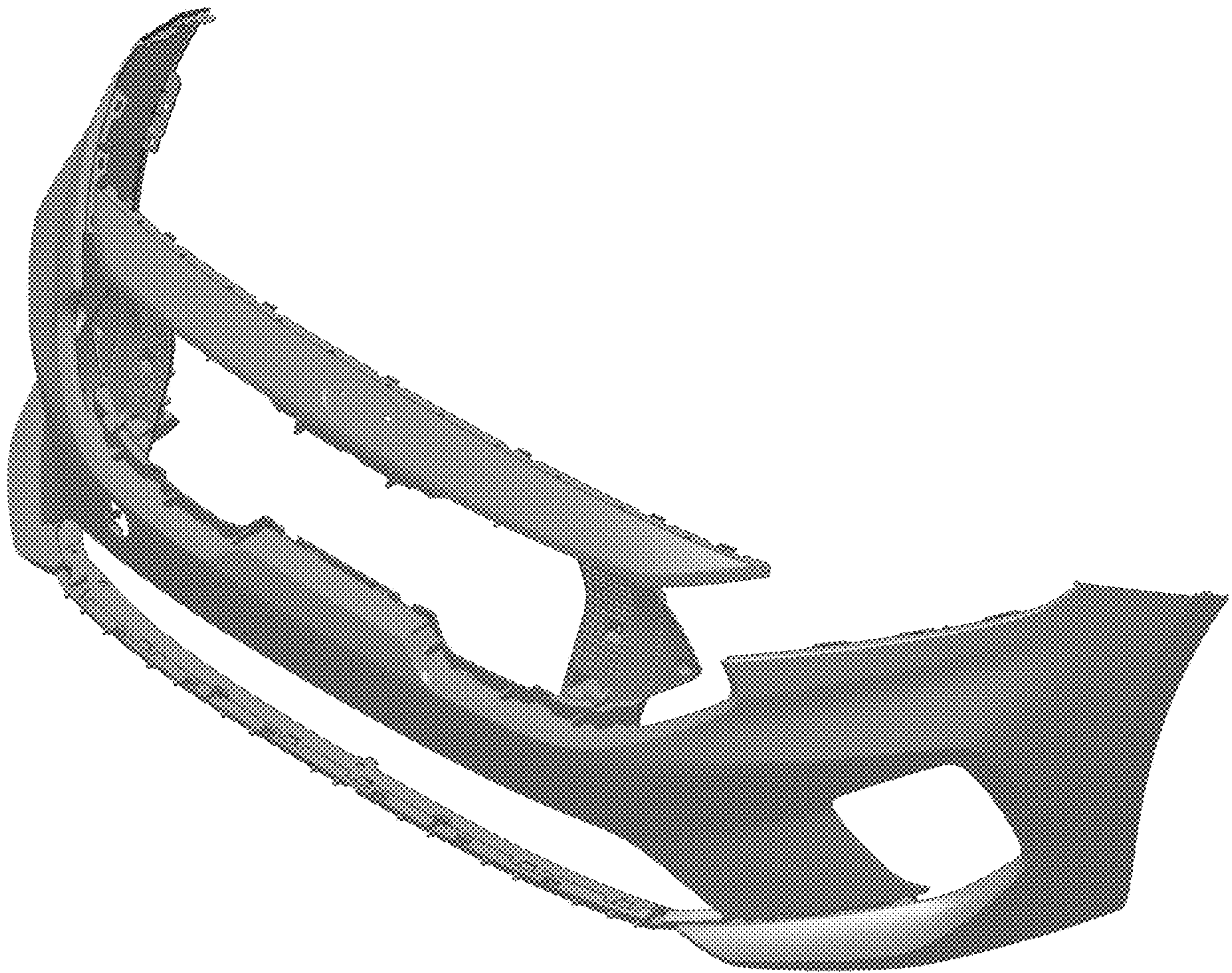
DESCRIPTION

1. Front bumper for an automobile
- 1.1 is a perspective view of a front bumper for an automobile
embodying our new design;
- 1.2 is a front elevation view thereof;
- 1.3 is a rear elevation view thereof;
- 1.4 is a left side elevation view thereof;
- 1.5 is a right side elevation view thereof;
- 1.6 is a top plan view thereof; and
- 1.7 is a bottom plan view thereof.

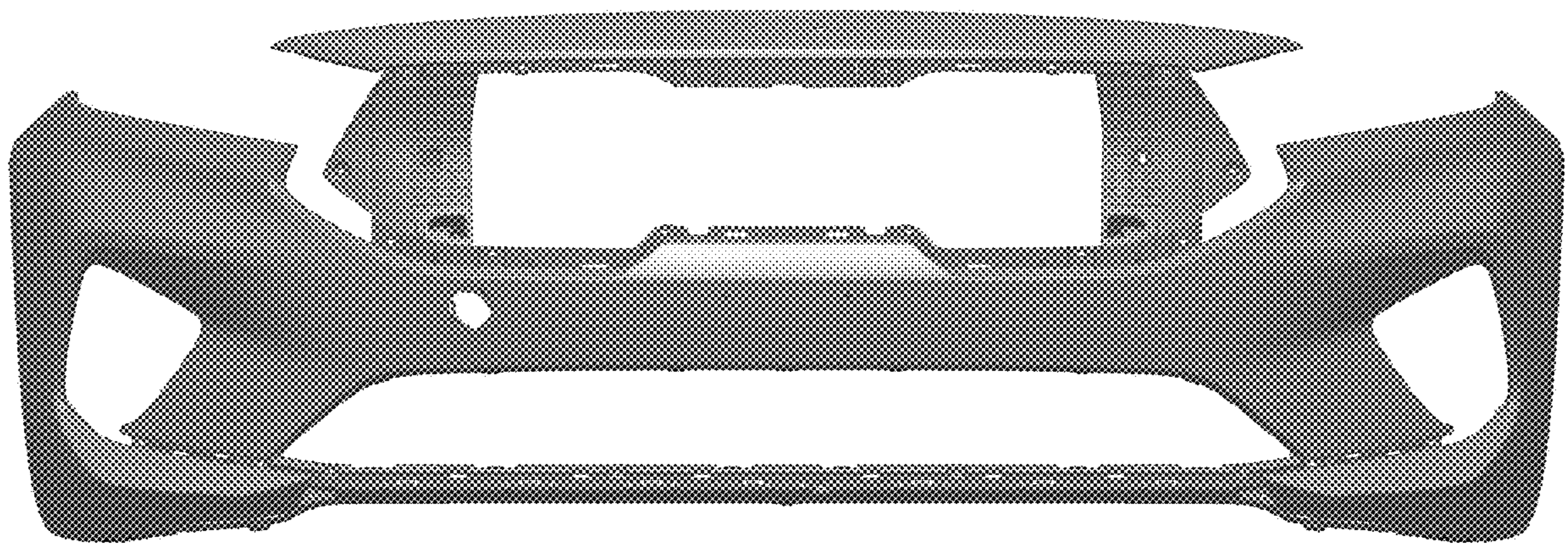
1 Claim, 7 Drawing Sheets



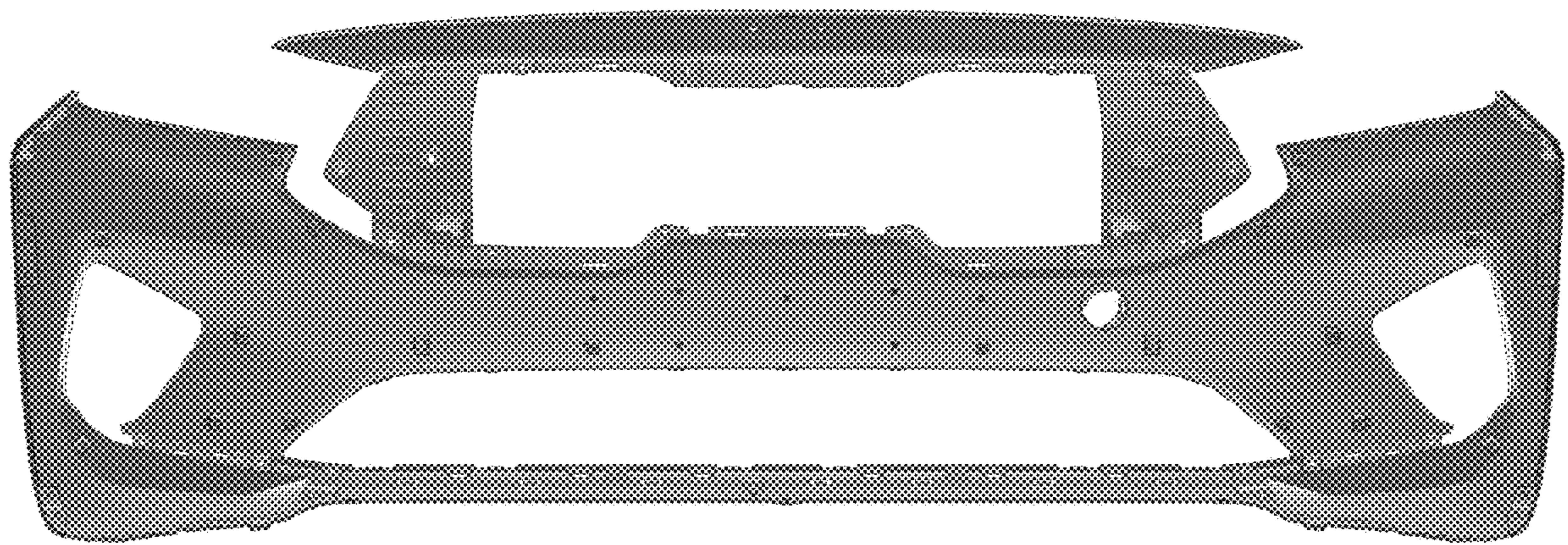
1.1



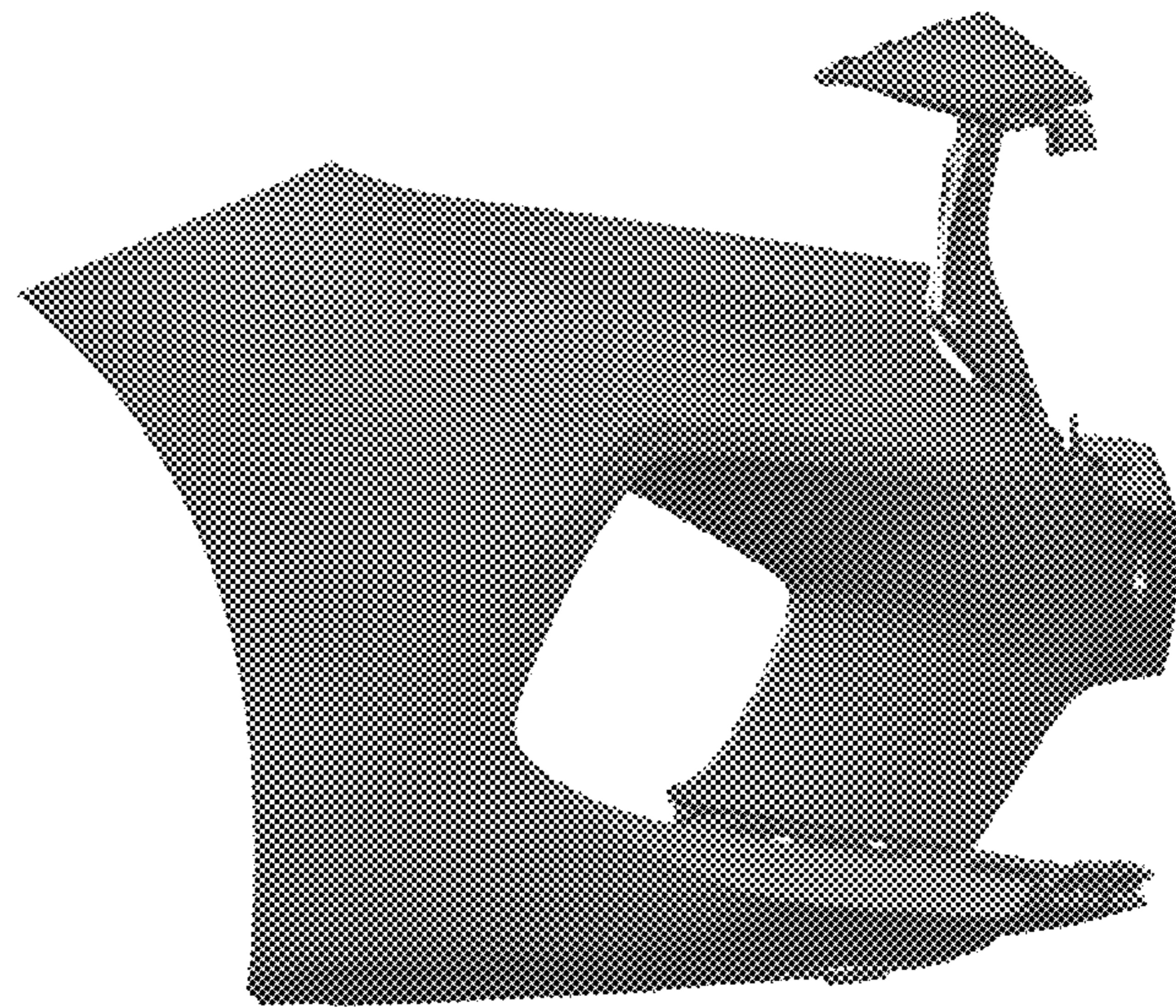
1.2



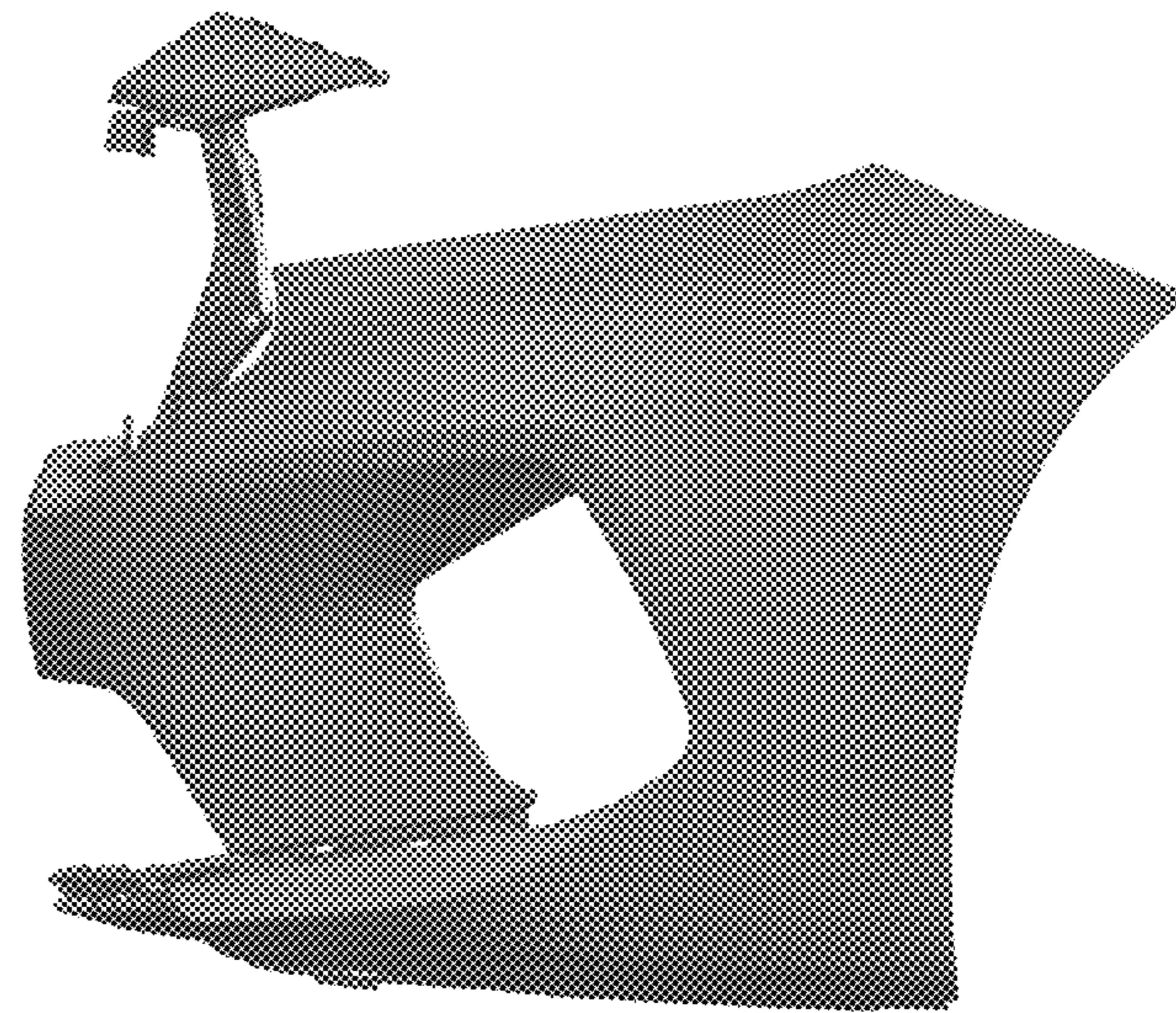
1.3



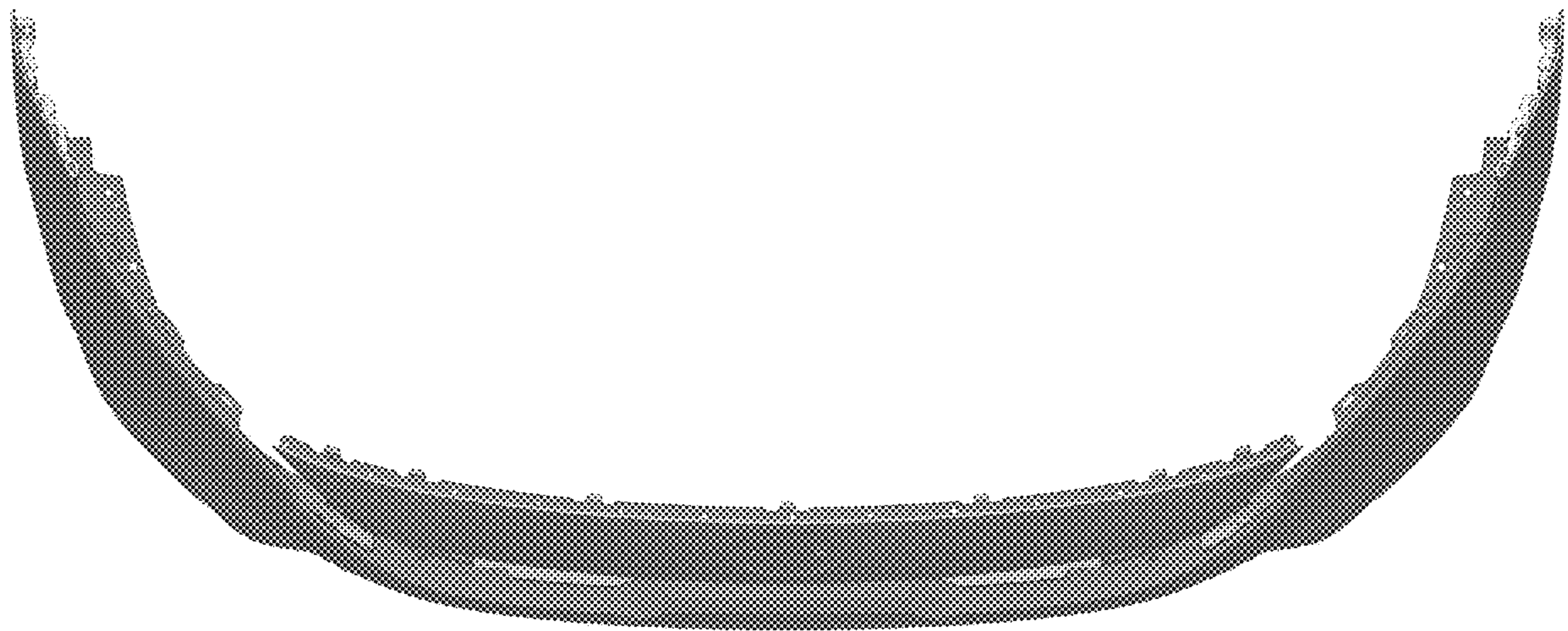
1.4



1.5



1.6



1.7

