



US00D915953S

(12) **United States Design Patent** (10) **Patent No.:** **US D915,953 S**
Zou (45) **Date of Patent:** **** Apr. 13, 2021**

(54) **SET OF DOOR SILL GUARDS**

(71) Applicant: **Yan Zou**, Ruichang (CN)

(72) Inventor: **Yan Zou**, Ruichang (CN)

(**) Term: **15 Years**

(21) Appl. No.: **29/721,009**

(22) Filed: **Jan. 17, 2020**

(51) **LOC (13) Cl.** **12-16**

(52) **U.S. Cl.**
USPC **D12/167**

(58) **Field of Classification Search**
USPC D12/190, 192, 400, 90, 91, 92, 196, 97,
D12/198, 200, 171, 172, 167, 163, 110,
D12/114; 293/128, 102, 1, 140, 126
CPC B60R 13/005; B60R 13/02; B60R 13/04
See application file for complete search history.

(56) **References Cited**

U.S. PATENT DOCUMENTS

D279,468 S *	7/1985	Marrinan	D12/190
D302,962 S *	8/1989	Collani	D12/167
D308,661 S *	6/1990	Bailey	D12/167
D358,358 S *	5/1995	Burroughs	D12/167
D446,484 S *	8/2001	Martel	B60R 13/04
				D12/167
D630,143 S *	1/2011	Stahel	D12/195
D741,757 S *	10/2015	Roberts	D12/167
D828,245 S *	9/2018	Scott	D12/167
D828,792 S *	9/2018	Scott	D12/167
D828,793 S *	9/2018	Scott	D12/167
D828,794 S *	9/2018	Scott	D12/167
D828,795 S *	9/2018	Scott	D12/167
D896,711 S *	9/2020	Scott	D12/167

OTHER PUBLICATIONS

“Mopar Door Sill Guards for 2018-2021 Wrangler”. JL Door Sill Guards., posted date May 3, 2019 [online], [retrieved on Dec. 31, 2020]. Retrieved from the Internet <URL: <https://www.justforjeeps.com/jl-door-sill-guards.html>> (Year: 2019).*

“Mopar 82215419 Door Sill Guards” Mopar., posted date May 1, 2019 [online], [retrieved on Dec. 31, 2020]. Retrieved from the Internet <URL: <https://www.amazon.com/Mopar-82215419-Guards-Global-Black/dp/B07MYMB2D5>> (Year: 2019).*

“88407 Door Sill Protector”. Ventshade., posted date Nov. 8, 2012 [online], [retrieved on Dec. 31, 2020]. Retrieved from the Internet <URL: <https://www.carparts.com/door-sill-protector/ventshade/v1588407>> (Year: 2012).*

* cited by examiner

Primary Examiner — Darlington Ly

Assistant Examiner — Nasim Abdulaziz Ali

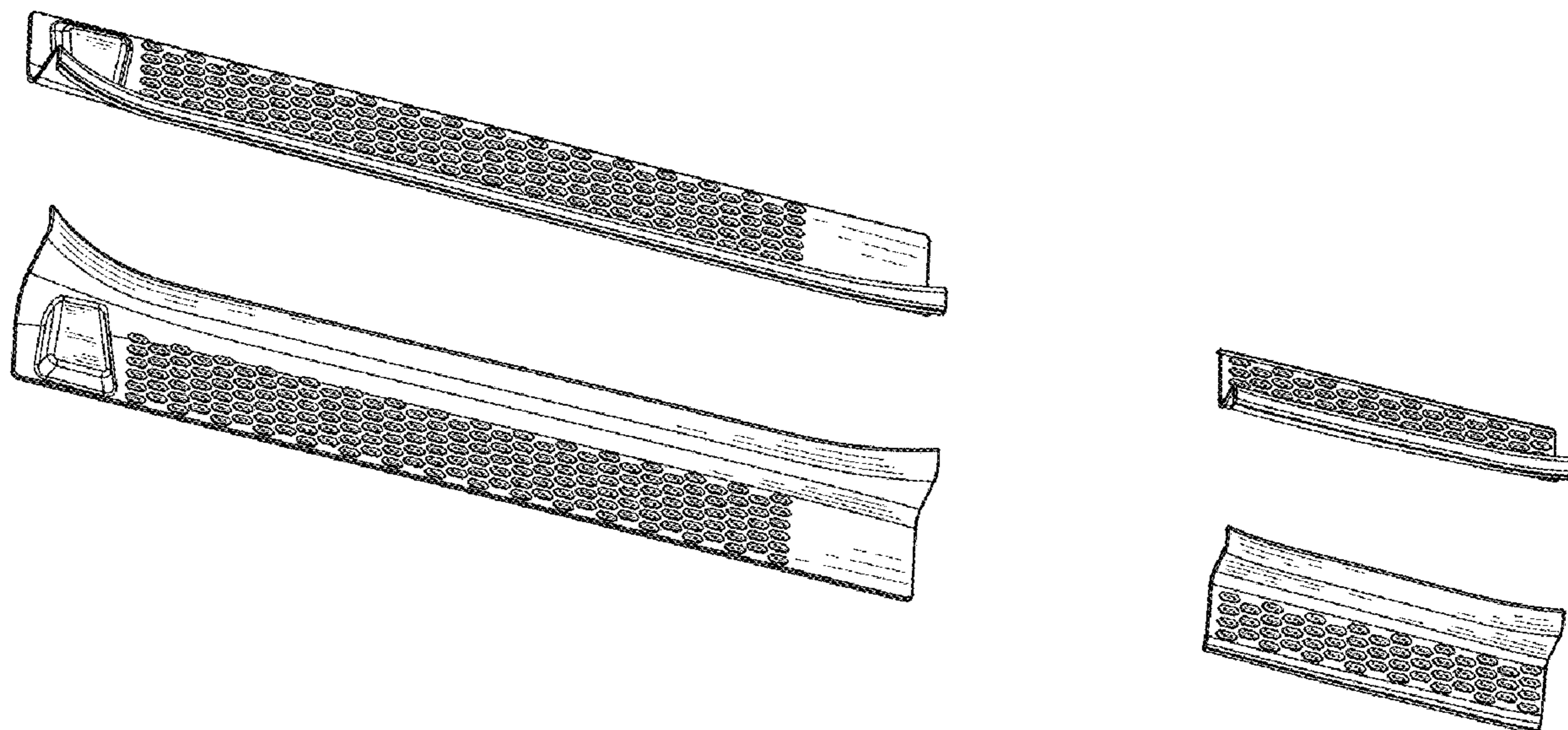
(57) **CLAIM**

The ornamental design for a set of door sill guards, as shown and described.

DESCRIPTION

FIG. 1 is a perspective view of the set of door sill guards showing my new design;
FIG. 2 is another perspective view thereof;
FIG. 3 is a front elevational view thereof;
FIG. 4 is a rear elevational view thereof;
FIG. 5 is a left side elevational view thereof;
FIG. 6 is a right side elevational view thereof;
FIG. 7 is a top plan view thereof; and,
FIG. 8 is a bottom plan view thereof.

1 Claim, 8 Drawing Sheets



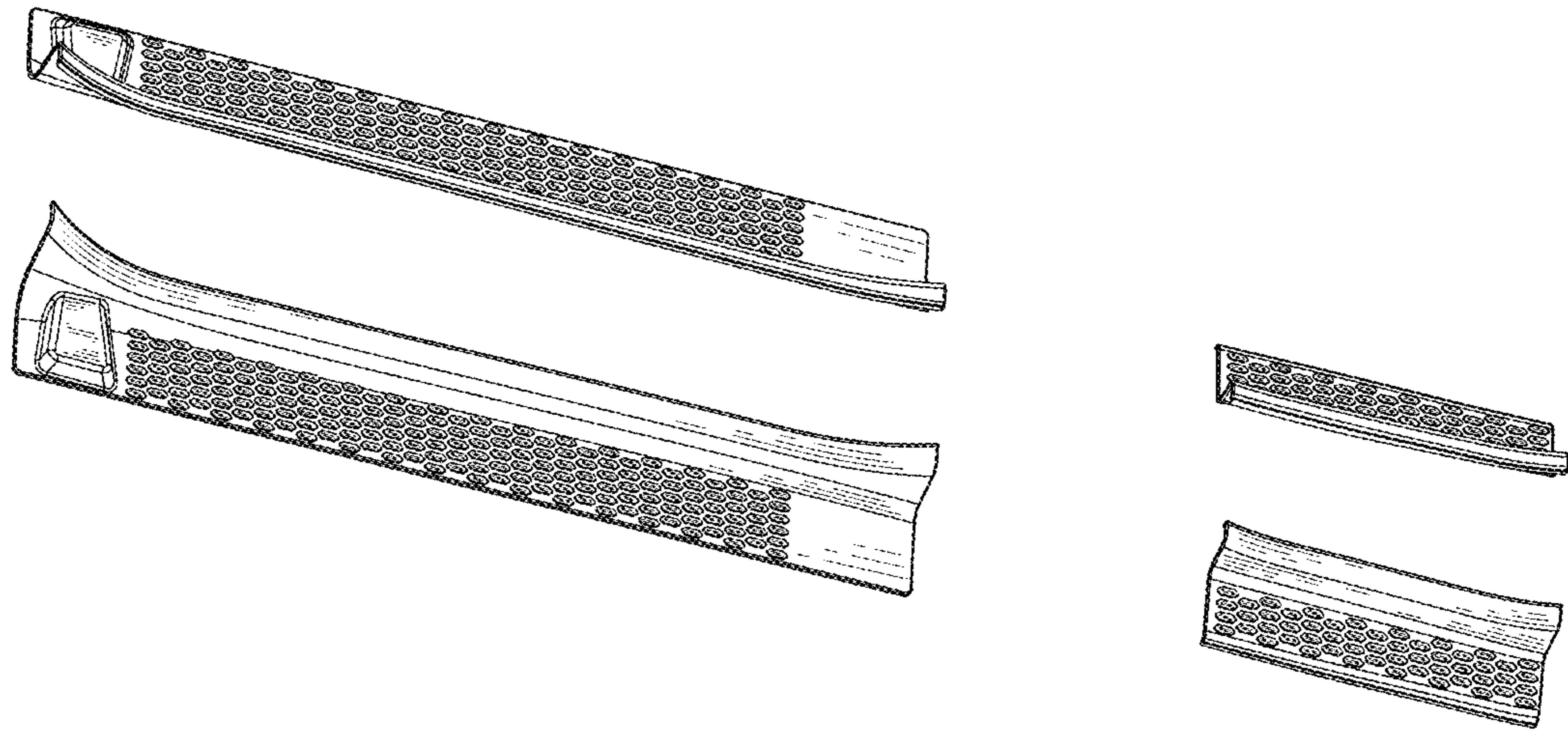


FIG. 1

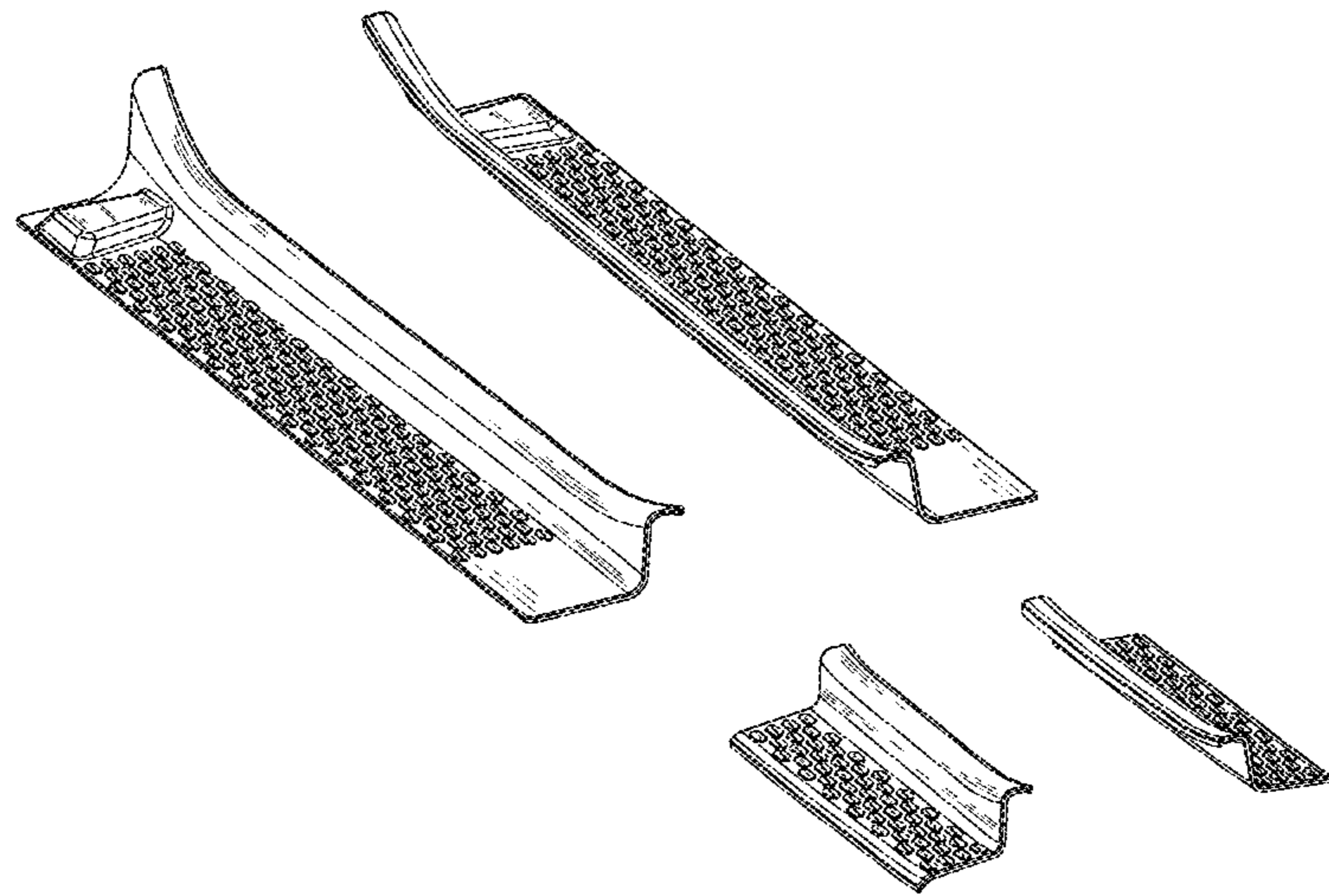


FIG. 2

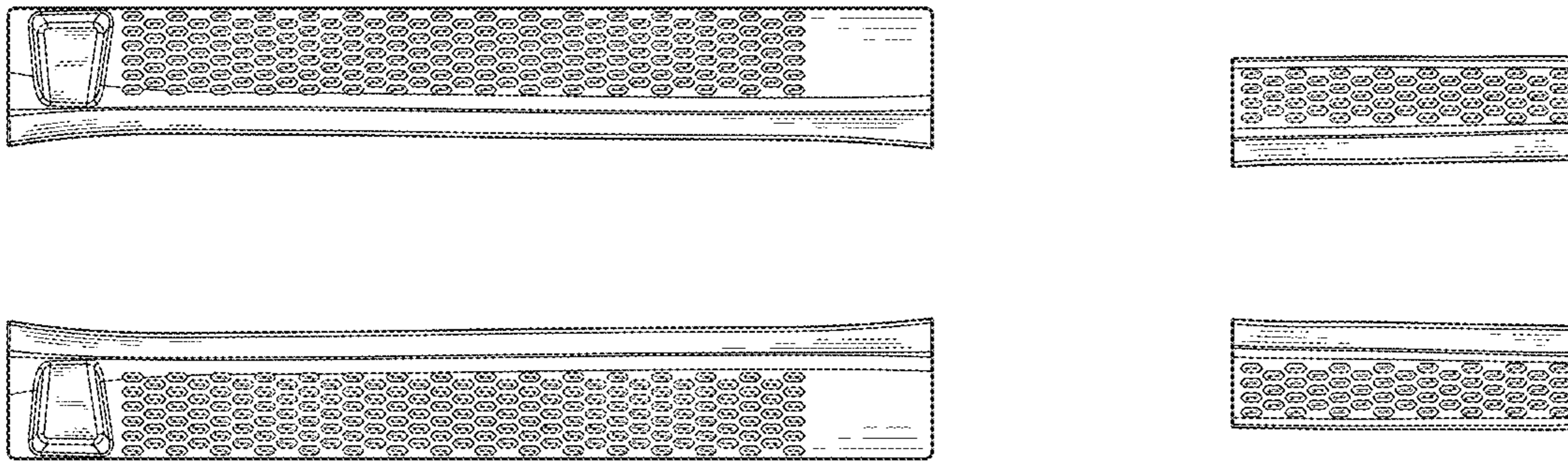


FIG. 3

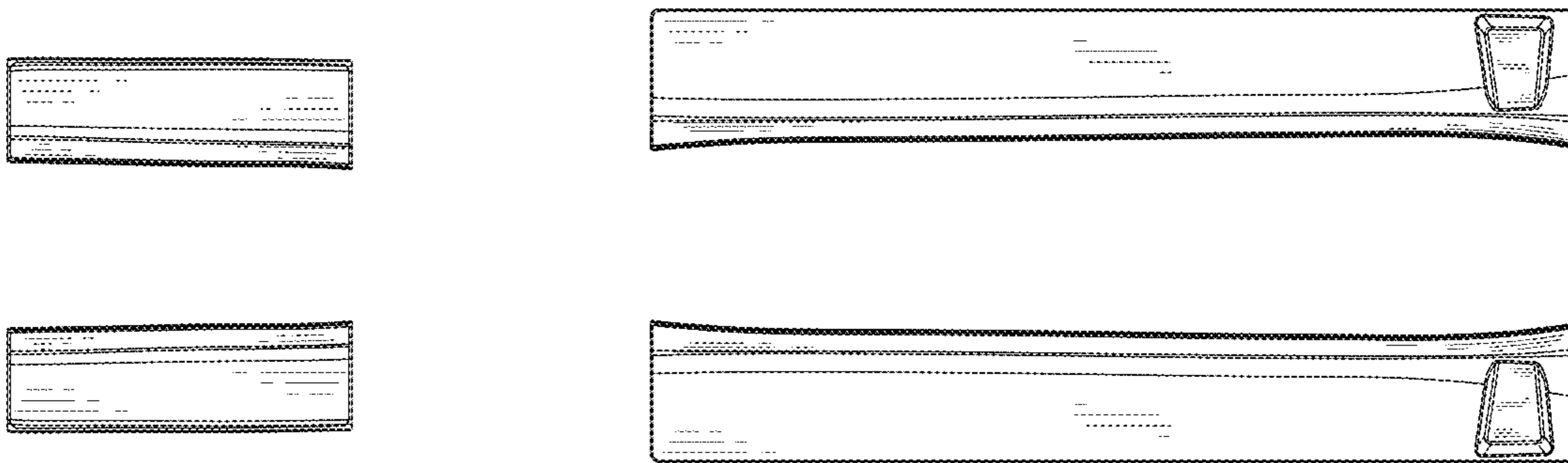


FIG. 4



FIG. 5



FIG. 6

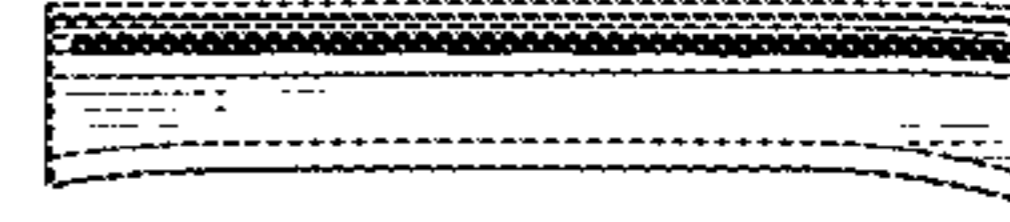
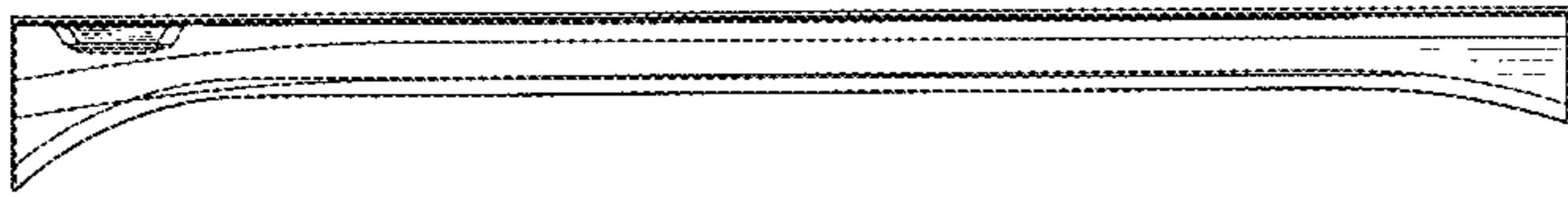


FIG. 7

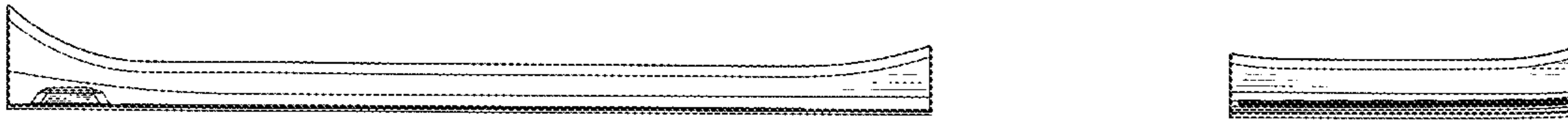


FIG. 8