



US00D915951S

(12) **United States Design Patent** (10) **Patent No.:** **US D915,951 S**  
**Venolia** (45) **Date of Patent:** **\*\* Apr. 13, 2021**

(54) **BIKE RACK**

(71) Applicant: **Vincent Venolia**, Vista, CA (US)

(72) Inventor: **Vincent Venolia**, Vista, CA (US)

(\*\*) Term: **15 Years**

(21) Appl. No.: **29/711,252**

(22) Filed: **Oct. 29, 2019**

(51) **LOC (13) Cl.** ..... **08-10**

(52) **U.S. Cl.**  
USPC ..... **D12/115**

(58) **Field of Classification Search**  
USPC ..... D12/115, 120, 402, 406-408  
CPC ... B62H 3/00; B62H 3/04; B62H 3/08; B62H  
3/10; B62H 3/12; B60R 9/06; B60R 9/10  
See application file for complete search history.

(56) **References Cited**

U.S. PATENT DOCUMENTS

D260,248 S *	8/1981	Gallagher	.....	D12/115
D401,893 S *	12/1998	Denney	.....	D12/115
D456,316 S *	4/2002	Will	.....	D12/115
D585,793 S *	2/2009	Skalka	.....	B62H 3/08
				D12/115
D610,048 S *	2/2010	Sladick	.....	D12/115
D669,398 S *	10/2012	Parkins	.....	D12/115
D670,209 S *	11/2012	Graham	.....	D12/115
D688,166 S *	8/2013	Kedar	.....	D12/115
D767,452 S *	9/2016	Greenblatt	.....	D12/115
D774,422 S *	12/2016	Greenblatt	.....	D12/115
D809,435 S *	2/2018	Gertner	.....	D12/115
D829,611 S *	10/2018	Holiday, III	.....	D12/115
D903,537 S *	12/2020	DeBaker	.....	D12/115
2010/0089956 A1 *	4/2010	Blake	.....	B62J 11/00
				224/413
2018/0126917 A1 *	5/2018	Venolia	.....	B60R 9/048

OTHER PUBLICATIONS

“2020 Kuat Dirtbag Fork Mount Bike Carrier” PinkBike., posted date Jun. 23, 2020 [online], [retrieved on Feb. 24, 2021], Retrieved from the Internet <URL: <https://www.pinkbike.com/buysell/2817668/>> (Year: 2020).\*

“RockyMounts Hotrod Bike Rack” RockyMounts., posted date Mar. 4, 2016 [online], [retrieved on Feb. 24, 2021], Retrieved from the Internet <URL: <https://tinyurl.com/y6uyozod>> (Year: 2016).\*

“Sunlite Bike Block Fork Mount” Sunlite Store., posted date Jun. 10, 2016 [online], [retrieved on Feb. 24, 2021], Retrieved from the Internet <URL: <https://tinyurl.com/y9rhfsrp>> (Year: 2016).\*

\* cited by examiner

*Primary Examiner* — Darlington Ly

*Assistant Examiner* — Nasim Abdulaziz Ali

(74) *Attorney, Agent, or Firm* — Eric Hanscom

(57) **CLAIM**

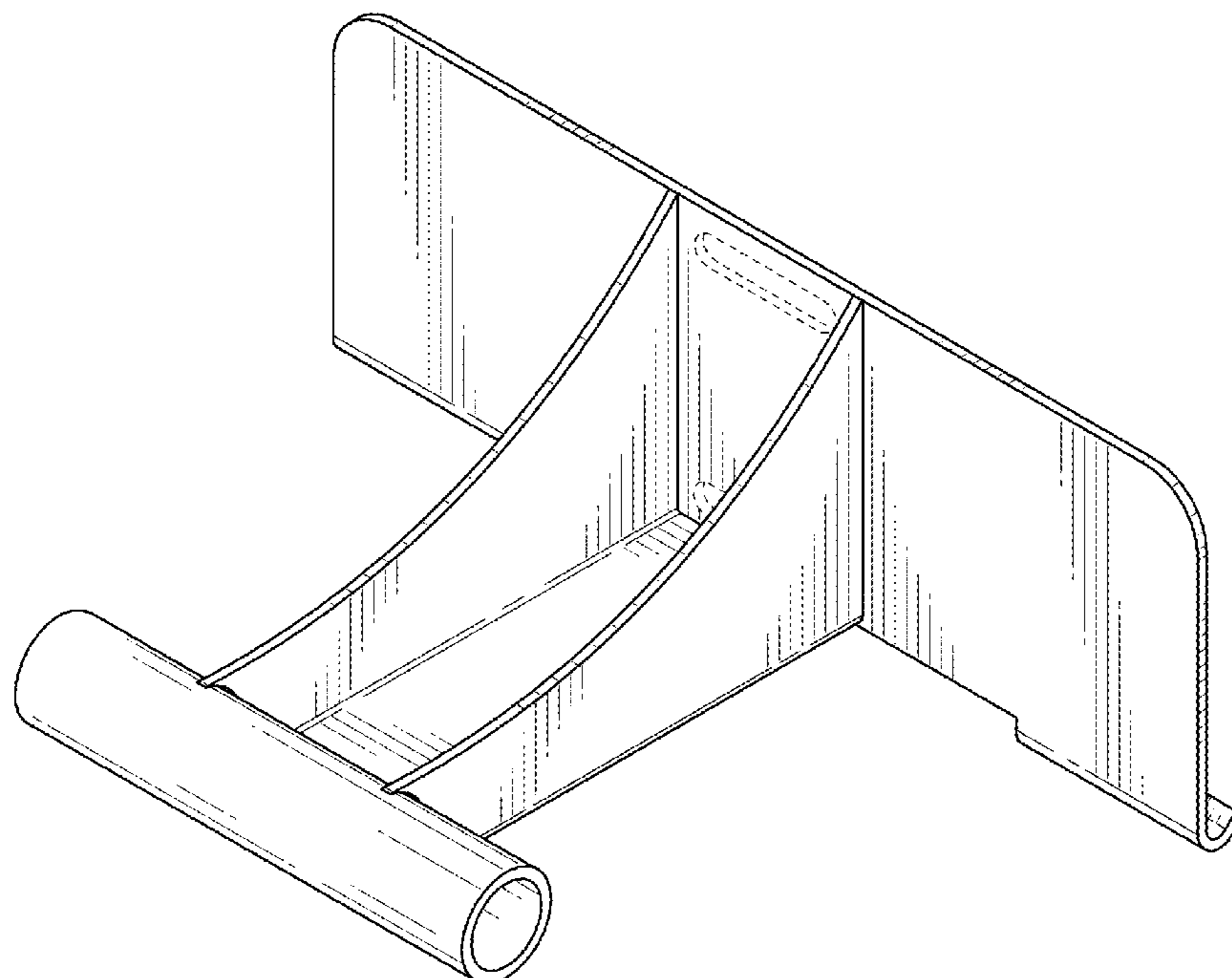
The ornamental design for a bike rack, as shown and described.

**DESCRIPTION**

FIG. 1 is a front perspective view of a bike rack embodying my new design;  
FIG. 2 is a front elevation view thereof;  
FIG. 3 is a rear elevation view thereof;  
FIG. 4 is a left-side elevation view thereof;  
FIG. 5 is a right-side elevation view thereof;  
FIG. 6 is a top plan view thereof; and,  
FIG. 7 is a bottom plan view thereof.

The broken lines in the drawings illustrate portions of the bike rack that form no part of the claimed design.

**1 Claim, 5 Drawing Sheets**



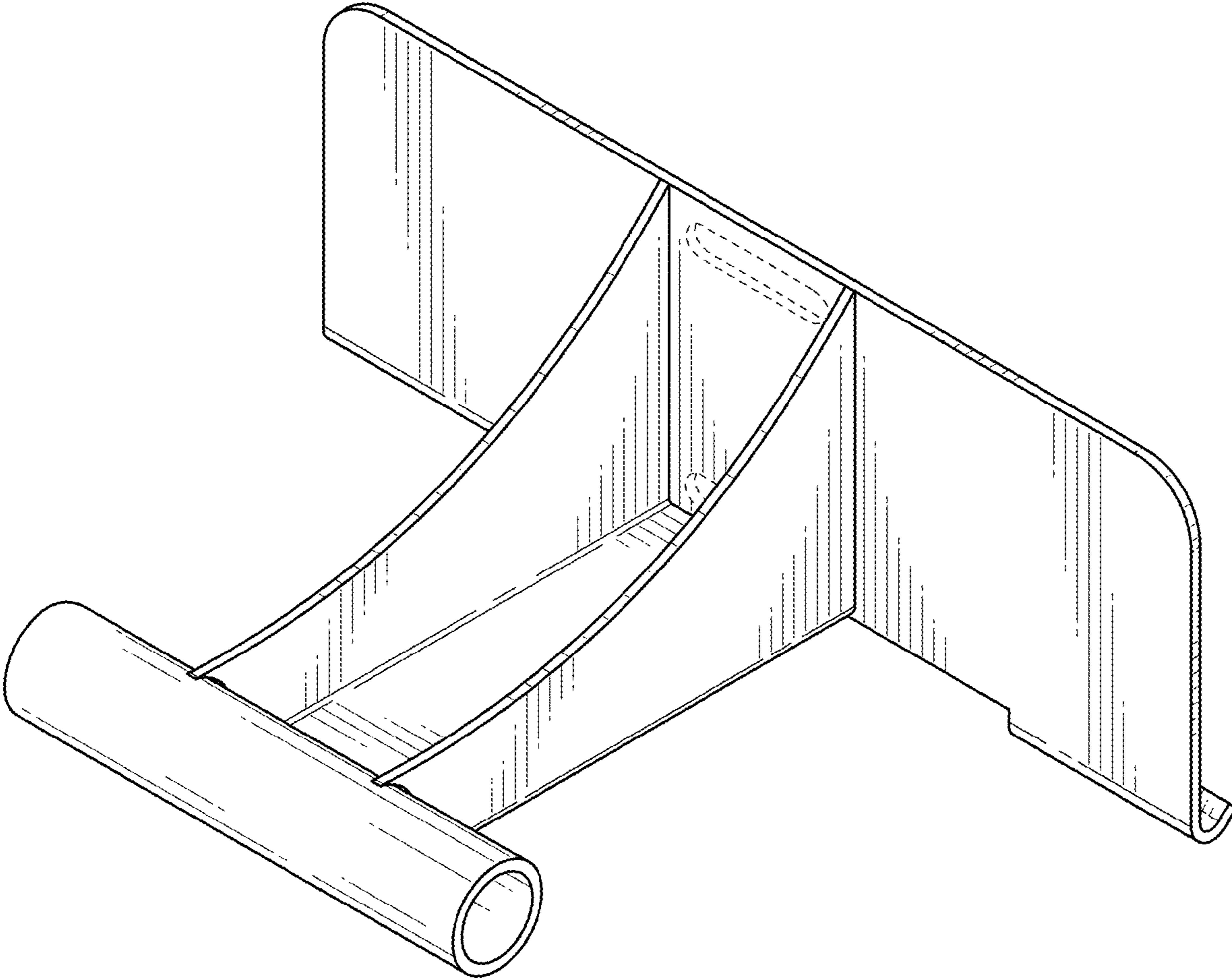


FIG. 1

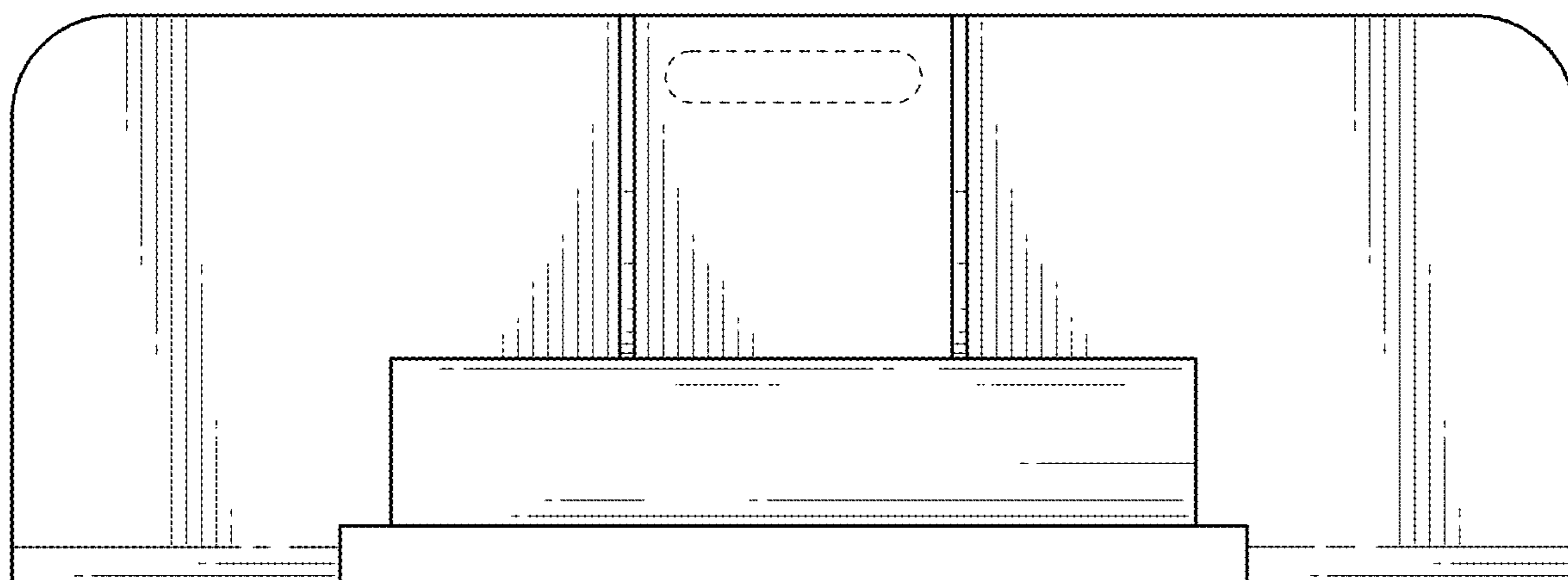


FIG. 2

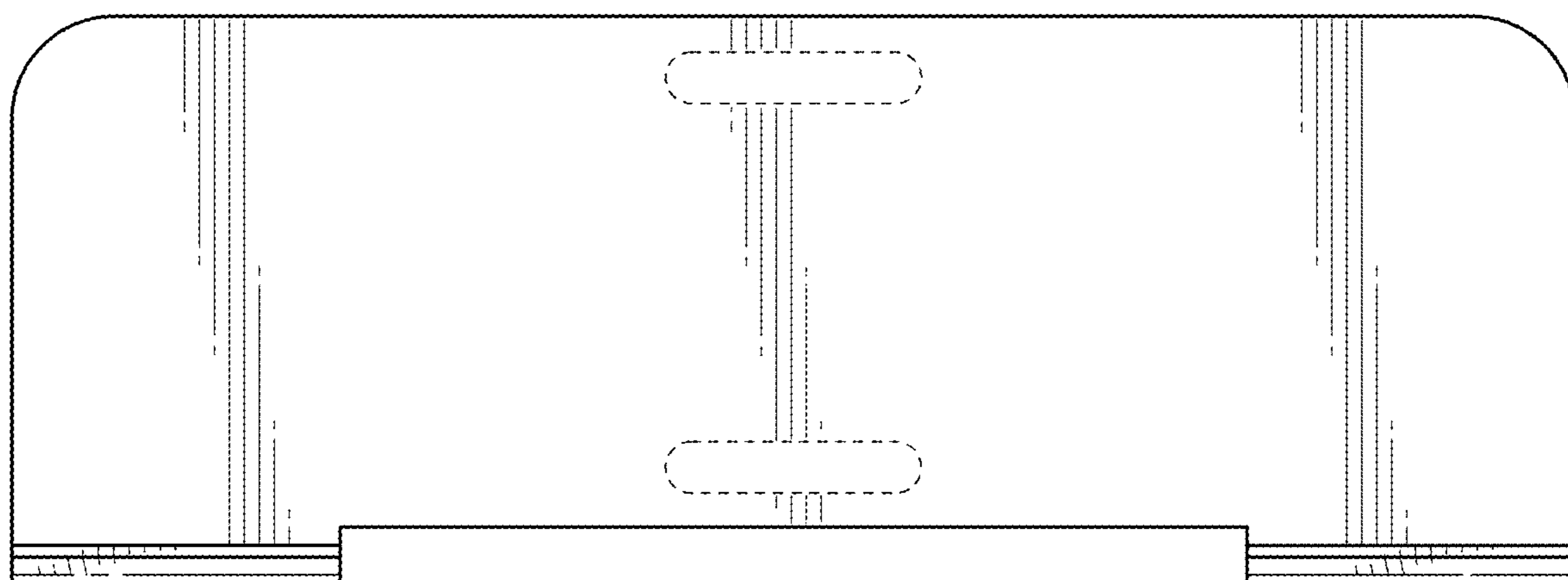


FIG. 3

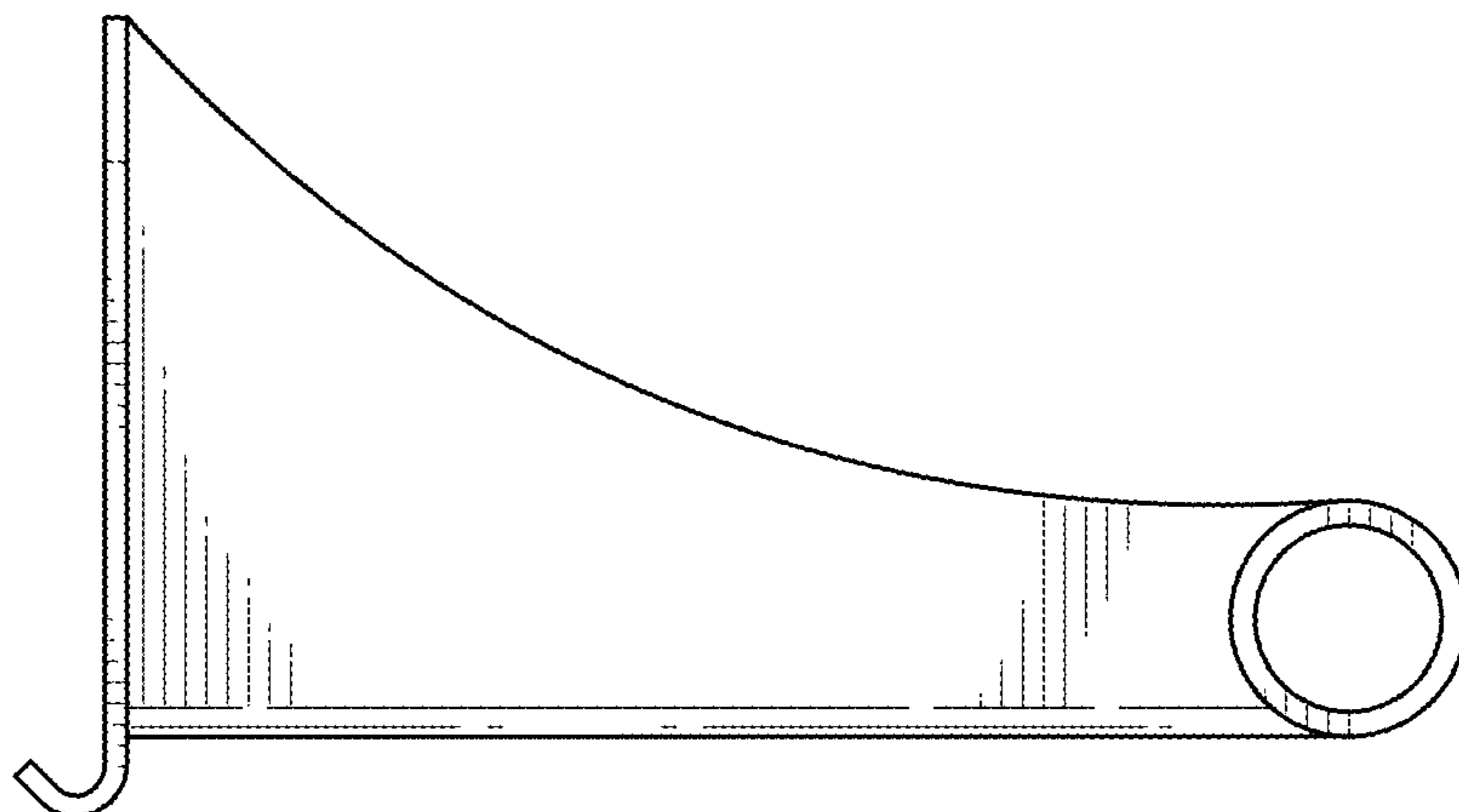


FIG. 4

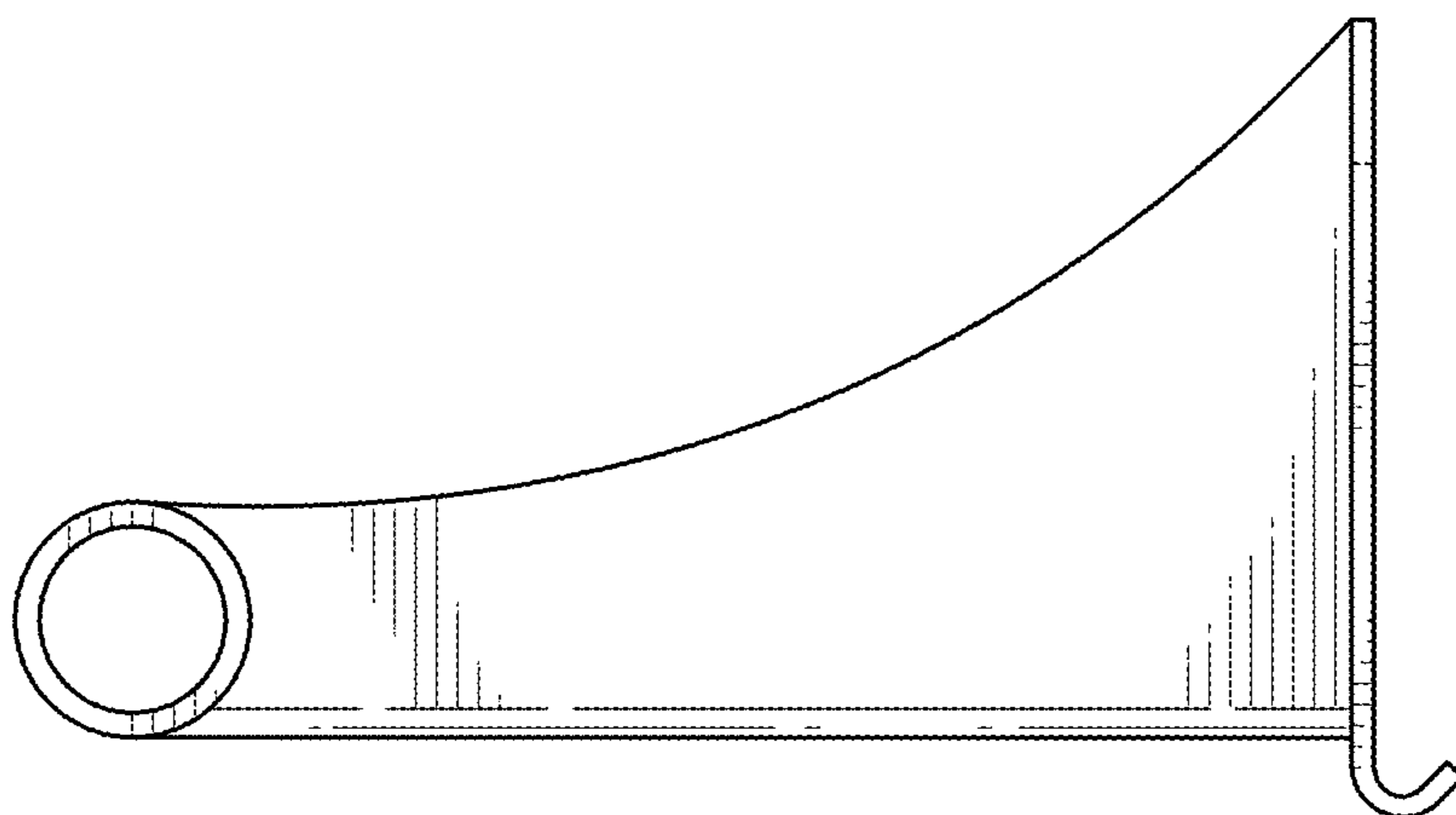


FIG. 5

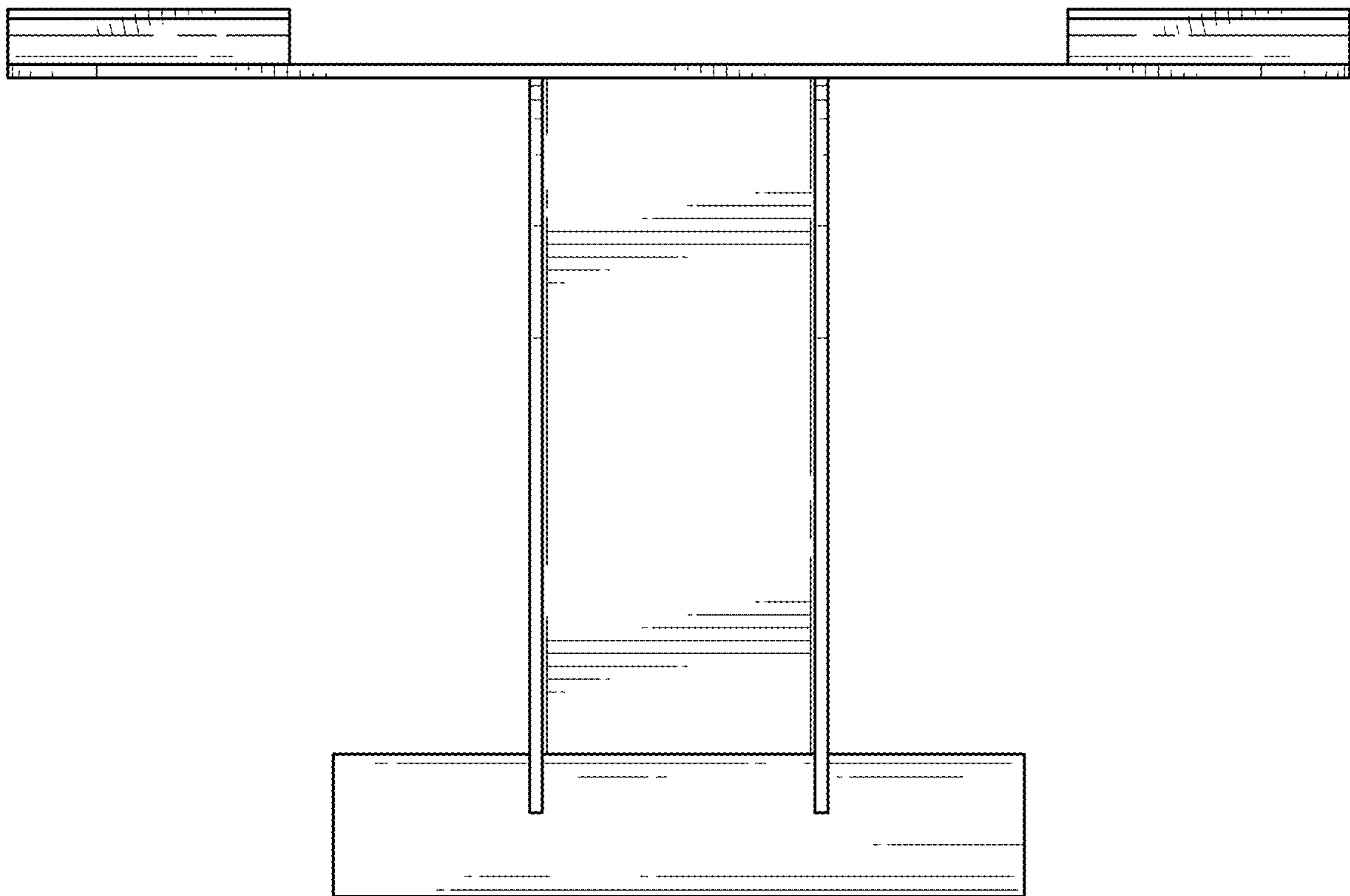


FIG. 6

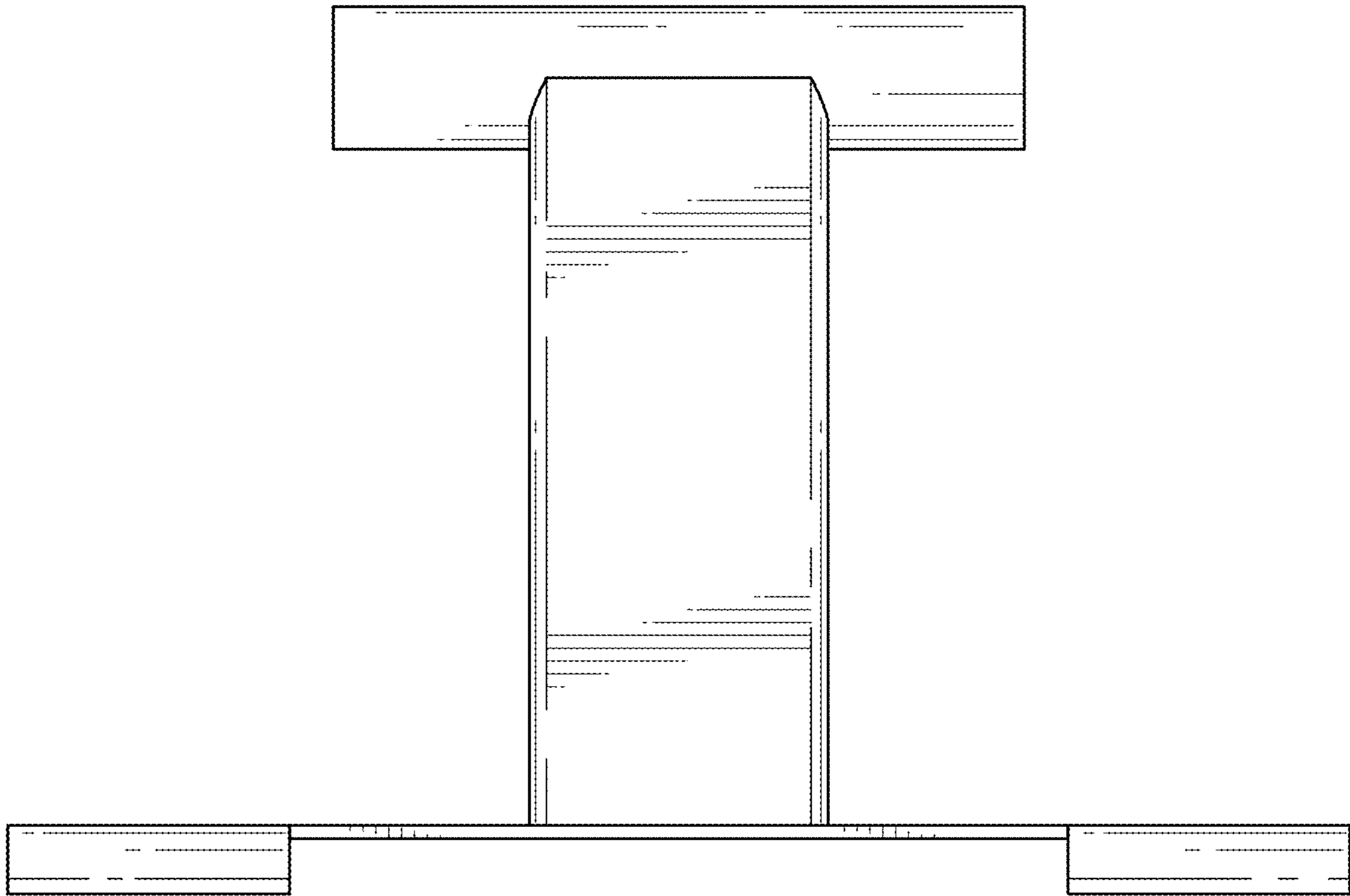


FIG. 7