



US00D915950S

(12) **United States Design Patent**  
**Kiska**

(10) **Patent No.:** **US D915,950 S**

(45) **Date of Patent:** **\*\* Apr. 13, 2021**

- (54) **MOTOR VEHICLE SWITCH**
- (71) Applicant: **KTM AG**, Mattighofen (AT)
- (72) Inventor: **Gerald Kiska**, Anif-Salzburg (AT)
- (73) Assignee: **KTM AG**, Mattighofen (AT)
- (\*\*) Term: **15 Years**
- (21) Appl. No.: **29/711,888**
- (22) Filed: **Nov. 4, 2019**
- (51) **LOC (13) Cl.** ..... **12-16**
- (52) **U.S. Cl.**  
USPC ..... **D12/114; D12/174**
- (58) **Field of Classification Search**  
USPC ..... D12/114, 126, 174, 178, 179; D13/158,  
D13/174  
CPC ..... B62K 11/14; B62K 23/00; B62K 23/02;  
H01H 9/02; H01H 9/04; H01H 9/06;  
H01H 9/16; H01H 9/18; H01H 2009/066;  
H01H 2009/068  
See application file for complete search history.

(56) **References Cited**

**U.S. PATENT DOCUMENTS**

6,631,656	B2 *	10/2003	Ase	.....	B62J 6/16 74/551.8
8,006,798	B2 *	8/2011	Portelance	.....	B62K 5/027 180/336
8,357,864	B2 *	1/2013	Murasawa	.....	B62K 23/02 200/61.88
8,447,436	B2 *	5/2013	Molinaro	.....	B62K 11/14 701/1
8,686,305	B2 *	4/2014	Kodaira	.....	B62K 11/14 200/61.54
9,018,551	B2 *	4/2015	Nakada	.....	B62K 23/02 200/61.54
D729,710	S *	5/2015	Iwata	.....	D12/179
9,457,866	B2 *	10/2016	Osanai	.....	G05G 1/01

9,676,440	B2 *	6/2017	Ichikawa	.....	G05G 1/02
D857,560	S *	8/2019	Watanabe	.....	D12/114
2001/0022265	A1 *	9/2001	Ase	.....	B62K 23/02 200/61.54
2005/0103144	A1 *	5/2005	Tatewaki	.....	B62K 11/14 74/473.3
2007/0051552	A1 *	3/2007	Reed	.....	B62K 11/14 180/333
2007/0235315	A1 *	10/2007	Tozuka	.....	B62K 23/02 200/571
2010/0059304	A1 *	3/2010	Deguchi	.....	B62K 23/02 180/336
2010/0270135	A1 *	10/2010	Murasawa	.....	B60K 20/06 200/61.88
2011/0108397	A1 *	5/2011	Kodaira	.....	B62K 11/14 200/61.54
2013/0105285	A1 *	5/2013	Nakada	.....	B62K 11/14 200/61.54

(Continued)

*Primary Examiner* — Selina Sikder

(74) *Attorney, Agent, or Firm* — Gregory L. Mayback;  
Dickinson Wright PLLC

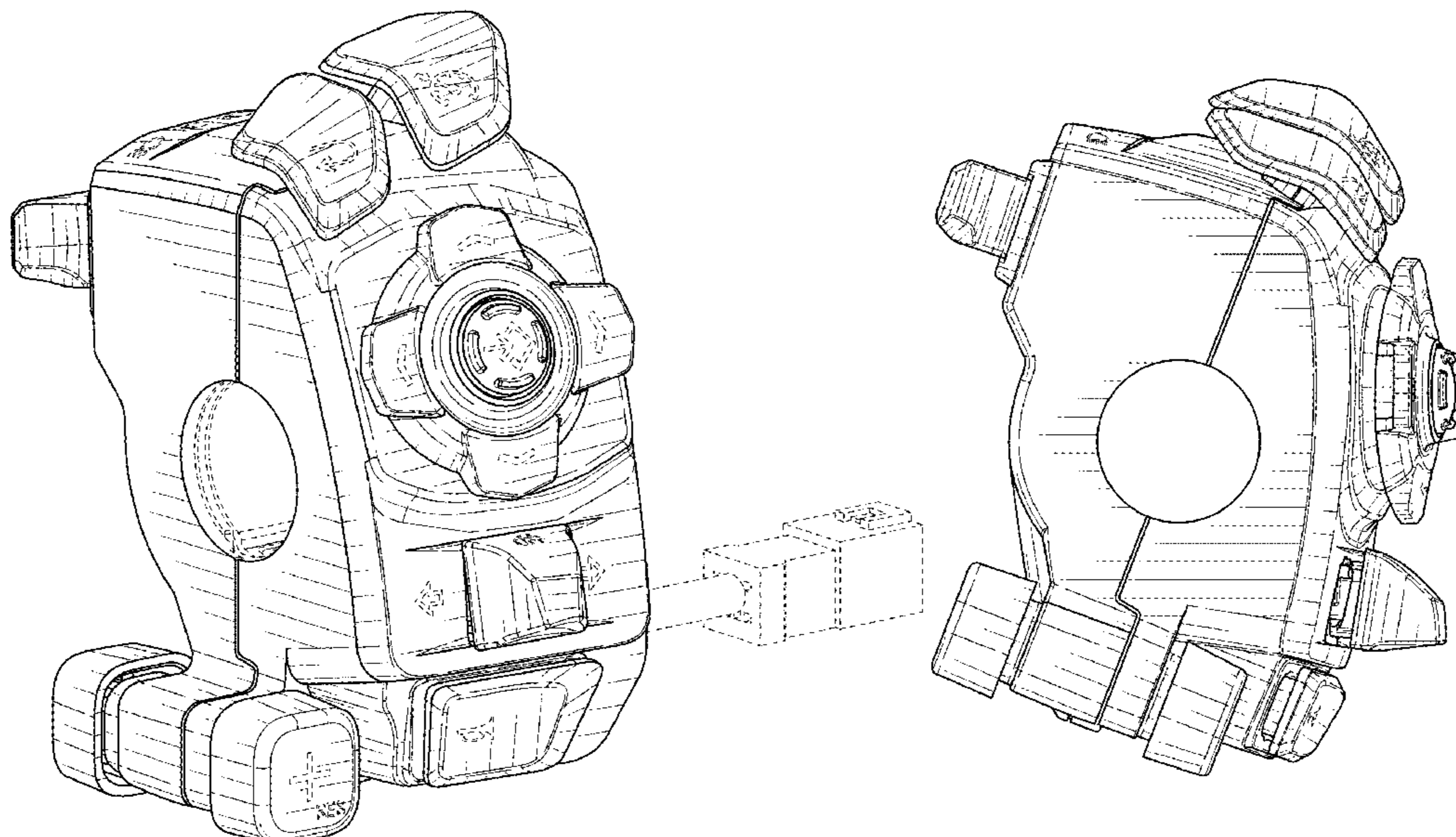
(57) **CLAIM**

The ornamental design for a motor vehicle switch, as shown and described.

**DESCRIPTION**

FIG. 1 is a front-left perspective view of the motor vehicle switch;  
 FIG. 2 is a front view thereof;  
 FIG. 3 is a back view thereof;  
 FIG. 4 is a left side view thereof;  
 FIG. 5 is a right side view thereof;  
 FIG. 6 is a top view thereof; and,  
 FIG. 7 is a bottom view thereof.  
 The broken lines shown in the drawings illustrate portions of the motor vehicle switch that form no part of the claimed design.

**1 Claim, 6 Drawing Sheets**



(56)

**References Cited**

U.S. PATENT DOCUMENTS

2013/0256103	A1 *	10/2013	Nakada .....	B62K 11/14 200/61.54
2015/0274257	A1 *	10/2015	Sakamoto .....	B62K 23/02 74/473.12
2016/0059924	A1 *	3/2016	Watanabe .....	B62K 11/14 200/5 A
2017/0361894	A1 *	12/2017	Gahlert .....	G06F 3/033
2020/0010139	A1 *	1/2020	Yamazaki .....	B62K 11/14
2020/0062332	A1 *	2/2020	Osanai .....	B62K 11/14
2020/0339211	A1 *	10/2020	Kaida .....	B62K 11/14

\* cited by examiner

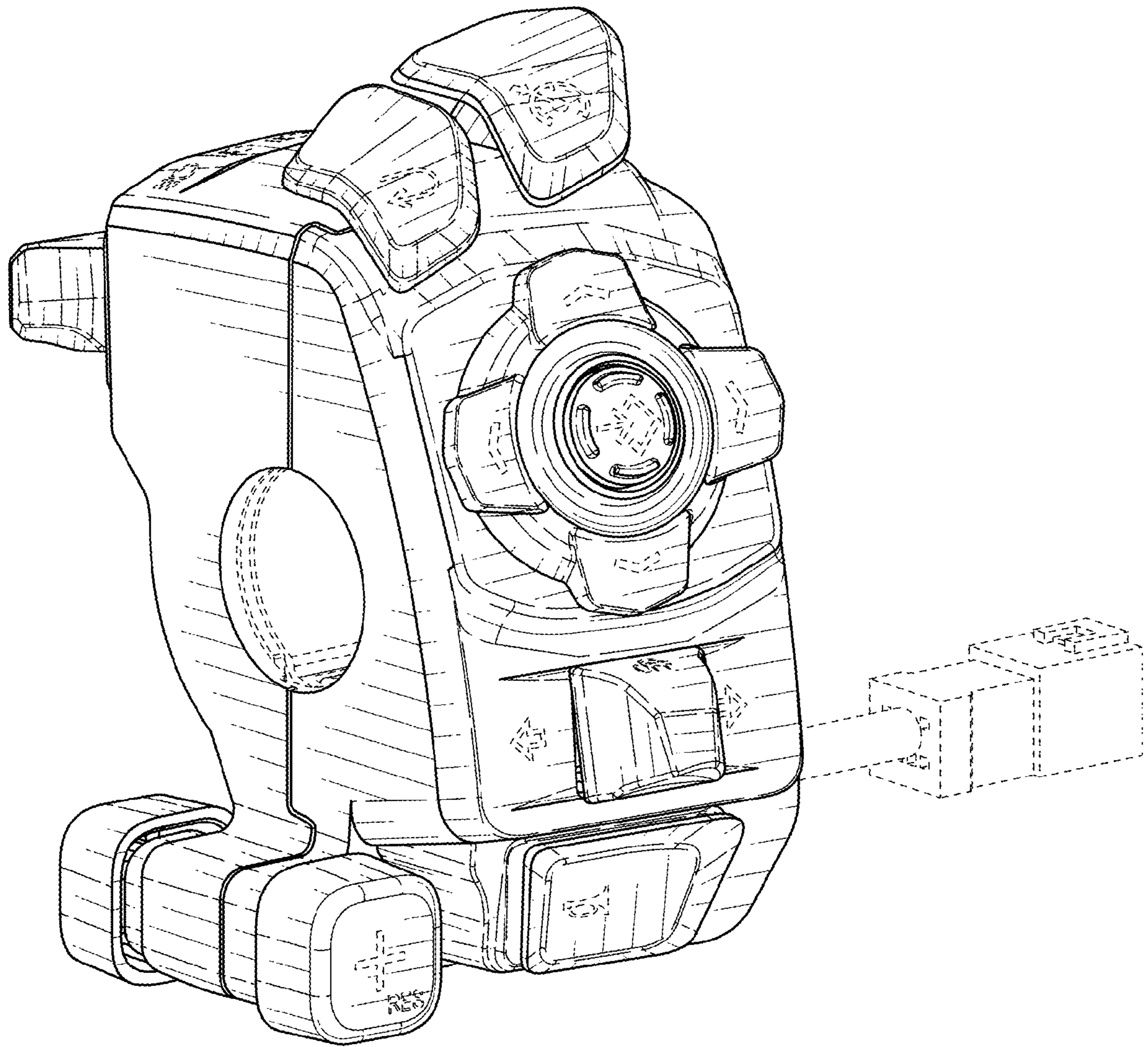


FIG. 1

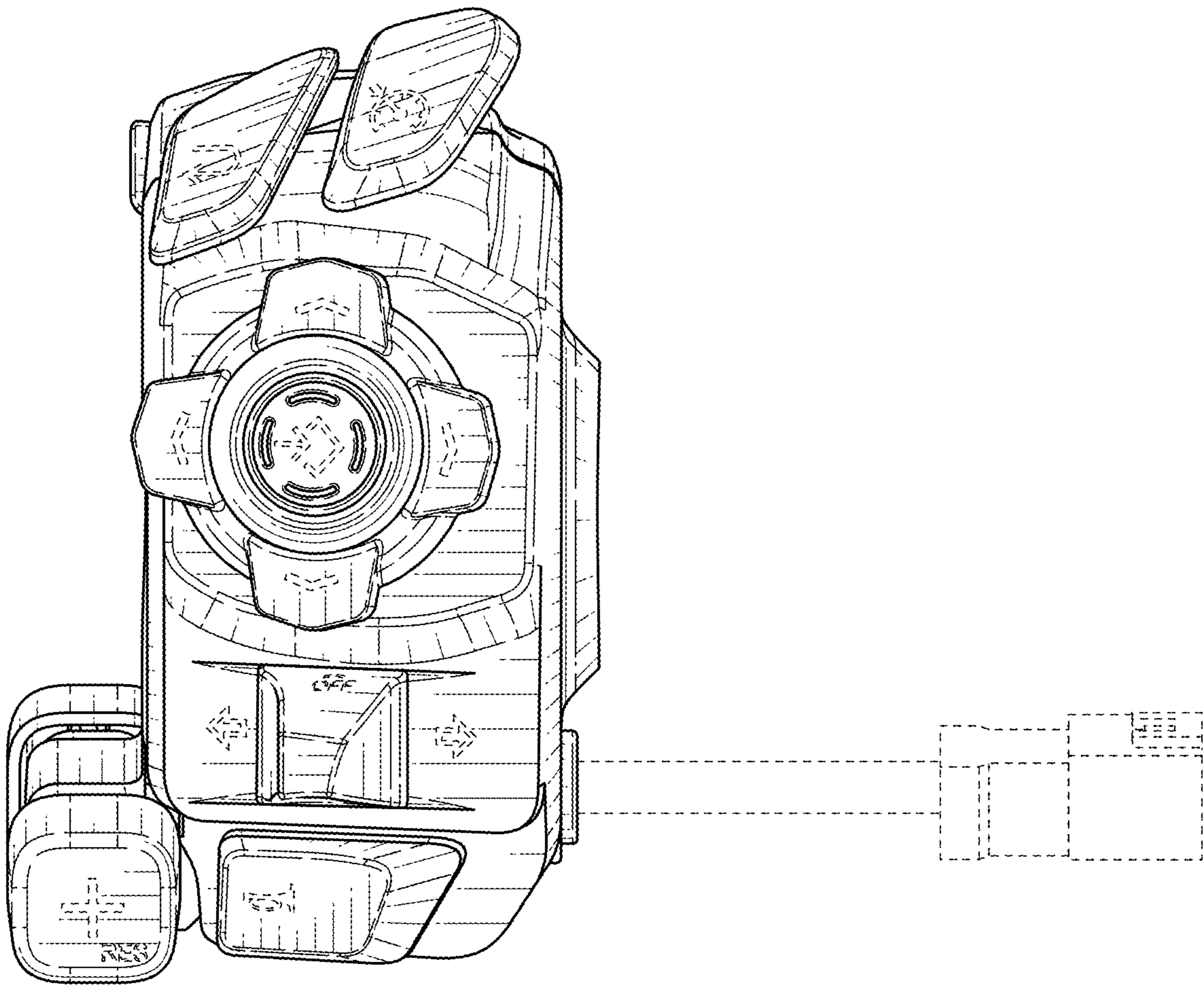


FIG. 2

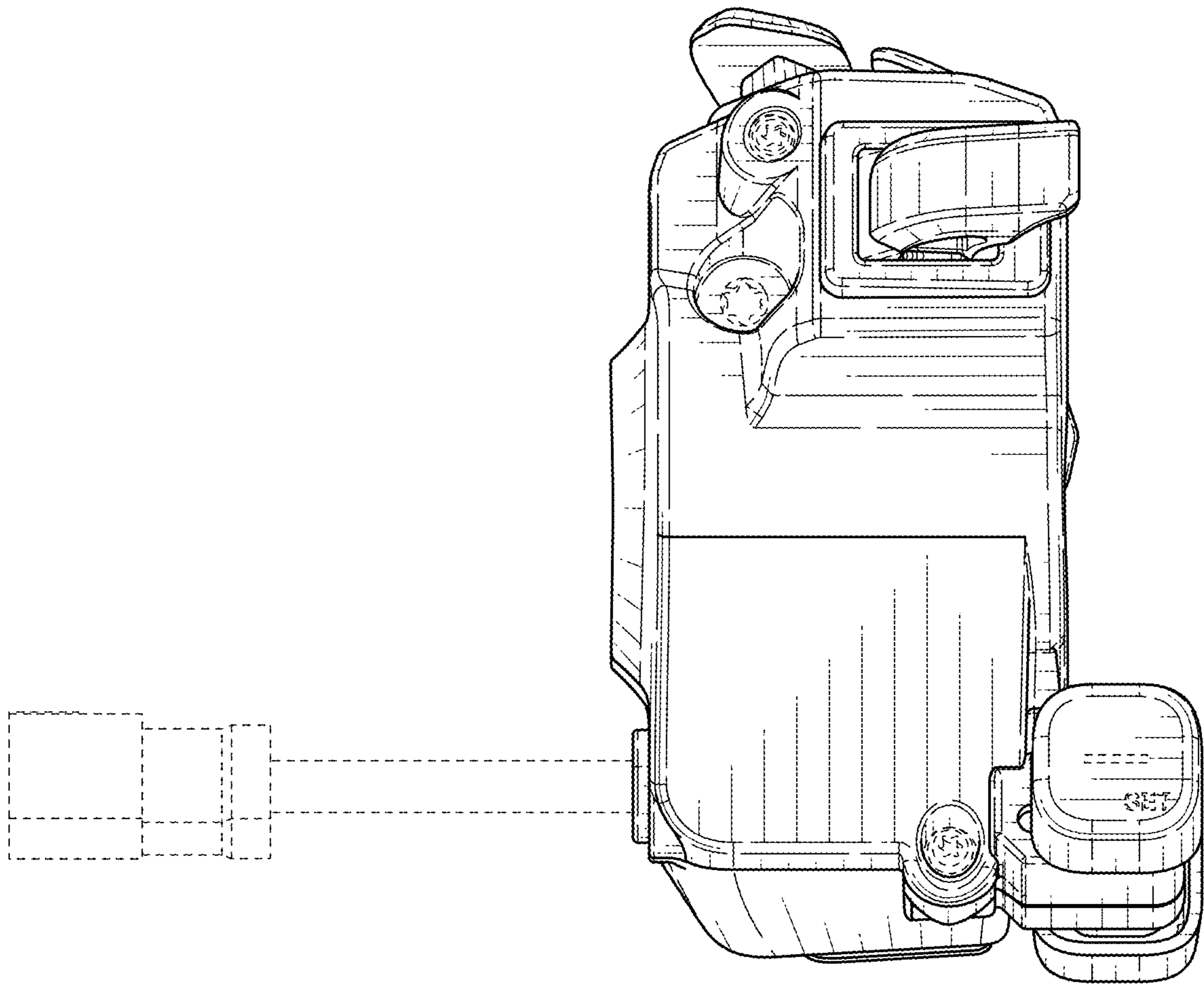


FIG. 3

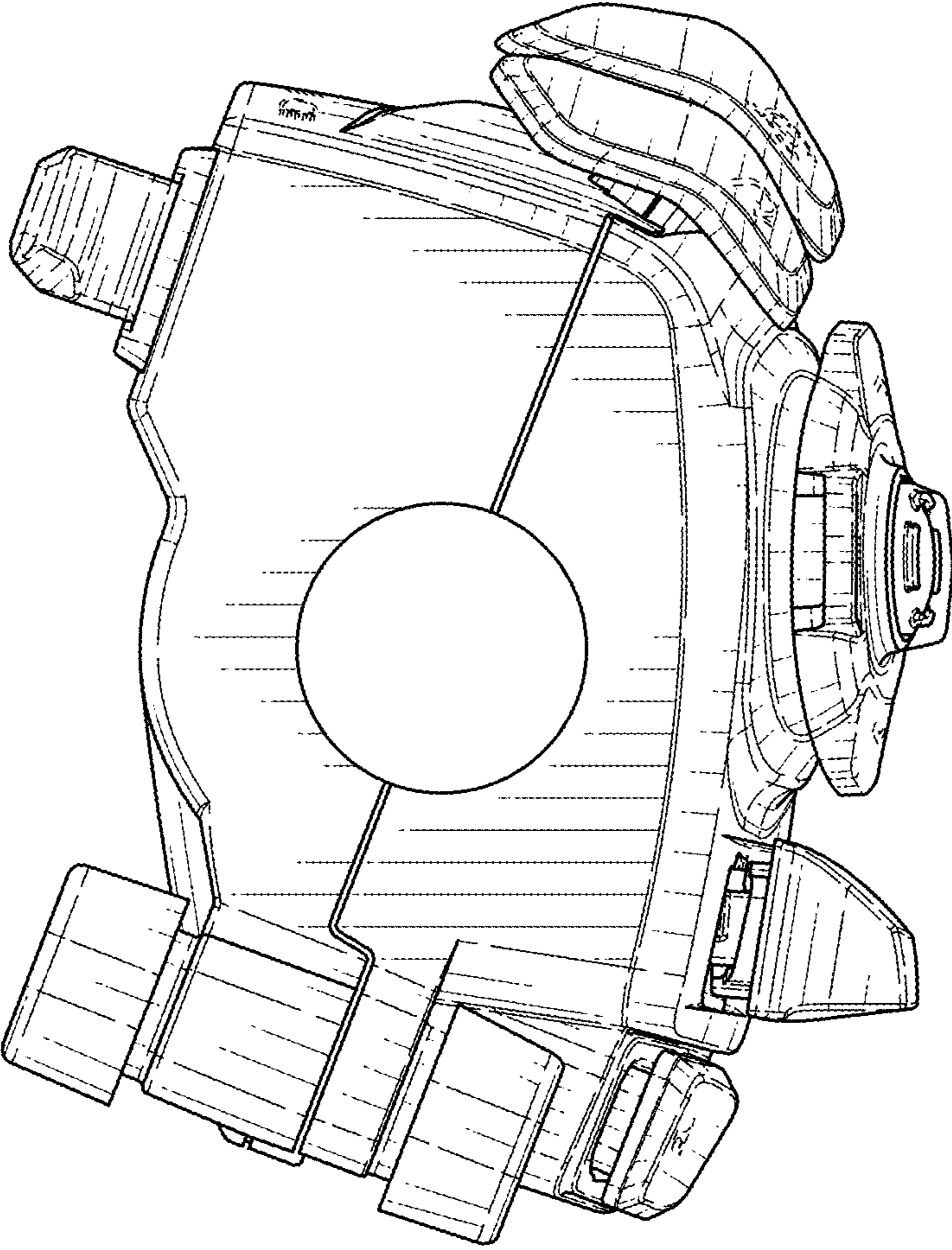


FIG. 4

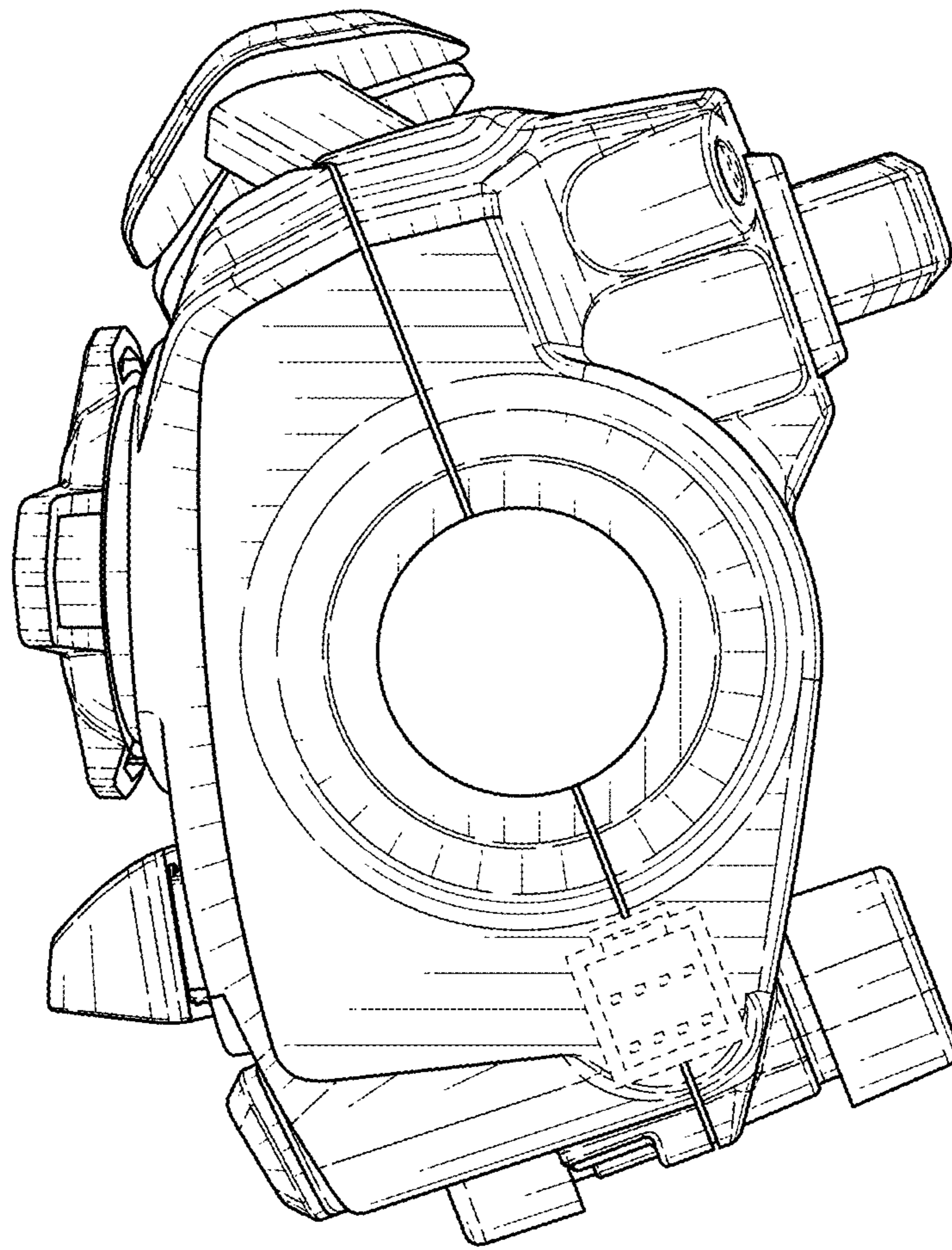


FIG. 5

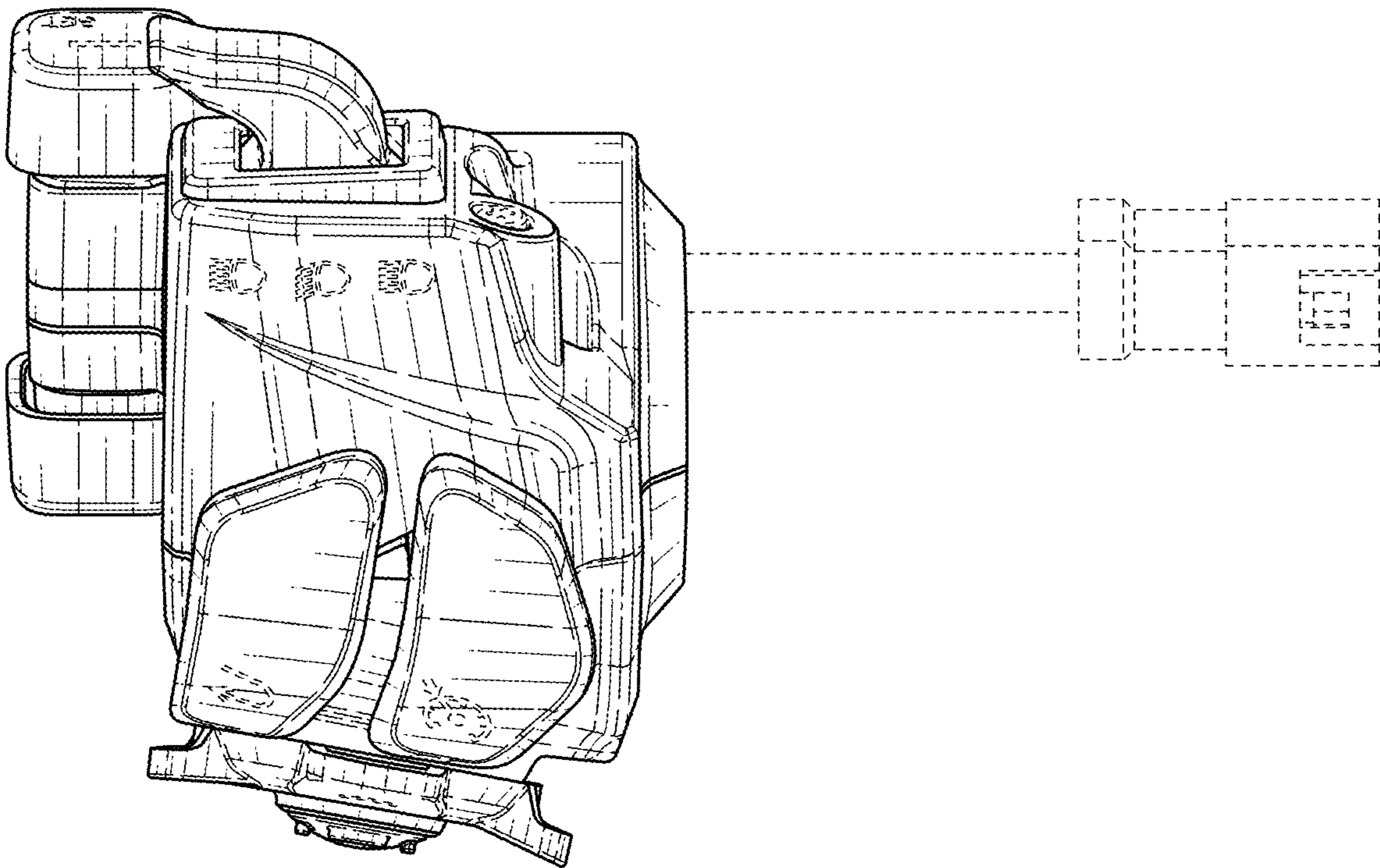


FIG. 6

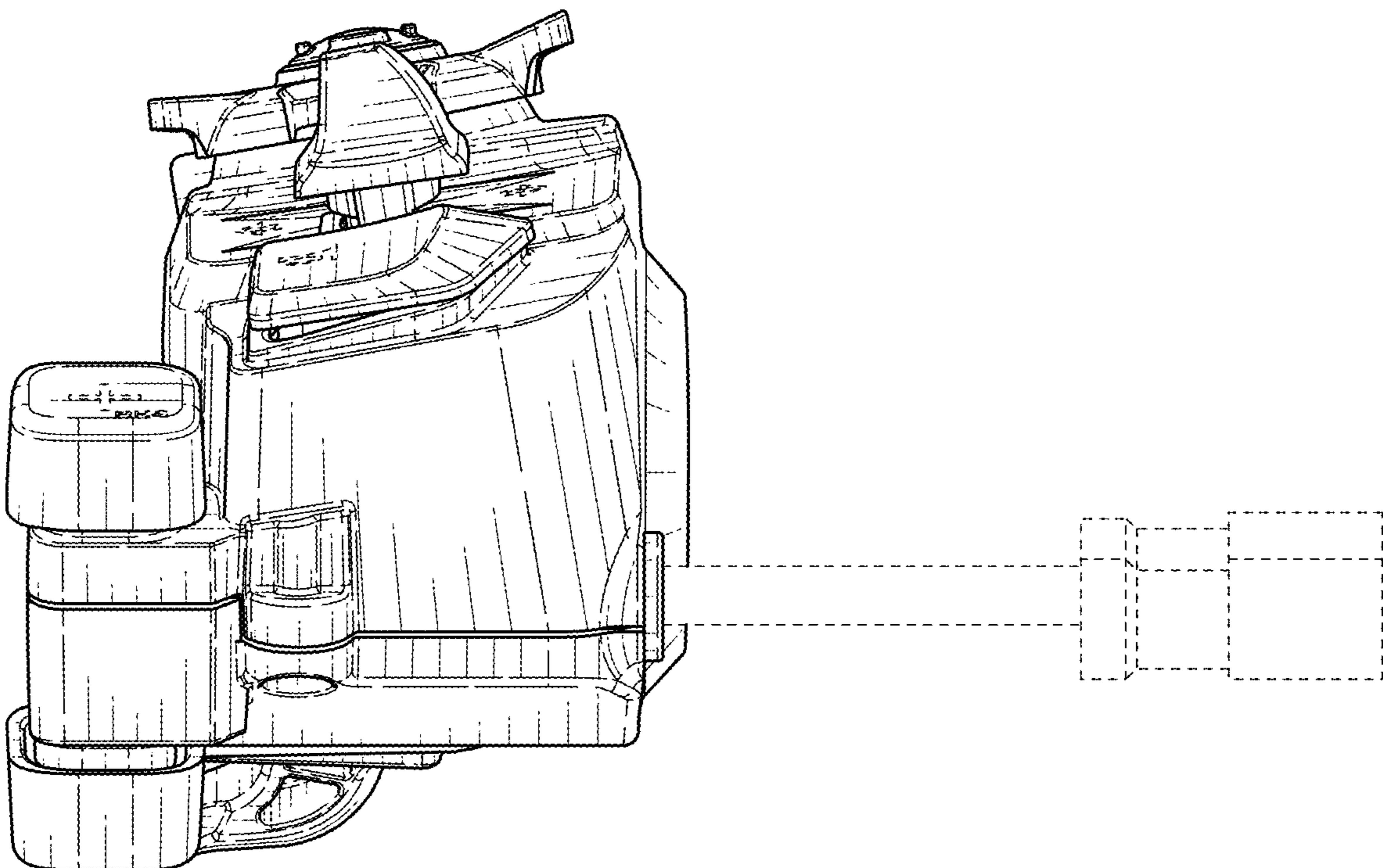


FIG. 7