



US00D915949S

(12) **United States Design Patent**
Mendez et al.

(10) **Patent No.:** **US D915,949 S**

(45) **Date of Patent:** **** Apr. 13, 2021**

(54) **CYCLING COMPUTER MOUNT**

(71) Applicant: **Wahoo Fitness LLC**, Atlanta, GA (US)

(72) Inventors: **Jose R. Mendez**, Columbus, GA (US);
William C. Phelps, III, Lawrenceville,
GA (US); **Harold M. Hawkins, III**,
Atlanta, GA (US); **Dimitris Katsanis**,
Nottingham (GB); **Shane A. Byler**,
Mableton, GA (US); **Stacy C. Perlis**,
Atlanta, GA (US)

(73) Assignee: **Wahoo Fitness LLC**, Atlanta, GA (US)

(**) Term: **15 Years**

(21) Appl. No.: **29/689,778**

(22) Filed: **May 1, 2019**

Related U.S. Application Data

(62) Division of application No. 29/592,679, filed on Feb. 1, 2017, now Pat. No. Des. 850,962.

(51) **LOC (13) Cl.** **12-11**

(52) **U.S. Cl.**
USPC **D12/114; D12/223; D14/253**

(58) **Field of Classification Search**
USPC D8/349, 354, 355, 363, 380, 382, 383,
D8/394; D10/46, 60, 70, 74, 79, 80, 93,
D10/94, 98; D12/110, 111, 114, 407,
D12/415, 406, 177, 178; D13/155, 102,
D13/118, 154, 184, 199; D14/252, 253,
D14/251, 447, 432; D21/484, 500, 504;
D25/119, 123, 124, 125
CPC B62M 6/45; B62M 6/50; B62J 2099/0013;
B62J 2099/002; B62J 2099/004; B62J
2099/0026

See application file for complete search history.

(56) **References Cited**

U.S. PATENT DOCUMENTS

D343,816 S * 2/1994 De Silva D12/114
D652,779 S * 1/2012 Richter D12/223
D674,322 S * 1/2013 Hilgart D12/114
D738,971 S * 9/2015 Riddiford D21/694
D742,207 S * 11/2015 Oquendo D8/363
9,397,719 B1 * 7/2016 Schmidt F16M 11/24

(Continued)

FOREIGN PATENT DOCUMENTS

CN 2017-83132 W * 5/2016
CN 2017-54793N * 9/2016

(Continued)

Primary Examiner — Michael C Stout

Assistant Examiner — Fritzgerald L Butac

(74) *Attorney, Agent, or Firm* — Polsinelli PC

(57) **CLAIM**

The ornamental design for a cycling computer mount, as shown and described.

DESCRIPTION

FIG. 1 is a topside perspective view of a cycling computer mount showing our new design.

FIG. 2 is a top plan view thereof.

FIG. 3 is a bottom plan view thereof.

FIG. 4 is a left side view thereof.

FIG. 5 is a right side view thereof.

FIG. 6 is a front elevation view thereof.

FIG. 7 is a back elevation view thereof.

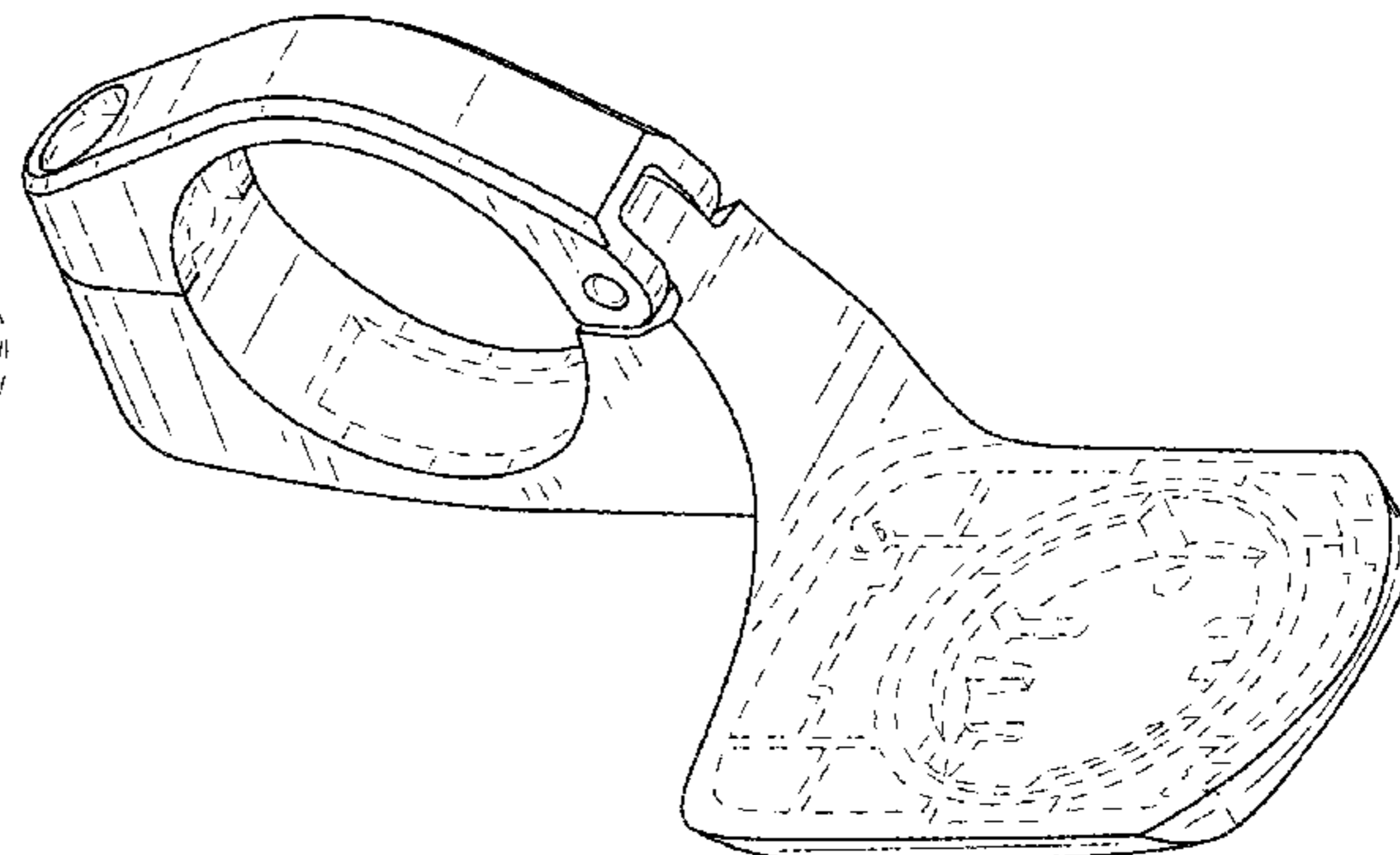
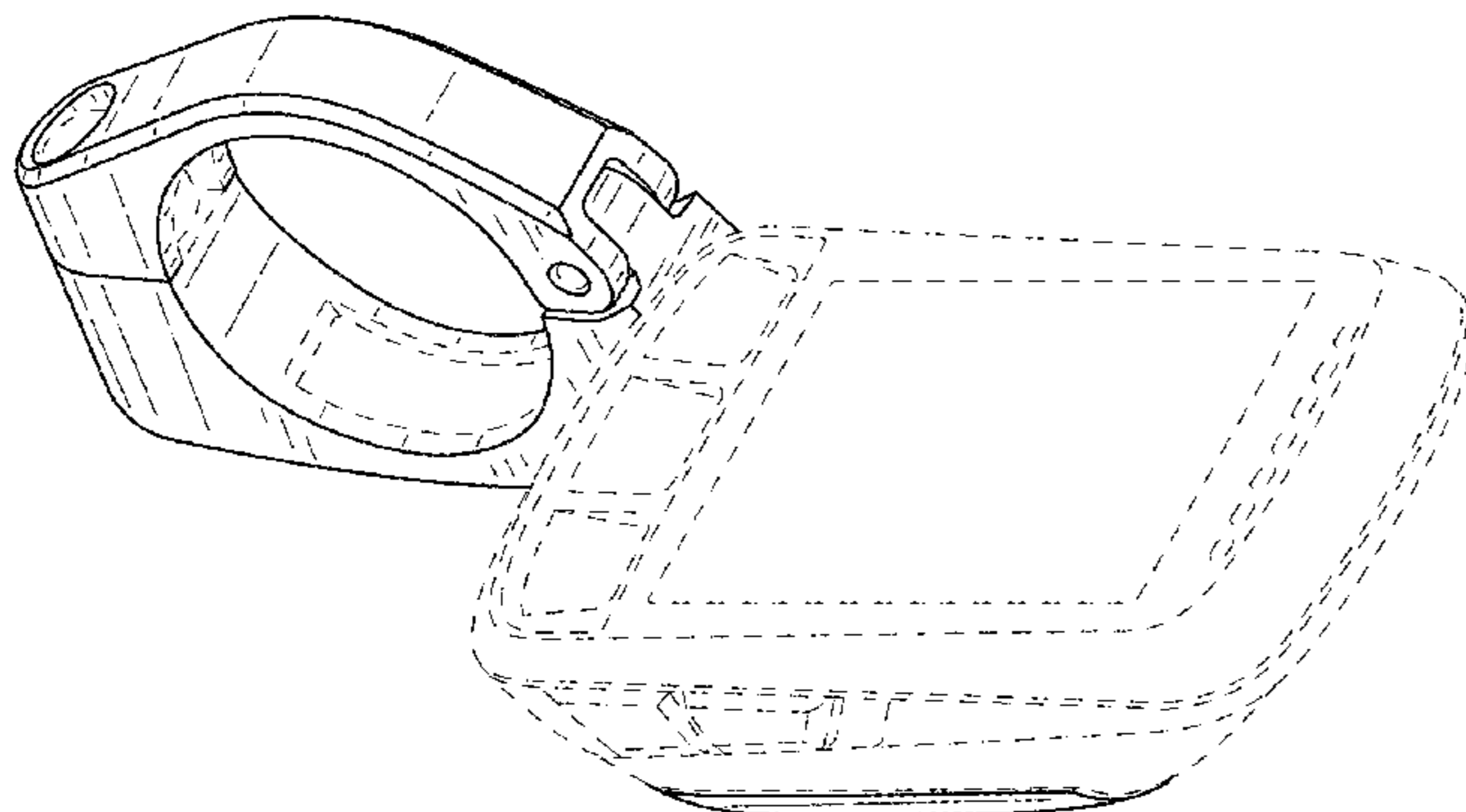
FIG. 8 is another topside perspective view thereof, where the environmental computer is not shown;

FIG. 9 is a top plan view thereof; and,

FIG. 10 is a right side view thereof.

The broken lines shown in the drawings represent visible environmental structure or unclaimed portions of the structure of the cycling computer mount, and form no part of the claimed design. The shade lines in the drawings show contour and not surface ornamentation.

1 Claim, 9 Drawing Sheets



(56)

References Cited

U.S. PATENT DOCUMENTS

D767,555	S *	9/2016	Lee	D14/253
D772,219	S *	11/2016	Daniels	D12/114
D772,220	S *	11/2016	Daniels	D12/114
9,604,686	B2 *	3/2017	Wadey	B62J 11/00
9,663,173	B2 *	5/2017	Wadey	B62J 11/00
D790,527	S *	6/2017	O'Neill	D14/253
D832,860	S *	11/2018	Murphey	D14/452
D837,100	S *	1/2019	Jang	D12/114
D838,214	S *	1/2019	Jang	D12/114
D841,075	S *	2/2019	Martin	D16/242
D850,962	S *	6/2019	Mendez	D10/98
D860,915	S *	9/2019	Tang	D12/407
D873,721	S *	1/2020	Nagano	D12/114
2007/0108244	A1 *	5/2007	Chuang	B62J 9/21
					224/420
2007/0119888	A1 *	5/2007	Chuang	B62J 11/00
					224/427
2010/0246199	A1 *	9/2010	Ma	B62J 99/00
					362/474
2011/0051340	A1 *	3/2011	Onnela	B62J 99/00
					361/679.02
2016/0131166	A1 *	5/2016	Cox	F16B 2/065
					248/230.5
2016/0309865	A1 *	10/2016	Chiang	A45F 5/00
2016/0373152	A1 *	12/2016	Schmidt	H04B 1/3877
2018/0203488	A1 *	7/2018	Hawkins, III	B62J 11/00
2019/0154190	A1 *	5/2019	Yun	F16M 11/105
2020/0050086	A1 *	2/2020	Thomson	F16M 13/00

FOREIGN PATENT DOCUMENTS

HU		2018-13088	E *	5/2016	
WO		WO-2014164461	A1 *	10/2014 B62J 7/06

* cited by examiner

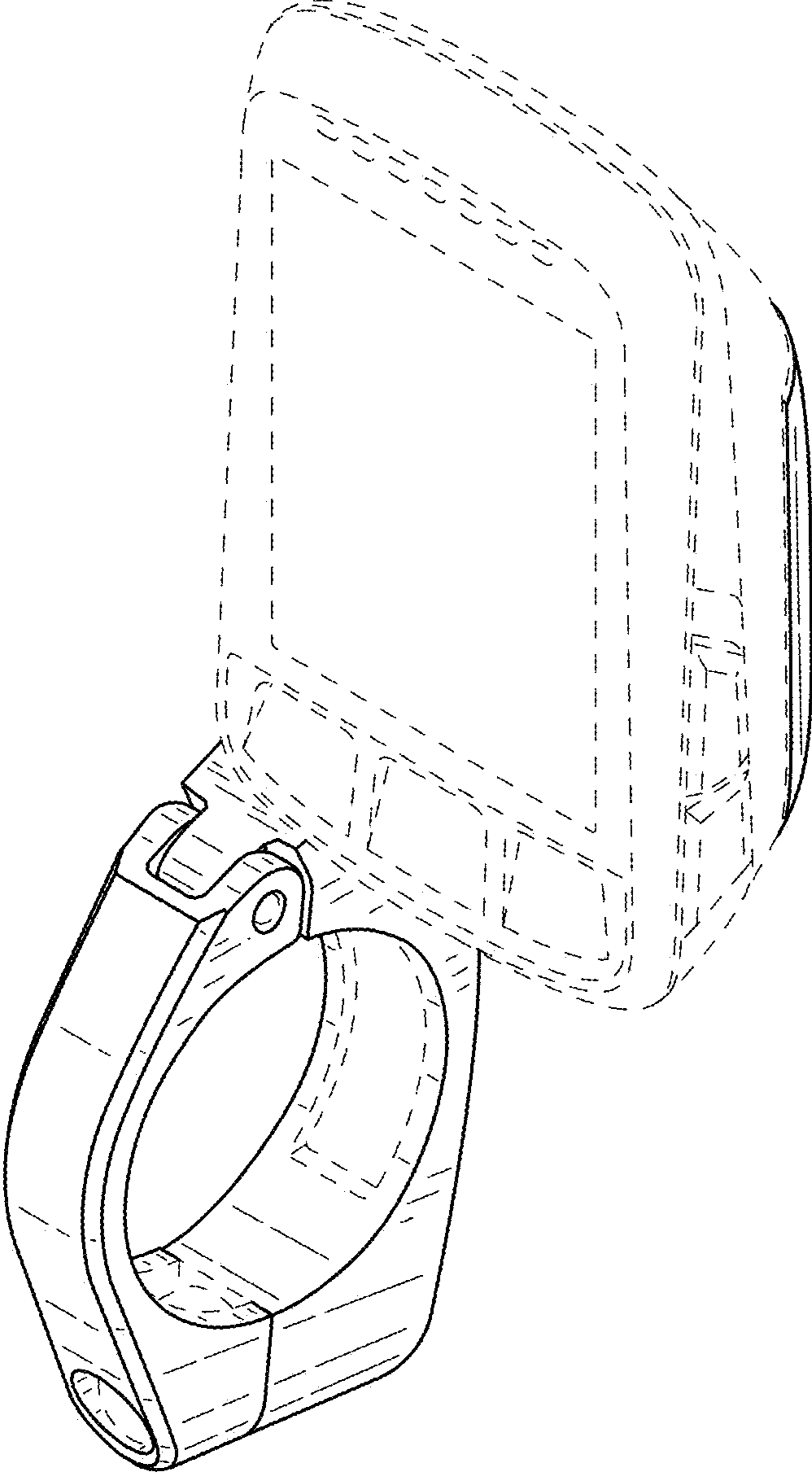


FIG.1

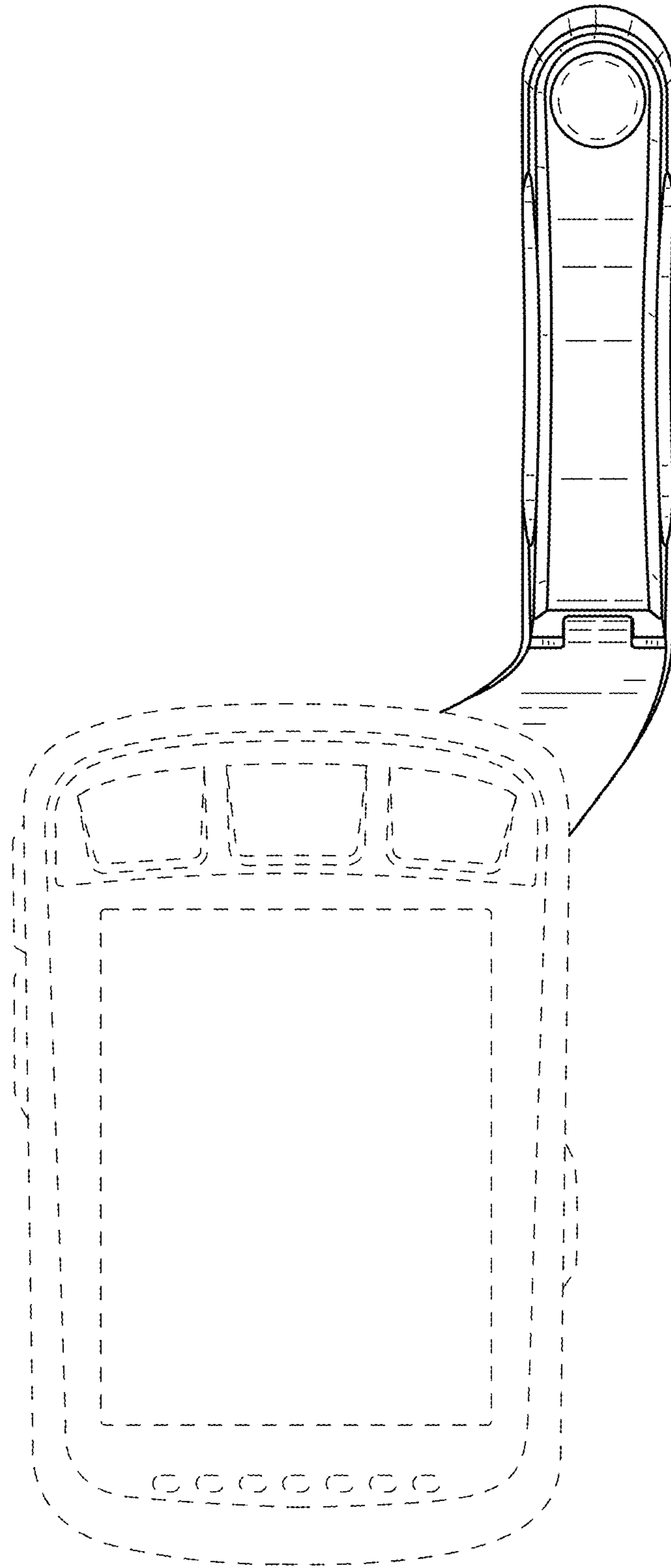


FIG.2

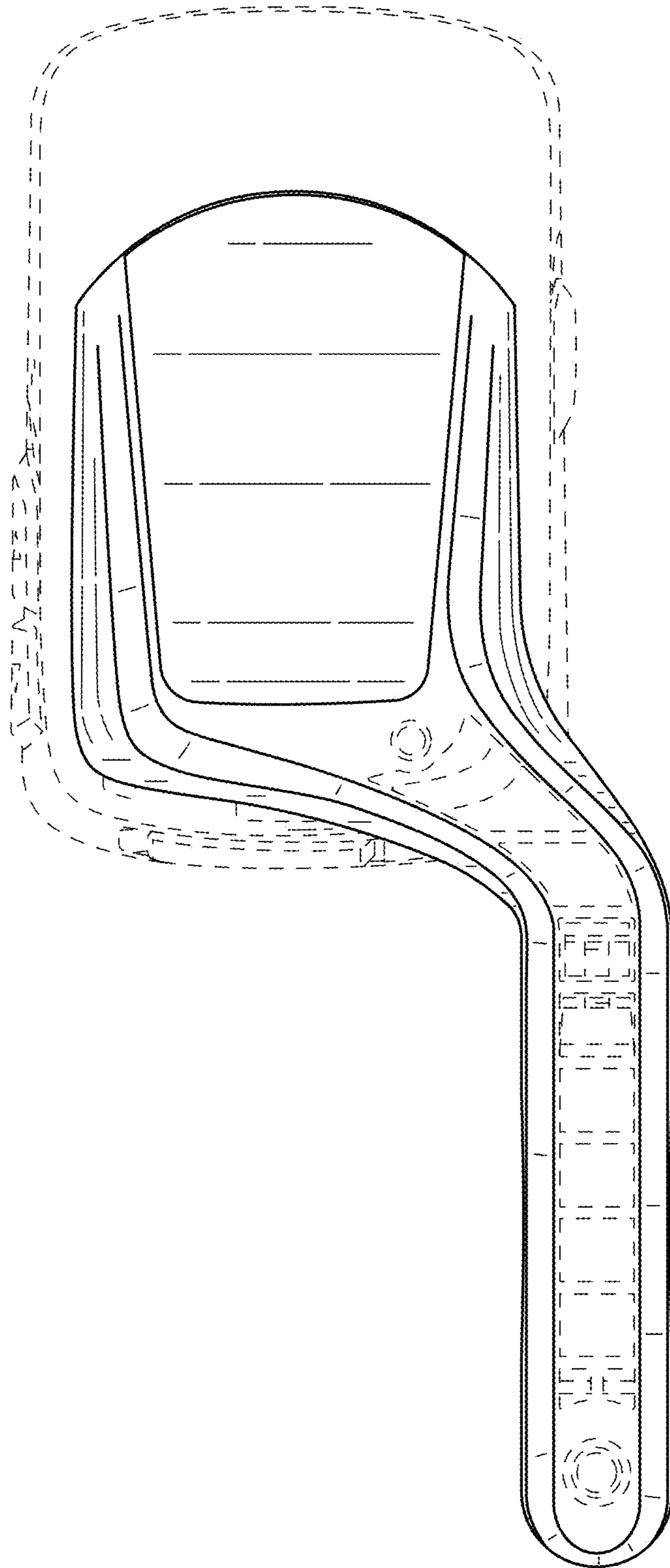


FIG.3

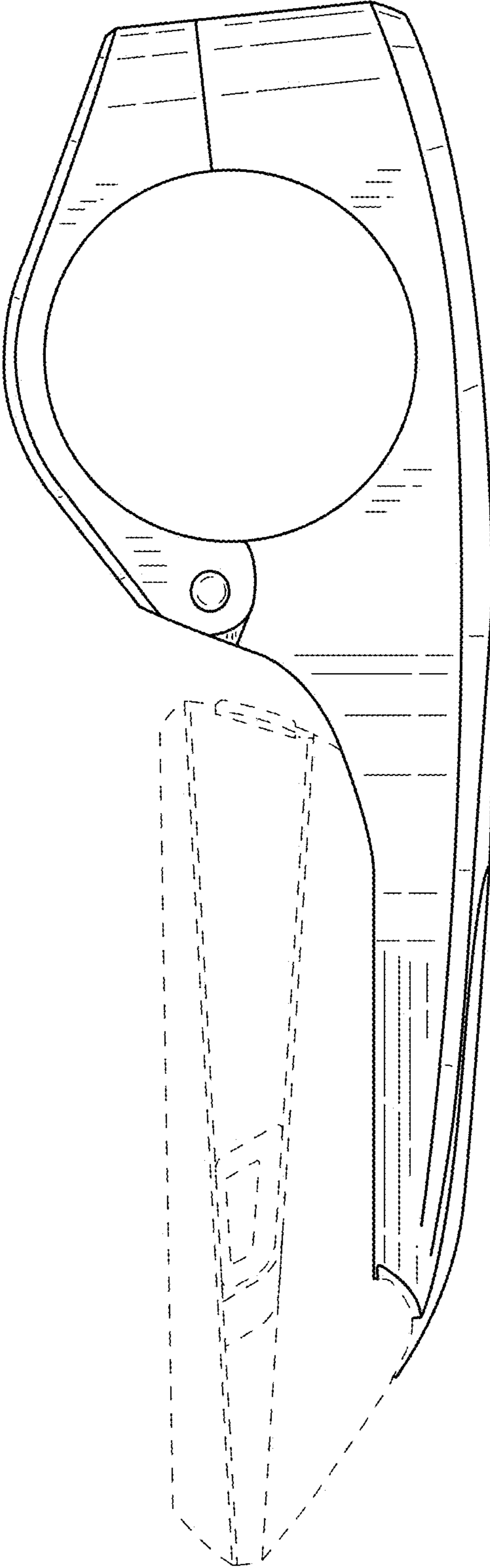


FIG.4

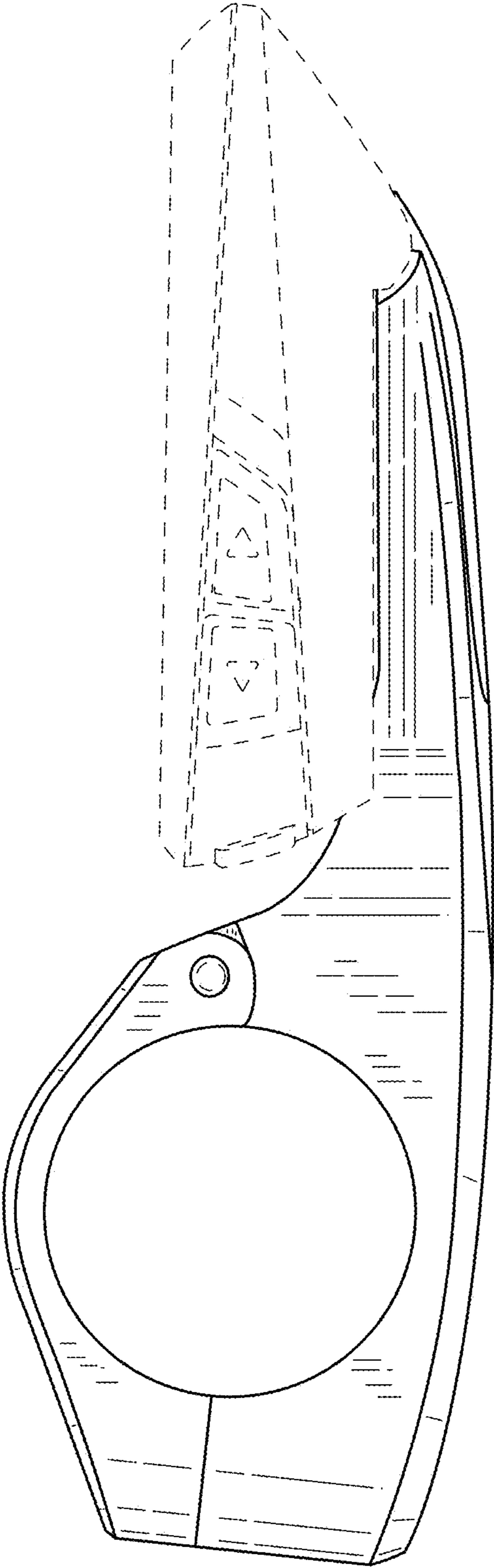


FIG.5

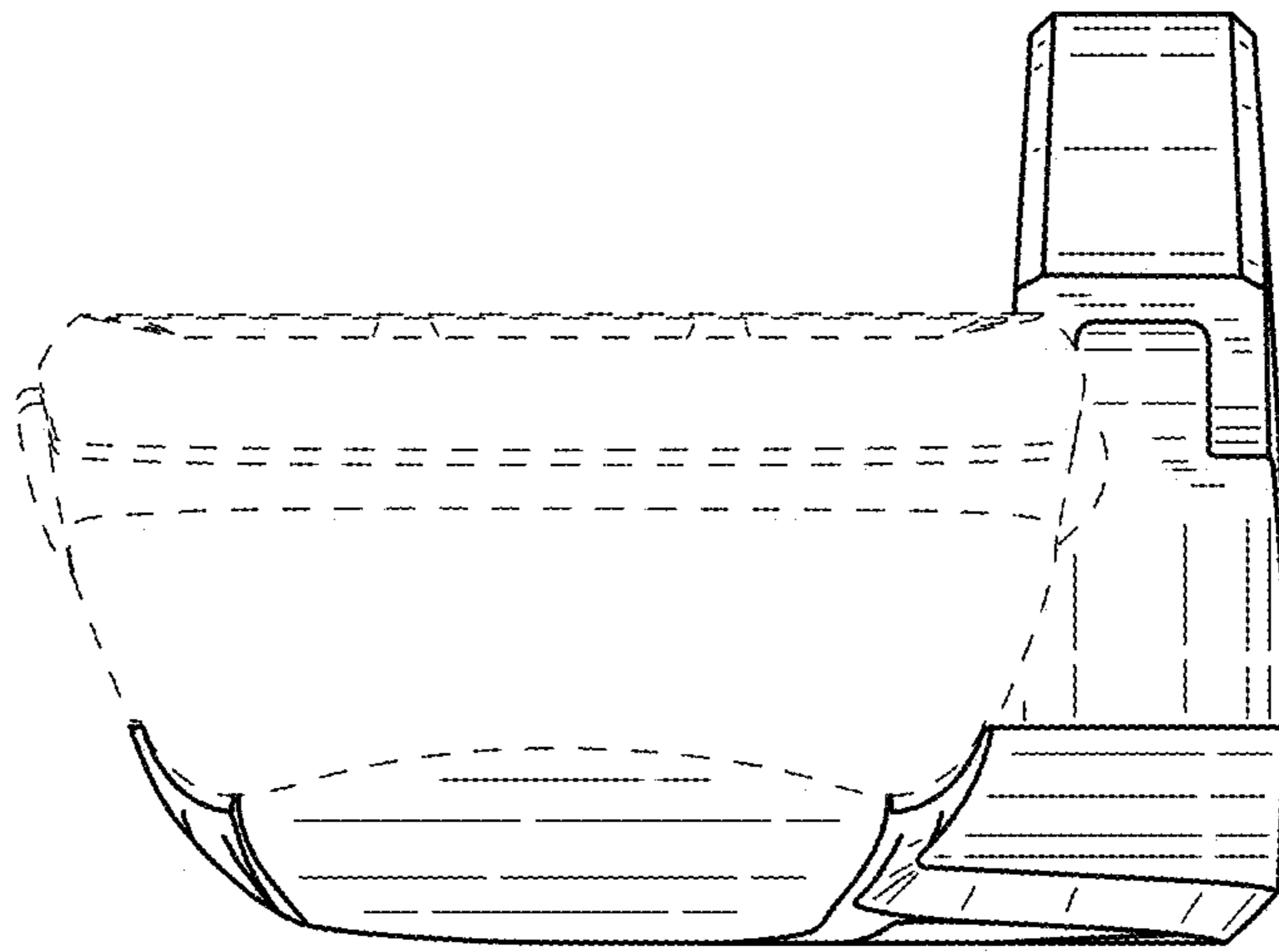


FIG. 6

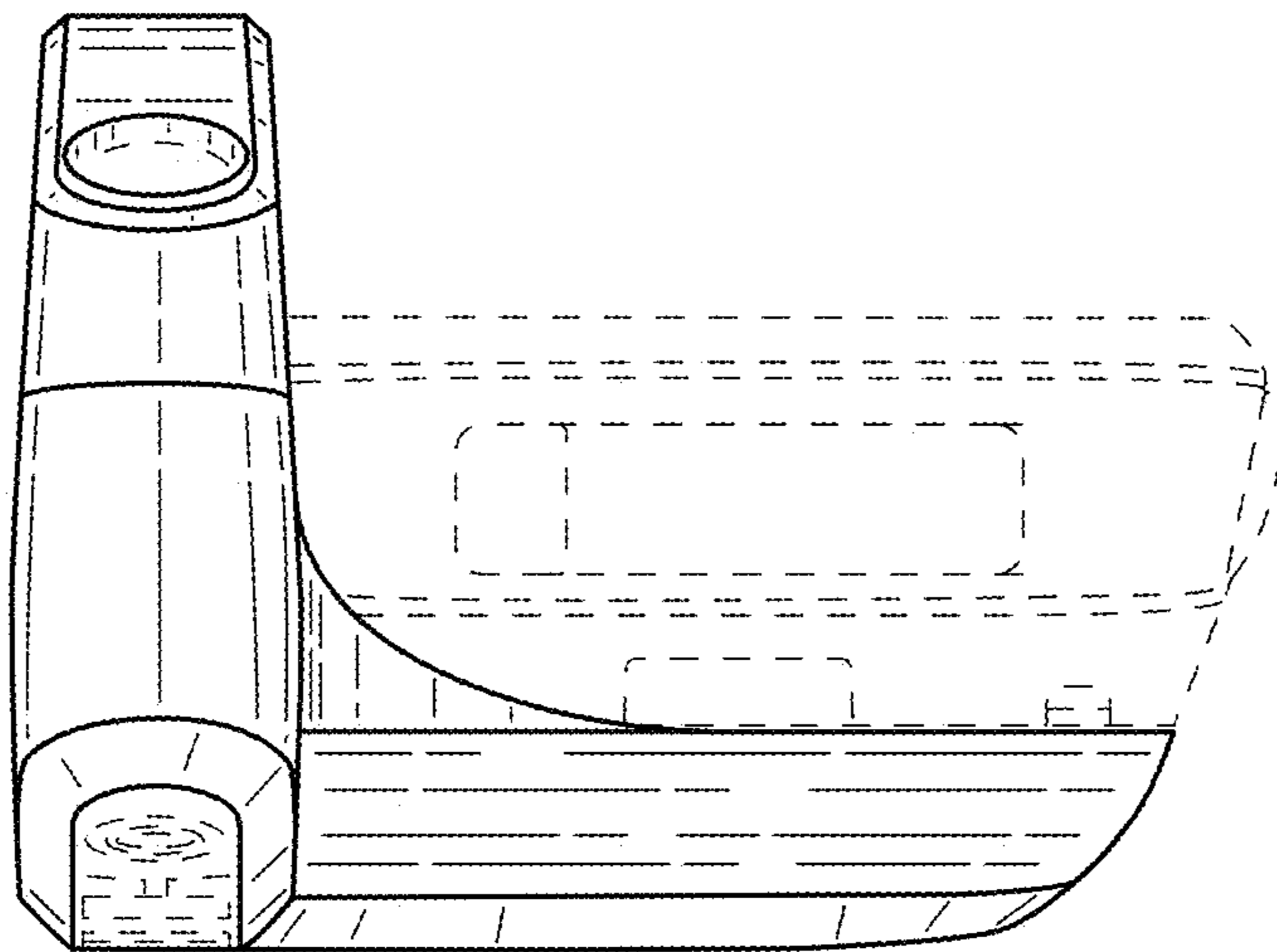


FIG. 7

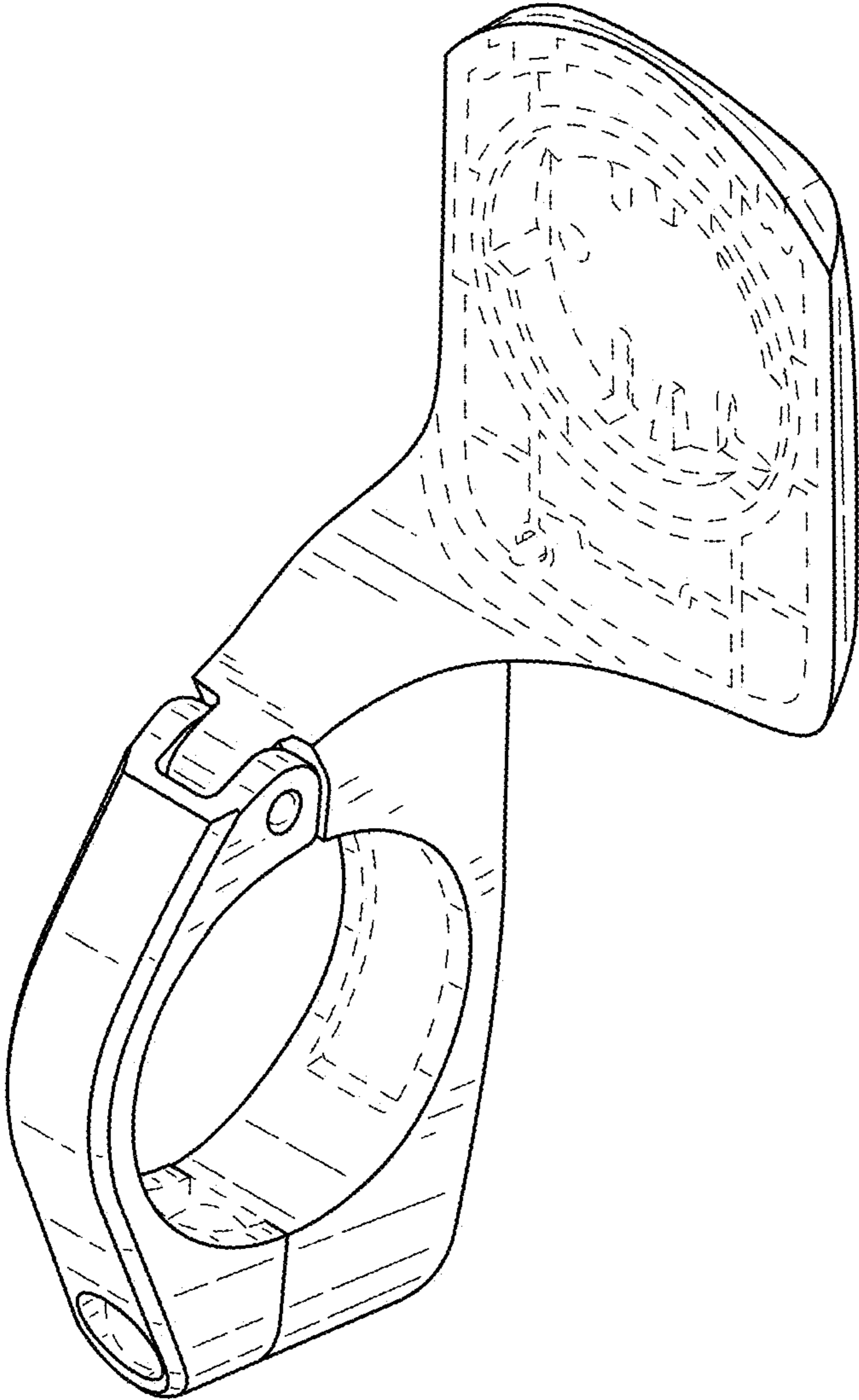


FIG.8

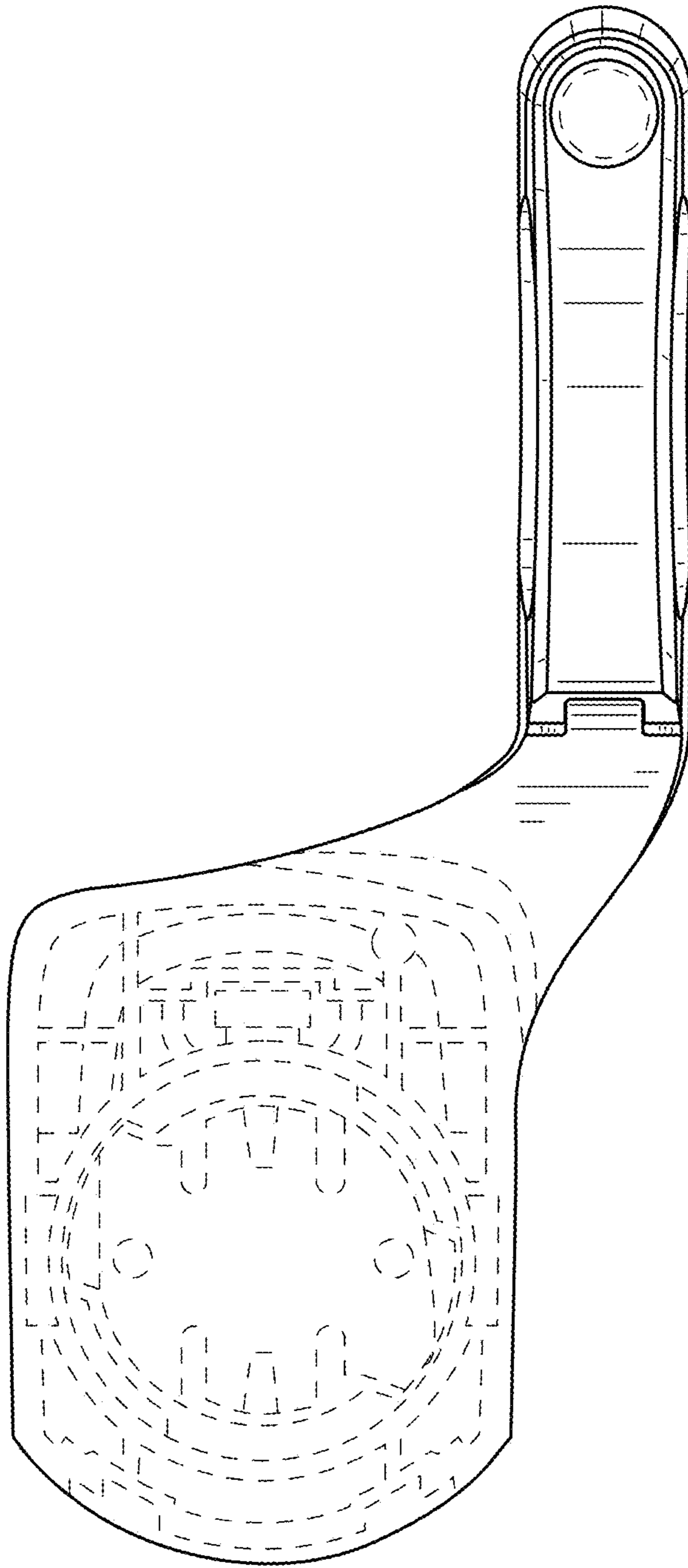


FIG.9

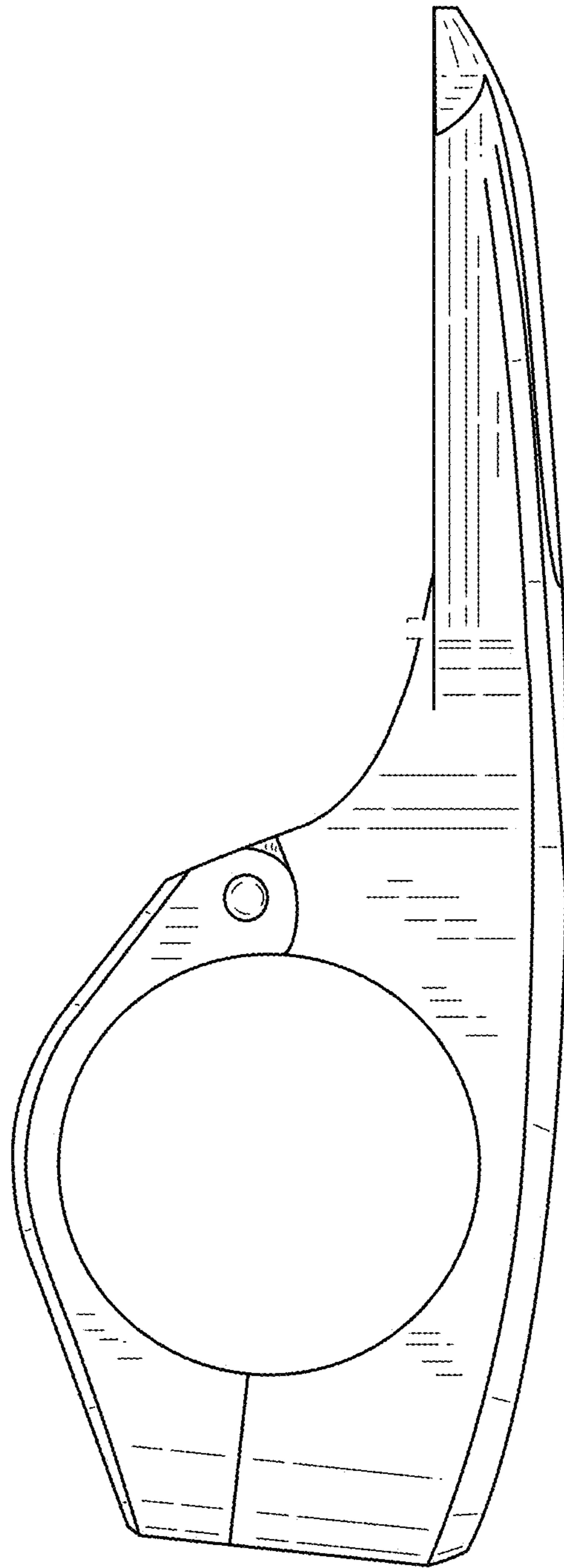


FIG.10