



US00D915945S

(12) **United States Design Patent** (10) **Patent No.:** **US D915,945 S**
Kloepfer et al. (45) **Date of Patent:** **** Apr. 13, 2021**

- (54) **CYLINDRICAL SEMI-TRAILER**
- (71) Applicants: **Michael Kloepfer**, Delhi (CA); **James Bult**, Monee, IL (US)
- (72) Inventors: **Michael Kloepfer**, Delhi (CA); **Andrew Joseph Maertens**, Delhi (CA); **James Bult**, Monee, IL (US)
- (73) Assignees: **Michael Kloepfer**, Delhi (CA); **James Bult**, Monee, IL (US)
- (**) Term: **15 Years**
- (21) Appl. No.: **29/588,405**
- (22) Filed: **Dec. 20, 2016**
- (51) **LOC (13) Cl.** **12-10**
- (52) **U.S. Cl.**
 USPC **D12/102**
- (58) **Field of Classification Search**
 USPC D12/93, 95, 96, 97, 98, 99, 101, 102, D12/103, 104, 105, 106
 CPC B60P 3/2215; B60P 3/2255; B60P 3/2265; B60P 3/2245; B62D 34/001; B62D 21/20; B60K 5/04; F16K 17/196
 See application file for complete search history.

- 3,935,993 A 2/1976 Doyen et al.
 3,971,491 A 7/1976 Mowatt-Larssen et al.
 4,025,034 A 5/1977 Randolph et al.
 4,081,651 A 3/1978 Randolph et al.
 4,259,776 A 4/1981 Roda
 4,341,938 A 7/1982 Matsubara et al.
 (Continued)

FOREIGN PATENT DOCUMENTS

- CN 101269435 A 9/2008
 CN 102248314 A 11/2011
 (Continued)

OTHER PUBLICATIONS

Canadian Patent Application No. CA3039566, Office Action dated Sep. 3, 2019 (5 pages).
 (Continued)

Primary Examiner — Philip S Hyder
Assistant Examiner — Jerry Shiuan-Hua Hsu
 (74) *Attorney, Agent, or Firm* — McCarter & English, LLP

(57) **CLAIM**

The ornamental design for a cylindrical semi-trailer, as shown and described.

(56) **References Cited**

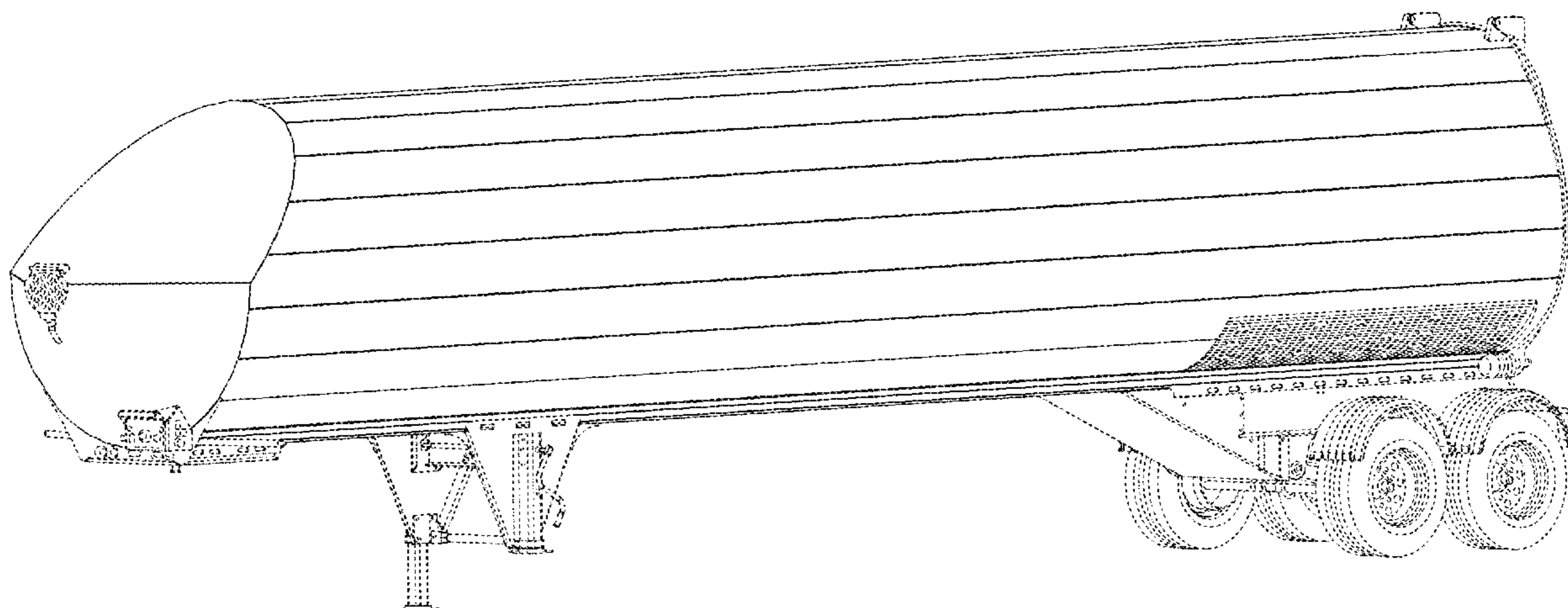
U.S. PATENT DOCUMENTS

- 1,847,310 A 3/1932 Schmitz
 1,966,244 A 7/1934 Hansen
 2,458,686 A 1/1949 Davie
 2,486,378 A 11/1949 Felix et al.
 2,777,606 A * 1/1957 Beatty B60P 3/2265
 222/26
 3,159,911 A 12/1964 Albert et al.
 3,187,425 A 6/1965 Black et al.
 3,374,528 A 3/1968 Bowcutt et al.
 3,625,137 A * 12/1971 Johnson B60P 3/2255
 280/837
 3,734,387 A 5/1973 Sannipoli
 3,823,842 A 7/1974 Chang

DESCRIPTION

FIG. 1 is a right side front perspective view of an embodiment of the design;
 FIG. 2 is a right side rear perspective view thereof;
 FIG. 3 is a right side view thereof;
 FIG. 4 is an enlarged rear view thereof;
 FIG. 5 is an enlarged front view thereof;
 FIG. 6 is a top view thereof; and,
 FIG. 7 is a bottom view thereof.
 The broken lines depict portions of the cylindrical semi-trailer that form no part of the claim.

1 Claim, 6 Drawing Sheets



(56)

References Cited

U.S. PATENT DOCUMENTS

4,500,764	A	2/1985	Girodi et al.	
4,504,047	A	3/1985	Jantzen	
5,047,101	A	9/1991	Trussler	
D350,839	S *	9/1994	Ledesma	D12/95
5,435,478	A	7/1995	Wood et al.	
5,662,145	A	9/1997	Stagg	
5,697,511	A	12/1997	Bampton	
6,012,892	A	1/2000	Stragier	
6,247,634	B1	6/2001	Whitehouse	
6,276,058	B1	8/2001	Gallinger et al.	
6,505,393	B2	1/2003	Stoewer et al.	
6,688,673	B2	2/2004	Kloepfer	
6,719,360	B1	4/2004	Backs	
6,840,433	B2	1/2005	Vermaat	
6,854,789	B2	2/2005	Kloepfer	
6,875,942	B2	4/2005	Coughlin et al.	
7,430,888	B2	10/2008	Osame	
7,596,843	B2	10/2009	Spishak et al.	
7,748,592	B2	7/2010	Koga et al.	
7,802,412	B2	9/2010	Jensen	
7,950,722	B2	5/2011	Booher	
7,975,622	B2	7/2011	Dalrymple et al.	
D653,587	S *	2/2012	Haut	B62D 21/20 D12/95
8,132,708	B1	3/2012	Potter et al.	
D658,548	S *	5/2012	Silva e Costa	D12/95
D668,582	S *	10/2012	Doron	D12/102
8,313,595	B2	11/2012	Blanc et al.	
8,408,443	B2	4/2013	Miryekta et al.	
8,534,530	B2	9/2013	Biggs	
8,590,276	B2	11/2013	Kryger et al.	
D710,763	S *	8/2014	Maiorana	D12/95
8,985,376	B2	3/2015	Musso	
9,090,328	B2	7/2015	Goehlich	
9,457,932	B2	10/2016	Kenealy et al.	
9,469,352	B2	10/2016	Booher et al.	
9,789,916	B1	10/2017	Beelman, III et al.	
10,046,865	B2	8/2018	Smith et al.	
10,086,962	B2	10/2018	Granger et al.	
2006/0118235	A1	6/2006	Lum et al.	
2007/0256288	A1	11/2007	Vermaat	
2008/0143142	A1	6/2008	Lemmons	
2008/0256776	A1	10/2008	Neuhaus et al.	
2009/0288719	A1 *	11/2009	Adams	F16K 17/196 137/512
2010/0213244	A1	8/2010	Miryekta et al.	
2011/0031257	A1	2/2011	Metz	
2011/0198145	A1 *	8/2011	Bullis	B60K 5/04 180/235
2013/0206778	A1	8/2013	Lukyanets et al.	
2013/0292387	A1 *	11/2013	Spencer	B60P 3/2245 220/562
2014/0150871	A1 *	6/2014	Goodier	B60P 3/2245 137/1
2014/0265436	A1 *	9/2014	Maiorana	B62D 35/001 296/180.4
2014/0366771	A1	12/2014	Bianchi	
2015/0031122	A1	1/2015	Claypool	
2016/0129826	A1 *	5/2016	Yielding	B60P 3/2215 280/839
2016/0339968	A1	11/2016	Kloepfer et al.	
2017/0254477	A1	9/2017	Schimenti et al.	
2017/0299057	A1	10/2017	Doetzer	
2018/0017214	A1	1/2018	Hermiller et al.	
2018/0187835	A1	7/2018	Brunsch	

FOREIGN PATENT DOCUMENTS

CN	202130744	U	2/2012
CN	102803054	A	11/2012
CN	203855052	U	10/2014
CN	104590407	A	5/2015
CN	103273252	B	8/2015
CN	204893326	U	12/2015

CN	205386696	U	7/2016
DE	102009037609	A1	2/2011
EP	0090334	A2	10/1983
EP	1350654	A1	10/2003
EP	2236439	B1	5/2012
GB	1162937	A	9/1969
JP	S5835074	A	3/1983
JP	S5939477	A	3/1984
JP	2008179376	A	8/2008
JP	2013169594	A	9/2013
WO	2013083177	A1	6/2013
WO	2014139531	A1	9/2014
WO	2016118152	A1	7/2016
WO	2016170192	A1	10/2016
WO	2016173587	A1	11/2016

OTHER PUBLICATIONS

International Patent Application No. PCT/CA2017/051538, International Preliminary Report on Patentability dated Apr. 4, 2019 (5 pages).

International Patent Application No. PCT/CA2017/051538, International Search Report and Written Opinion dated Mar. 16, 2018 (9 pages).

International Patent Application No. PCT/CA2017/051544, International Preliminary Report on Patentability dated Apr. 4, 2019 (6 pages).

International Patent Application No. PCT/CA2017/051544, International Search Report and Written Opinion dated Mar. 12, 2018 (8 pages).

Response to Written Opinion filed with the Canadian Receiving Office on Jun. 22, 2018, in connection with International Patent Application No. PCT/CA2017/051538 (18 pages).

Response to Written Opinion filed with the Canadian Receiving Office on May 30, 2018, in connection with International Patent Application No. PCT/CA2017/051544 (24 pages).

Extended European Search Report dated Jul. 9, 2020, issued by the European Patent Office in connection with European Patent Application No. 17883510.4 (8 pages).

Office Action dated Sep. 15, 2020, issued by the Canadian Intellectual Property Office in connection with Canadian Patent Application No. CA3090574 (3 pages).

Notice of Allowance dated Sep. 30, 2020, including Examiner-Initiated Interview Summary, issued by the U.S. Patent and Trademark Office in connection with U.S. Appl. No. 16/471,835 (11 pages).

Office Action dated Nov. 7, 2019, issued by the Canadian Intellectual Property Office in connection with Canadian Patent Application No. CA3039568 (5 pages).

Office Action dated Jan. 2, 2020, issued by the Canadian Intellectual Property Office in connection with Canadian Patent Application No. CA3039566 (4 pages).

Office Action dated Apr. 20, 2020, issued by the Canadian Intellectual Property Office in connection with Canadian Patent Application No. CA3069573 (4 pages).

International Search Report and Written Opinion of the International Searching Authority dated Aug. 24, 2018, issued in connection with International Application No. PCT/CA2018/050730 (12 pages).

Written Opinion of the International Preliminary Examining Authority dated Aug. 27, 2019, issued in connection with International Application No. PCT/CA2018/050730 (5 pages).

Response to Written Opinion filed with the Canadian Receiving Office on Sep. 20, 2019, in connection with International Patent Application No. PCT/CA2018/050730 (27 pages).

International Preliminary Report on Patentability of the International Preliminary Examining Authority dated Dec. 12, 2019, issued in connection with International Application No. PCT/CA2018/050730 (8 pages).

Office Action dated Jun. 8, 2020, issued by the United States Patent and Trademark Office in connection with U.S. Appl. No. 16/471,835 (22 pages).

(56)

References Cited

OTHER PUBLICATIONS

Machine Translation of Chinese Patent Document CN103273252, published Aug. 12, 2015 (8 pages).

Extended European Search Report dated Oct. 6, 2020, issued in connection with European Patent Application No. 17882950.3 (8 pages).

Notice of Allowance dated Feb. 1, 2021, issued in connection with U.S. Appl. No. 16/471,835 (8 pages).

Chinese Office Action dated Jan. 20, 2021, issued in connection with Chinese Patent Application No. 201780086854.8 (6 pages)—English Translation Not Available.

Chinese Office Action dated Jan. 27, 2021, issued in connection with Chinese Patent Application No. 201780086876.4 (11 pages)—English Translation Not Available.

Canadian Office Action dated Feb. 9, 2021, issued in connection with Canadian Patent Application No. 3,066,386 (3 pages).

Canadian Office Action dated Feb. 9, 2021, issued in connection with Canadian Patent Application No. 3,066,390 (4 pages).

* cited by examiner

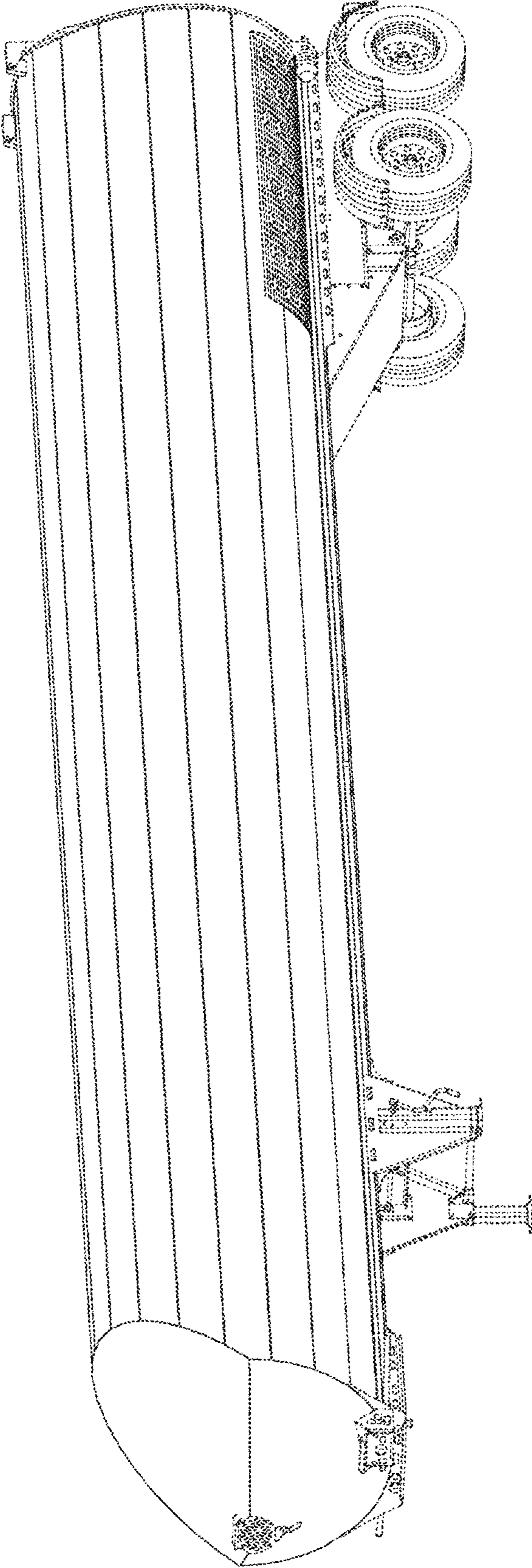


FIG. 1

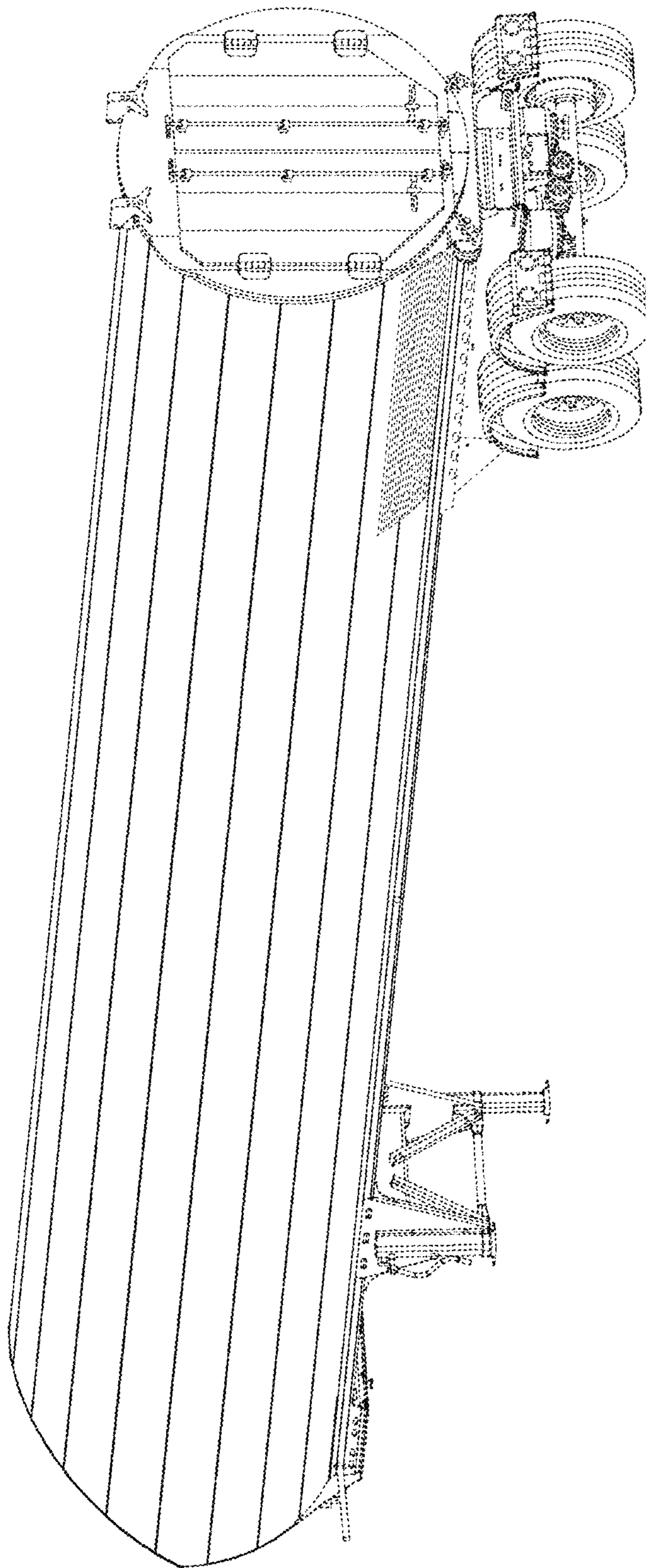


FIG. 2

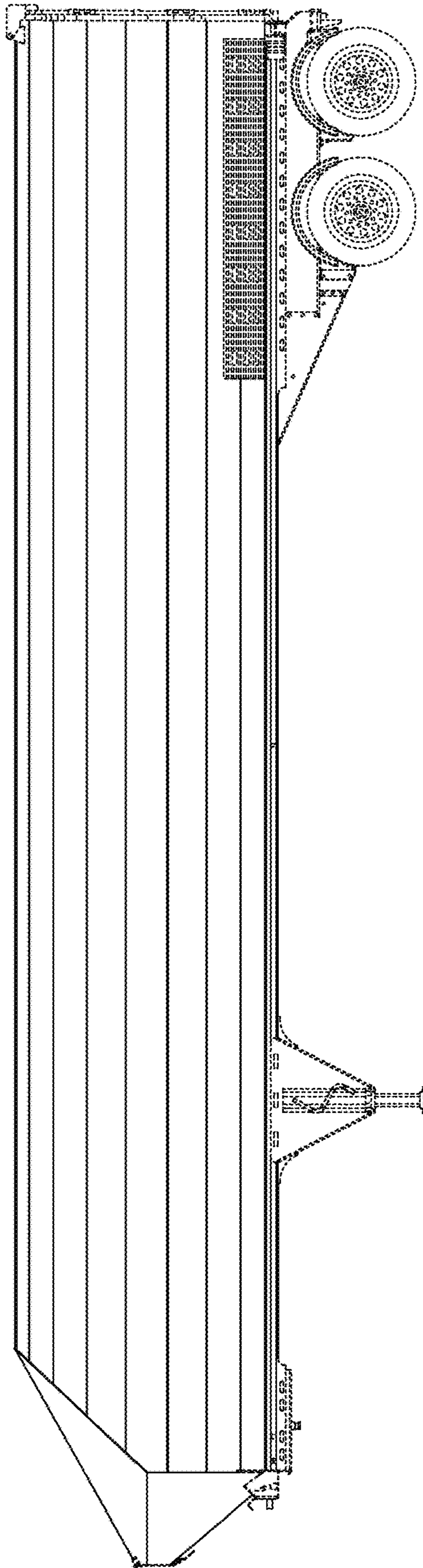


FIG. 3

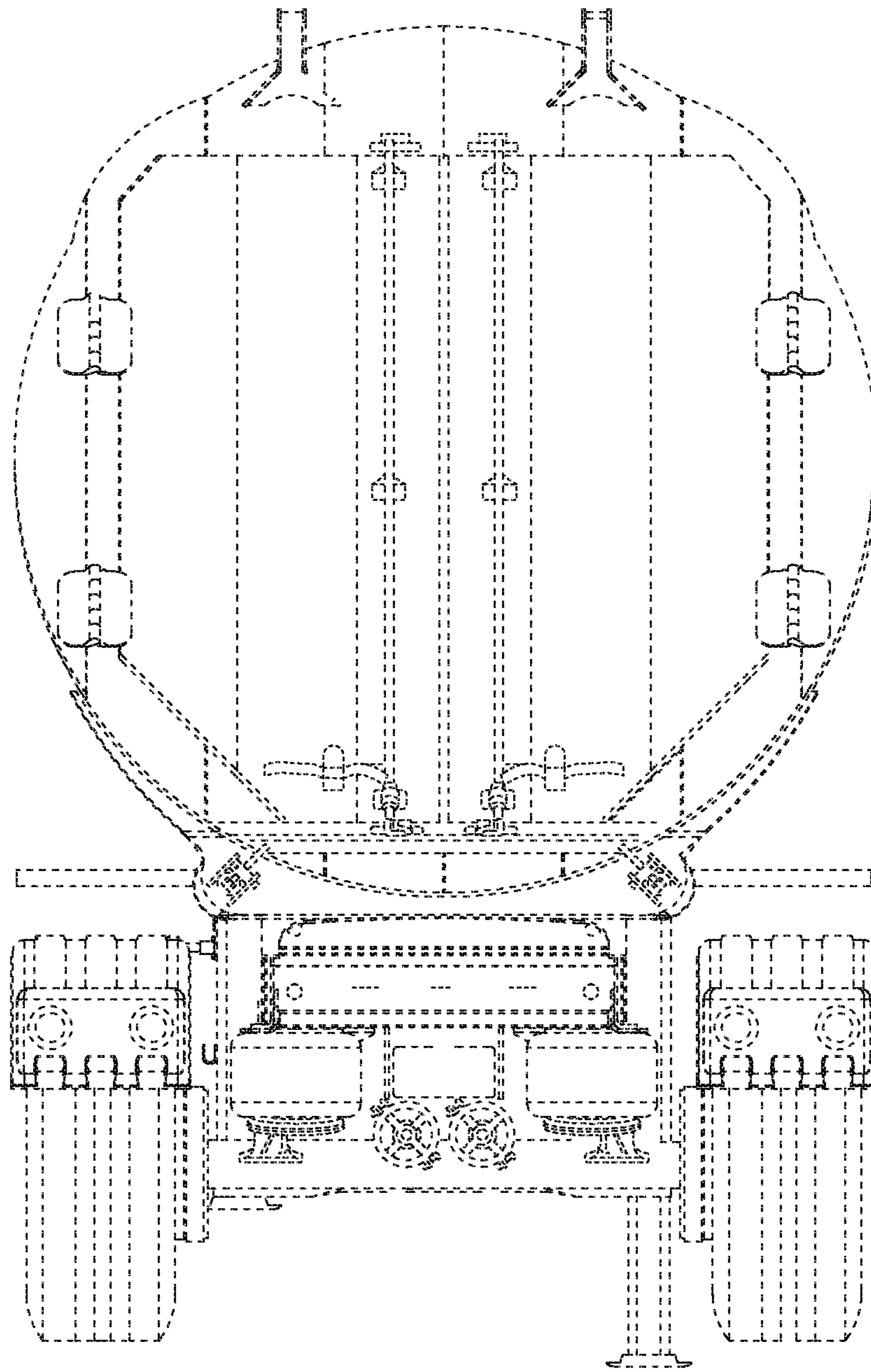


FIG. 4

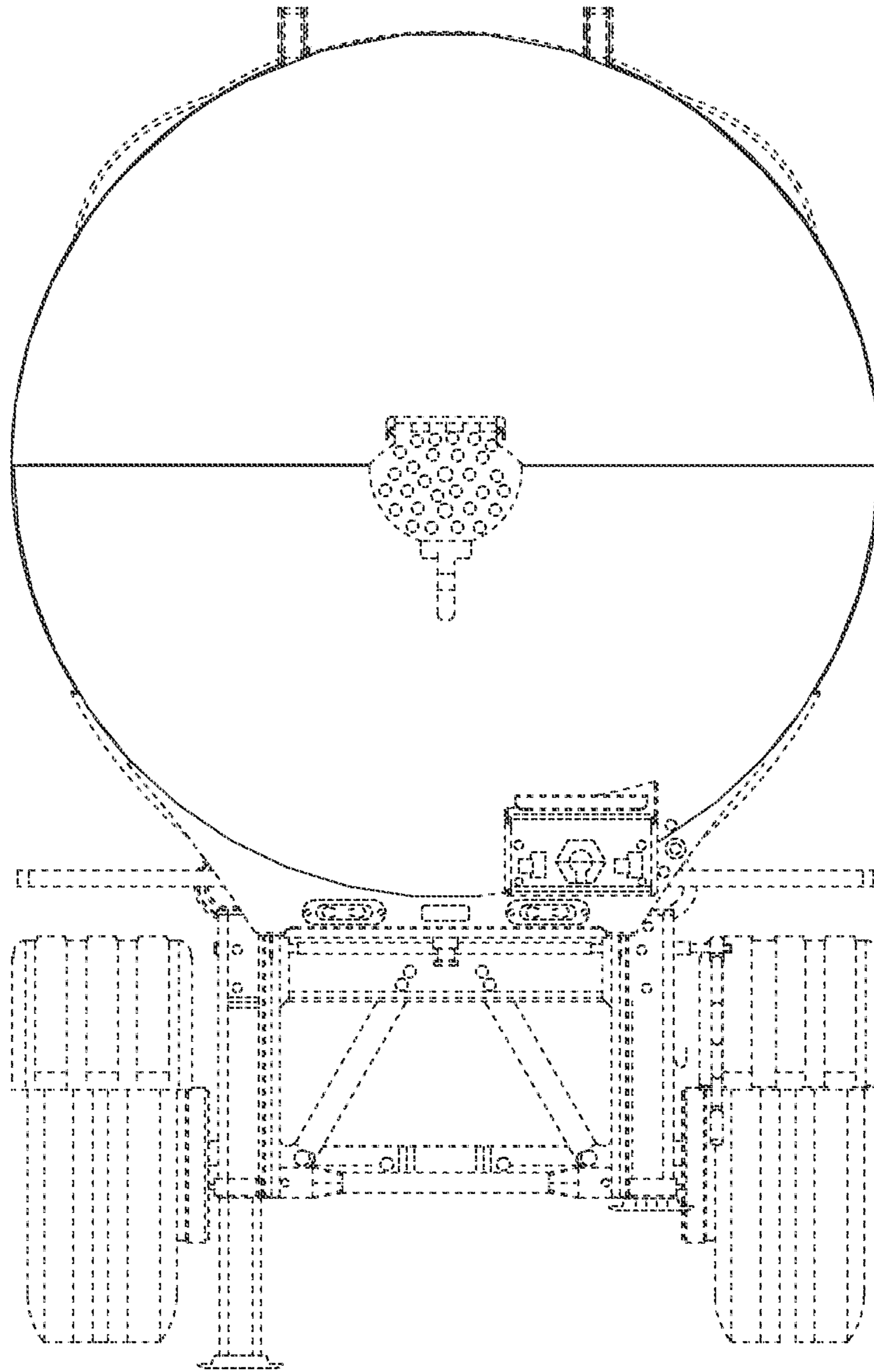


FIG. 5

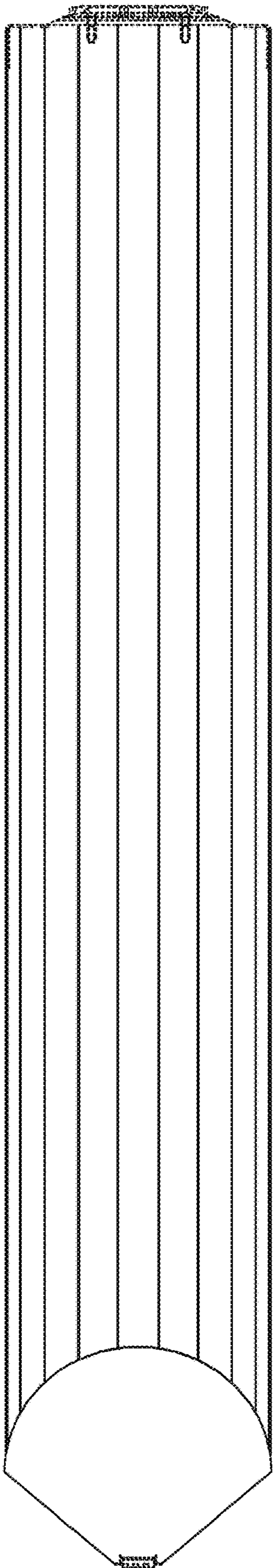


FIG. 6

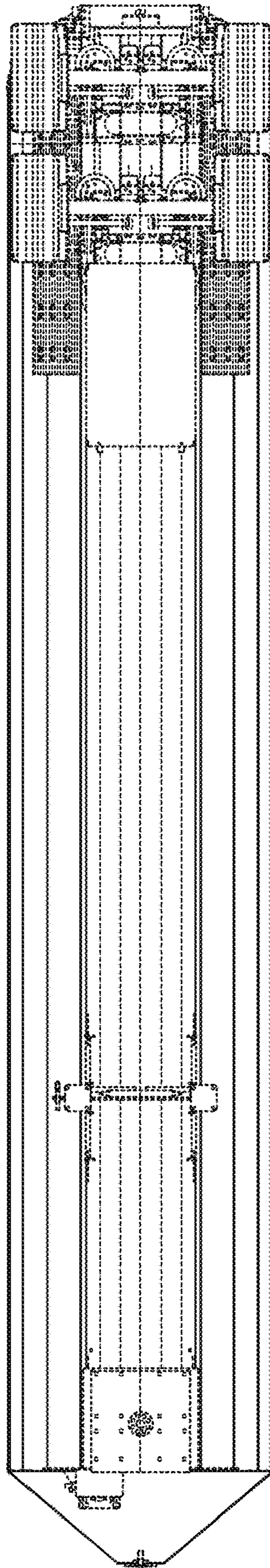


FIG. 7