



US00D915942S

(12) **United States Design Patent**
Matsuoka et al.

(10) **Patent No.:** **US D915,942 S**
(45) **Date of Patent:** **** Apr. 13, 2021**

(54) **AUTOMOBILE**

(71) Applicant: **MITSUBISHI JIDOSHA KOGYO**
KABUSHIKI KAISHA, Tokyo (JP)

(72) Inventors: **Ryosuke Matsuoka**, Tokyo (JP);
Shuichiro Yamamoto, Tokyo (JP);
Kenichi Noda, Tokyo (JP)

(73) Assignee: **MITSUBISHI JIDOSHA KOGYO**
KABUSHIKI KAISHA, Tokyo (JP)

(**) Term: **15 Years**

(21) Appl. No.: **29/699,286**

(22) Filed: **Jul. 24, 2019**

(30) **Foreign Application Priority Data**

Jan. 25, 2019 (JP) 2019-001413

(51) **LOC (13) Cl.** **12-08**

(52) **U.S. Cl.**
USPC **D12/92**

(58) **Field of Classification Search**
USPC D12/86, 90-92, 88; D21/424, 433, 434,
D21/533; 296/181.1-181.5, 183.1
CPC B62D 25/00; B62D 25/06; B62D 33/00;
B62D 35/00
See application file for complete search history.

(56) **References Cited**

U.S. PATENT DOCUMENTS

D584,996 S * 1/2009 Jamieson D12/91
D683,264 S * 5/2013 Kanazawa D12/91

D695,645 S * 12/2013 Tase D12/91
D697,834 S * 1/2014 Okue D12/91
D719,875 S * 12/2014 Jang D12/91
D755,676 S * 5/2016 Yoshimine D12/91
D804,369 S * 12/2017 Akita D12/164
D823,722 S 7/2018 Hoste et al.
D830,246 S * 10/2018 Yoshimine D12/164
D830,906 S * 10/2018 Yoshimine D12/91
D835,546 S 12/2018 Sarreméjean et al.
D864,025 S * 10/2019 Tomasson D12/91
D881,755 S * 4/2020 Tomasson D12/91
D892,681 S * 8/2020 Nishikado D12/91

* cited by examiner

Primary Examiner — Melody N Brown

(74) *Attorney, Agent, or Firm* — Birch, Stewart, Kolasch
& Birch, LLP

(57) **CLAIM**

The ornamental design for an automobile, as shown and described.

DESCRIPTION

FIG. 1 is a front and right side perspective view of an automobile showing our new design;
FIG. 2 is a rear and left side perspective view thereof;
FIG. 3 is a front view thereof;
FIG. 4 is a rear view thereof;
FIG. 5 is a left side view thereof;
FIG. 6 is a right side view thereof;
FIG. 7 is a top view thereof; and,
FIG. 8 is a bottom view thereof.

1 Claim, 8 Drawing Sheets

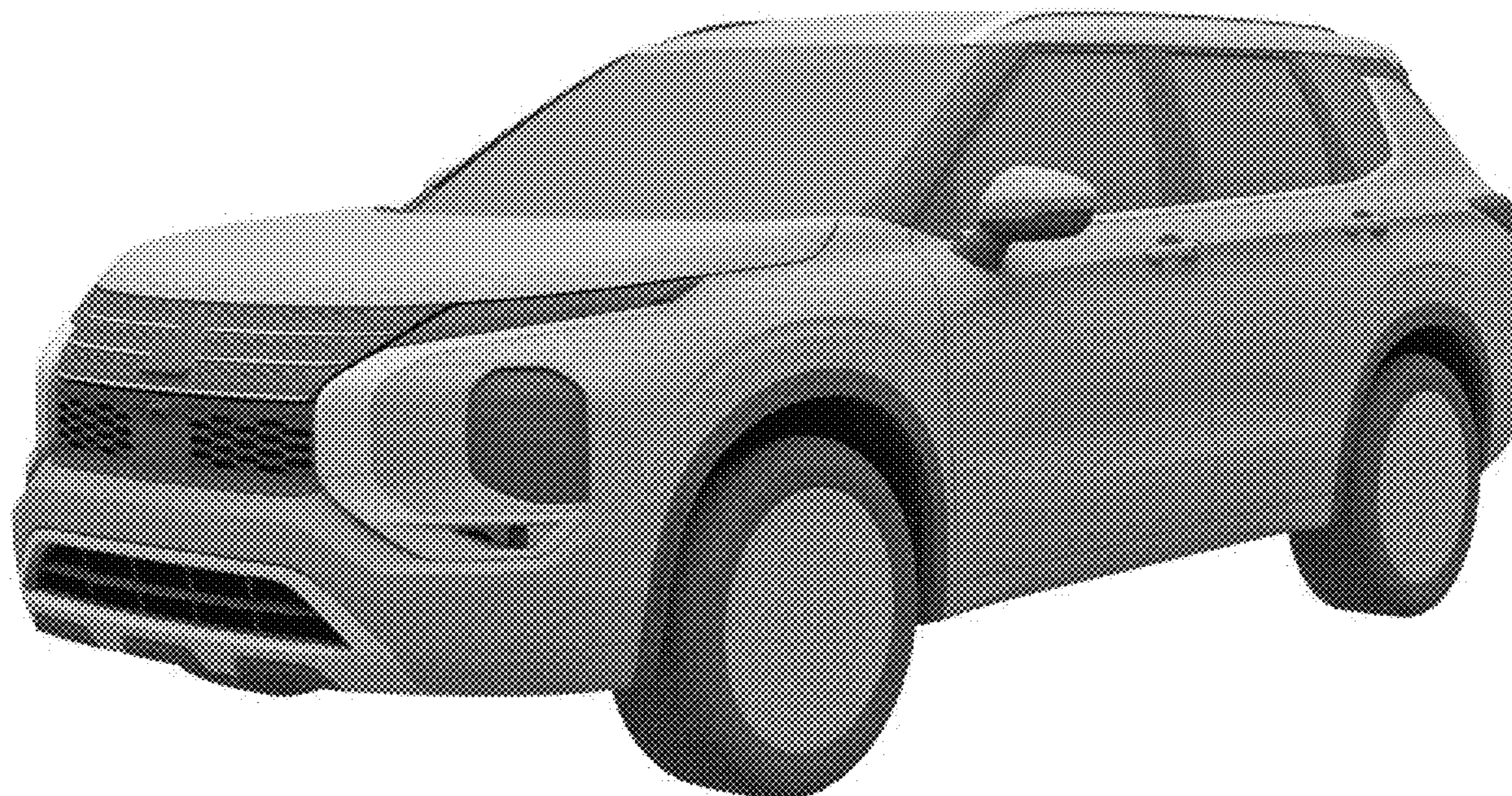


Fig. 1

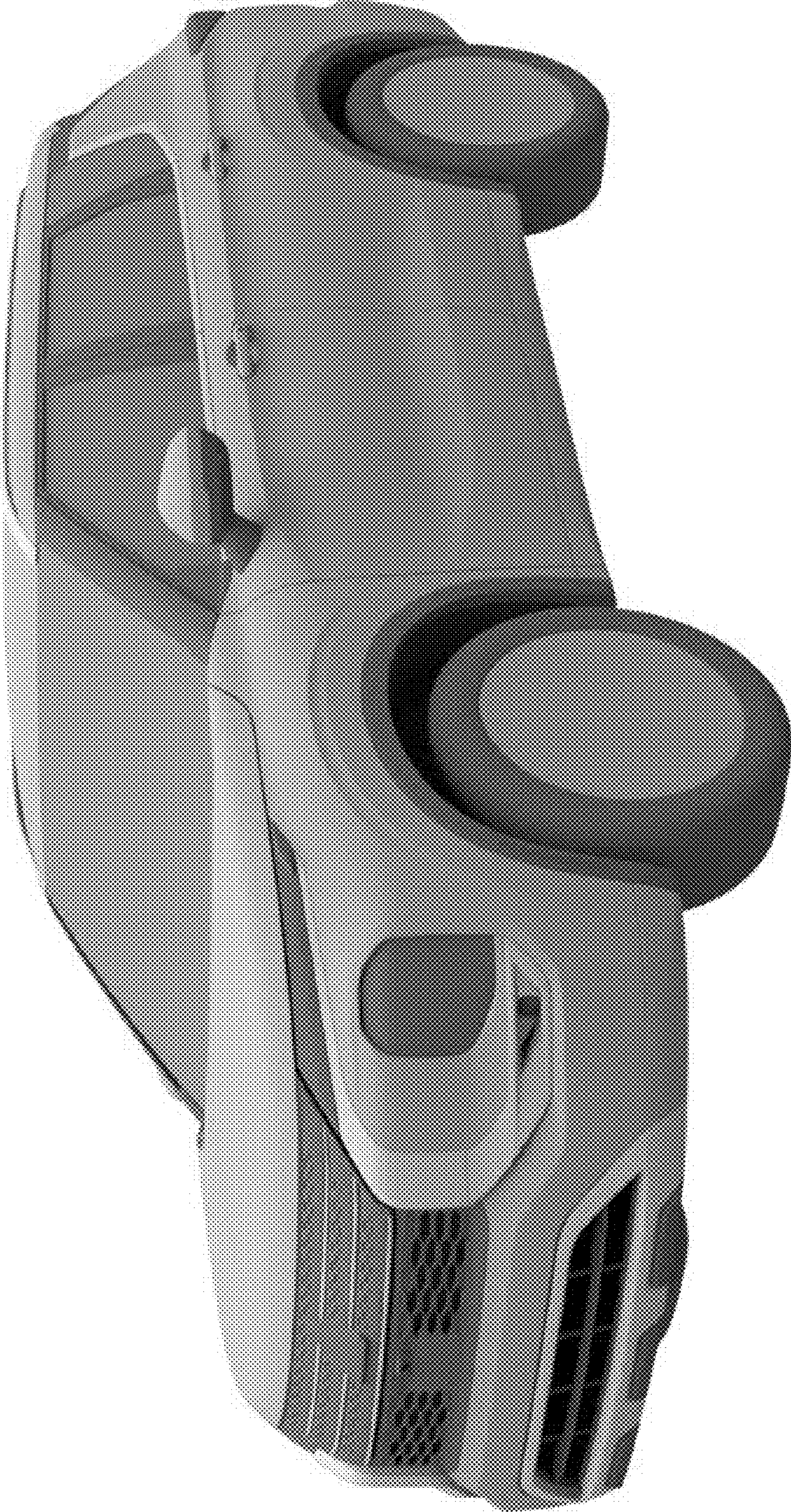


Fig. 2



Fig. 3

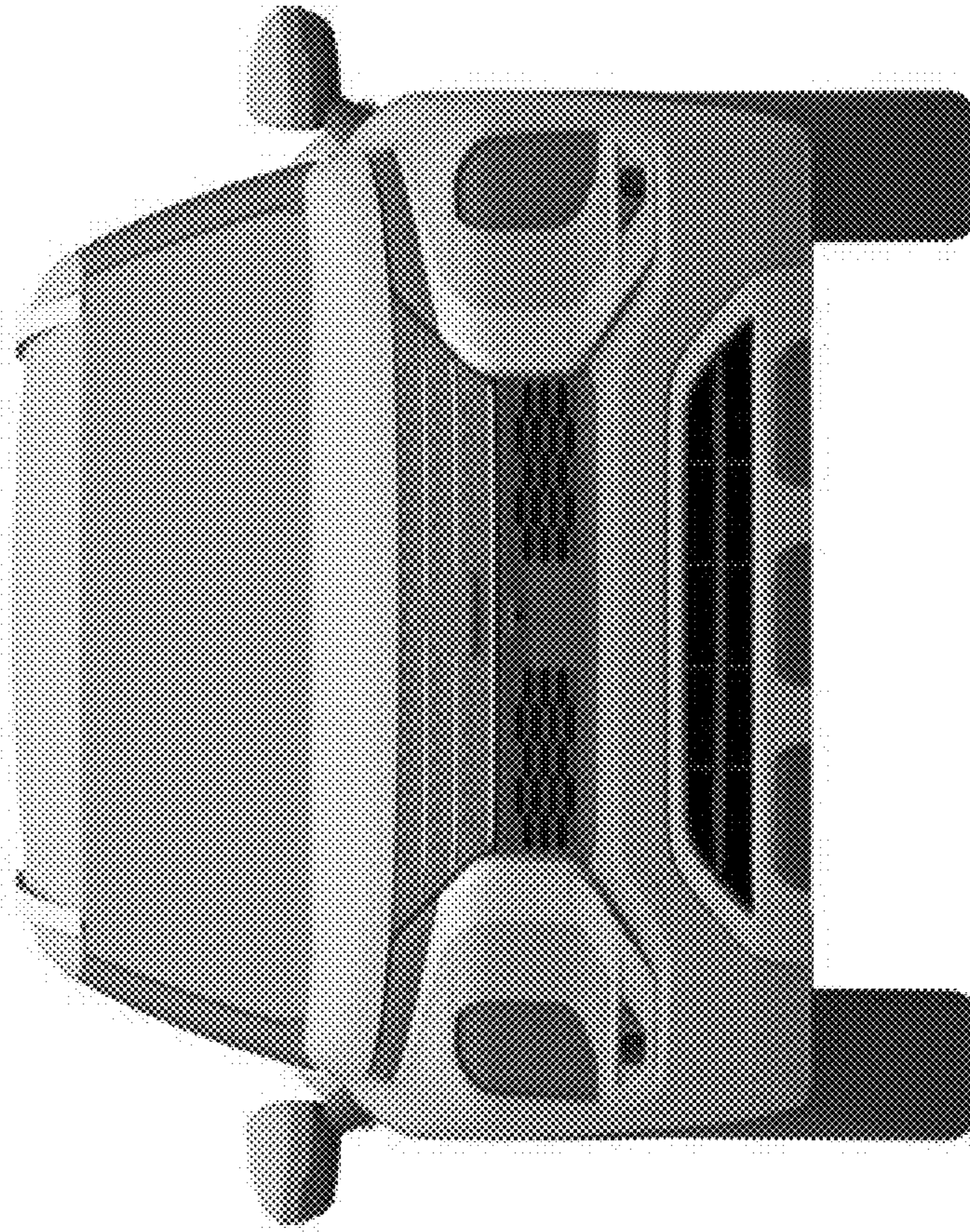


Fig. 4



Fig. 5

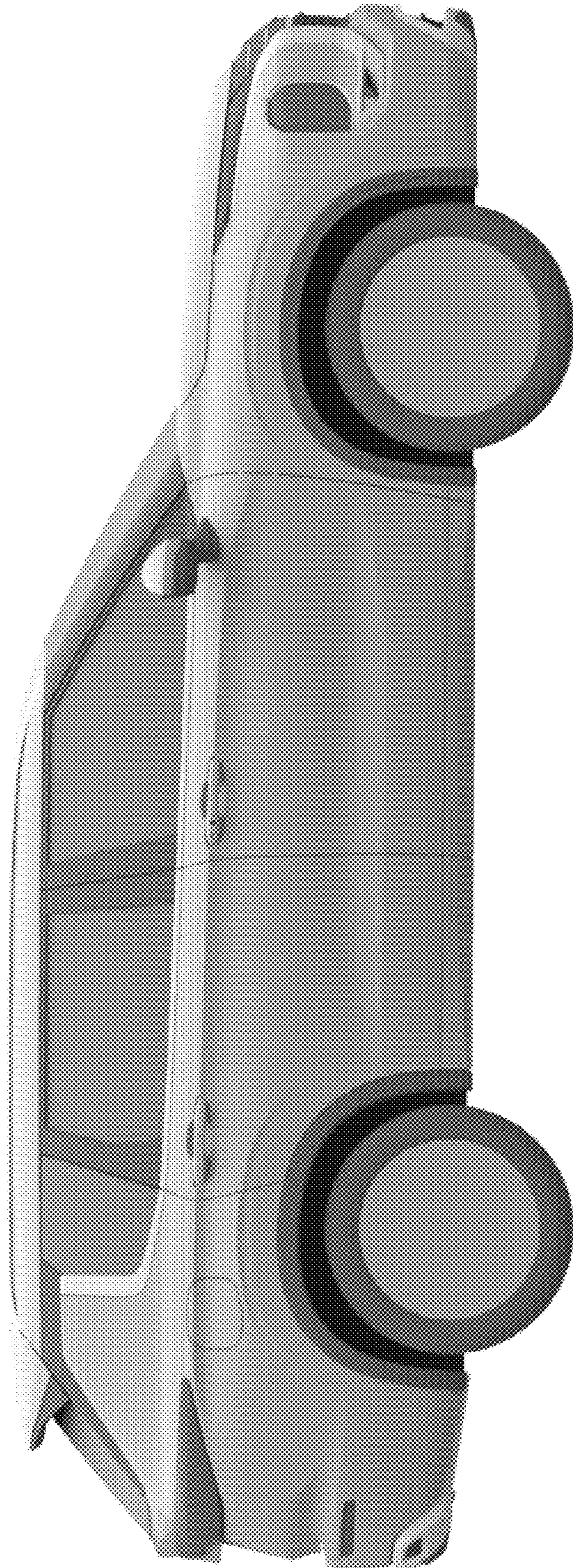


Fig. 6

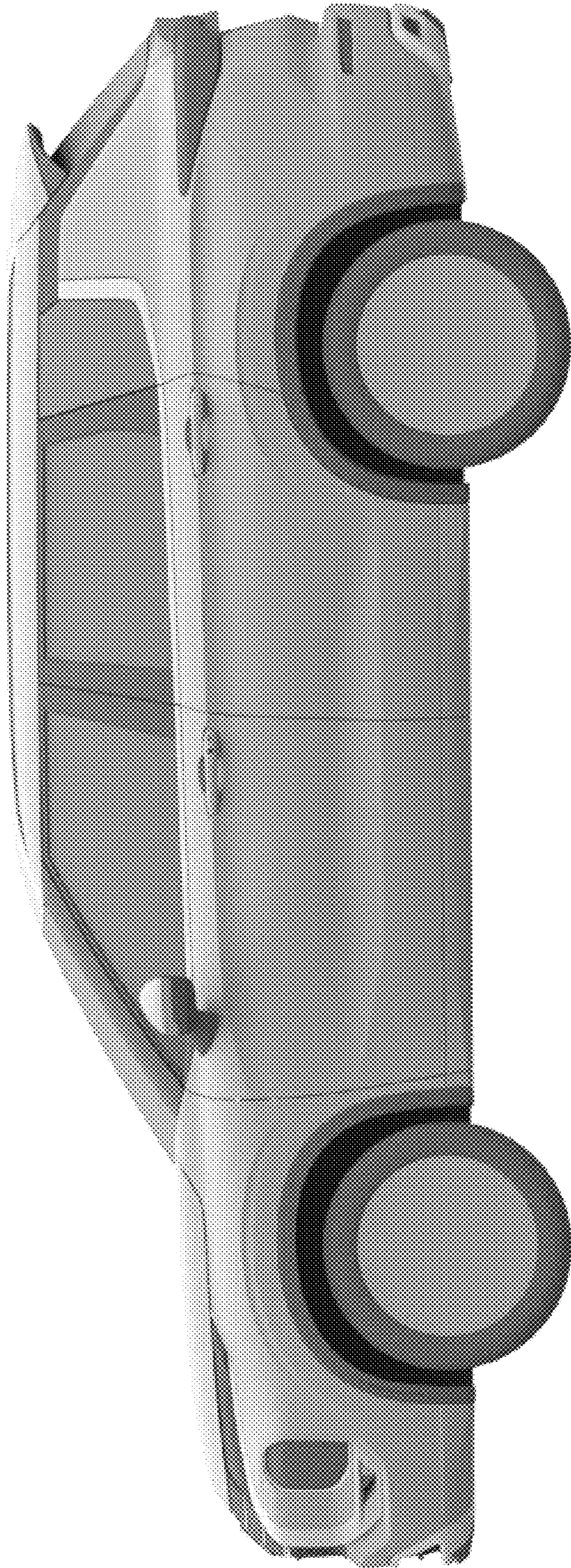
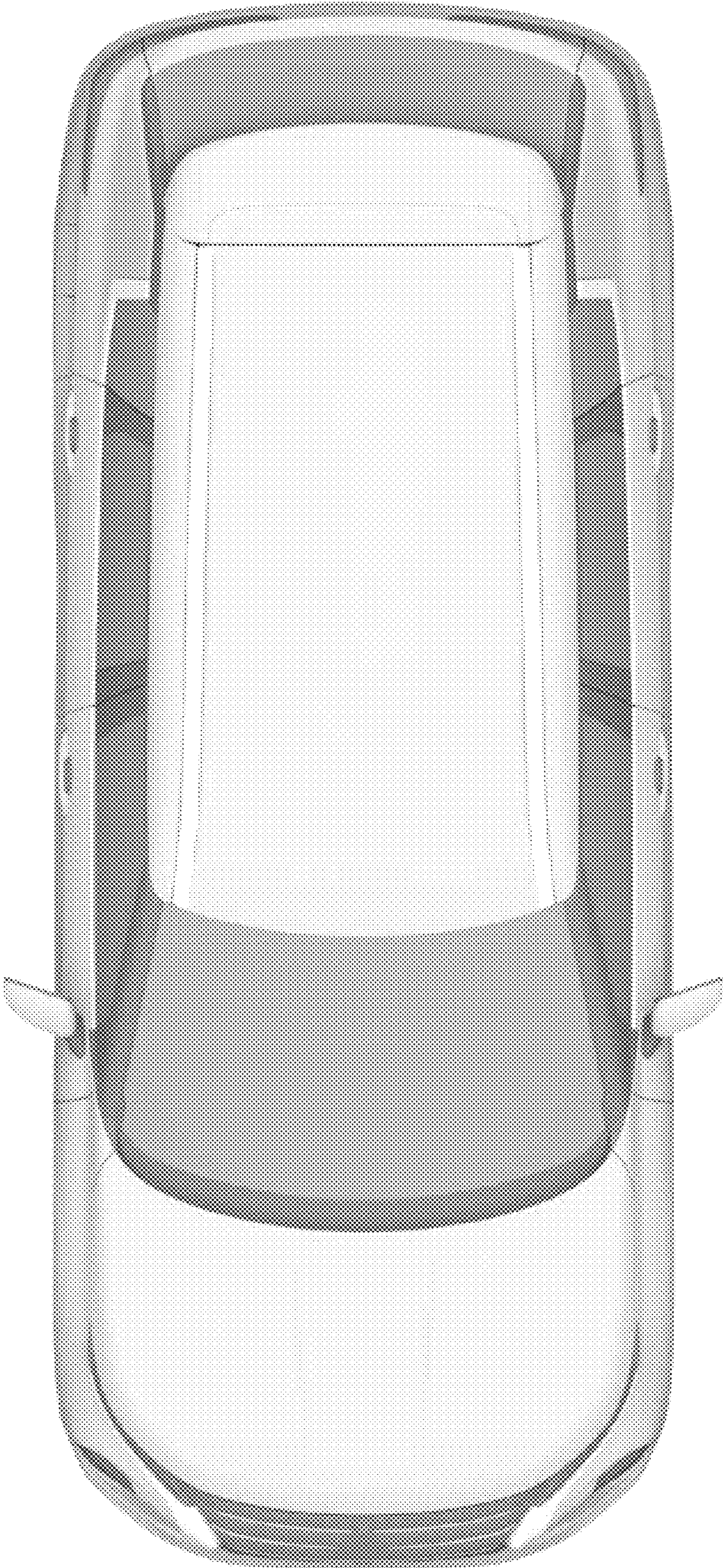


Fig. 7



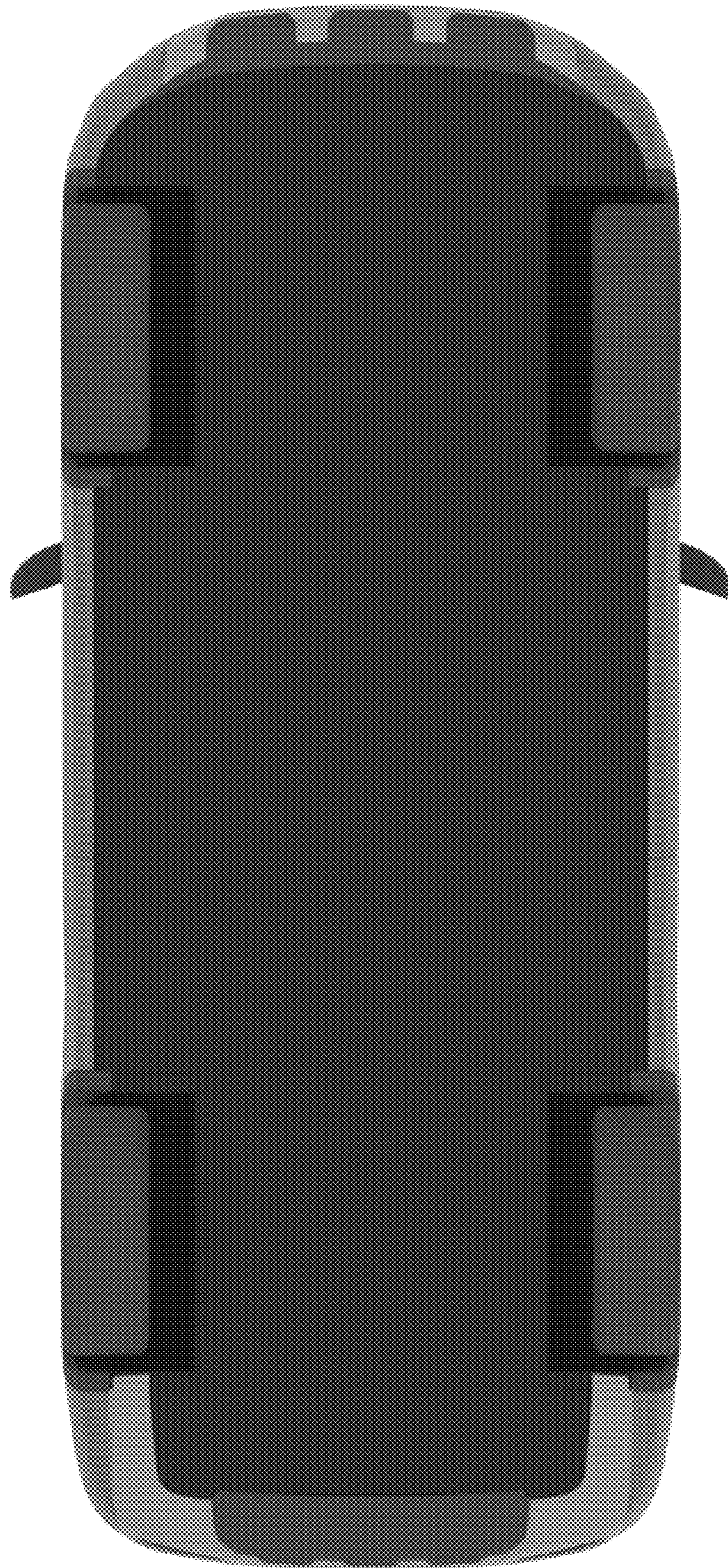


Fig. 8