



US00D915941S

(12) **United States Design Patent** (10) **Patent No.:** **US D915,941 S**
Nishio et al. (45) **Date of Patent:** **** Apr. 13, 2021**

(54) **THREE-WHEELED ELECTRIC VEHICLE**
 (71) Applicant: **AISIN SEIKI KABUSHIKI KAISHA**,
 Kariya (JP)
 (72) Inventors: **Yasuaki Nishio**, Kariya (JP); **Yuya Nishi**, Kariya (JP); **Beomseok Kim**,
 Kariya (JP)
 (73) Assignee: **AISIN SEIKI KABUSHIKI KAISHA**,
 Kariya (JP)
 (**) Term: **15 Years**

(21) Appl. No.: **29/710,440**
 (22) Filed: **Oct. 23, 2019**

(30) **Foreign Application Priority Data**

Apr. 24, 2019 (JP) 2019-009187

(51) **LOC (13) Cl.** **12-13**
 (52) **U.S. Cl.**
 USPC **D12/1**

(58) **Field of Classification Search**

USPC D12/1, 107, 110, 112, 85, 86, 113, 128,
 D12/130, 6, 8, 317, 111, 300, 316;
 D21/419, 763, 421, 423, 426, 760, 765,
 D21/766, 769, 771, 776, 803, 778;
 D15/5, 199; D16/242, 245, 250
 CPC A63C 17/01; A63C 17/12; A63C 2203/00;
 A63C 2203/01; A63C 2203/02; A63C
 2203/03; A63C 2203/40; A63C 2203/52;
 A63C 17/0033; A63C 17/016; A63C
 17/08; B62D 51/02; B62D 51/001; B62D
 61/00; B62D 37/00; B62K 2202/00;
 B62K 2207/00; B62K 2207/02; B62K
 2207/04; B62K 3/007; B62K 17/00;
 B62K 11/007; B62K 1/00; B60N 2/002;
 B60G 17/019; B62J 23/00; B62J 1/08
 See application file for complete search history.

(56) **References Cited**

U.S. PATENT DOCUMENTS

D306,631 S * 3/1990 Aguilar D12/314
 D401,287 S * 11/1998 Ritzinger D21/760
 6,270,091 B1 * 8/2001 Smith A63C 5/031
 280/14.21
 6,708,642 B1 * 3/2004 Taylor B63B 1/042
 114/290
 D669,548 S * 10/2012 Titley D21/769
 D669,549 S * 10/2012 Titley D21/769

(Continued)

FOREIGN PATENT DOCUMENTS

JP 1565018 S 12/2016
 WO DM095640 9/2017

(Continued)

Primary Examiner — Ania Aman

(74) *Attorney, Agent, or Firm* — Buchanan Ingersoll &
 Rooney PC

(57) **CLAIM**

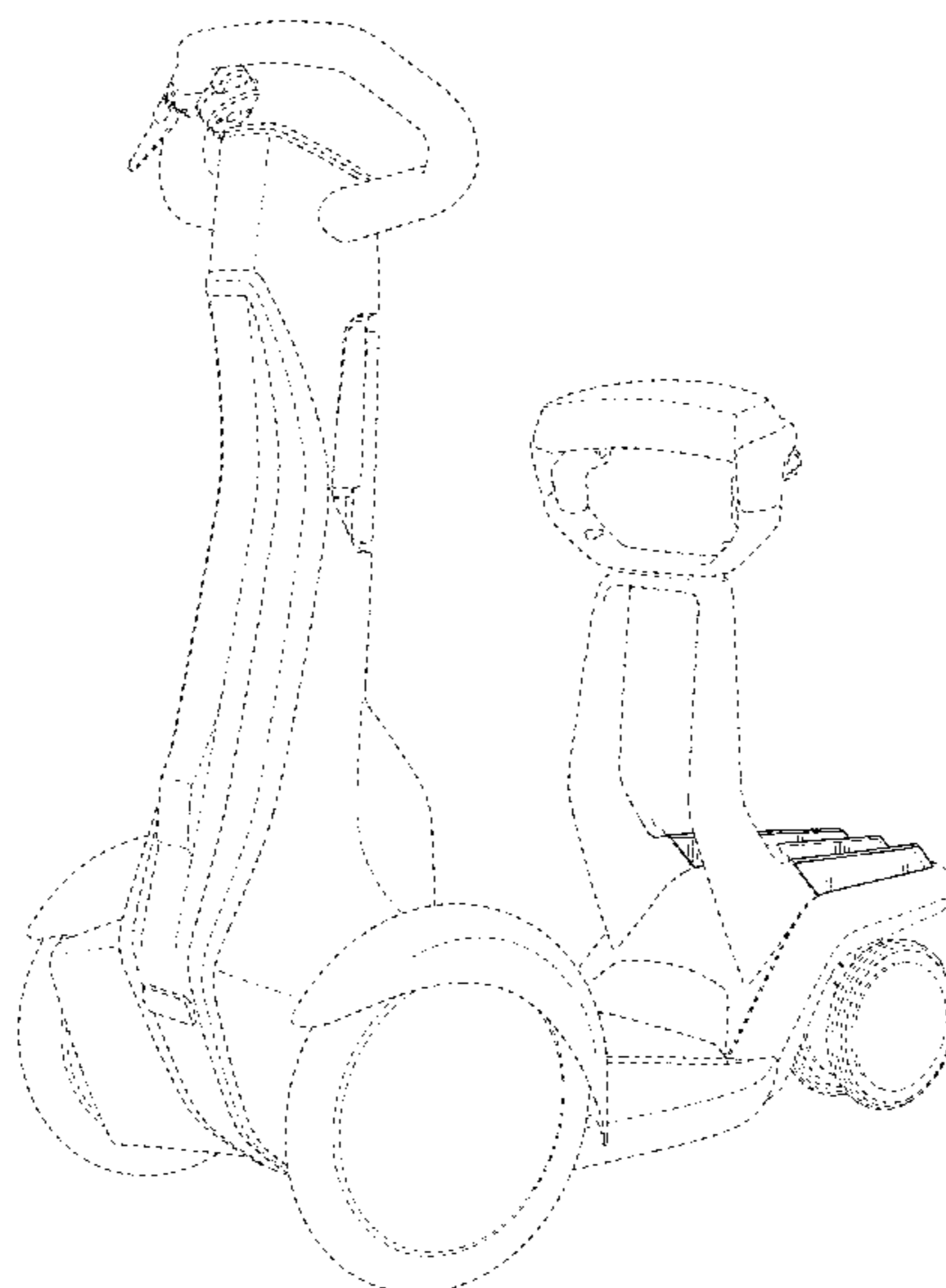
The ornamental design for a three-wheeled electric vehicle,
 as shown and described.

DESCRIPTION

FIG. 1 is a front perspective view of a three-wheeled electric vehicle showing our new design;
 FIG. 2 is a rear perspective view thereof;
 FIG. 3 is a front view thereof;
 FIG. 4 is a rear view thereof;
 FIG. 5 is a top plan view thereof;
 FIG. 6 is a bottom plan view thereof;
 FIG. 7 is a right side view thereof; and,
 FIG. 8 is a left side view thereof.

The broken lines illustrate portions of the three-wheeled electric vehicle that form no part of the claimed design. The dash-dotted lines denote the boundary of the claim and form no part of the claimed design.

1 Claim, 8 Drawing Sheets



(56)

References Cited

U.S. PATENT DOCUMENTS

D697,570 S * 1/2014 Samuels D21/771
D768,755 S * 10/2016 Thomas D16/242
D798,367 S * 9/2017 Nakajima D16/242
2005/0280230 A1 * 12/2005 Lin A63C 17/26
280/87.042

FOREIGN PATENT DOCUMENTS

WO DM100996 9/2018
WO DM100997 9/2018

* cited by examiner

FIG. 1

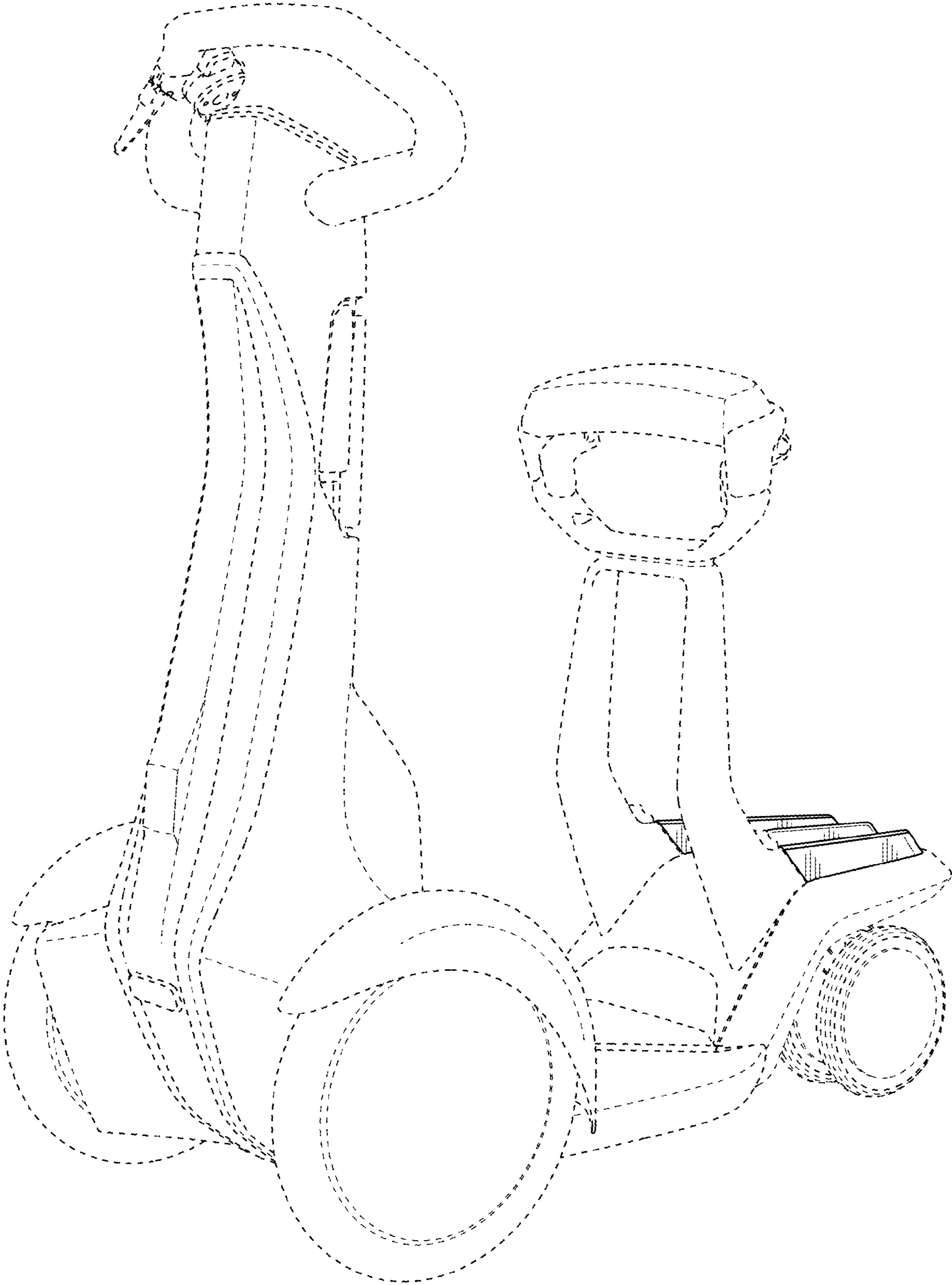


FIG. 2

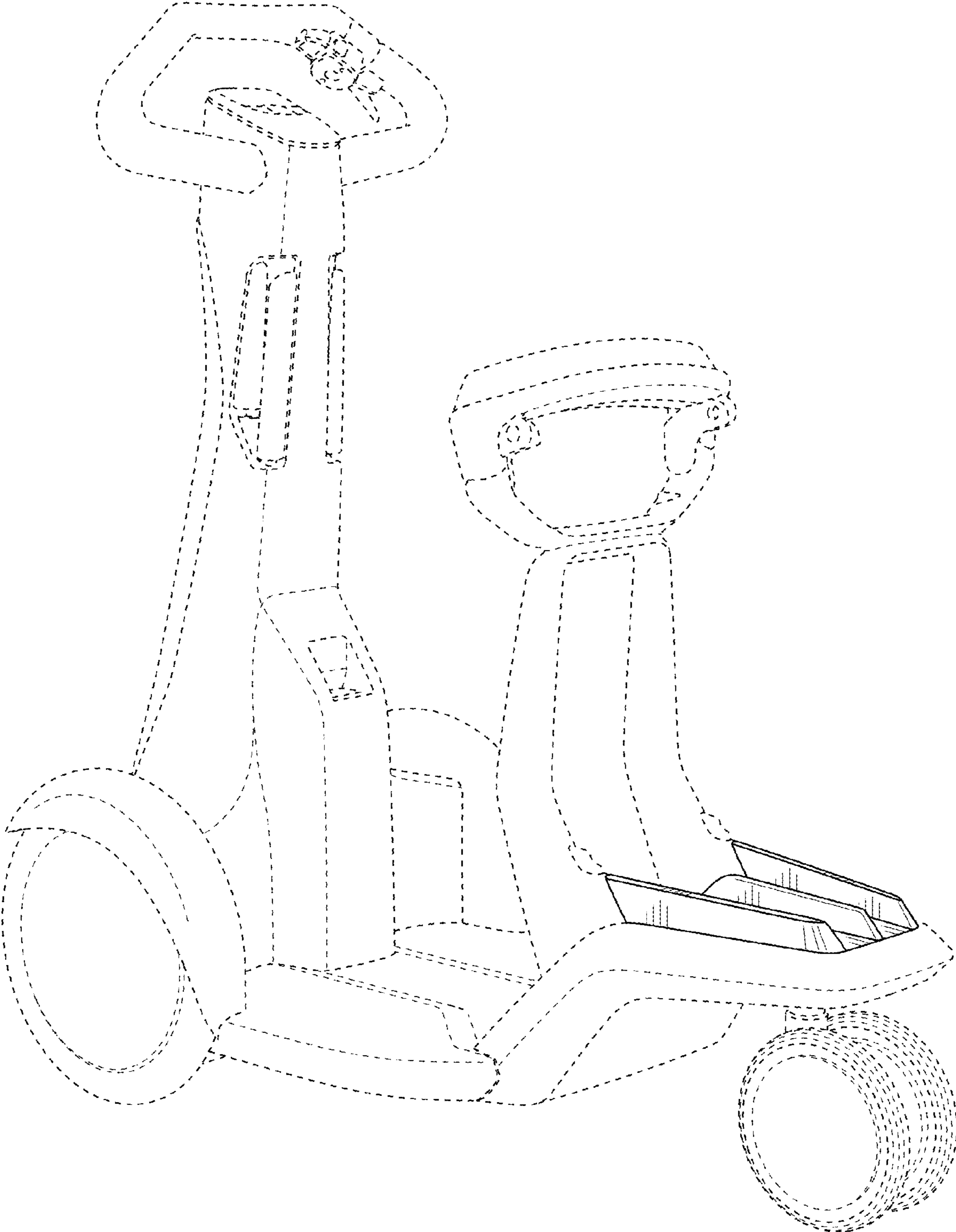


FIG. 3

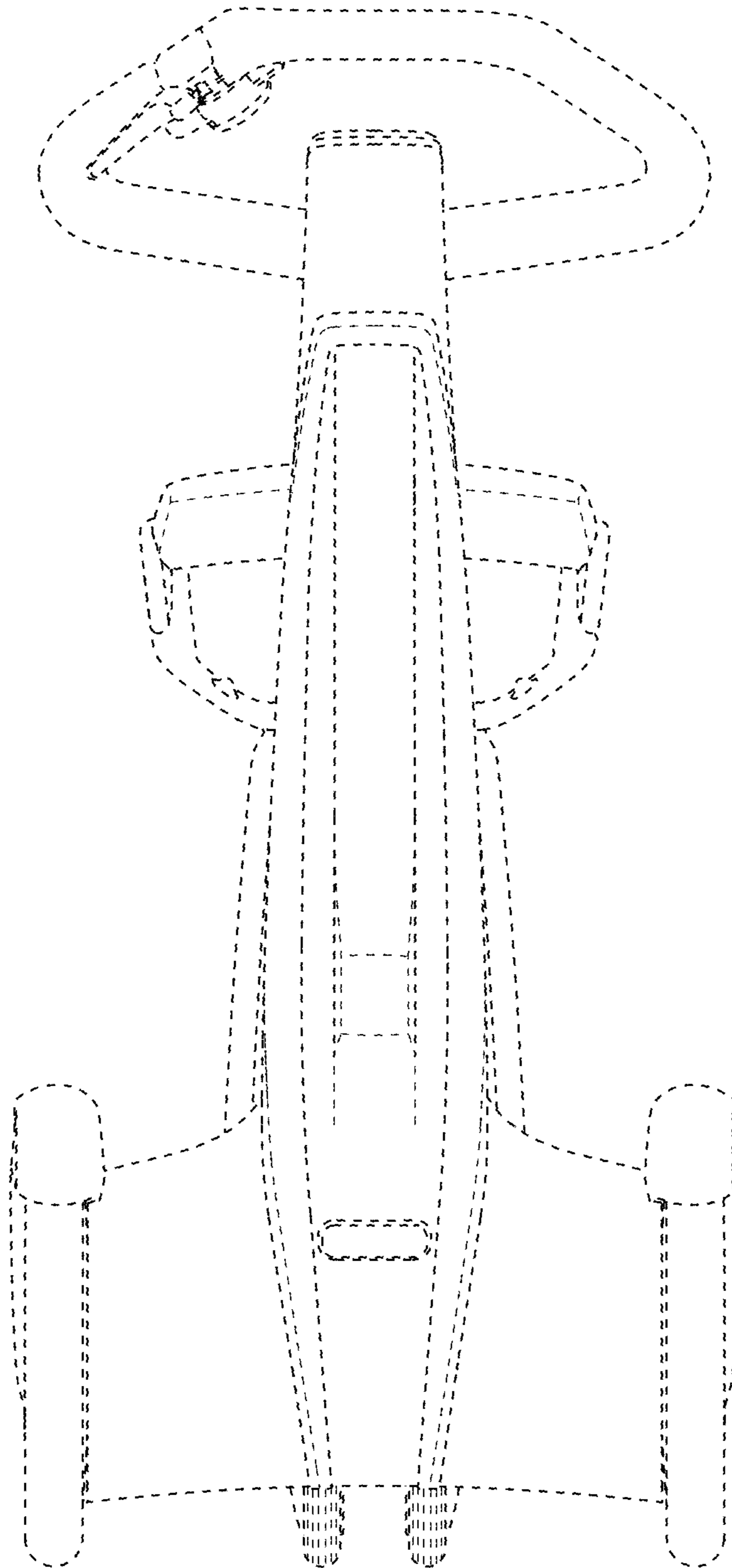


FIG. 4

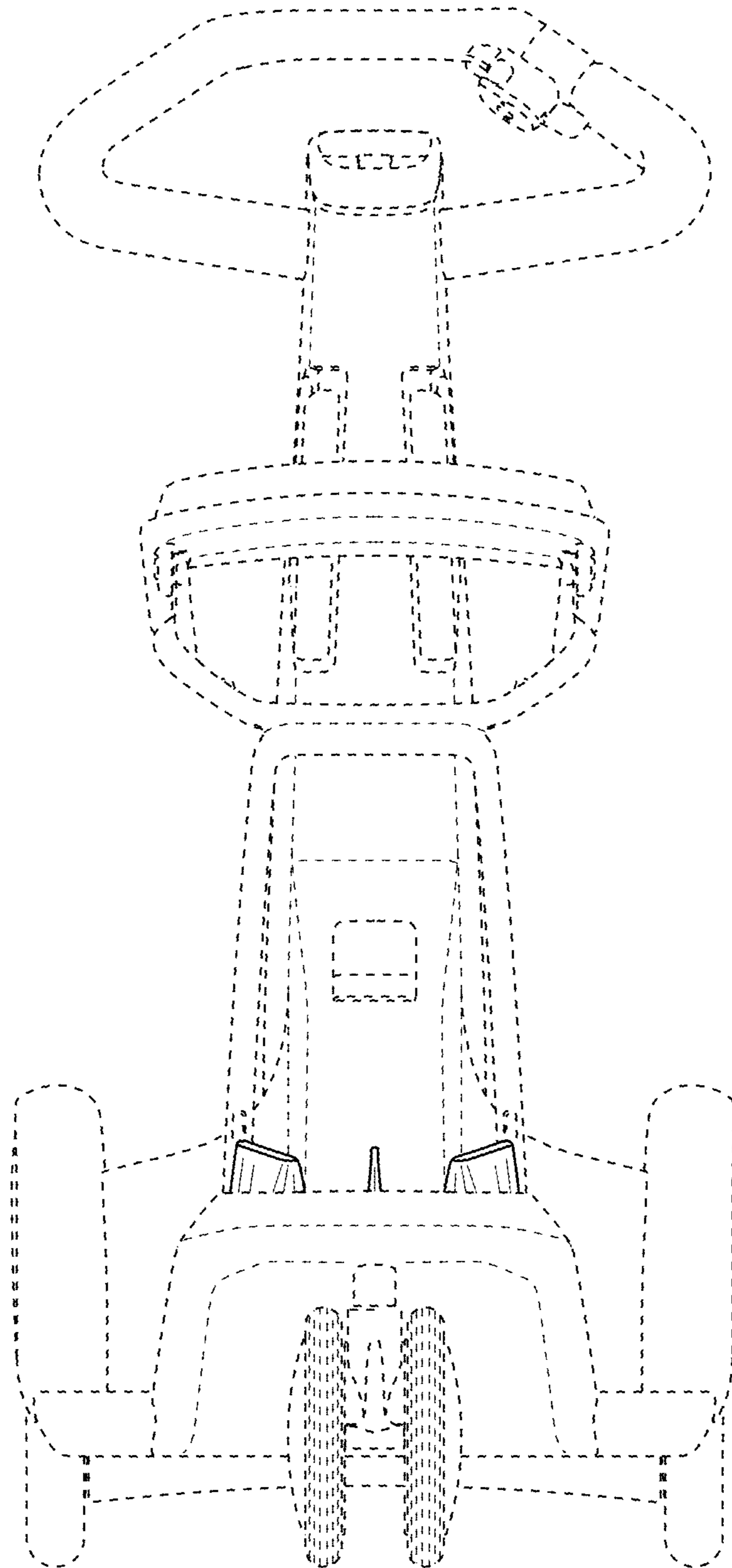


FIG. 5

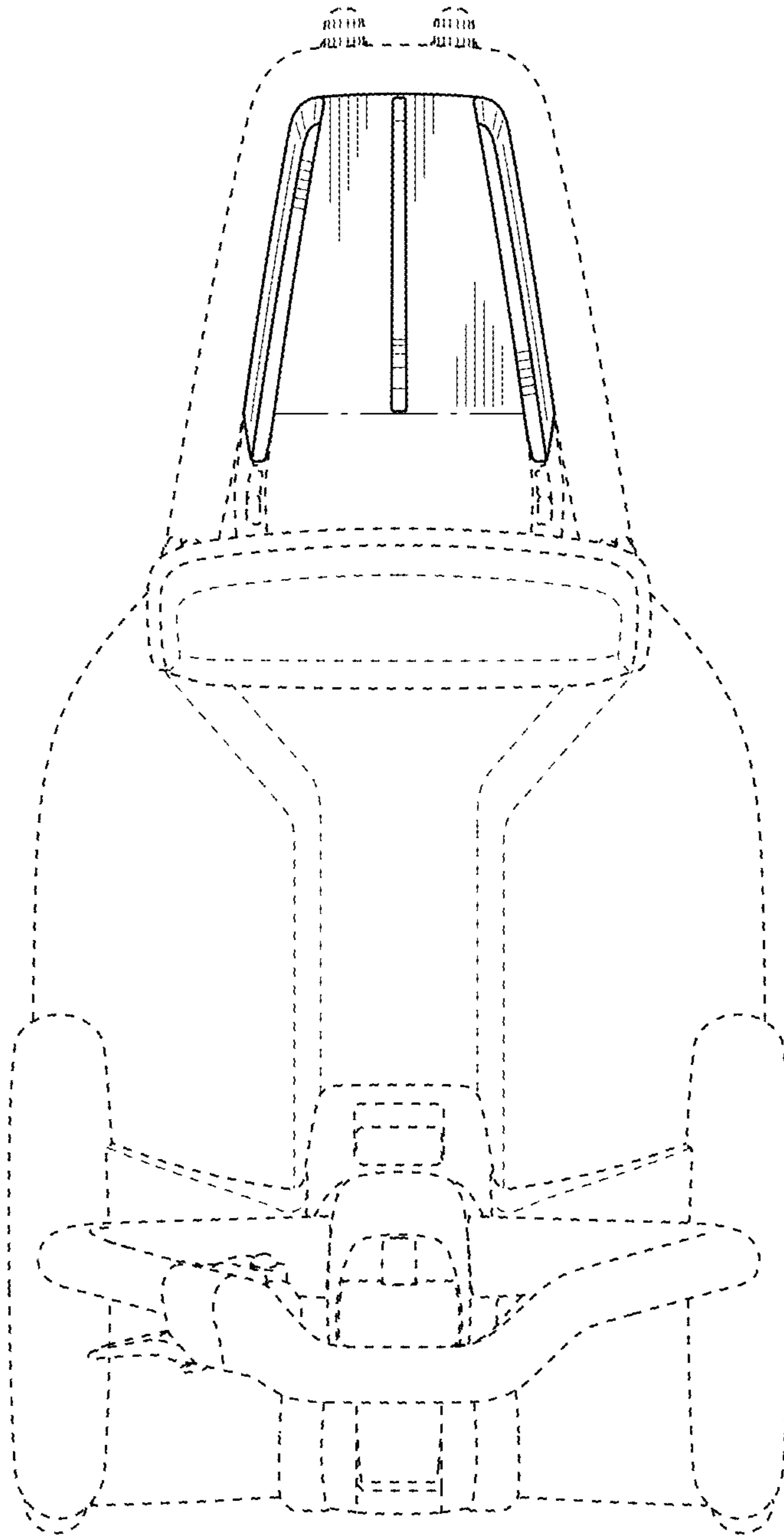


FIG. 6

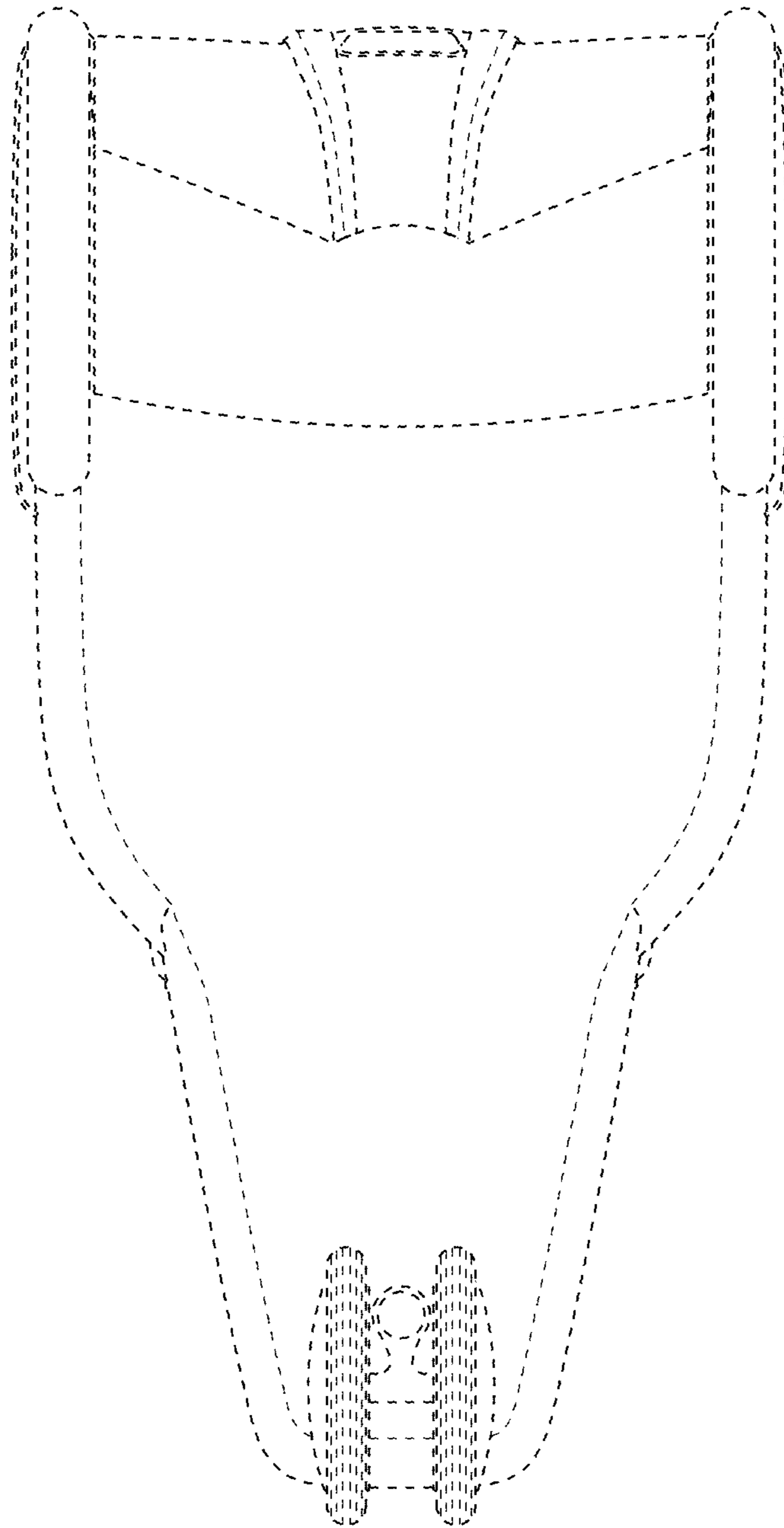


FIG. 7

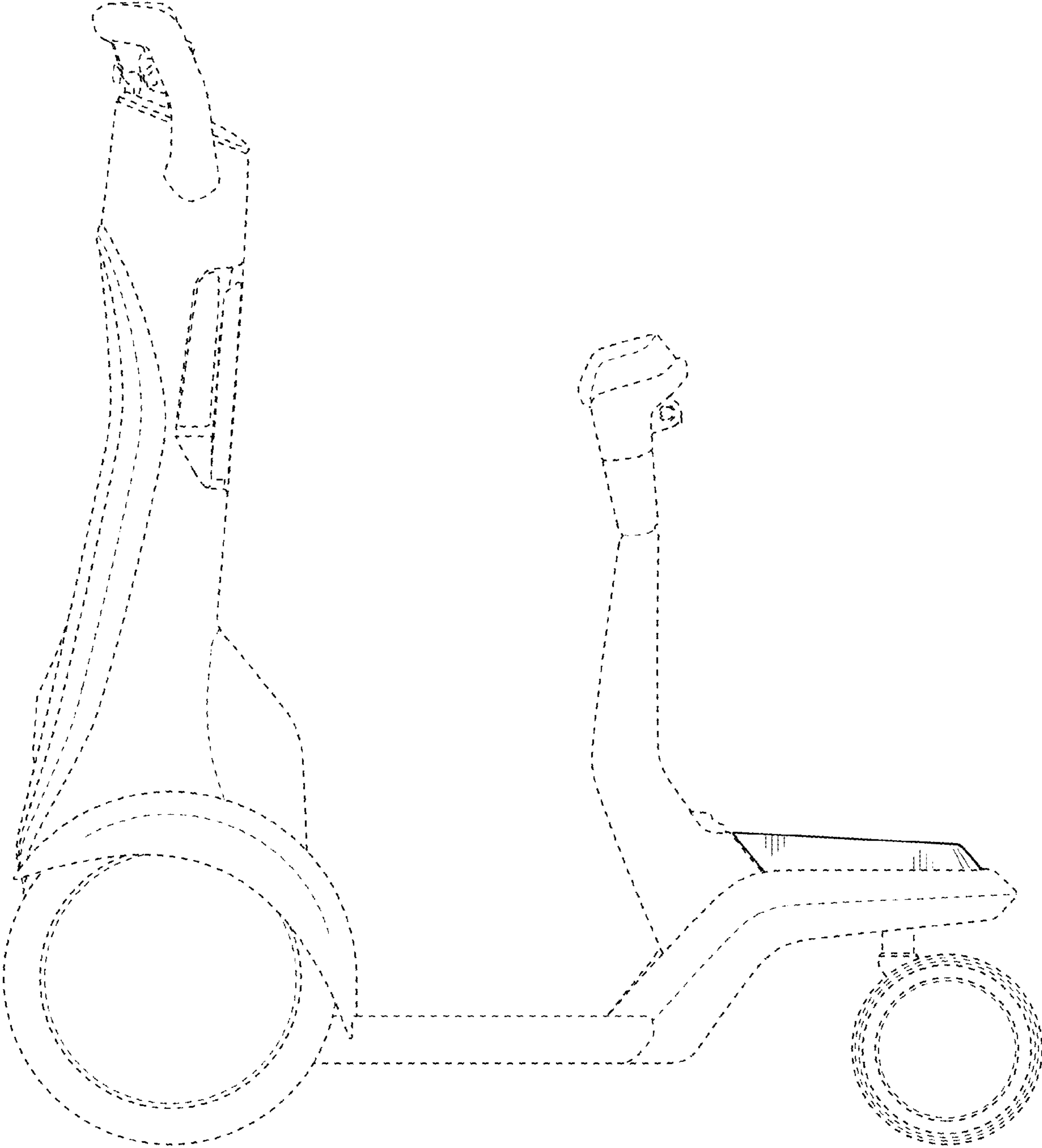


FIG. 8

