



US00D915939S

(12) **United States Design Patent** (10) **Patent No.:** **US D915,939 S**
Mouquet et al. (45) **Date of Patent:** **** Apr. 13, 2021**

(54) **BELT BUCKLE**

(56) **References Cited**

(71) Applicant: **HERMES SELLIER (Société par actions simplifiée)**, Paris (FR)

U.S. PATENT DOCUMENTS

(72) Inventors: **Philippe Mouquet**, Paris (FR);
Catherine de Karolyi, Paris (FR)

D68,098 S *	9/1925	Gibbs	D11/218
D77,791 S *	2/1929	Slote	D11/218
D525,907 S *	8/2006	Mouquet	D11/234
D536,281 S *	2/2007	Mouquet	D11/234
D556,081 S *	11/2007	Mouquet	D11/87
D830,227 S *	10/2018	Mouquet	D11/231
D856,190 S *	8/2019	Dumas	D11/231

(**) Term: **15 Years**

* cited by examiner

(21) Appl. No.: **35/508,465**

(22) Filed: **Jul. 31, 2019**

Primary Examiner — Michael A. Pratt

(80) **Hague Agreement Data**

Int. Filing Date: **Jul. 31, 2019**

Int. Reg. No.: **DM/204466**

Int. Reg. Date: **Jul. 31, 2019**

Int. Reg. Pub. Date: **Jan. 31, 2020**

(57) **CLAIM**

The ornamental design for a belt buckle, as shown and described.

(51) **LOC (13) Cl.** **02-07**

DESCRIPTION

(52) **U.S. Cl.**

USPC **D11/231**

(58) **Field of Classification Search**

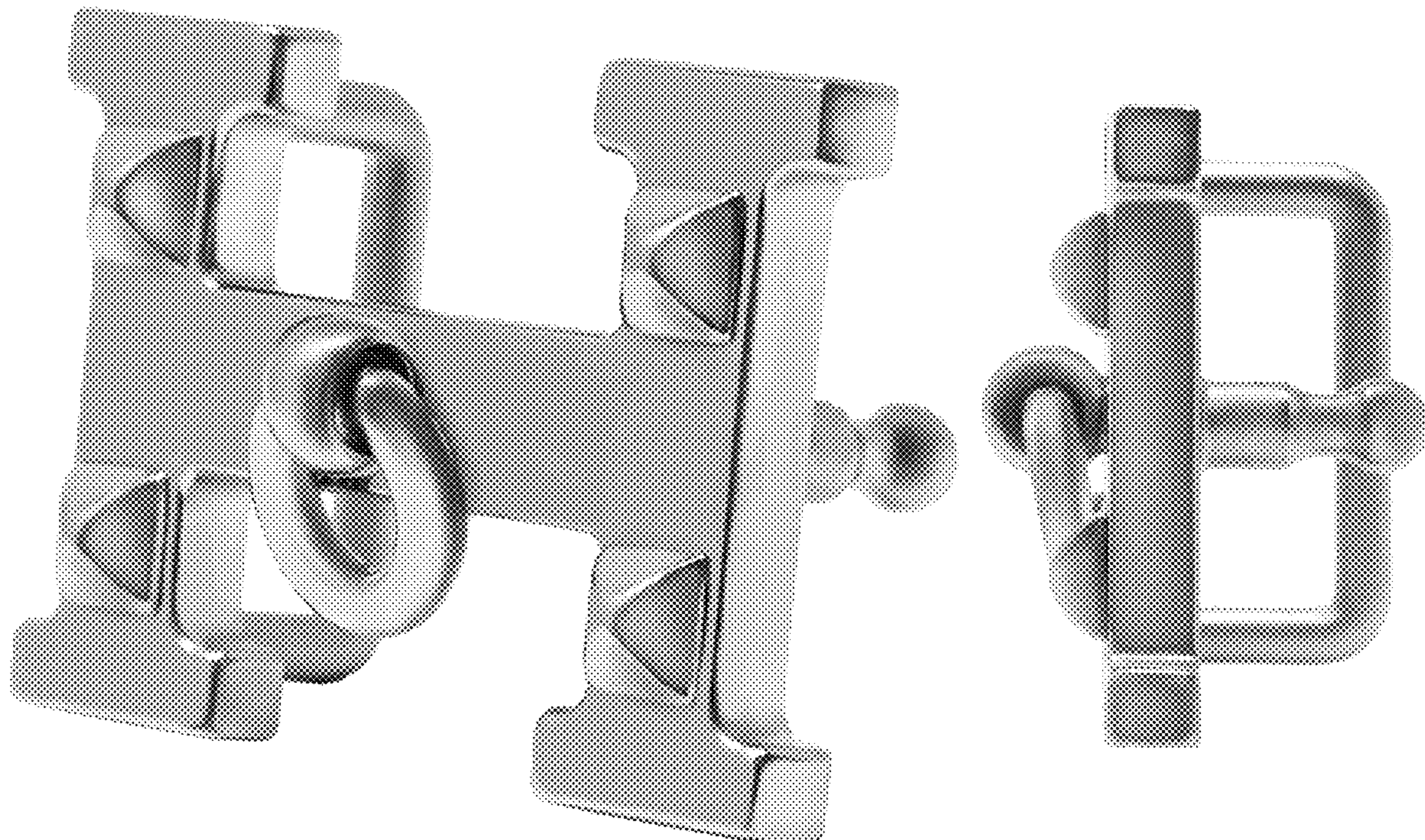
USPC D11/200, 202, 204, 206, 208, 209, 210,
D11/212, 218–219, 230–231, 232;
D8/349

CPC ... A44B 11/2561; A44B 11/006; A44B 11/24;
A44B 11/001; A44B 11/22; A44B 11/04;
A44B 11/2576; A44B 11/28; B68C 1/14;
G09F 3/18

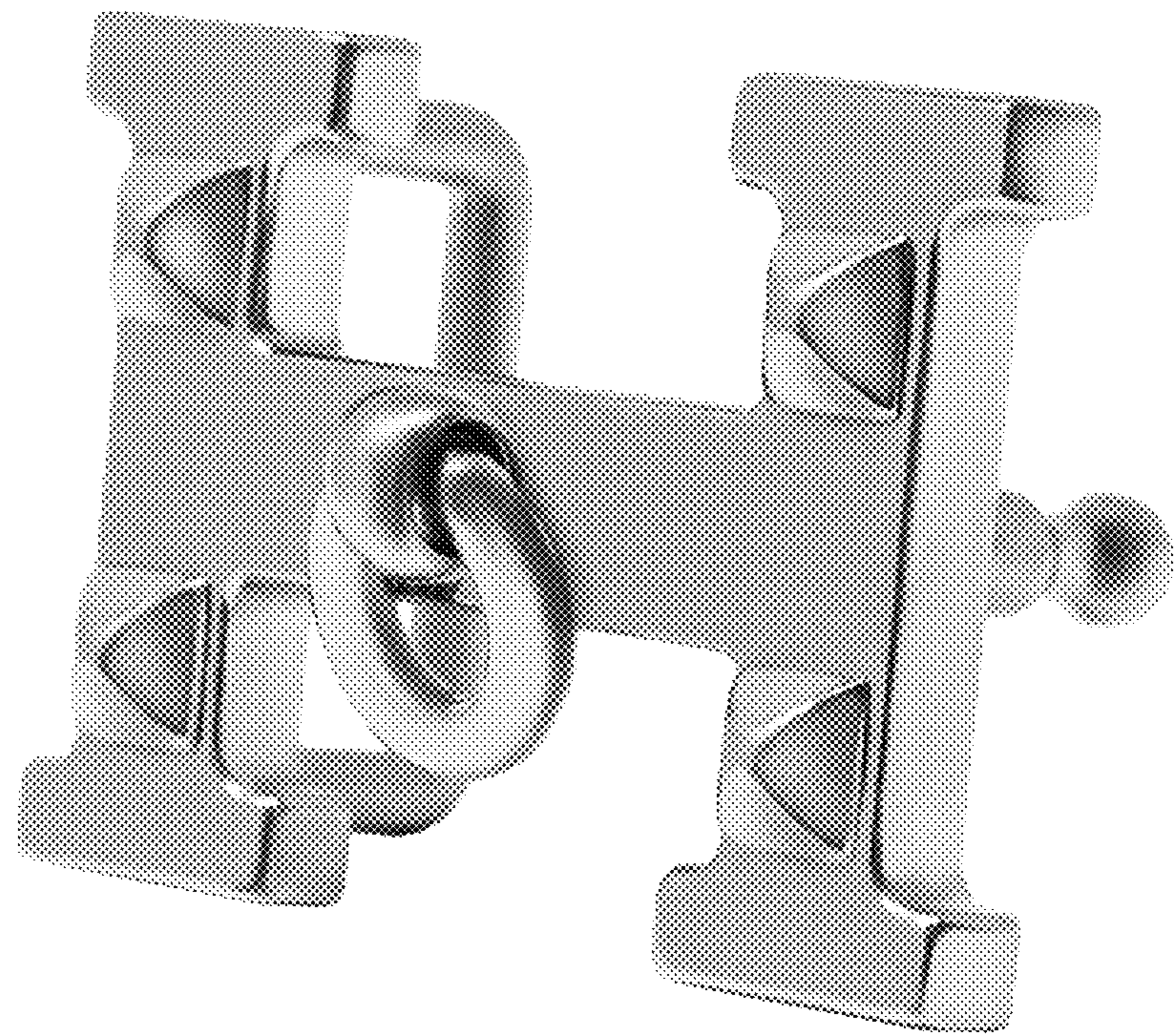
- 1. Belt buckle
- 1.1 : Perspective
- 1.2 : Front
- 1.3 : Back
- 1.4 : Right
- 1.5 : Left
- 1.6 : Top
- 1.7 : Bottom

See application file for complete search history.

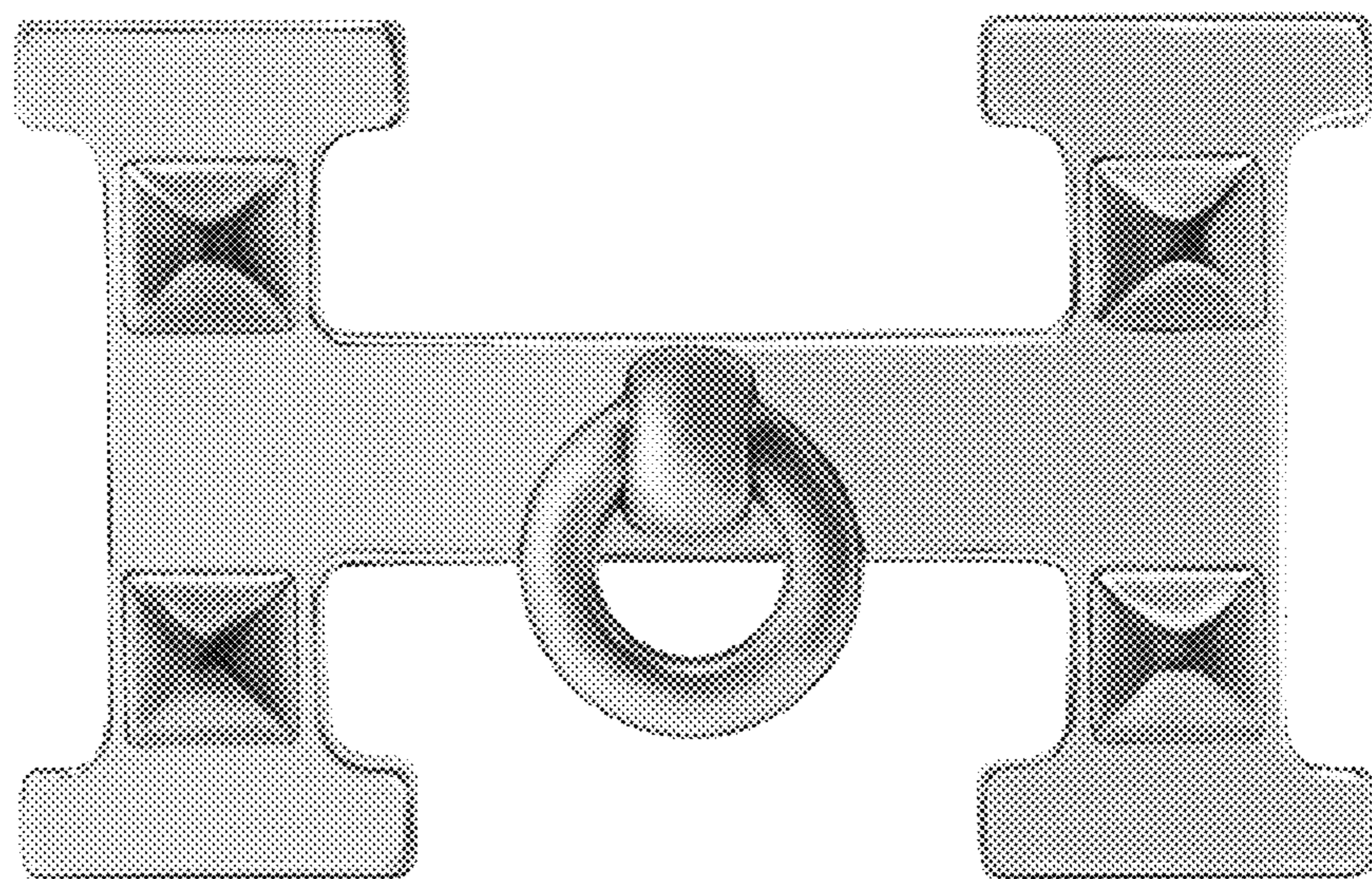
1 Claim, 7 Drawing Sheets



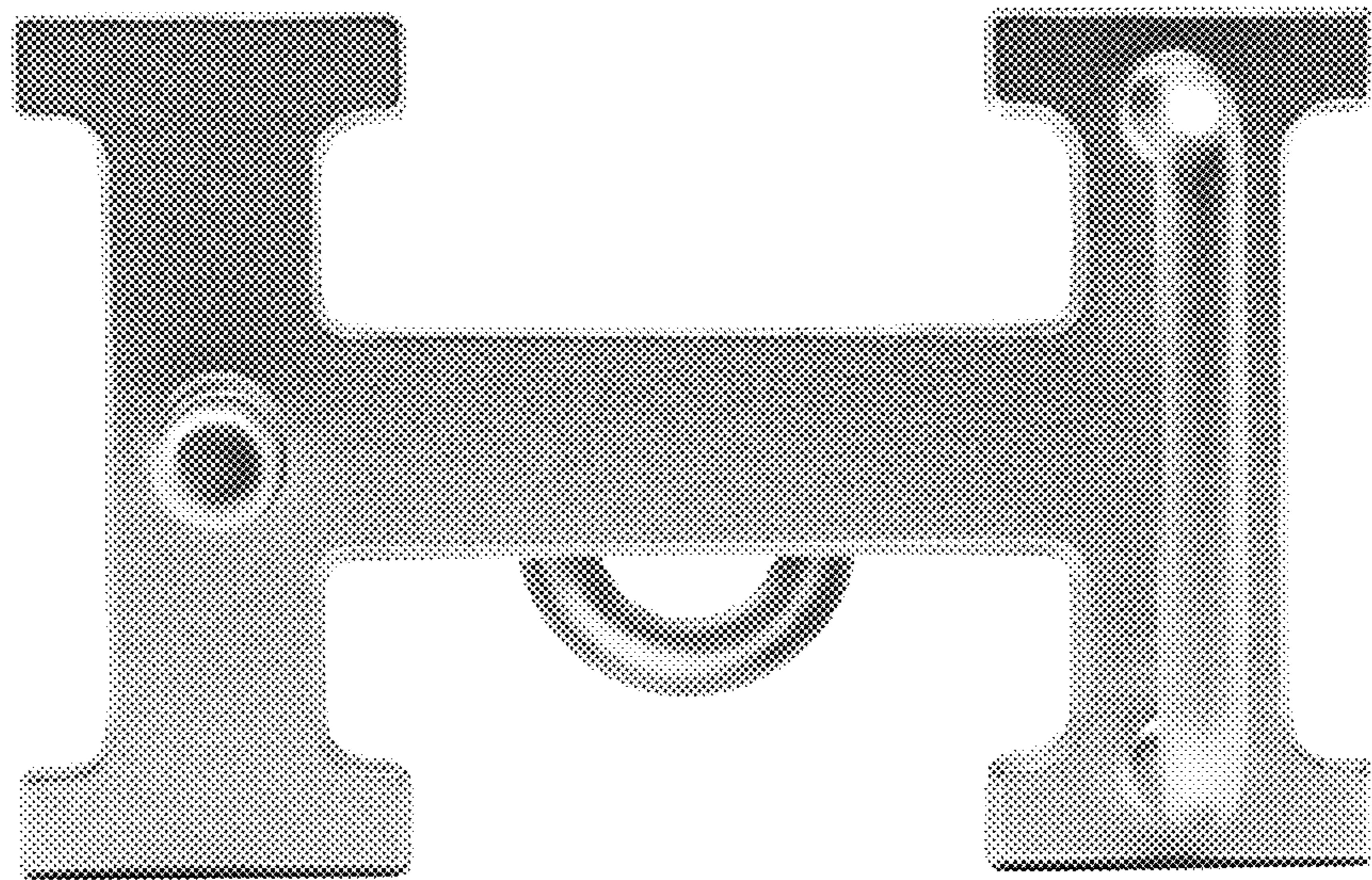
1.1



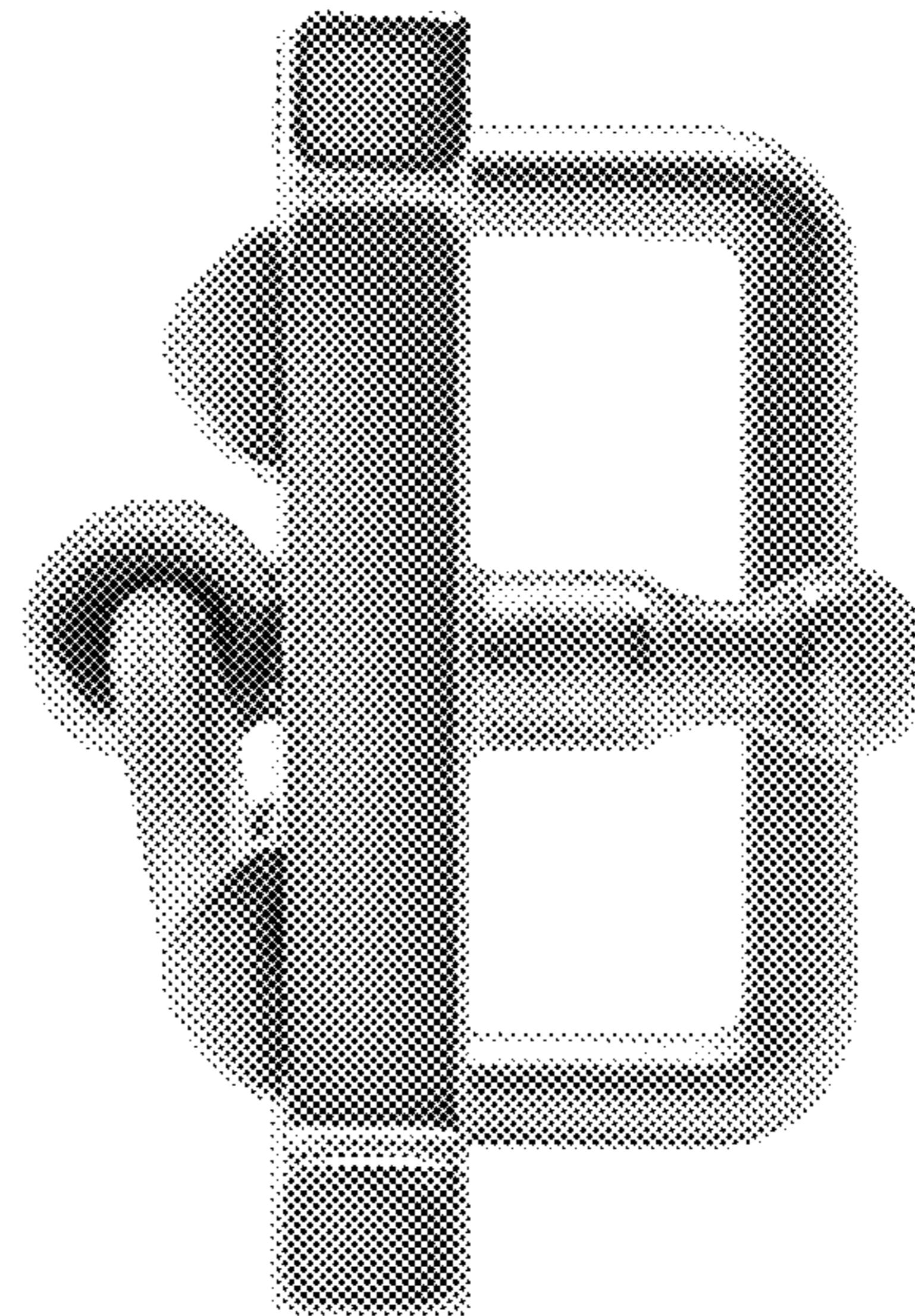
1.2



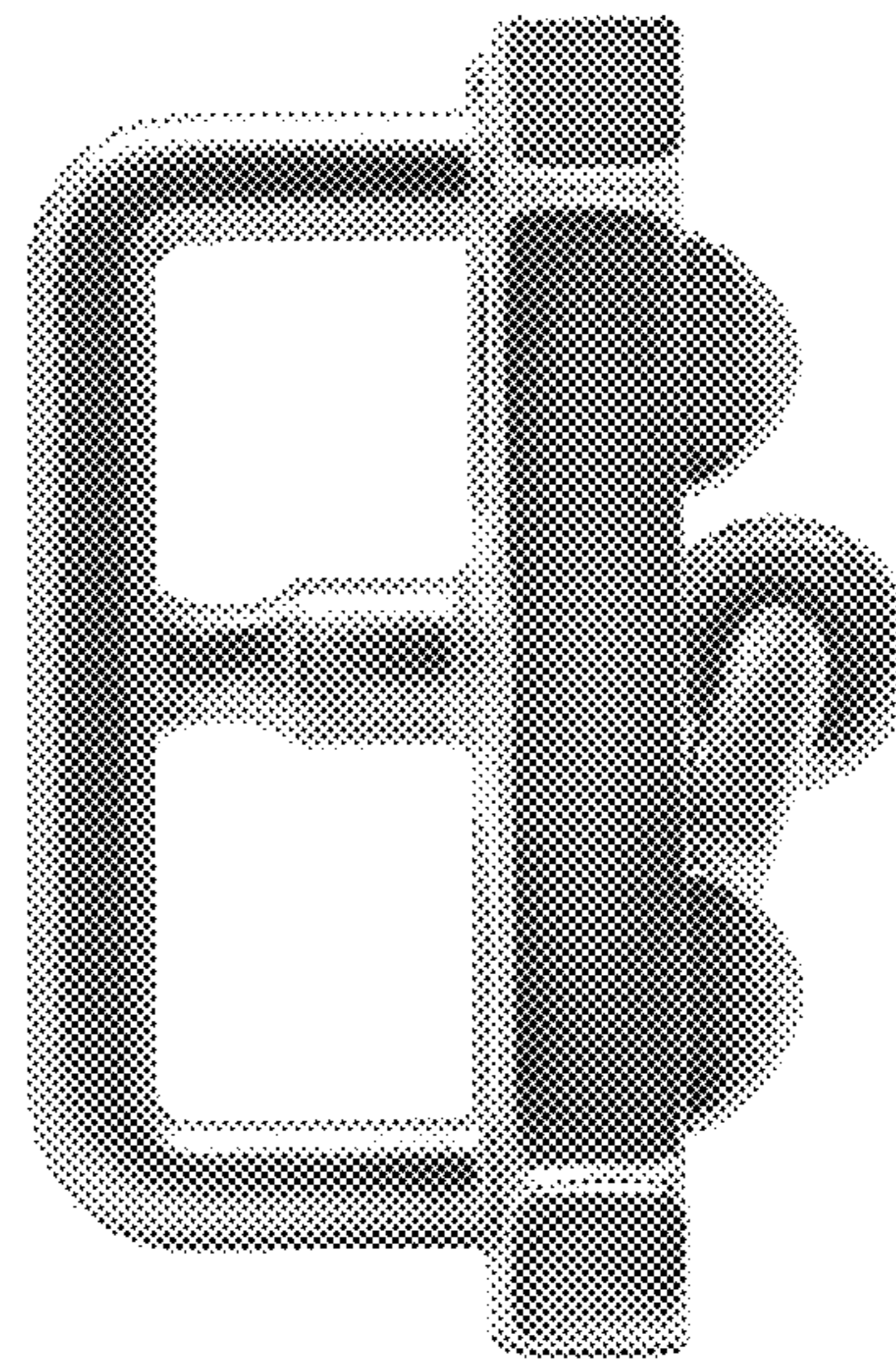
1.3



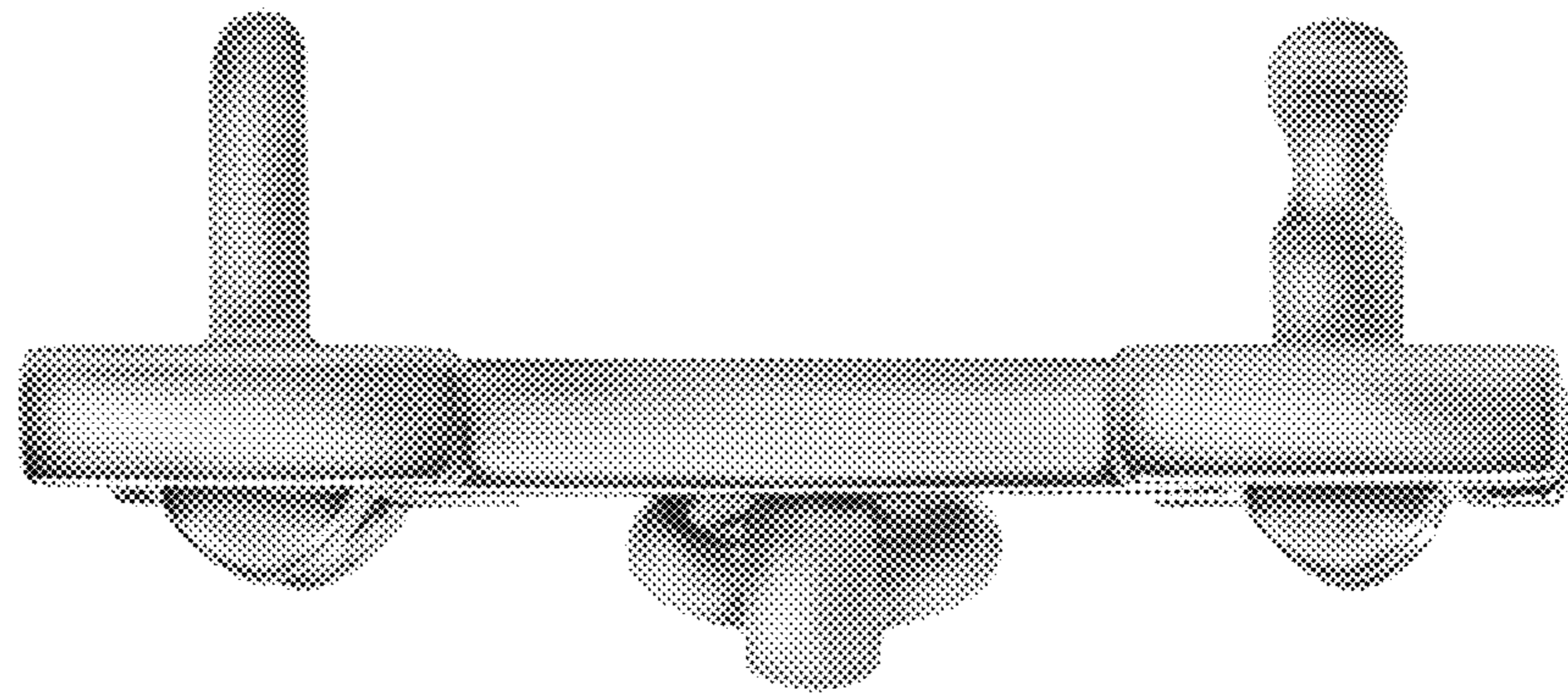
1.4



1.5



1.6



1.7

