



US00D915934S

(12) **United States Design Patent**
Paik et al.

(10) **Patent No.:** **US D915,934 S**

(45) **Date of Patent:** **** Apr. 13, 2021**

(54) **BUCKLE FOR BAG**

- (71) Applicant: **WOJIN PLASTIC Co., Ltd.**,
Namyangju-si (KR)
- (72) Inventors: **Ji Sook Paik**, Seoul (KR); **Ji Hye Paik**, Seoul (KR); **Ji Won Son**, Seoul (KR); **Nan Hee Paik**, Seoul (KR)
- (73) Assignee: **WOJIN PLASTIC CO., LTD.**,
Namyangju-si (KR)

(**) Term: **15 Years**

(21) Appl. No.: **29/714,624**

(22) Filed: **Nov. 25, 2019**

(30) **Foreign Application Priority Data**

Jun. 4, 2019 (KR) 30-2019-0026412

(51) **LOC (13) Cl.** **02-07**

(52) **U.S. Cl.**
USPC **D11/216**

(58) **Field of Classification Search**
 USPC D11/200, 201, 206, 212, 215, 216, 218,
 D11/220; D29/100–101.5; D3/216;
 D2/627–640; D6/333
 CPC ... A44B 11/001; A44B 11/005; A44B 11/008;
 A44B 11/02; A44B 11/00; A44B 11/065;
 A44B 11/08; A44B 11/10; A44B 11/12;
 A44B 11/125; A44B 11/14; A44B 11/226;
 A44B 11/25; A44B 11/2503; A44B
 11/2507; A44B 11/2511; A44B 11/2515;
 A44B 11/2519; A44B 11/2523; A44B
 11/253; A44B 11/2538; A44B 11/2549;
 (Continued)

(56) **References Cited**

U.S. PATENT DOCUMENTS

- D296,310 S * 6/1988 Crowle D11/216
 - D329,210 S * 9/1992 Cullmann D11/216
- (Continued)

OTHER PUBLICATIONS

Magic Twist Buckle, no date available, [online], [site visited Dec. 22, 2020]. Retrieved from url:http://www.wojinplastic.com/kr/product/view.php?id=704&part1_idx=20&part_idx=115 (Year: 2020).*

Primary Examiner — Michelle E. Wilson

Assistant Examiner — Tracey J Bell

(74) *Attorney, Agent, or Firm* — Paratus Law Group, PLLC

(57) **CLAIM**

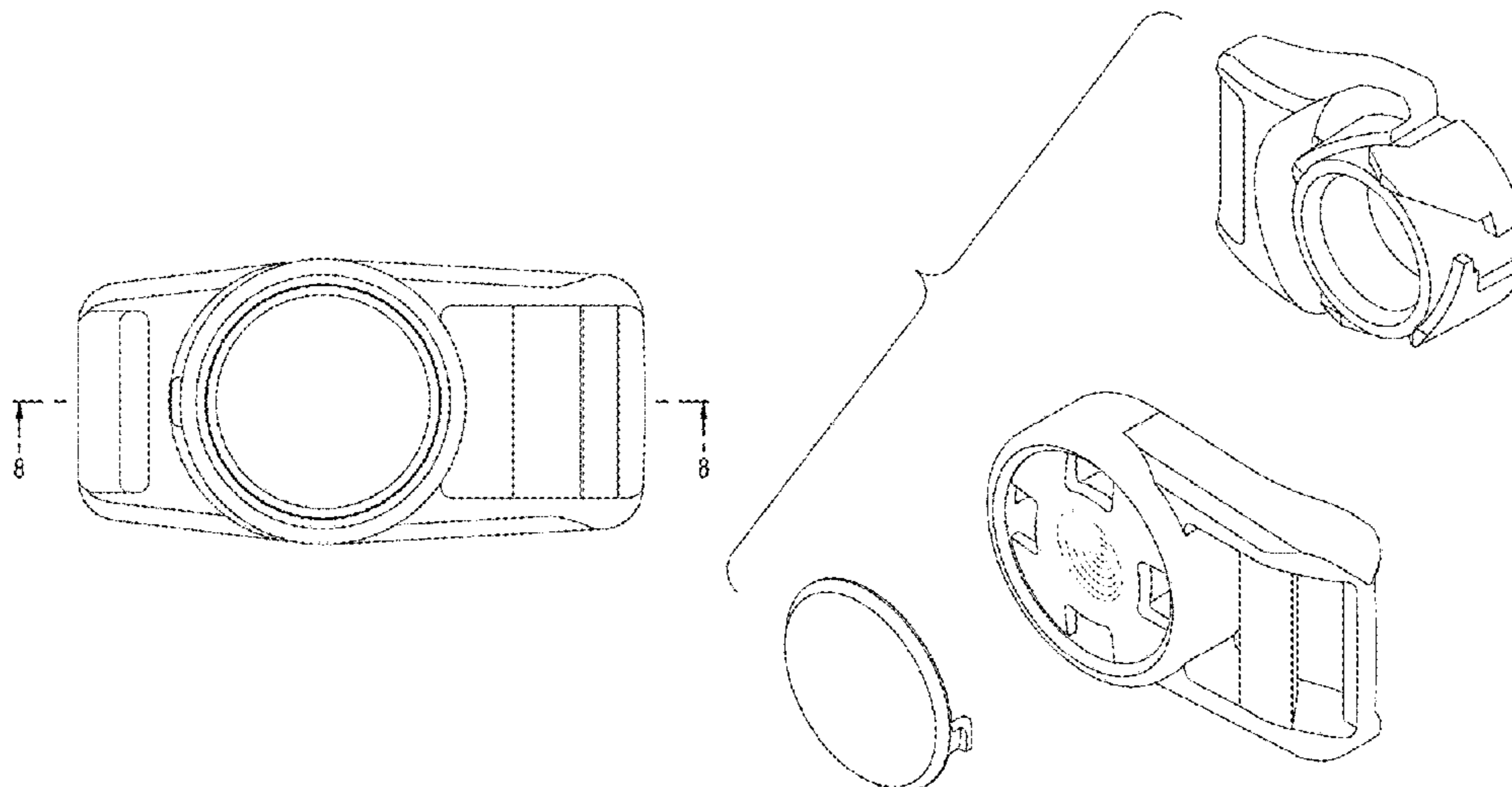
The ornamental design for a buckle for bag, as shown and described.

DESCRIPTION

FIG. 1 is a front, top, and right perspective view of a buckle for bag, showing the claimed design;
 FIG. 2 is a front view thereof;
 FIG. 3 is a back view thereof;
 FIG. 4 is a left side view thereof;
 FIG. 5 is a right side view thereof;
 FIG. 6 is a top view thereof;
 FIG. 7 is a bottom view thereof;
 FIG. 8 is a cross-sectional view taken along line 8-8 shown in FIG. 2;
 FIG. 9 is a back, top, and right perspective view thereof;
 FIG. 10 is an exploded front, top, and right perspective view thereof;
 FIG. 11 is an exploded back, top, and right perspective view thereof; and,
 FIG. 12 is a reference view showing the claimed design in use.

The long dash short dash broken lines and arrows shown in FIG. 2 are used to identify the cross-sectional view and the short evenly spaced broken lines shown in FIG. 12 depict environment. The broken lines form no part of the claimed design.

1 Claim, 7 Drawing Sheets



(58) **Field of Classification Search**

CPC A44B 11/2553; A44B 11/2557; A44B
11/2561; A44B 11/2569; A44B 11/2576;
A44B 11/258; A44B 11/2588; A44B
11/26

See application file for complete search history.

(56) **References Cited**

U.S. PATENT DOCUMENTS

D335,476	S	*	5/1993	Stathis	D11/200
D349,871	S	*	8/1994	Murai	D11/200
5,410,780	A	*	5/1995	Silagy	A44B 11/02 24/163 K
D618,590	S	*	6/2010	Paik	D11/216
D638,332	S	*	5/2011	Fair	D11/216
D671,443	S	*	11/2012	Paik	D11/216
D805,953	S	*	12/2017	Salomonsson	D11/216
D845,168	S	*	4/2019	Paik	D11/216
D888,610	S	*	6/2020	Paik	D11/216
2008/0028579	A1	*	2/2008	Chen	A44B 11/2549 24/625
2015/0054272	A1	*	2/2015	Longenecker	A44B 11/2549 280/808

* cited by examiner

FIG. 1

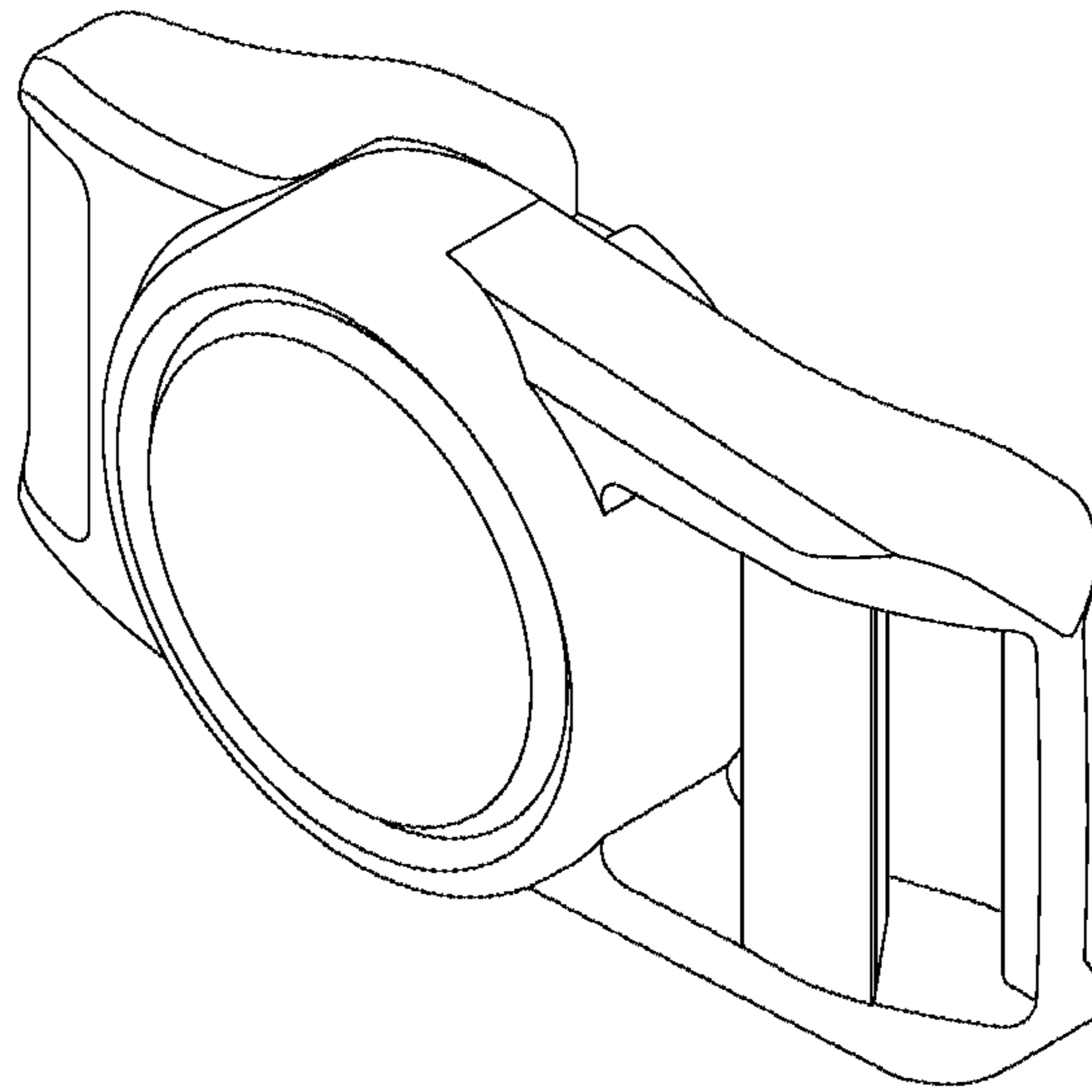


FIG. 2

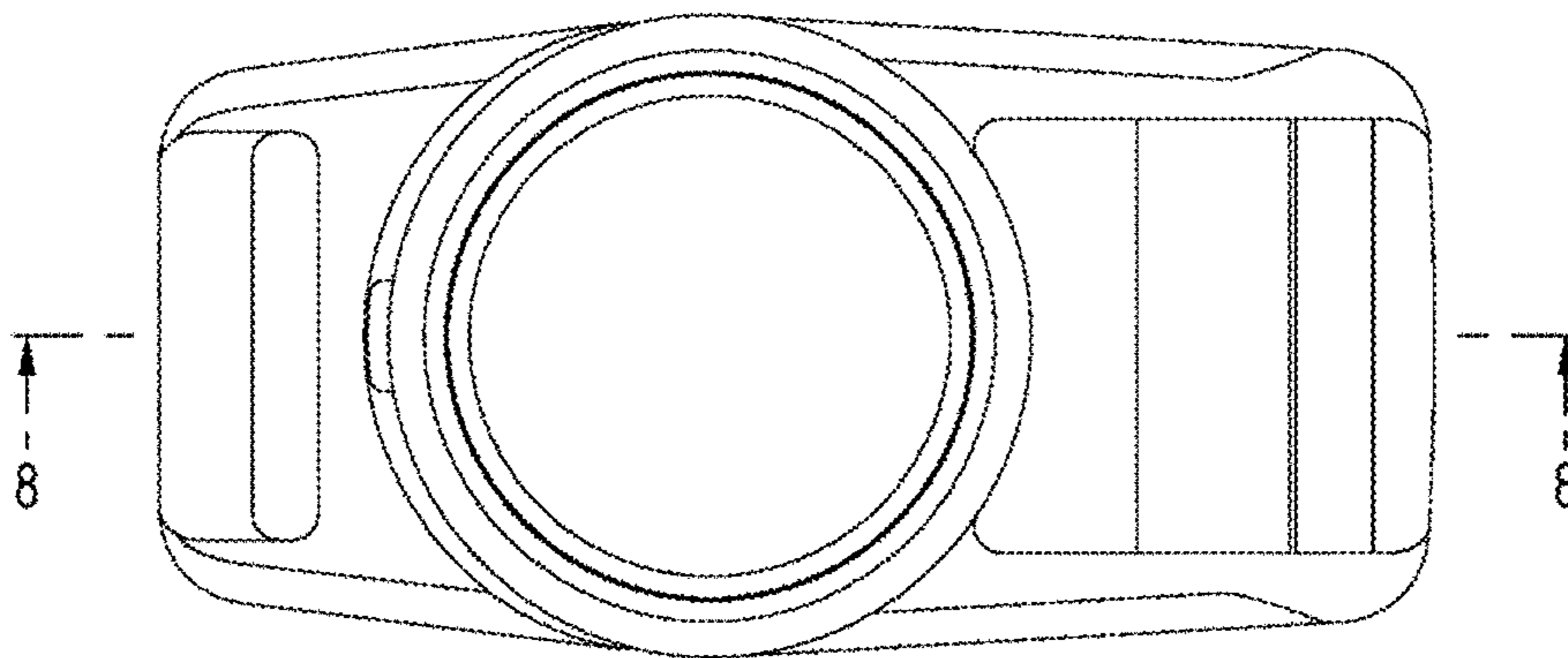


FIG. 3

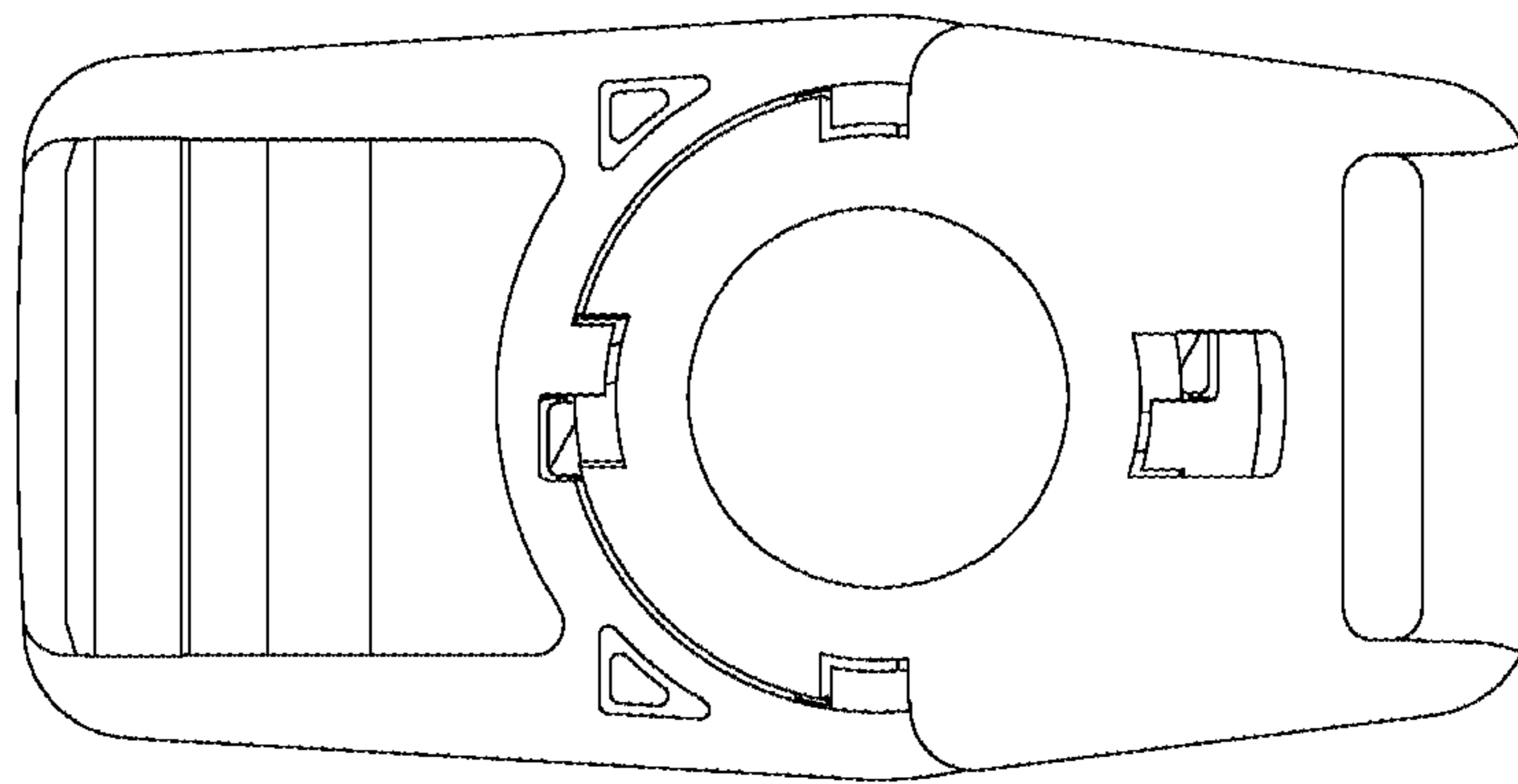


FIG. 4

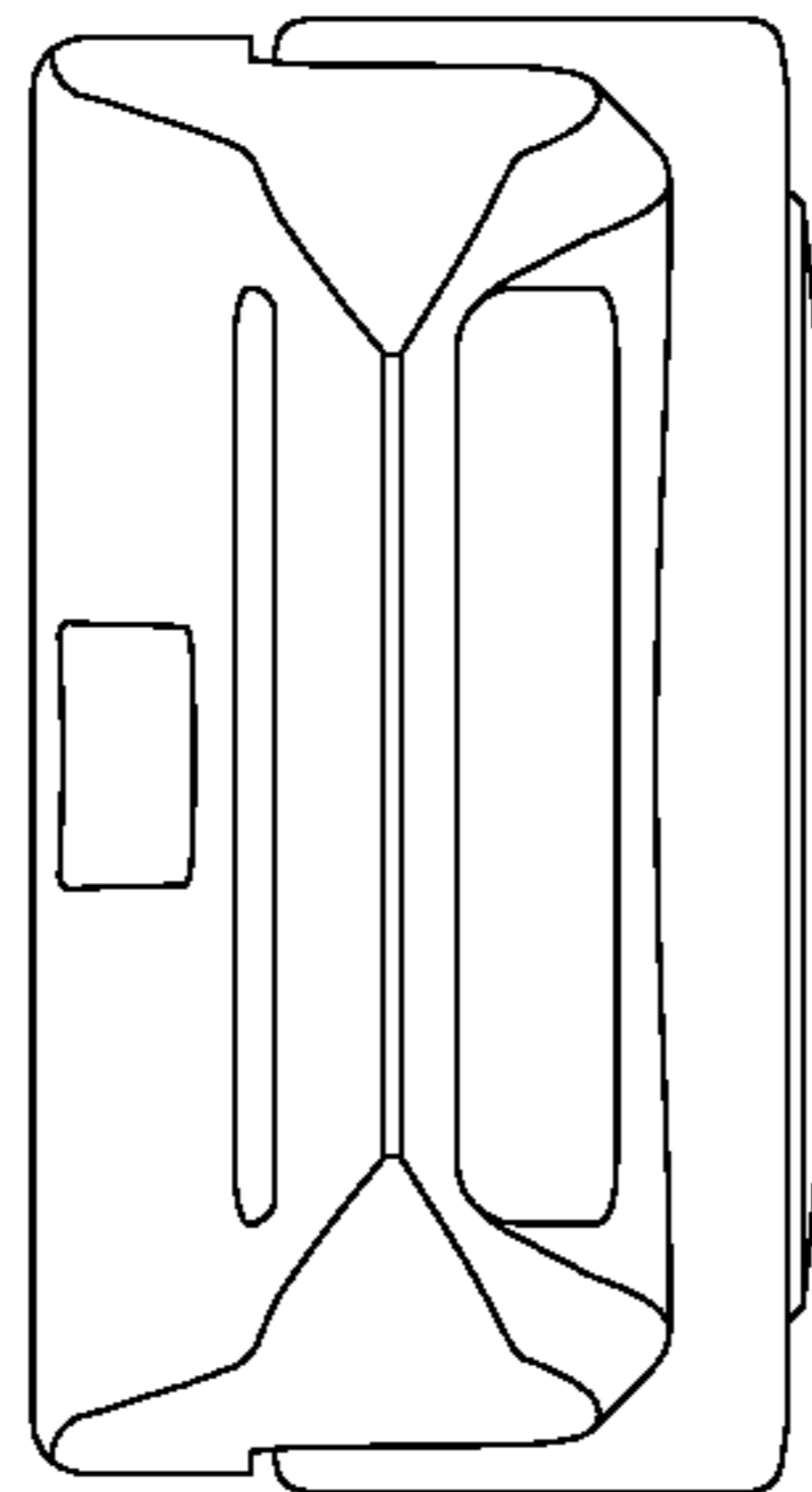


FIG. 5

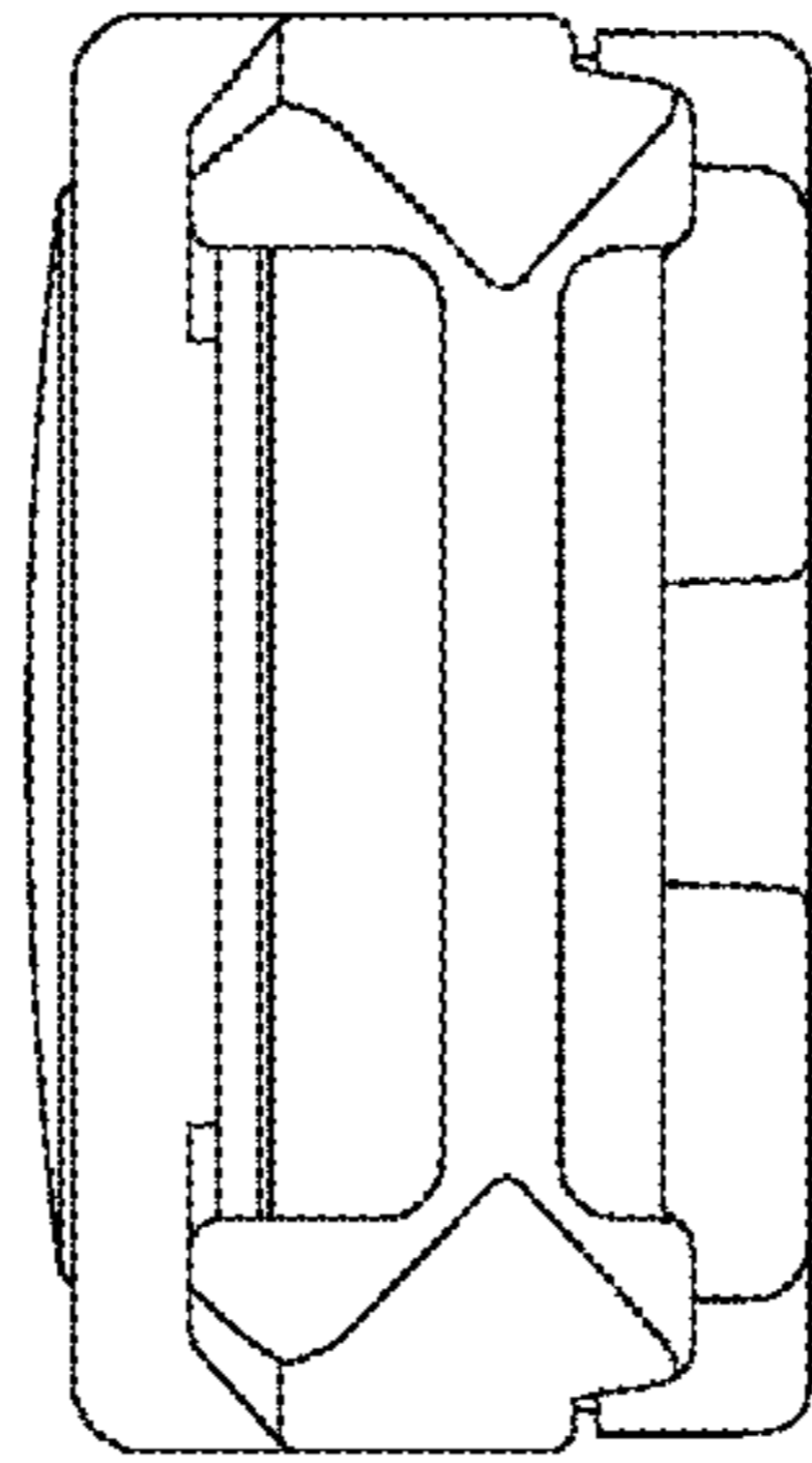


FIG. 6

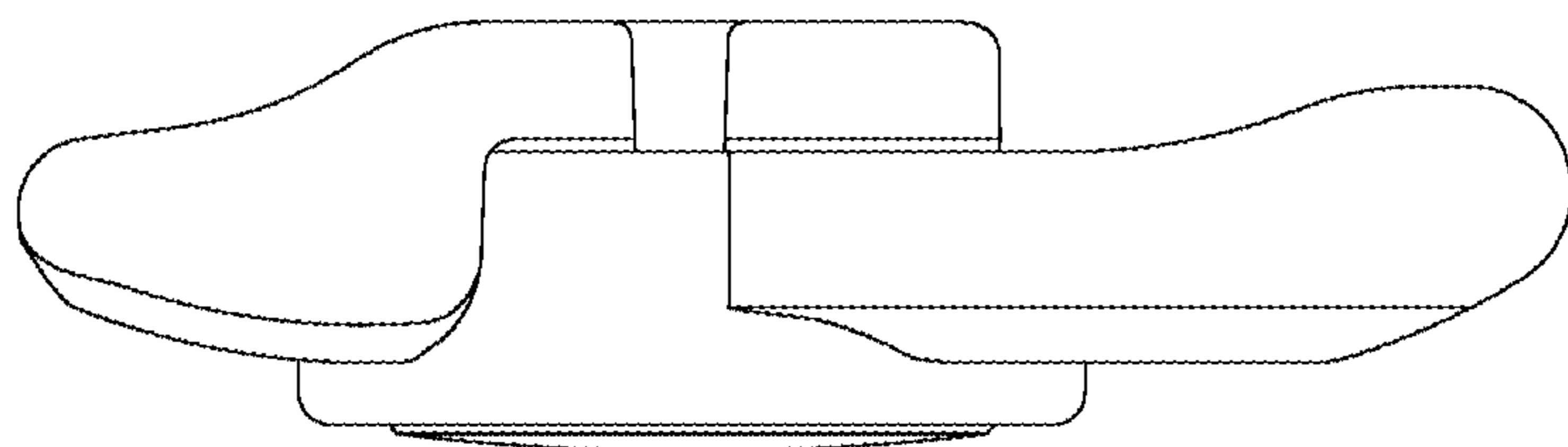


FIG. 7

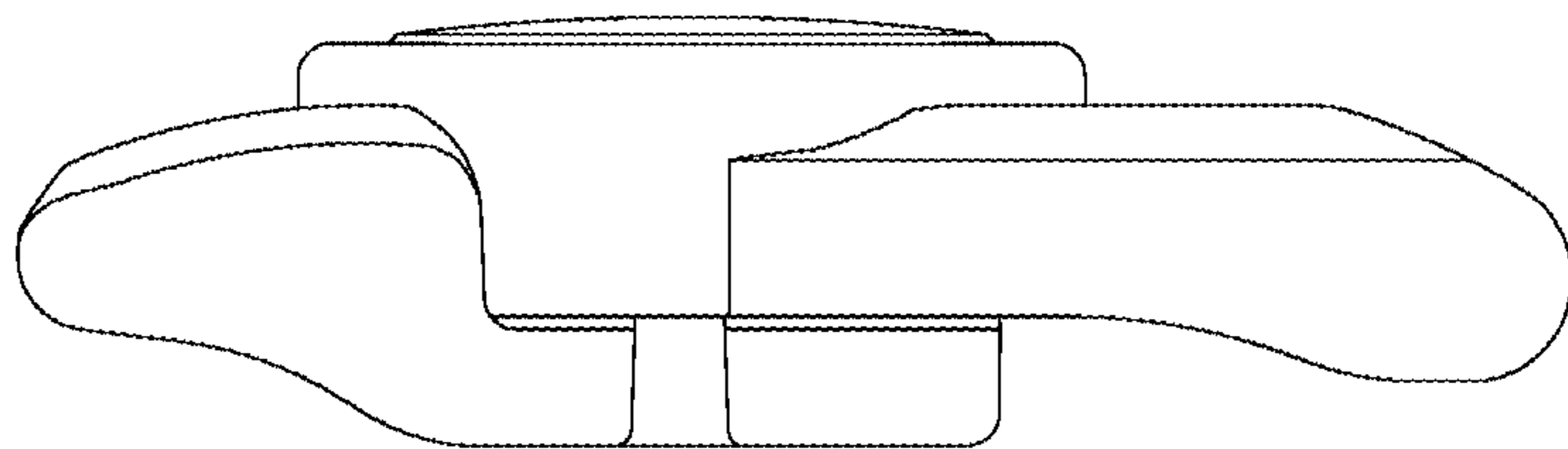


FIG. 8

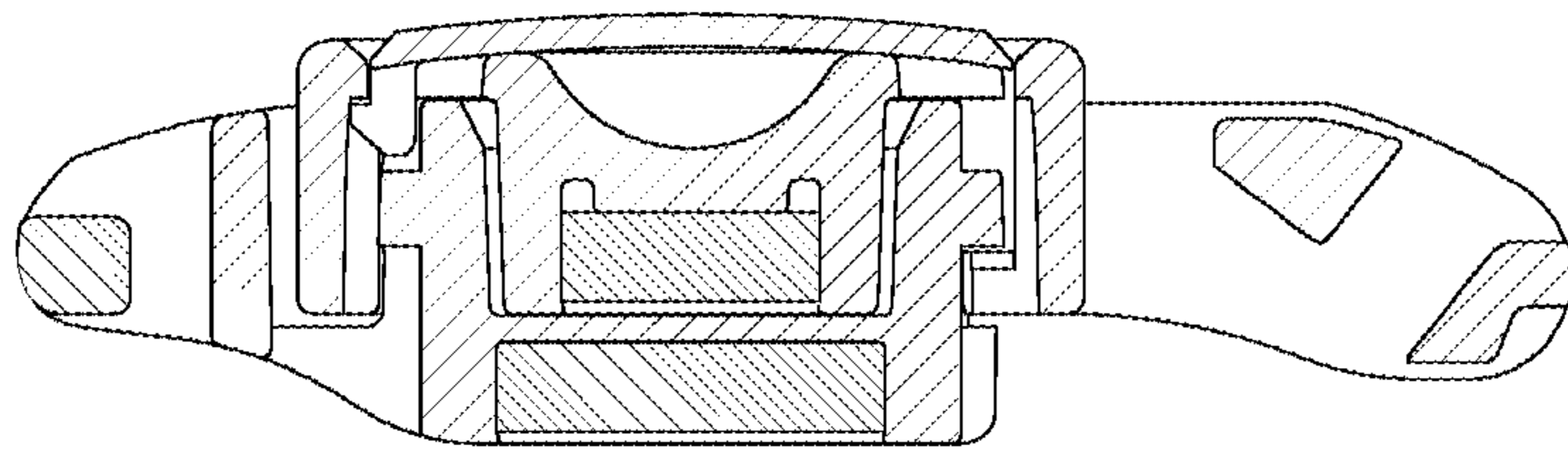


FIG. 9

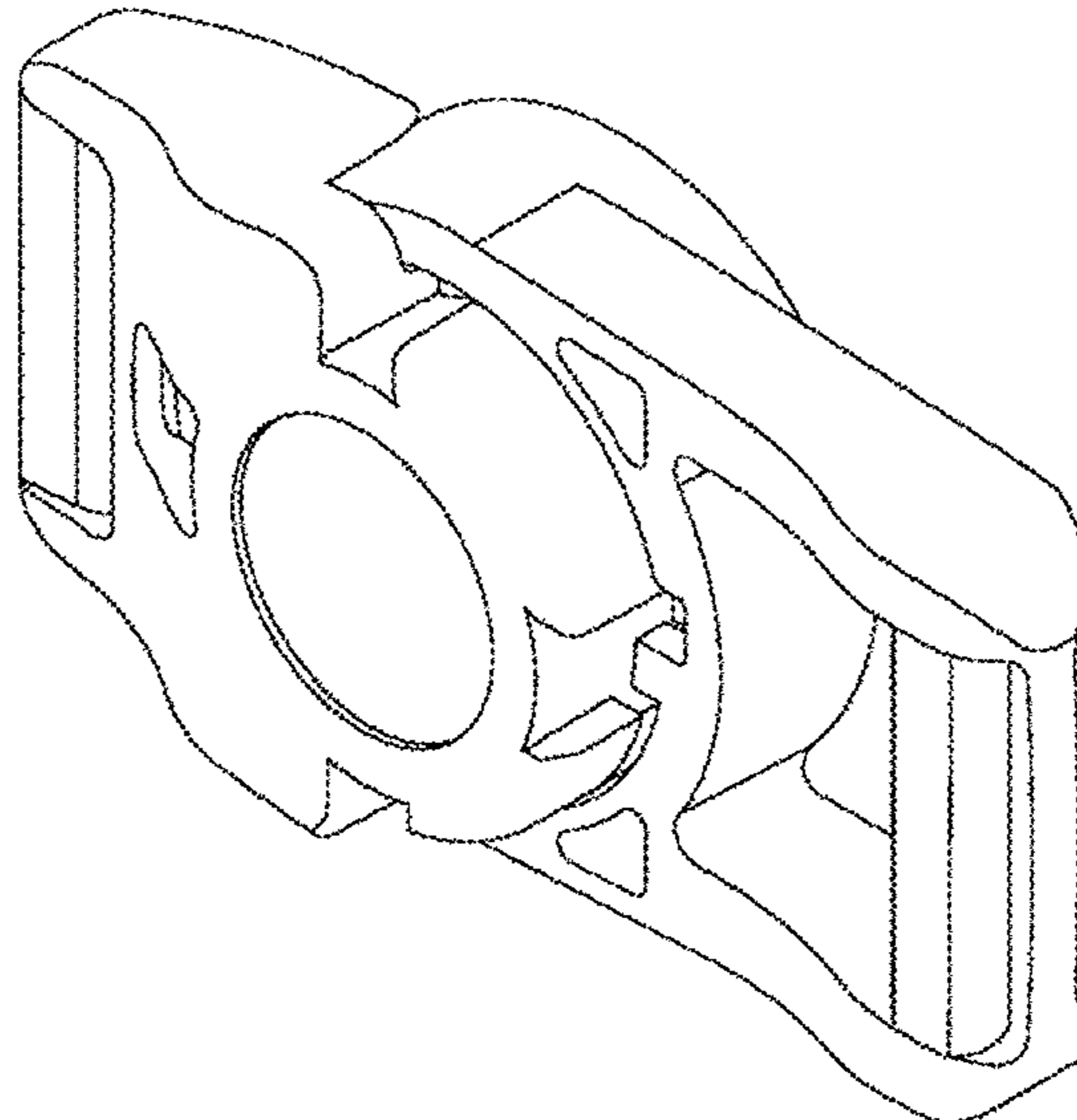


FIG. 10

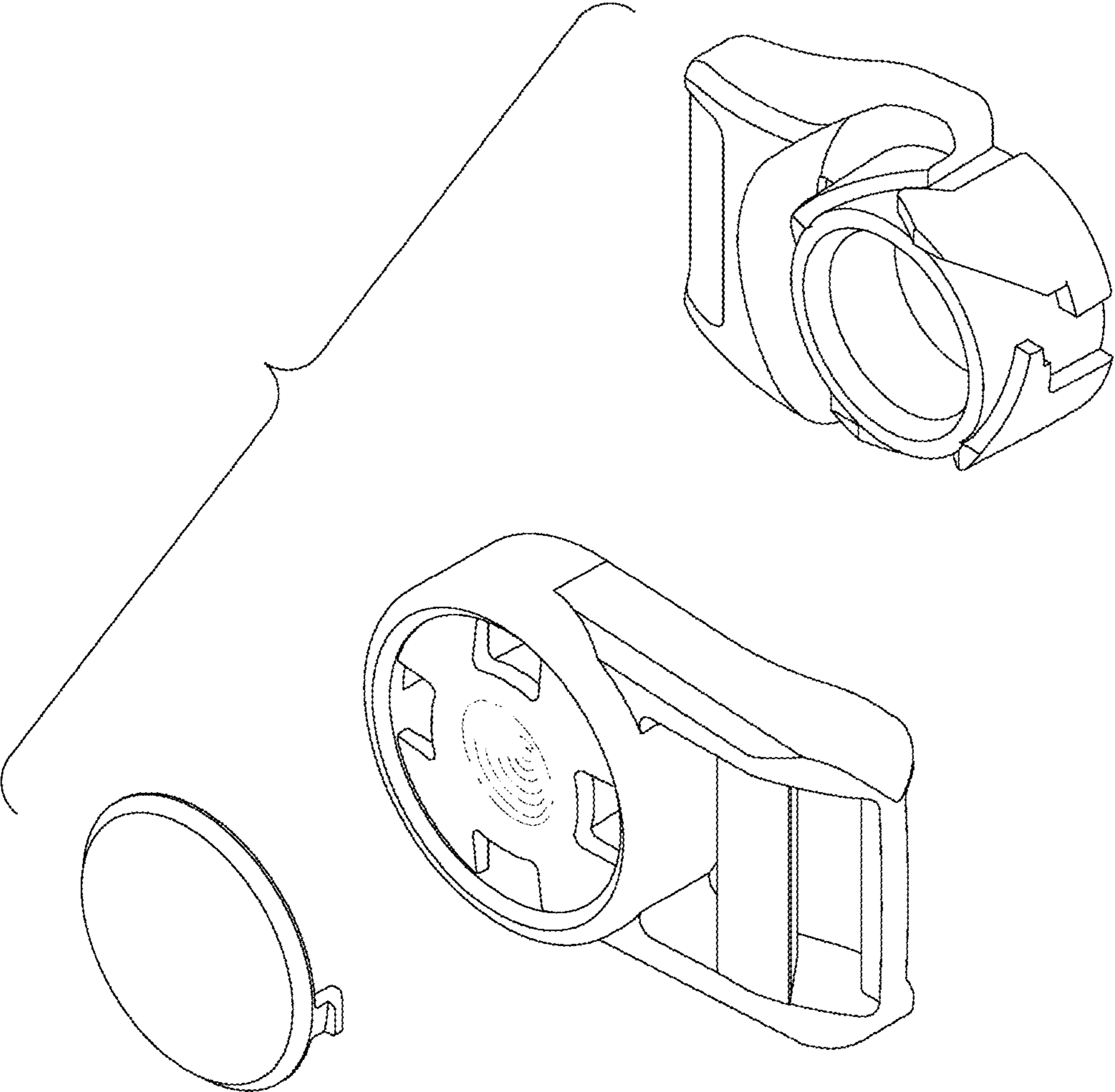


FIG. 11

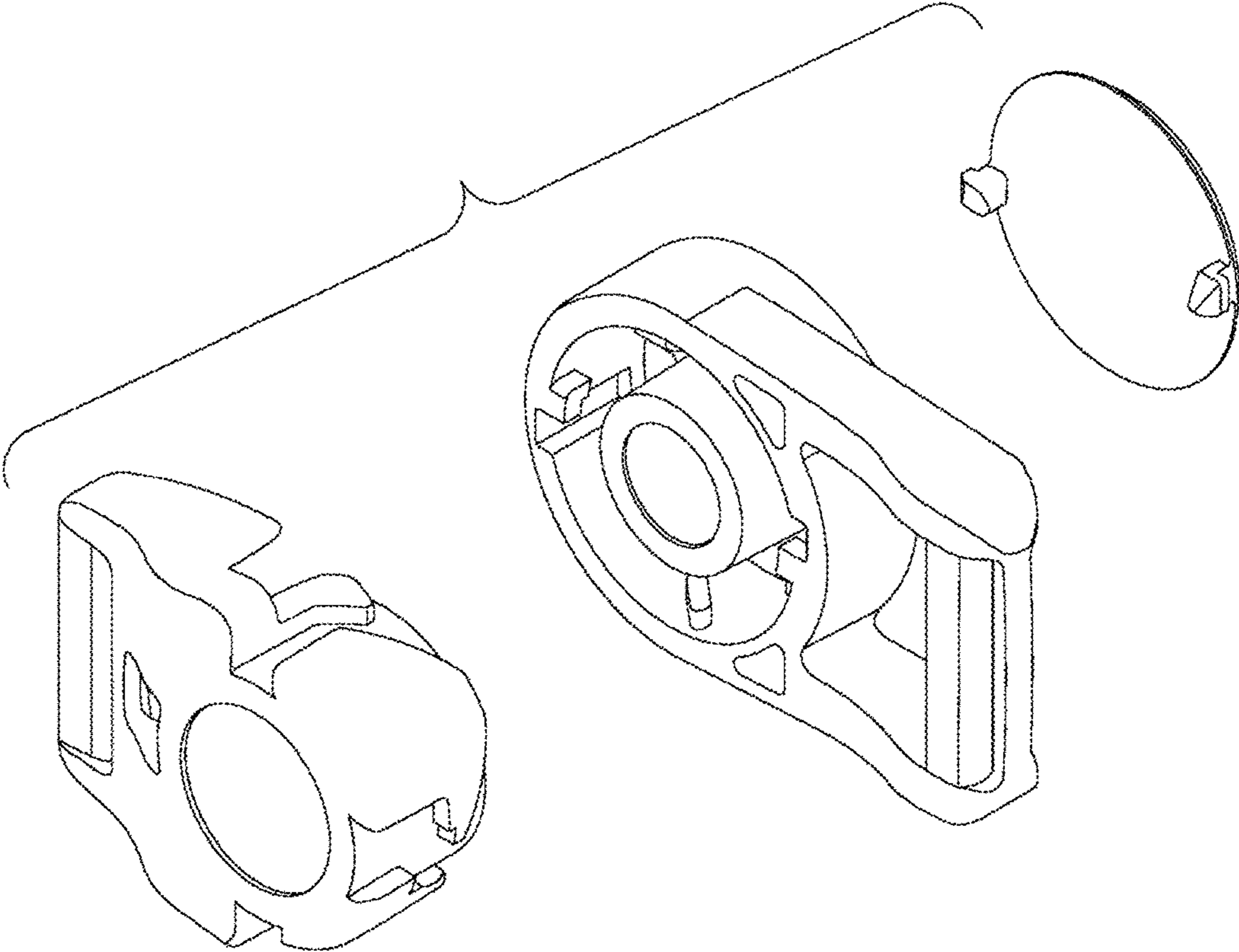


FIG. 12

