



US00D915933S

(12) **United States Design Patent**
Friedman et al.

(10) **Patent No.:** **US D915,933 S**
(45) **Date of Patent:** **** Apr. 13, 2021**

- (54) **WALLET CLIP**
- (71) Applicants: **Kimberly B. Friedman**, Scotsdale, AZ (US); **Kristin M. Titov**, Newport Beach, CA (US)
- (72) Inventors: **Kimberly B. Friedman**, Scotsdale, AZ (US); **Kristin M. Titov**, Newport Beach, CA (US)

2,043,358 A * 6/1936 Swanstrom A01L 1/04
168/13
D132,116 S * 4/1942 Steinhardt D3/211
2,358,262 A * 9/1944 Suess B42F 1/02
206/0.81
D156,932 S * 1/1950 Beghetti D7/634
D174,952 S * 6/1955 Gold D6/316

(Continued)

(**) Term: **15 Years**
(21) Appl. No.: **29/639,949**

(22) Filed: **Mar. 9, 2018**

(51) **LOC (13) Cl.** **11-01**

(52) **U.S. Cl.**
USPC **D11/78.1**

(58) **Field of Classification Search**
USPC D3/215, 239, 247-251, 263, 265, 266;
D8/383, 394, 395; D11/1, 2, 3, 12, 16,
D11/26, 27, 30, 40-44, 56, 78.1, 79, 81,
D11/86-88, 93, 99, 103, 105, 200, 201,
D11/206-210, 212-218, 229-237
CPC . A45F 5/00; A45F 5/004; A45F 5/006; A62B
35/00; A44B 11/06; A44B 11/22; G02C
11/00; G02C 11/02; G02C 3/006; A01L
1/00; A01L 1/02; A01L 1/04
See application file for complete search history.

(56) **References Cited**

U.S. PATENT DOCUMENTS

525,677 A * 9/1894 Collins B42F 17/02
211/50
599,958 A * 3/1898 Dietrich A01L 1/04
168/11
D28,534 S * 5/1898 Thomson D8/395
755,779 A * 3/1904 Irwin A01L 1/04
168/13
1,266,365 A * 5/1918 Whittaker A44B 15/00
70/457
1,658,865 A * 2/1928 Stickell A01L 1/04
168/29

OTHER PUBLICATIONS

Victorian 14kt Gold Horseshoe Money Clip (available online)
Retrieved from the internet May 27, 2020 from URL: https://www.abrandtandson.com/products/1-victorian-14kt-gold-horseshoe-money-clip.*

(Continued)

Primary Examiner — Kevin K Rudzinski
Assistant Examiner — Richard Kearney
(74) *Attorney, Agent, or Firm* — Charmasson, Buchaca & Leach, LLP

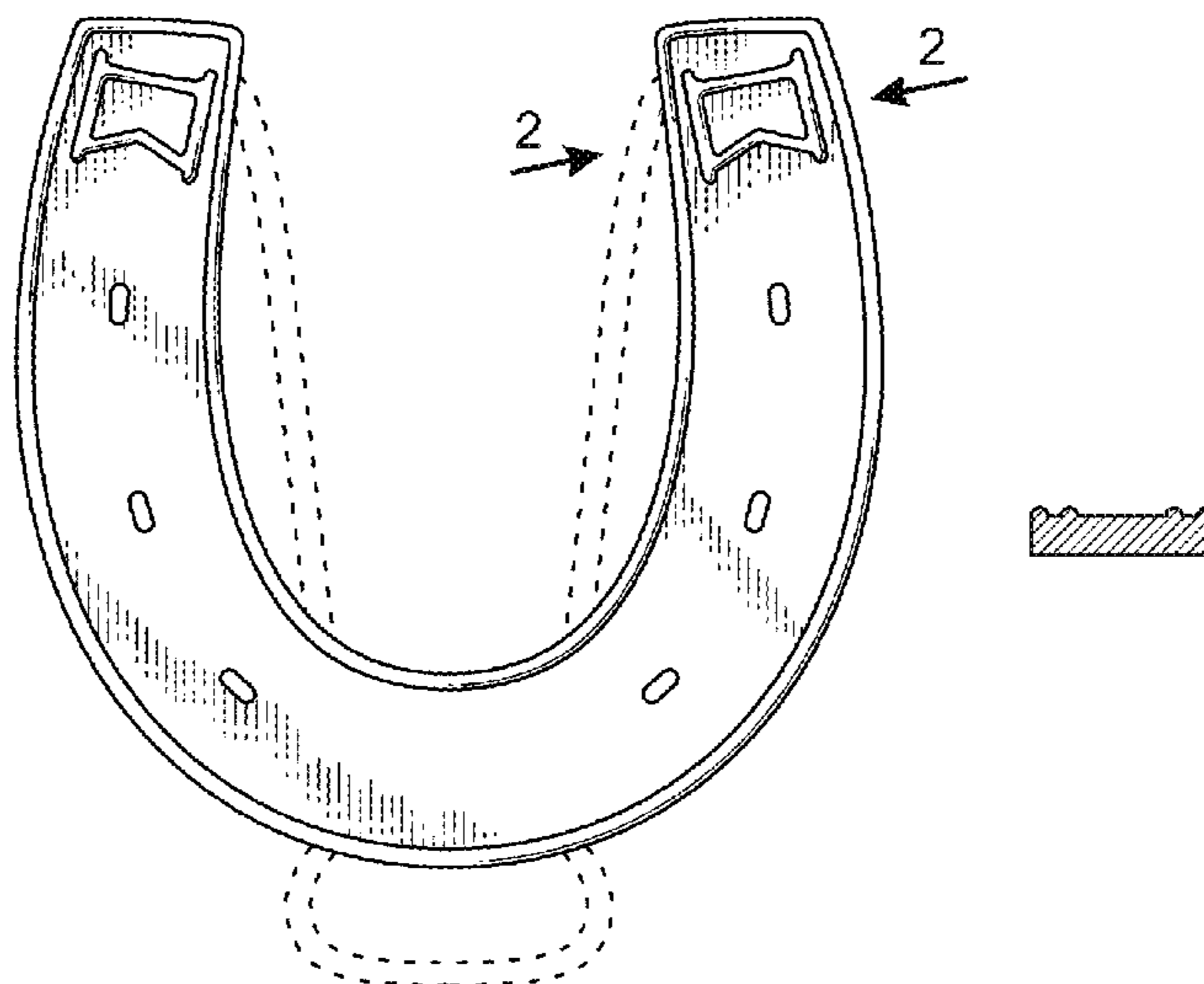
(57) **CLAIM**

The ornamental design for a wallet clip, as shown and described.

DESCRIPTION

FIG. 1 is a front elevation view of a wallet clip showing our new design;
FIG. 2 is a cross sectional view taken along line 2-2 of FIG. 1;
FIG. 3 is a top plan view of the wallet clip of FIG. 1;
FIG. 4 is a bottom plan view thereof;
FIG. 5 is a back elevation view thereof; and,
FIG. 6 is a right side elevation view thereof, the left side elevation view being a mirror image thereof.
Broken lines are used to indicate environment and form no part of the claimed design.
Shading lines are used to show solid structures and are not intended to indicate surface decoration.

1 Claim, 1 Drawing Sheet



(56)

References Cited

U.S. PATENT DOCUMENTS

D178,971 S * 10/1956 Pasquarella D8/401
 D187,580 S * 4/1960 Holden D8/401
 3,311,174 A * 3/1967 Castillo A01L 5/00
 168/24
 3,460,627 A * 8/1969 Teixeira A01L 7/04
 168/29
 D217,468 S * 5/1970 Haurilak D6/303
 3,603,402 A * 9/1971 McDonnell A01L 3/00
 168/4
 D224,866 S * 10/1972 Hammer D6/316
 D232,178 S * 7/1974 McDaniel D21/387
 D240,012 S * 5/1976 Lingley D8/401
 4,091,871 A * 5/1978 Chiaramonte A01L 1/02
 168/4
 4,116,278 A * 9/1978 Spencer A01L 1/04
 168/19
 D265,710 S * 8/1982 Stein D7/634
 D268,534 S * 4/1983 Charlson D30/147
 D268,535 S * 4/1983 Charlson D30/147
 D270,959 S * 10/1983 Rigney D30/147
 D310,899 S * 9/1990 Kulak 168/4
 D311,793 S * 10/1990 Kulak 168/4
 5,205,362 A * 4/1993 Noffsinger A01L 7/02
 168/13
 5,368,104 A * 11/1994 Duckett A01L 1/02
 168/4
 D359,012 S * 6/1995 Gross D11/132
 5,421,415 A * 6/1995 Wells A01L 1/04
 168/24
 D378,799 S * 4/1997 Erickson D8/401
 D378,800 S * 4/1997 Erickson D8/401
 D386,123 S * 11/1997 Fletcher D3/211
 D402,699 S * 12/1998 Calhoon D19/90
 5,860,191 A * 1/1999 Sieger A45F 5/02
 24/13
 D416,193 S * 11/1999 Erickson D8/401
 6,082,462 A * 7/2000 Lyden A01L 3/04
 168/24
 6,158,518 A * 12/2000 Ridenour A01L 7/00
 168/24
 6,454,016 B1 * 9/2002 Julien A01L 1/02
 168/4

D477,096 S * 7/2003 West D26/16
 D480,517 S * 10/2003 Hasegawa D30/147
 D486,276 S * 2/2004 Hasegawa D30/147
 D500,950 S * 1/2005 Kelleghan D8/356
 D507,383 S * 7/2005 Kinney 168/4
 D509,328 S * 9/2005 Kinney 168/4
 D570,057 S * 5/2008 Lundqvist D30/148
 D590,443 S * 4/2009 Goldman D19/65
 D618,013 S * 6/2010 Corral D30/143
 D625,183 S * 10/2010 Bartsch D9/434
 7,806,194 B2 * 10/2010 Vaillant A01L 5/00
 168/24
 D632,029 S * 2/2011 Medellin D30/140
 D632,848 S * 2/2011 Kerckhaert D30/148
 D632,849 S * 2/2011 Kerckhaert D30/148
 D637,105 S * 5/2011 Bachelder D11/86
 8,408,320 B2 * 4/2013 Burns A01L 5/00
 168/4
 D705,117 S * 5/2014 Doughty D11/157
 D710,552 S * 8/2014 Hodges D30/148
 D758,074 S * 6/2016 Murphy, Jr. D3/266
 D776,369 S * 1/2017 Whitman D30/148
 10,306,877 B2 * 6/2019 Sledd A01L 1/04
 D885,488 S * 5/2020 Engler D21/387
 10,785,971 B2 * 9/2020 Moerman A01L 1/04
 2002/0023760 A1 * 2/2002 Bergeleen A01L 1/00
 168/4
 2006/0055866 A1 * 3/2006 Dietz G02C 3/04
 351/41
 2009/0083945 A1 * 4/2009 Huang B42F 1/06
 24/67.11
 2009/0288844 A1 * 11/2009 Coulombe A01L 7/02
 168/4
 2011/0139467 A1 * 6/2011 Moller A01L 5/00
 168/12
 2012/0222871 A1 * 9/2012 Mahidhara A01L 1/02
 168/6

OTHER PUBLICATIONS

Vintage Krementz USA Gold Filled Lucky Horseshoe Money Clip (available online) Retrieved from the internet May 27, 2020 from URL:<https://www.apmetals.com/product-page/vintage-krementz-usa-gold-filled-lucky-horseshoe-money-clip>.*

* cited by examiner

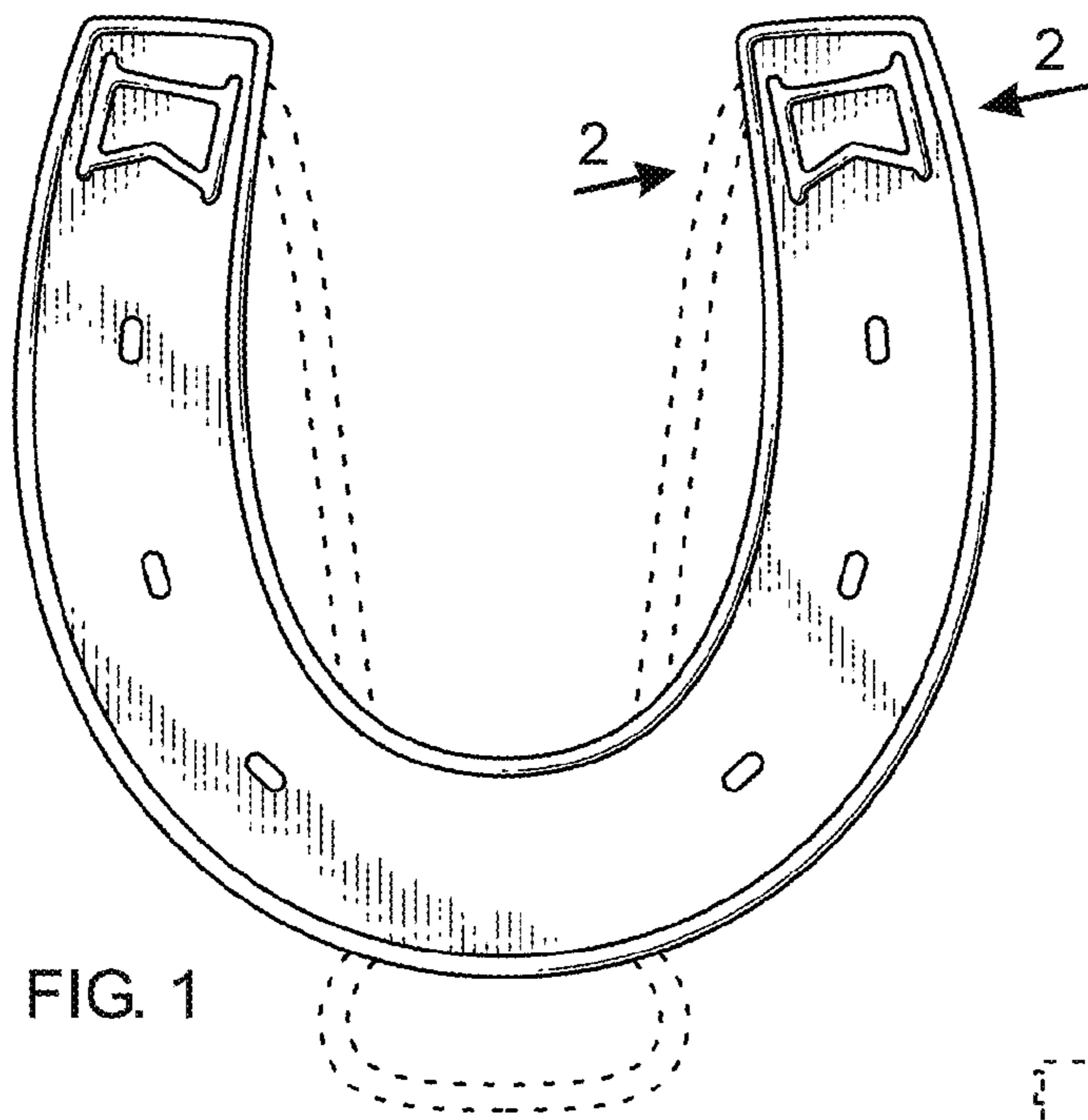


FIG. 1



FIG. 2

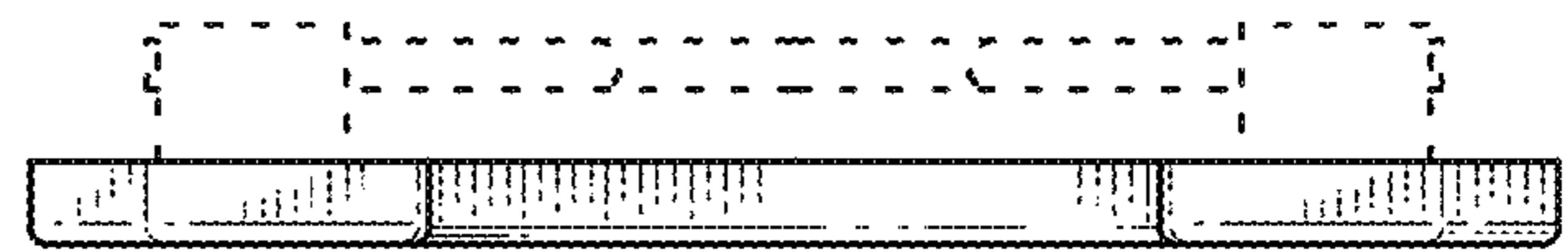


FIG. 3

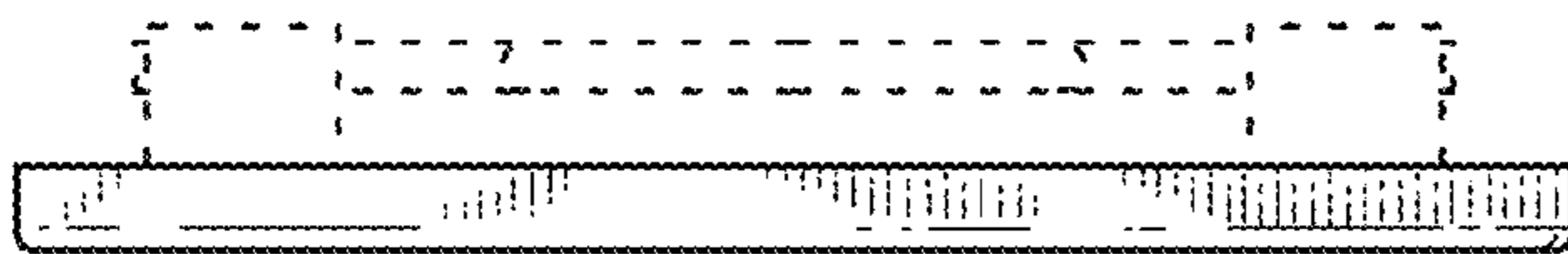


FIG. 4

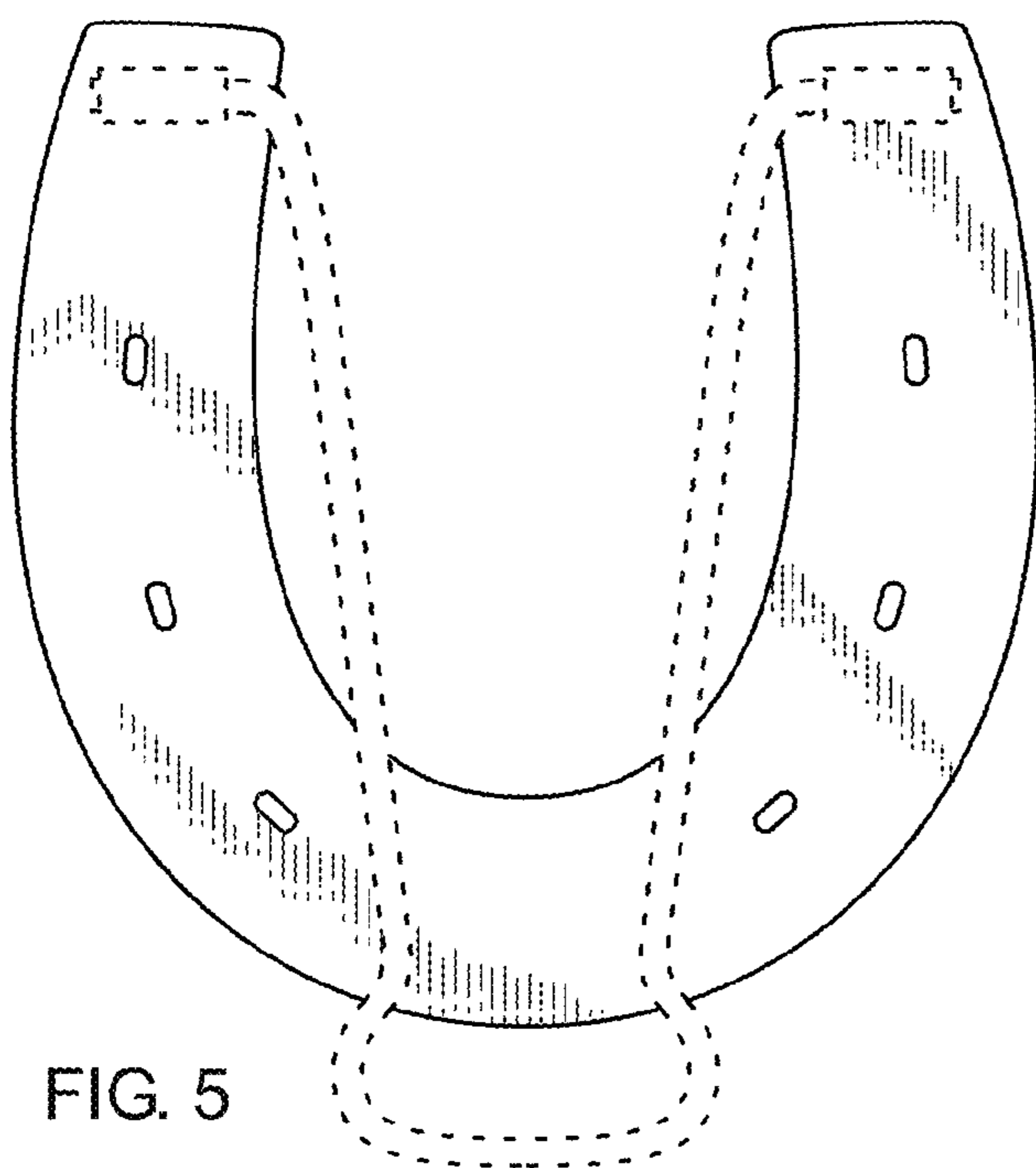


FIG. 5

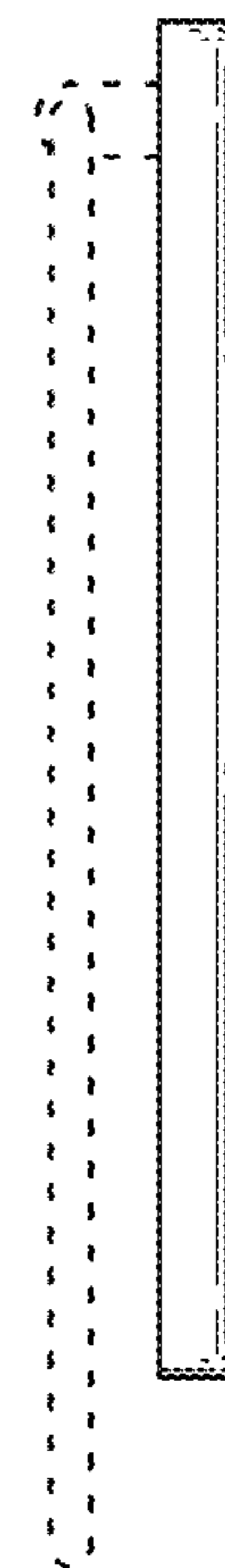


FIG. 6