



US00D915931S

(12) **United States Design Patent**
Fillon

(10) **Patent No.:** **US D915,931 S**

(45) **Date of Patent:** **** Apr. 13, 2021**

- (54) **ARTICLE OF JEWELRY**
- (71) Applicant: **CARTIER INTERNATIONAL AG,**
Steinhausen (CH)
- (72) Inventor: **Arnaud Fillon,** Paris (FR)
- (73) Assignee: **CARTIER INTERNATIONAL AG,**
Steinhausen (CH)
- (**) Term: **15 Years**
- (21) Appl. No.: **29/692,882**
- (22) Filed: **May 29, 2019**
- (30) **Foreign Application Priority Data**
Nov. 29, 2018 (WO) WIPO77635
- (51) **LOC (13) Cl.** **11-01**
- (52) **U.S. Cl.**
USPC **D11/34**
- (58) **Field of Classification Search**
USPC D11/1-20, 26-39, 40, 43, 91, 92
CPC A44C 5/00; A44C 5/0084; A44C 5/0092;
A44C 7/00; A44C 7/001; A44C 7/002;
A44C 9/00; A44C 9/0007; A44C 9/0015;
A44C 9/0023; A44C 9/003; A44C
9/0053; A44C 9/0061; A44C 9/02; A44C
15/003; A44C 15/0035
See application file for complete search history.

- (56) **References Cited**
U.S. PATENT DOCUMENTS
D106,976 S * 11/1937 Hokerk D11/6
D119,638 S * 3/1940 Ornstein D11/5
D123,109 S * 10/1940 Garfinkel D11/5
D128,297 S * 7/1941 Healy D11/5
D129,407 S * 9/1941 Wilmarth D11/9
D152,491 S * 1/1949 Ostier D11/4

- D230,625 S * 3/1974 Mechanic D11/26
- D254,273 S * 2/1980 Lawrence D11/11
- D300,675 S * 4/1989 Sacher D11/3
- 4,977,757 A * 12/1990 Mesica A44C 9/00
63/15
- D378,501 S * 3/1997 Garzi D11/4
- D400,465 S * 11/1998 Maurizio D11/6
- D405,380 S * 2/1999 Maurizio D11/3
- D447,436 S * 9/2001 Park D11/4
- D684,496 S * 6/2013 Haimoff D11/3
- D791,006 S * 7/2017 Ramsey D11/4
- D804,982 S * 12/2017 Bonner D11/79
- D804,983 S * 12/2017 Bonner D11/79
- D813,706 S * 3/2018 Bonner D11/26
- D813,707 S * 3/2018 Bonner D11/26
- D815,553 S * 4/2018 Fillon D11/4
- D815,974 S * 4/2018 Bonner D11/28
- D824,274 S * 7/2018 Trafton D11/3
- D825,371 S * 8/2018 Bonner D11/79
- D825,372 S * 8/2018 Bonner D11/79
- D872,618 S * 1/2020 Atkinson D11/6
- D877,642 S * 3/2020 Fillon D11/26
- D888,597 S * 6/2020 Fillon D11/41

* cited by examiner

Primary Examiner — Llorellys Martinez
(74) *Attorney, Agent, or Firm* — Oliff PLC

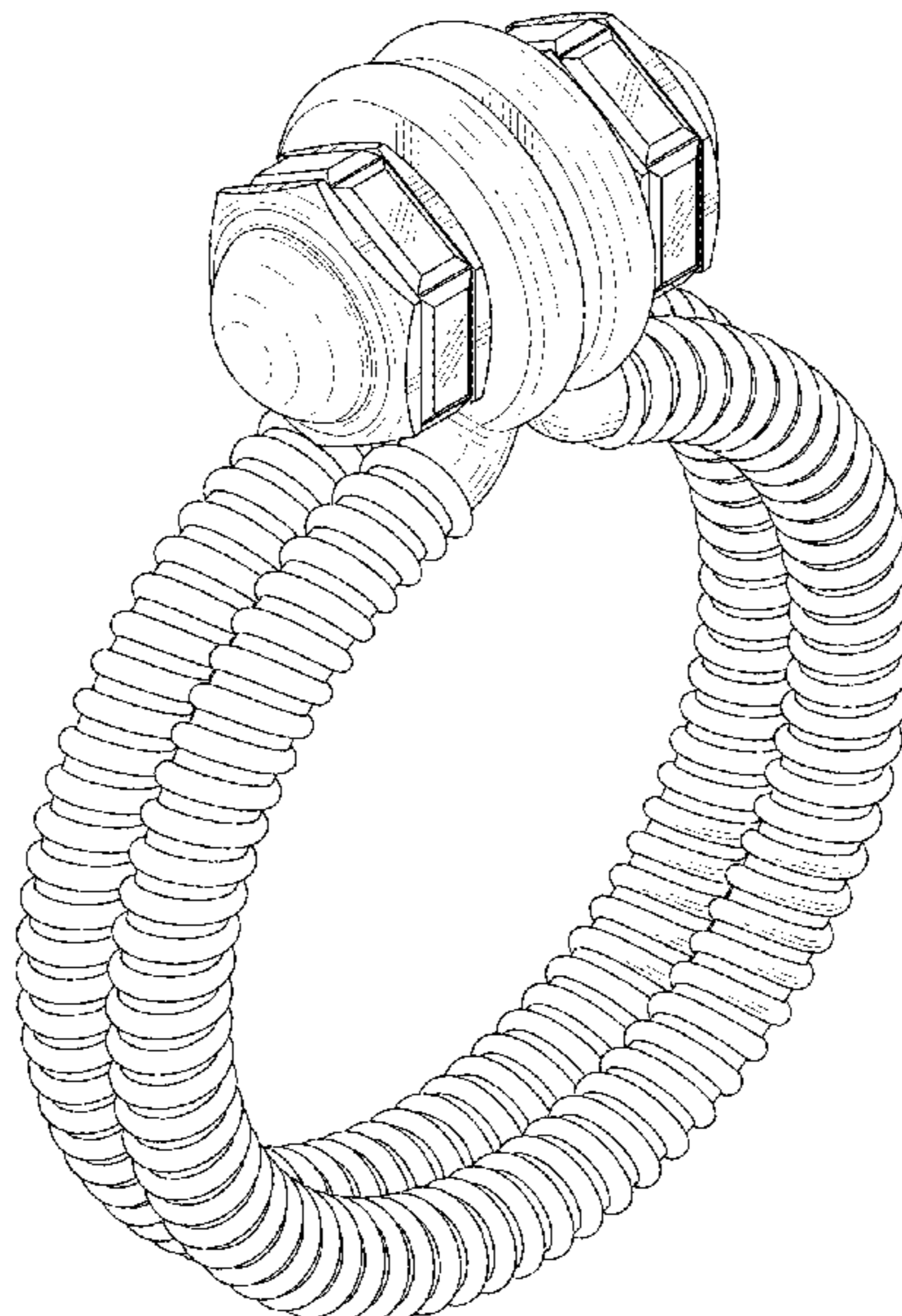
(57) **CLAIM**

The ornamental design for an article of jewelry, as shown and described.

DESCRIPTION

FIG. 1 is a front elevational view of an article of jewelry showing the new design, the rear elevational view (not provided) being identical thereto;
FIG. 2 is a top plan view thereof;
FIG. 3 is a bottom plan view thereof;
FIG. 4 is a left-side elevational view thereof, the right-side elevational view (not provided) being identical thereto; and,
FIG. 5 is a front, right-side, top perspective view thereof.

1 Claim, 4 Drawing Sheets



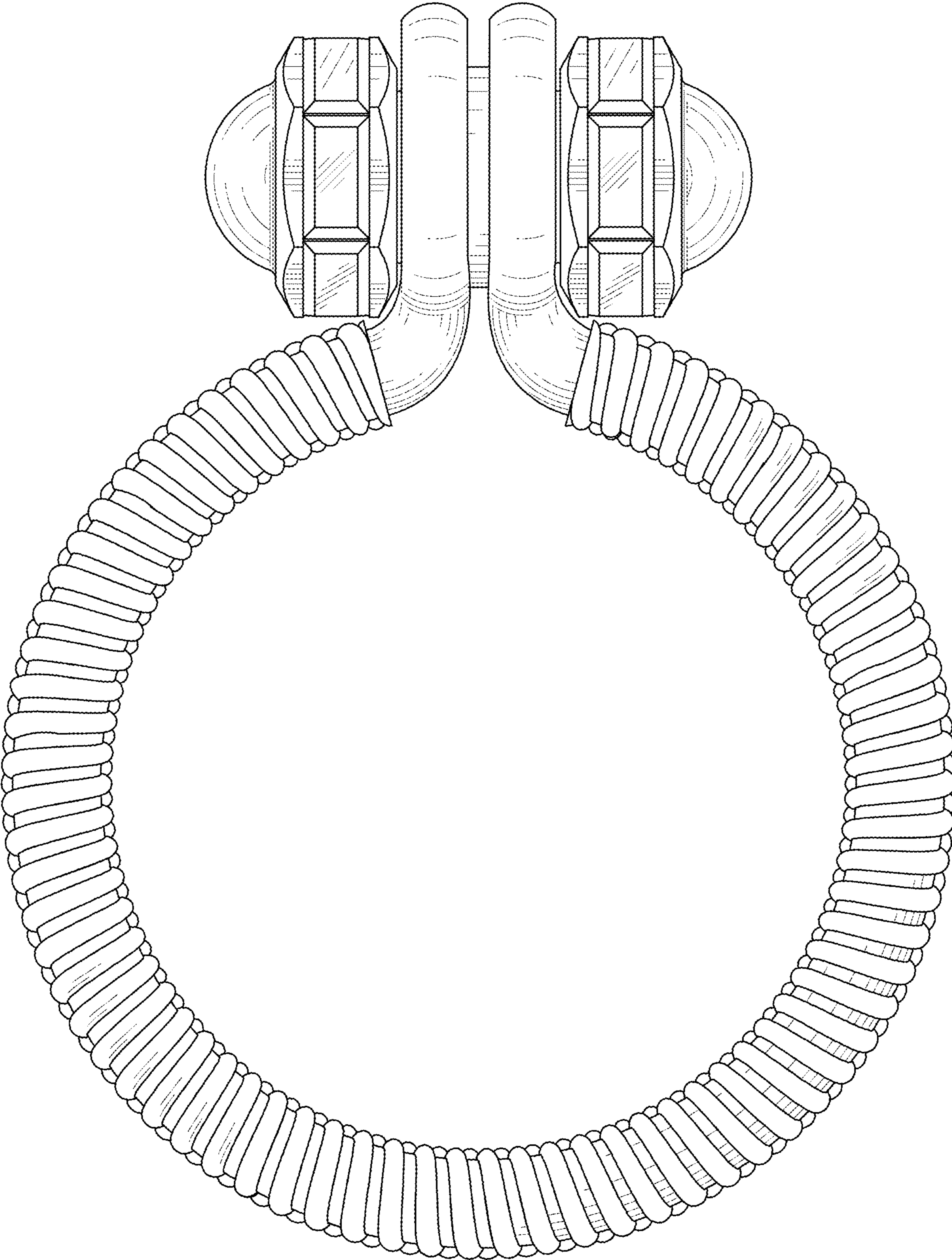


FIG. 1

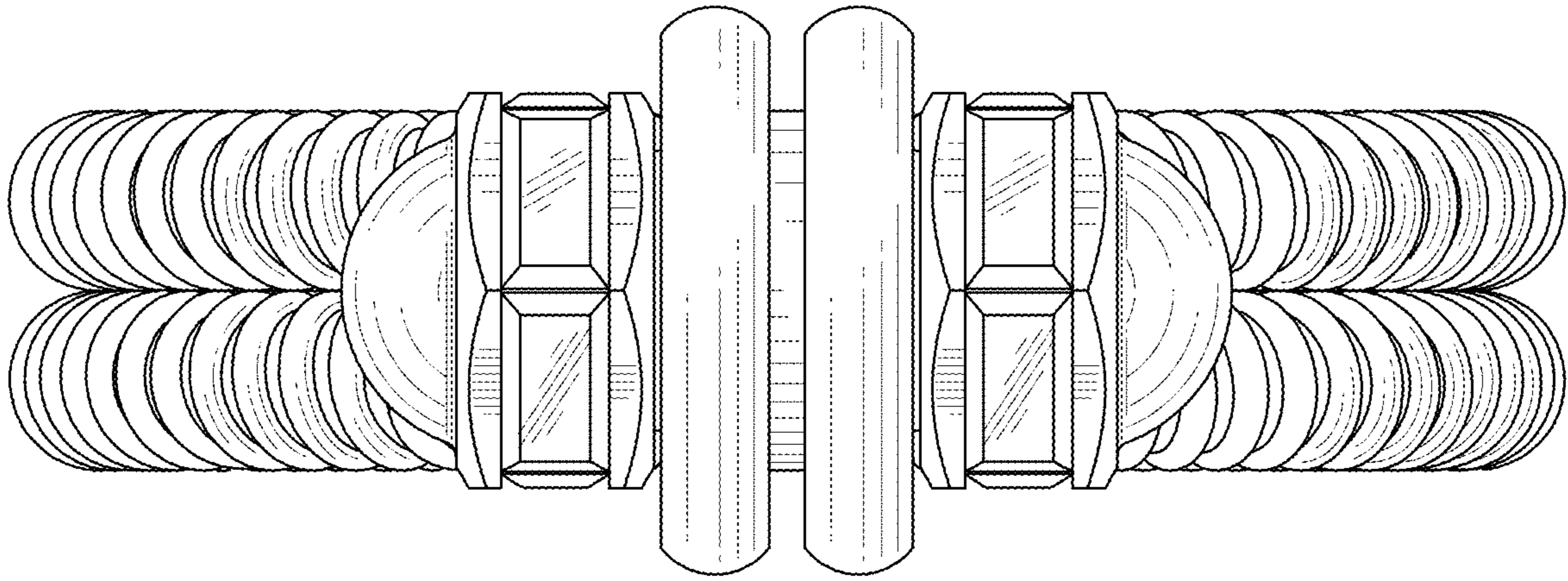


FIG. 2

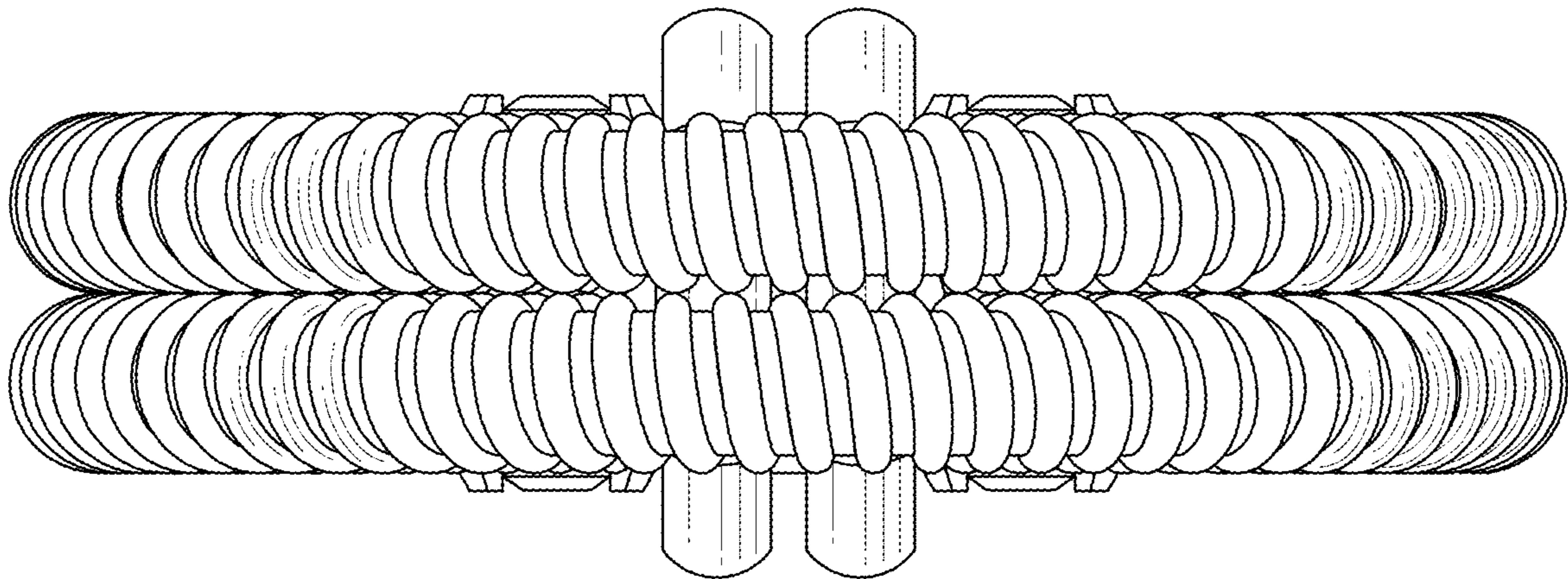


FIG. 3

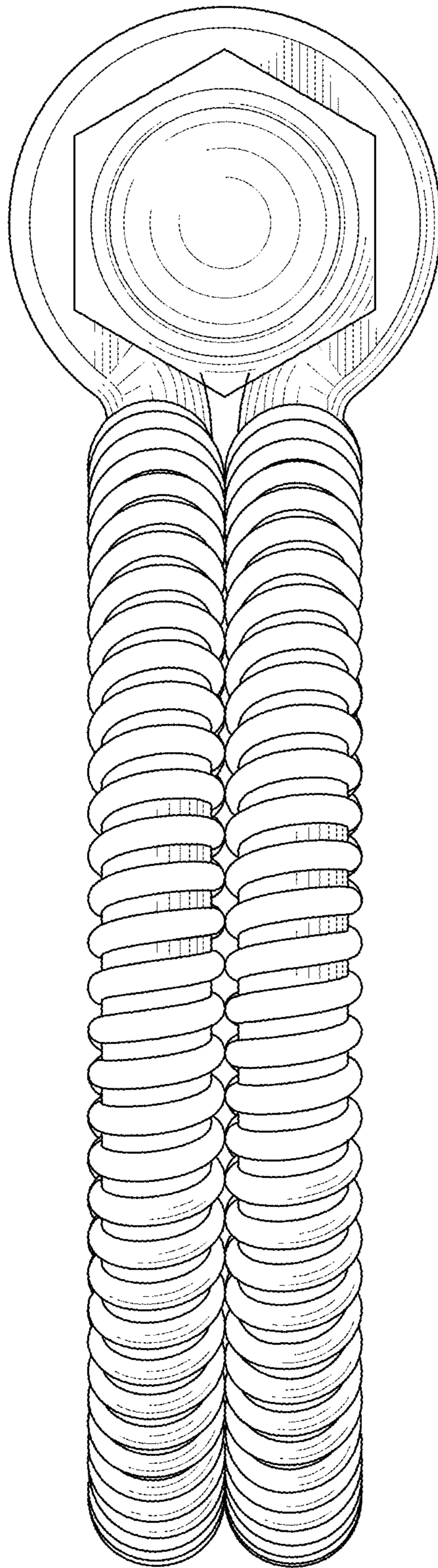


FIG. 4

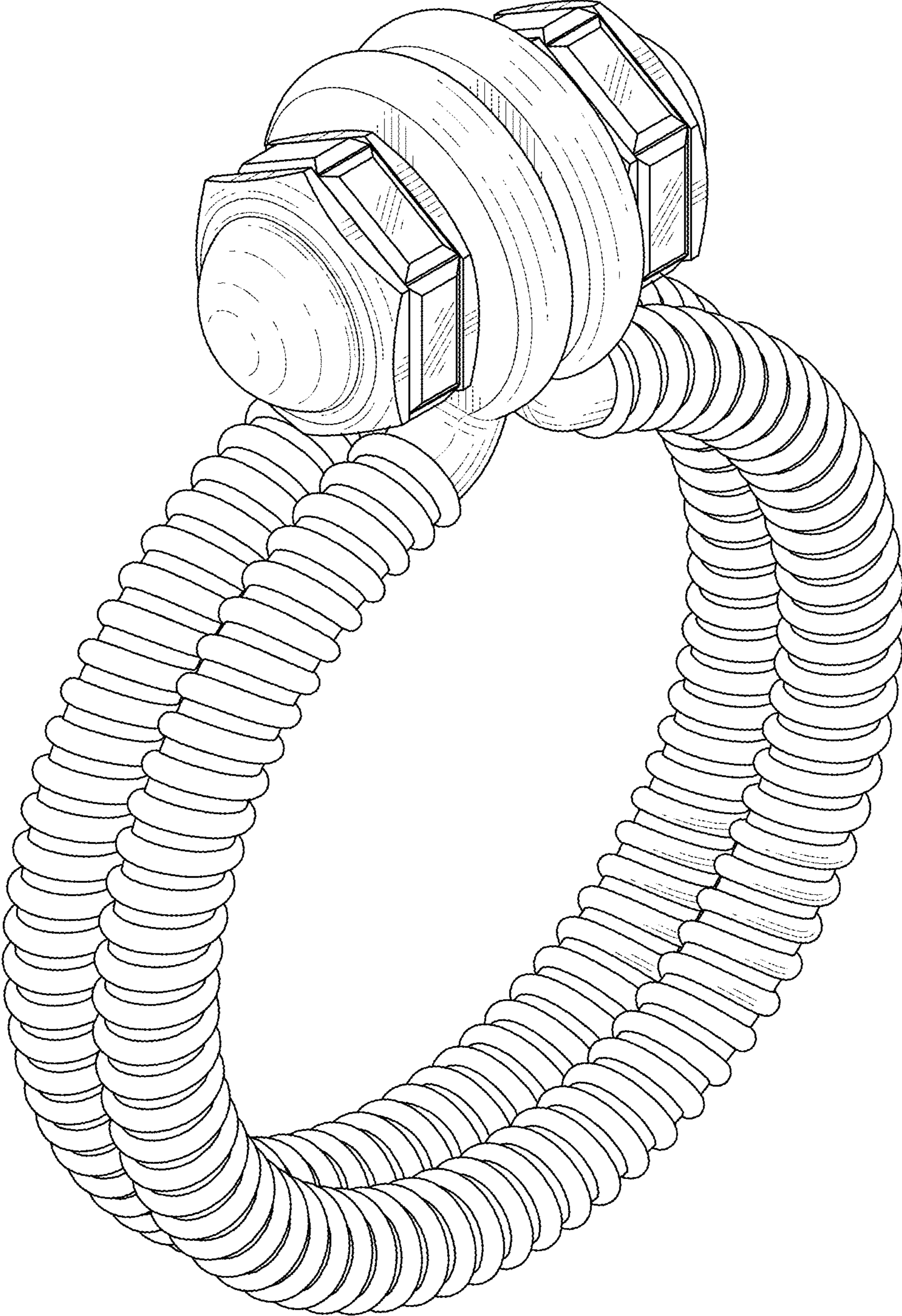


FIG. 5