



US00D915928S

(12) **United States Design Patent**
Jones

(10) **Patent No.:** **US D915,928 S**
(45) **Date of Patent:** **** Apr. 13, 2021**

- (54) **REVERSIBLE ARMBAND**
- (71) Applicant: **David Patrick Jones**, Hampton, NJ
(US)
- (72) Inventor: **David Patrick Jones**, Hampton, NJ
(US)
- (**) Term: **15 Years**
- (21) Appl. No.: **29/706,022**
- (22) Filed: **Sep. 17, 2019**
- (51) **LOC (13) Cl.** **11-01**
- (52) **U.S. Cl.**
USPC **D11/3; D14/344**
- (58) **Field of Classification Search**
USPC D11/1-5; D14/344; D3/218
CPC A44C 5/00; A44C 5/0007; A44C 5/0015;
A44C 5/0023; A44C 5/003; A44C
5/0046; A44C 5/0053; A44C 5/0084;
A44C 15/0015; A44C 15/002; A44C
15/0025; A44C 15/003; A44C 15/004;
G06F 1/163; A63B 2071/0663; A63B
71/0619
See application file for complete search history.

- 7,393,336 B2 * 7/2008 Sloat A61F 5/0104
602/60
- 8,424,341 B2 * 4/2013 Summerford A44C 15/005
63/33
- D710,220 S * 8/2014 Daniel D10/32
- D722,903 S * 2/2015 Rimsky D11/3
- D735,711 S * 8/2015 Kuwabara D14/344
- D741,855 S * 10/2015 Park D14/344
- D750,623 S * 3/2016 Park D14/344

(Continued)

Primary Examiner — Llorellys Martinez

(57) **CLAIM**

The ornamental design for a reversible armband, as shown and described.

DESCRIPTION

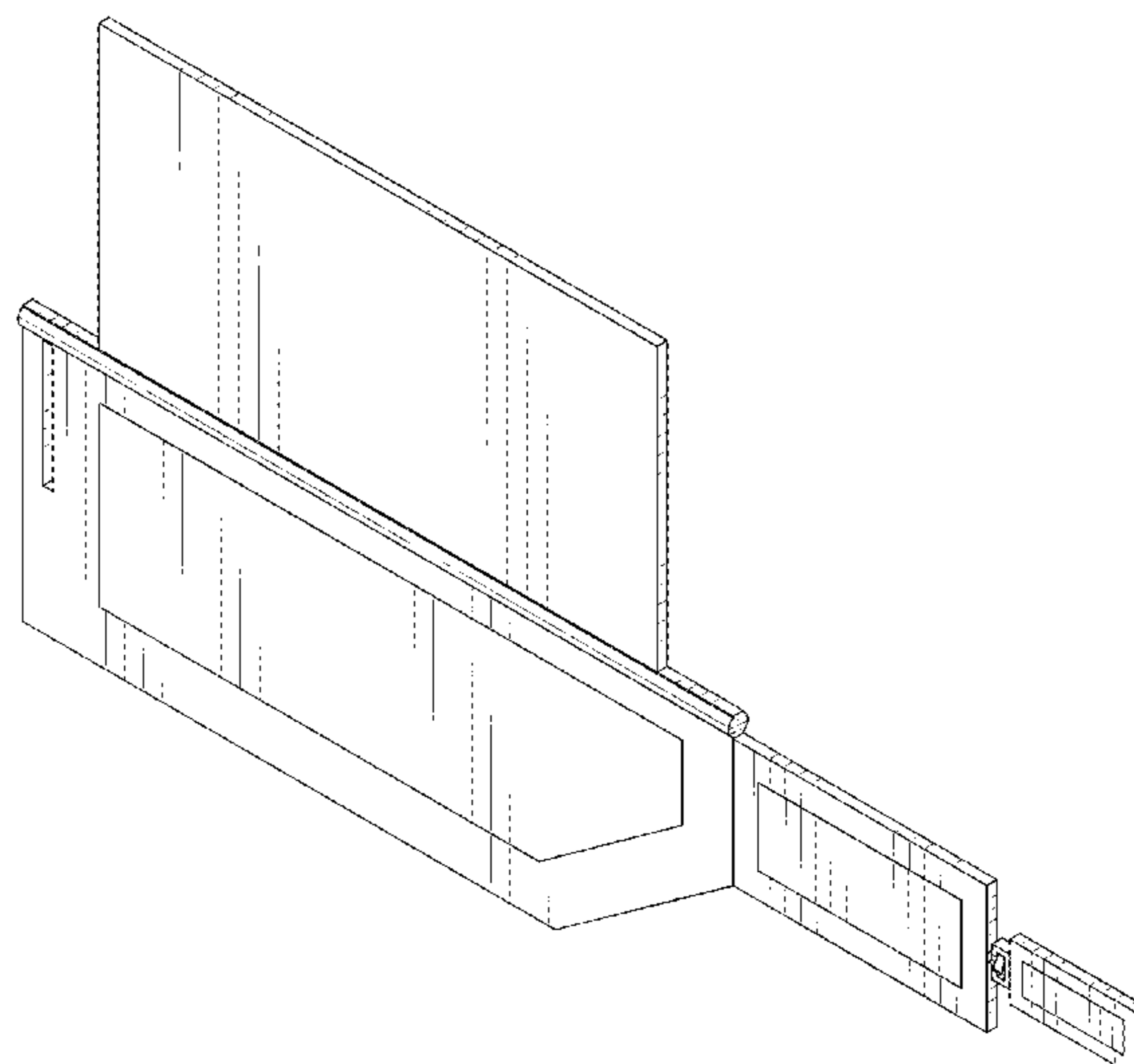
FIG. 1 is a top front perspective view of a reversible armband showing my new design;
 FIG. 2 is a bottom rear perspective view thereof;
 FIG. 3 is a front view thereof;
 FIG. 4 is a rear view thereof;
 FIG. 5 is a top view thereof;
 FIG. 6 is a bottom view thereof;
 FIG. 7 is a right side view thereof;
 FIG. 8 is a left side view thereof;
 FIG. 9 is a top front perspective view thereof with the flap folded in an alternative position;
 FIG. 10 is a top front perspective view thereof with the flap folded in another alternative position;
 FIG. 11 is a top front perspective view thereof with the reversible fastener in an alternative position;
 FIG. 12 is a top front perspective view thereof in a closed position; and,
 FIG. 13 is a top front perspective view thereof in another closed position.
 The broken line showing in FIGS. 12 and 13 represents environmental structure only and forms no part of the claimed design.

(56) **References Cited**

U.S. PATENT DOCUMENTS

- 1,445,528 A * 2/1923 Marsh A44C 5/003
224/222
- 2,599,311 A * 6/1952 Anderson G09F 3/005
D11/2
- 4,277,847 A * 7/1981 Florio A61F 9/045
2/12
- D287,229 S * 12/1986 Hallman D11/5
- D365,442 S * 12/1995 Davis D11/3
- D383,993 S * 9/1997 Kalbach D11/3
- D390,800 S * 2/1998 Yamamoto D10/32
- 6,227,424 B1 * 5/2001 Roegner A45C 1/04
150/131
- 6,546,656 B2 * 4/2003 Twentier G09F 3/005
63/3.1

1 Claim, 13 Drawing Sheets



(56)

References Cited

U.S. PATENT DOCUMENTS

D789,683 S * 6/2017 Bartlett D3/226
D799,362 S * 10/2017 Haynes D11/5
D827,478 S * 9/2018 Samardzija D11/3
2009/0183299 A1* 7/2009 Conway A44C 5/0053
2/170
2010/0237115 A1* 9/2010 Booker A44C 5/003
224/267
2014/0163306 A1* 6/2014 Sykes A61N 2/008
63/1.11
2018/0235325 A1* 8/2018 Samardzija A44C 5/003

* cited by examiner

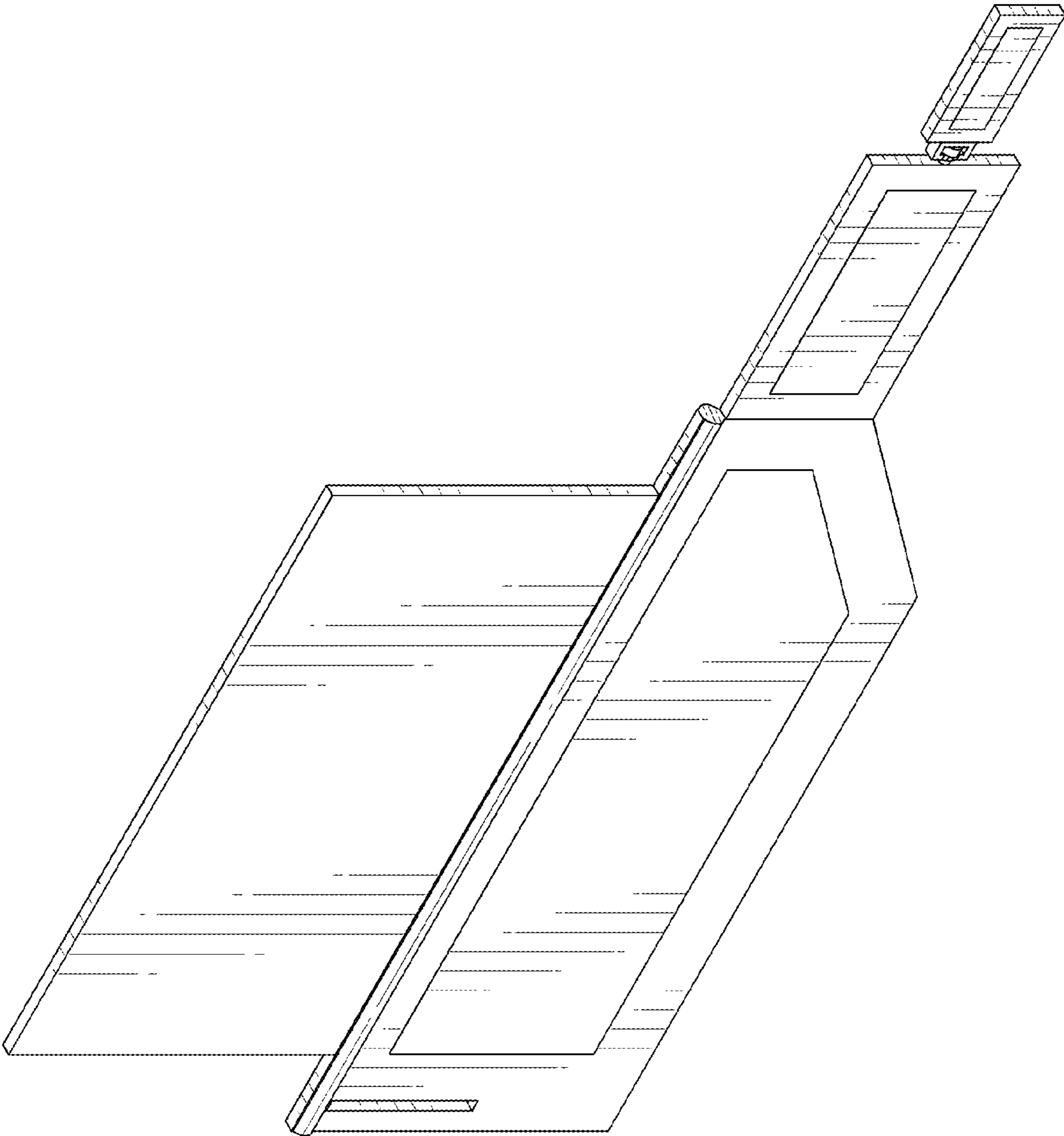


FIG 1

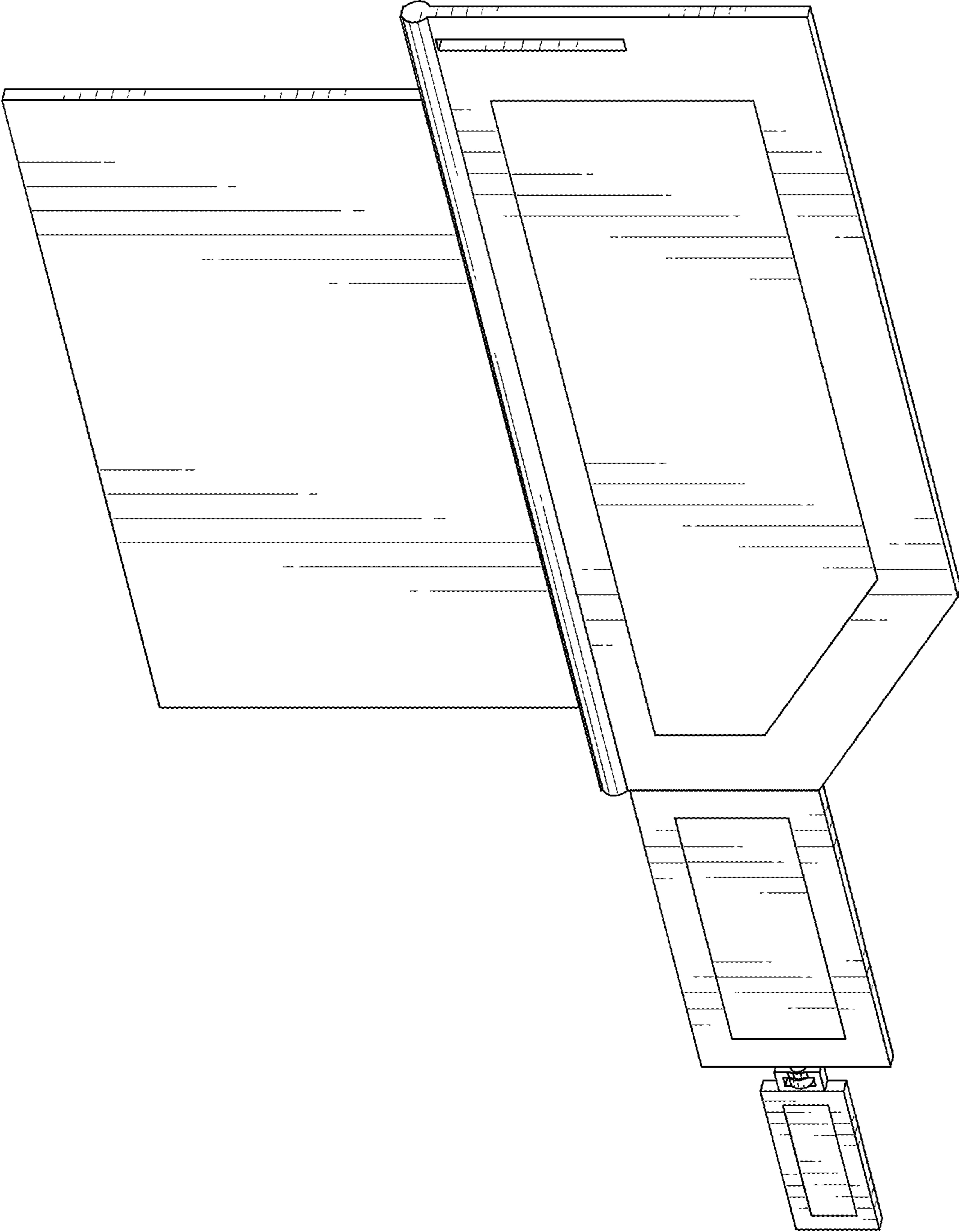


FIG 2

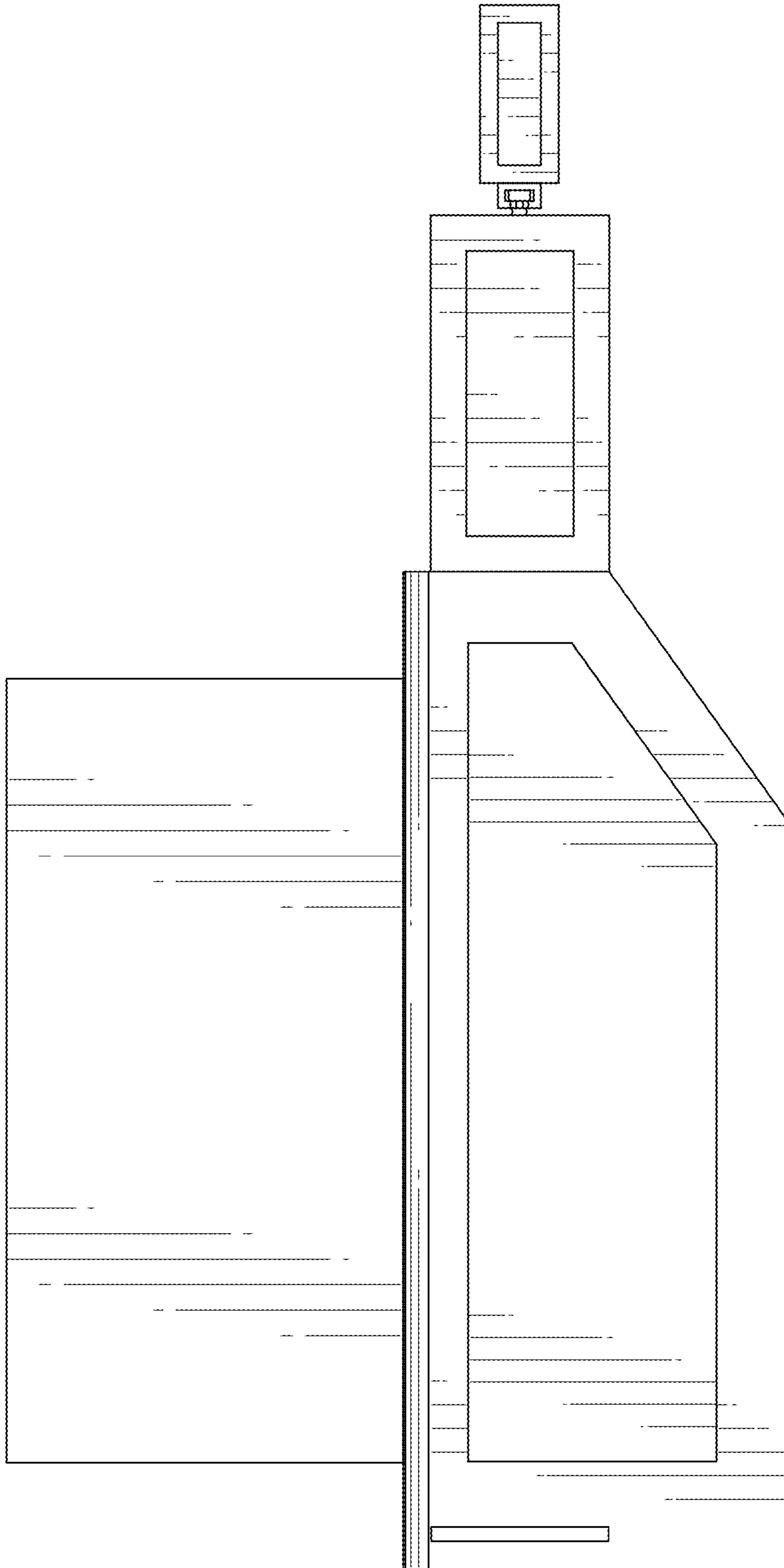


FIG 3

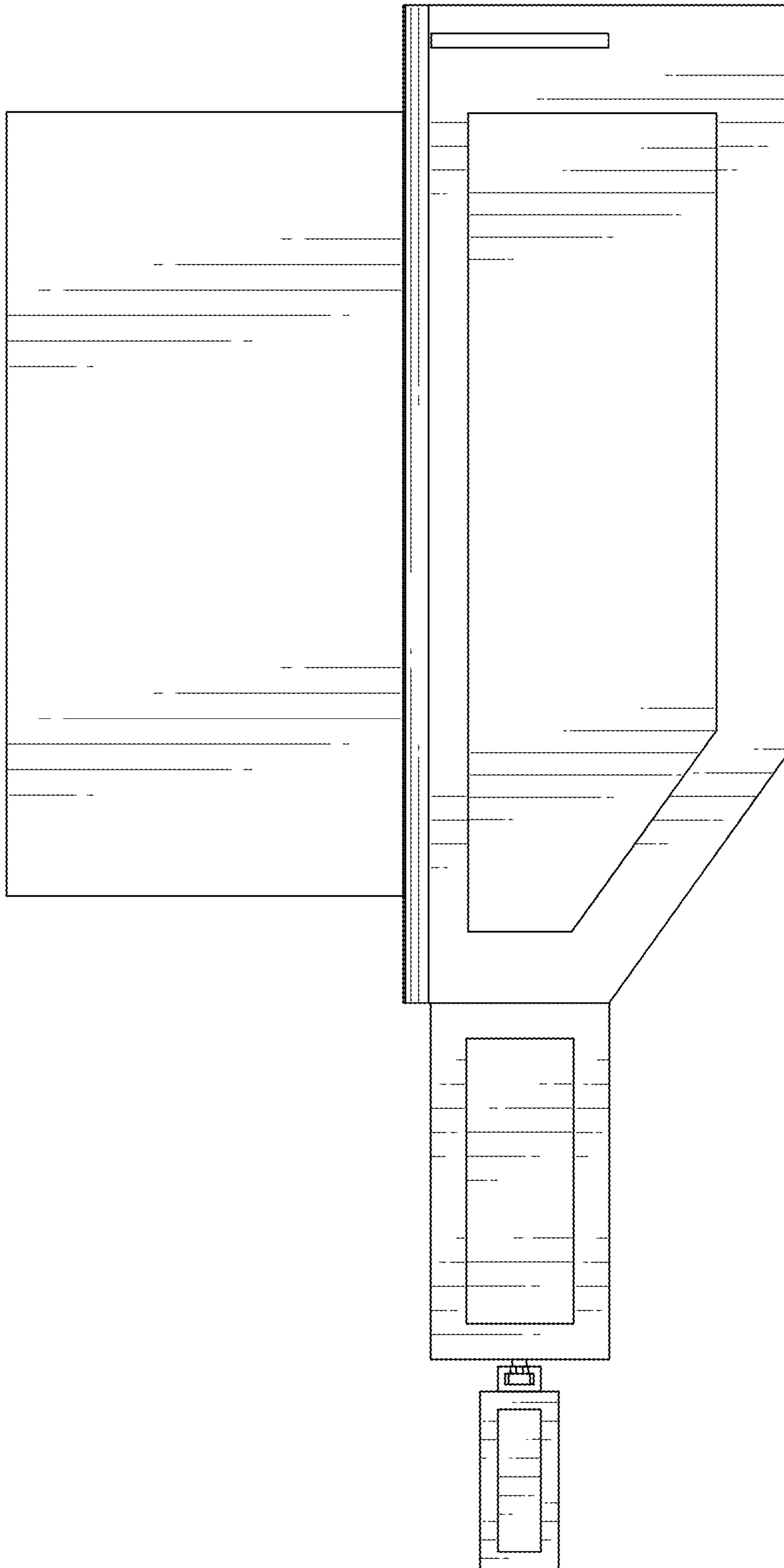


FIG 4



FIG 5



FIG 6



FIG 7



FIG 8

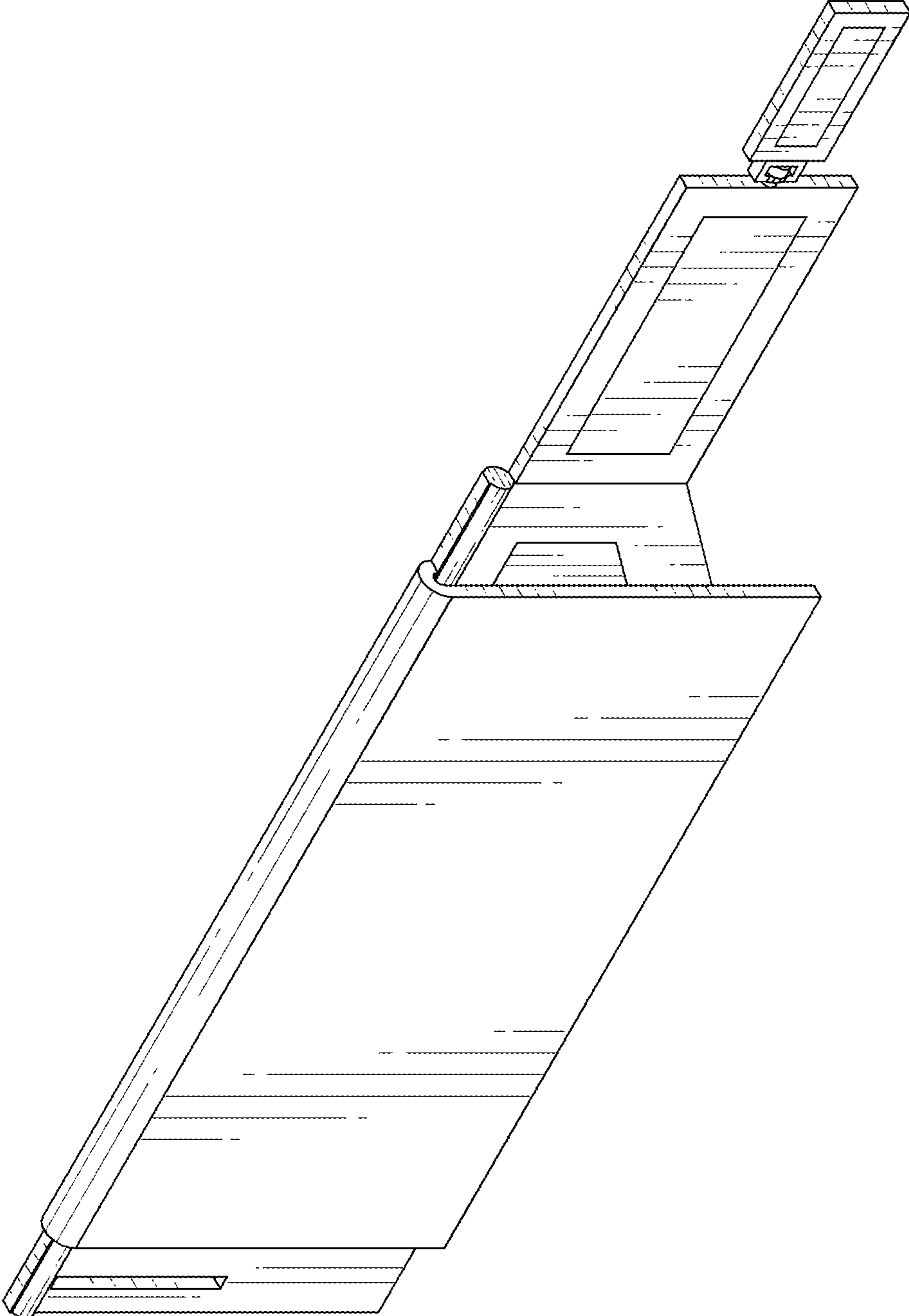


FIG 9

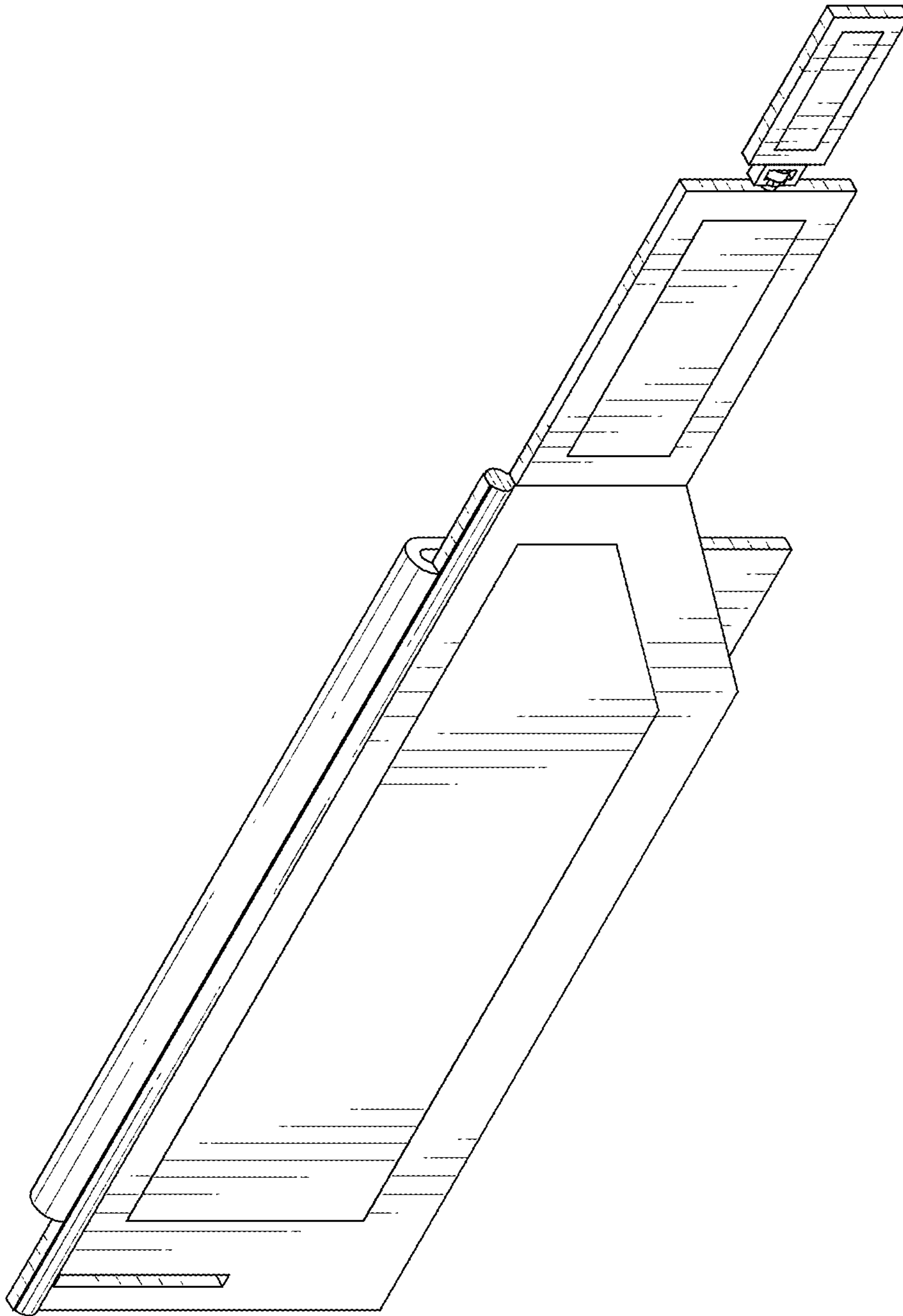


FIG 10

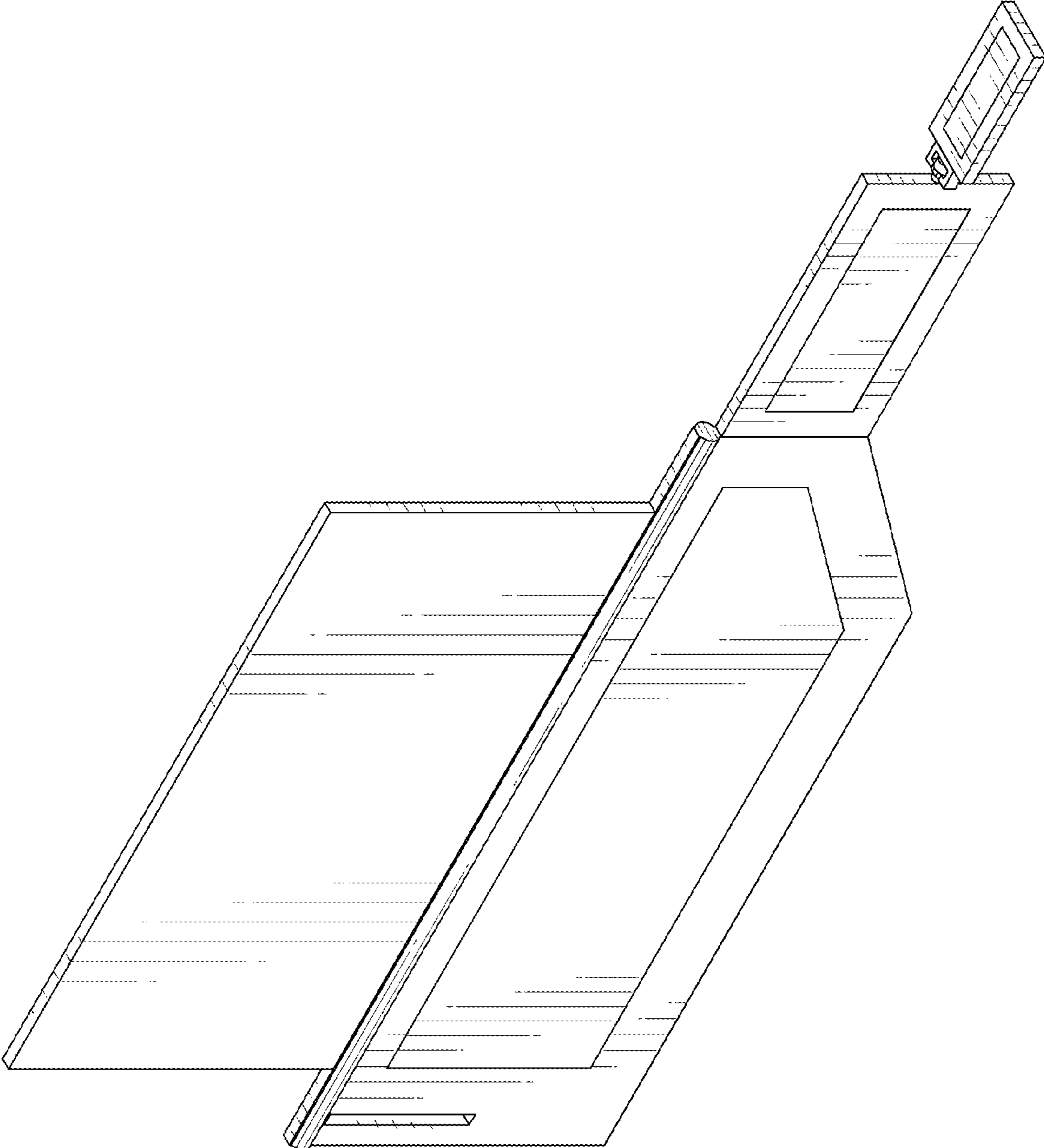


FIG 11

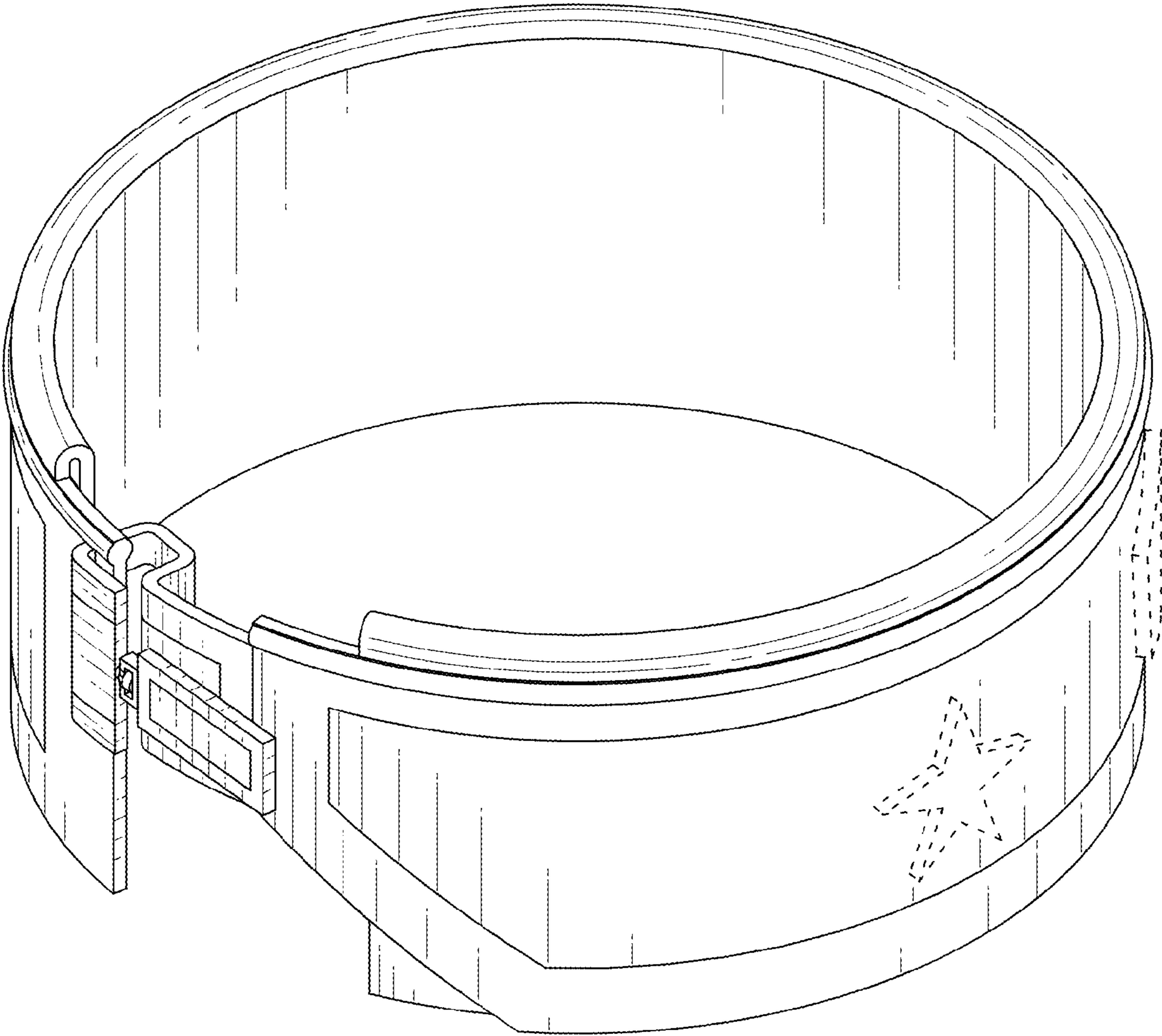


FIG 12

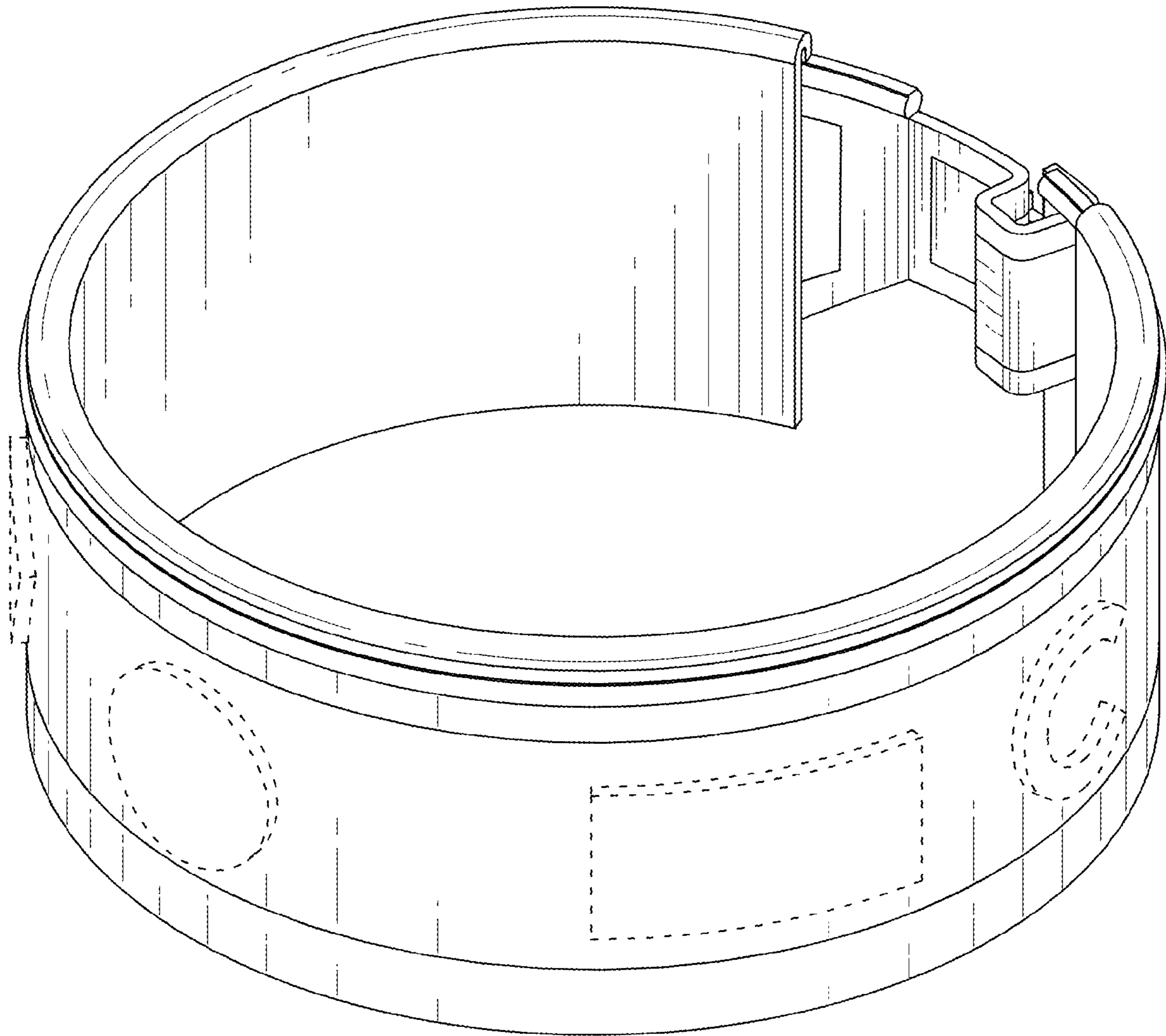


FIG 13