



US00D915927S

(12) **United States Design Patent**  
**Bicego**

(10) **Patent No.:** **US D915,927 S**

(45) **Date of Patent:** **\*\* Apr. 13, 2021**

(54) **ARTICLE OF JEWELRY**  
(71) Applicant: **MARCO BICEGO S.P.A.**, Trissino (IT)  
(72) Inventor: **Marco Bicego**, Trissino (IT)  
(73) Assignee: **Marco Bicego S.P.A.**, Trissino (IT)  
(\*\*) Term: **15 Years**  
(21) Appl. No.: **29/694,013**

D141,301 S \* 5/1945 Hobe ..... D11/67  
D143,214 S \* 12/1945 Katz ..... D11/67  
D144,253 S \* 3/1946 Mersereau ..... D11/57  
D160,203 S \* 9/1950 Philippe ..... D11/67  
D658,083 S \* 4/2012 Ghirardi ..... D11/1  
D702,589 S \* 4/2014 Pasquetti ..... D11/63  
D713,754 S \* 9/2014 Pasquetti ..... D11/33  
D794,499 S \* 8/2017 Hardy ..... D11/92  
D802,468 S \* 11/2017 Barden ..... D11/40  
D847,690 S \* 5/2019 Ho ..... D11/92  
D847,691 S \* 5/2019 Ho ..... D11/92  
D876,274 S \* 2/2020 Parvex ..... D11/63  
D902,073 S \* 11/2020 Silvestri ..... D11/91  
2017/0112241 A1\* 4/2017 Fukui ..... A44C 17/02

(22) Filed: **Jun. 6, 2019**  
(51) **LOC (13) Cl.** ..... **11-01**  
(52) **U.S. Cl.**  
USPC ..... **D11/1**  
(58) **Field of Classification Search**  
USPC ... D11/1, 26, 34, 40, 49, 63, 67, 79, 86, 91,  
D11/92  
CPC ..... A44C 17/00; A44C 17/02; A44C 25/001;  
A44C 1/00  
See application file for complete search history.

\* cited by examiner

*Primary Examiner* — Llorellys Martinez  
(74) *Attorney, Agent, or Firm* — Workman Nydegger

(57) **CLAIM**

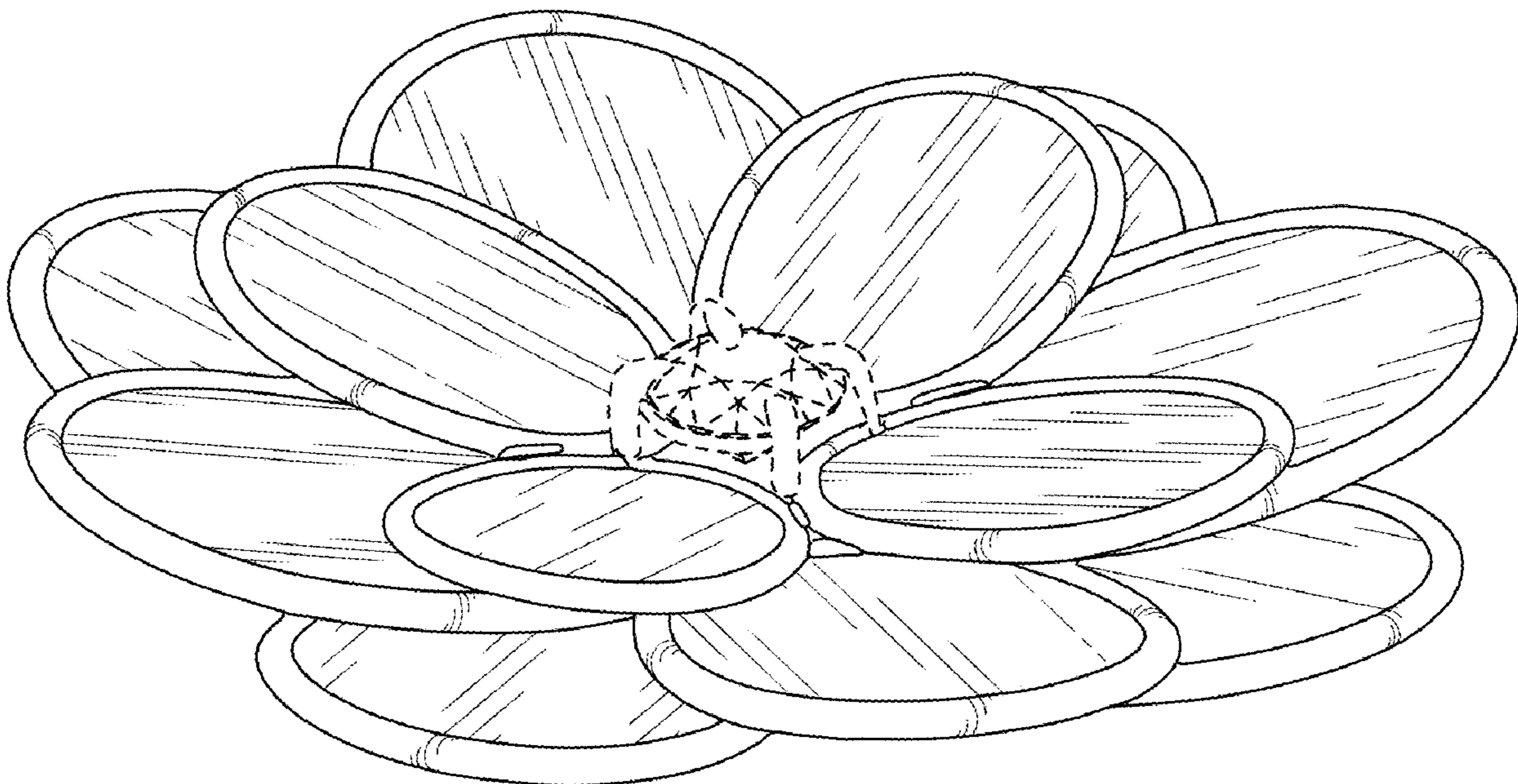
The ornamental design for an article of jewelry, as shown and described.

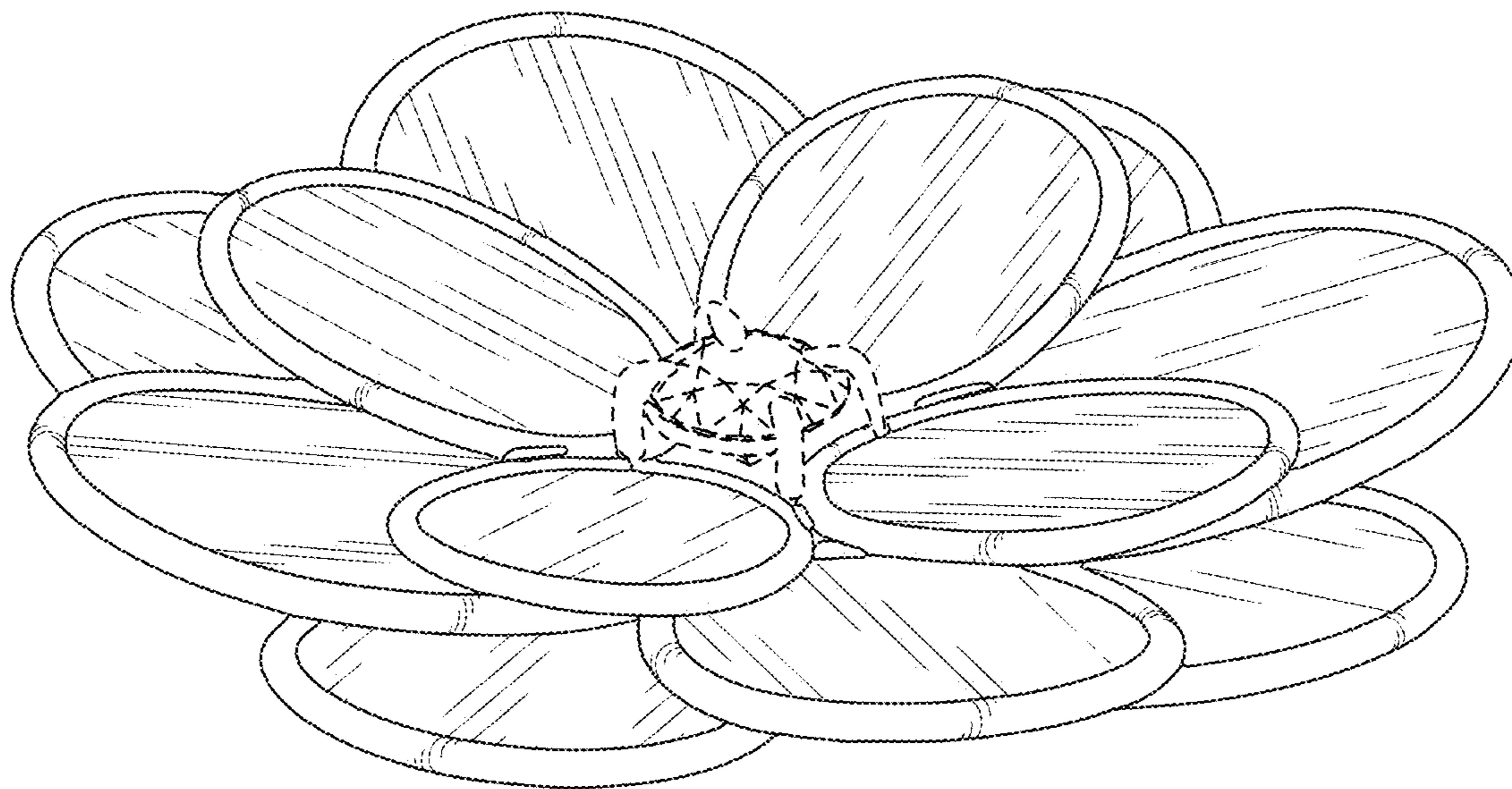
**DESCRIPTION**

FIG. 1 is a top perspective view of an article of jewelry showing my new design;  
FIG. 2 is a bottom perspective view thereof;  
FIG. 3 is a top plan view thereof;  
FIG. 4 is a bottom plan view thereof;  
FIG. 5 is a front elevational view thereof;  
FIG. 6 is a rear elevational view thereof;  
FIG. 7 is a right side elevational view thereof; and,  
FIG. 8 is a left side elevational view thereof.  
The broken lines in FIGS. 1 and 3 represent portions of the article of jewelry that form no part of the claimed design.

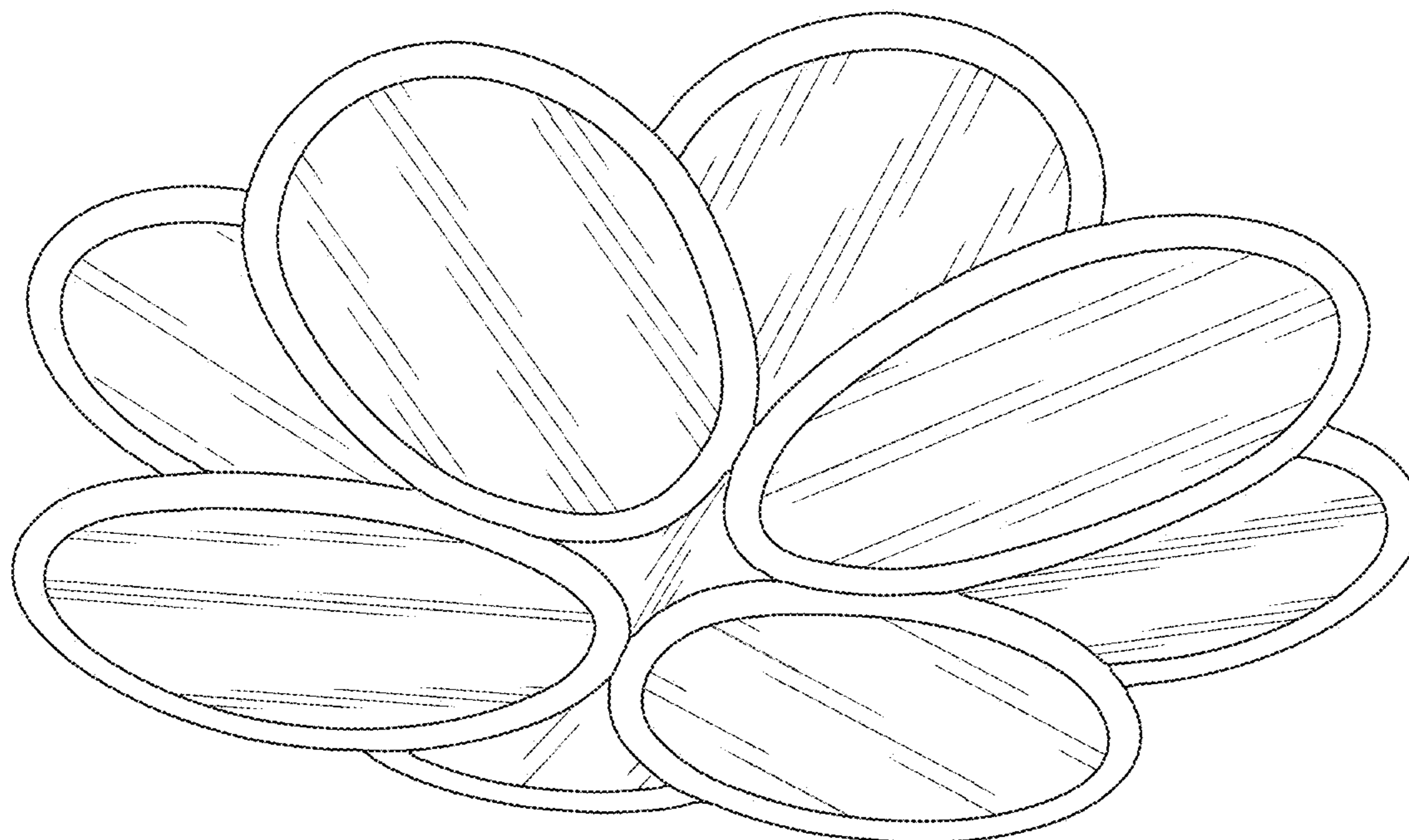
(56) **References Cited**  
U.S. PATENT DOCUMENTS  
D9,154 S \* 3/1876 Beals ..... D11/67  
D21,690 S \* 7/1892 Fuchs ..... D11/63  
D121,208 S \* 6/1940 Katz ..... D11/8  
D123,658 S \* 11/1940 Silson ..... D11/63  
D128,675 S \* 8/1941 Greenberg ..... D11/86  
D129,570 S \* 9/1941 Mark ..... D11/63  
D130,313 S \* 11/1941 Schraysshuen ..... D11/91  
D132,523 S \* 5/1942 Gerstenzang ..... D11/67  
D135,301 S \* 3/1943 Meyer ..... D11/67  
D135,780 S \* 6/1943 Levy ..... D11/40  
D137,649 S \* 4/1944 Steiner ..... D11/67

**1 Claim, 4 Drawing Sheets**





**FIG. 1**



**FIG. 2**

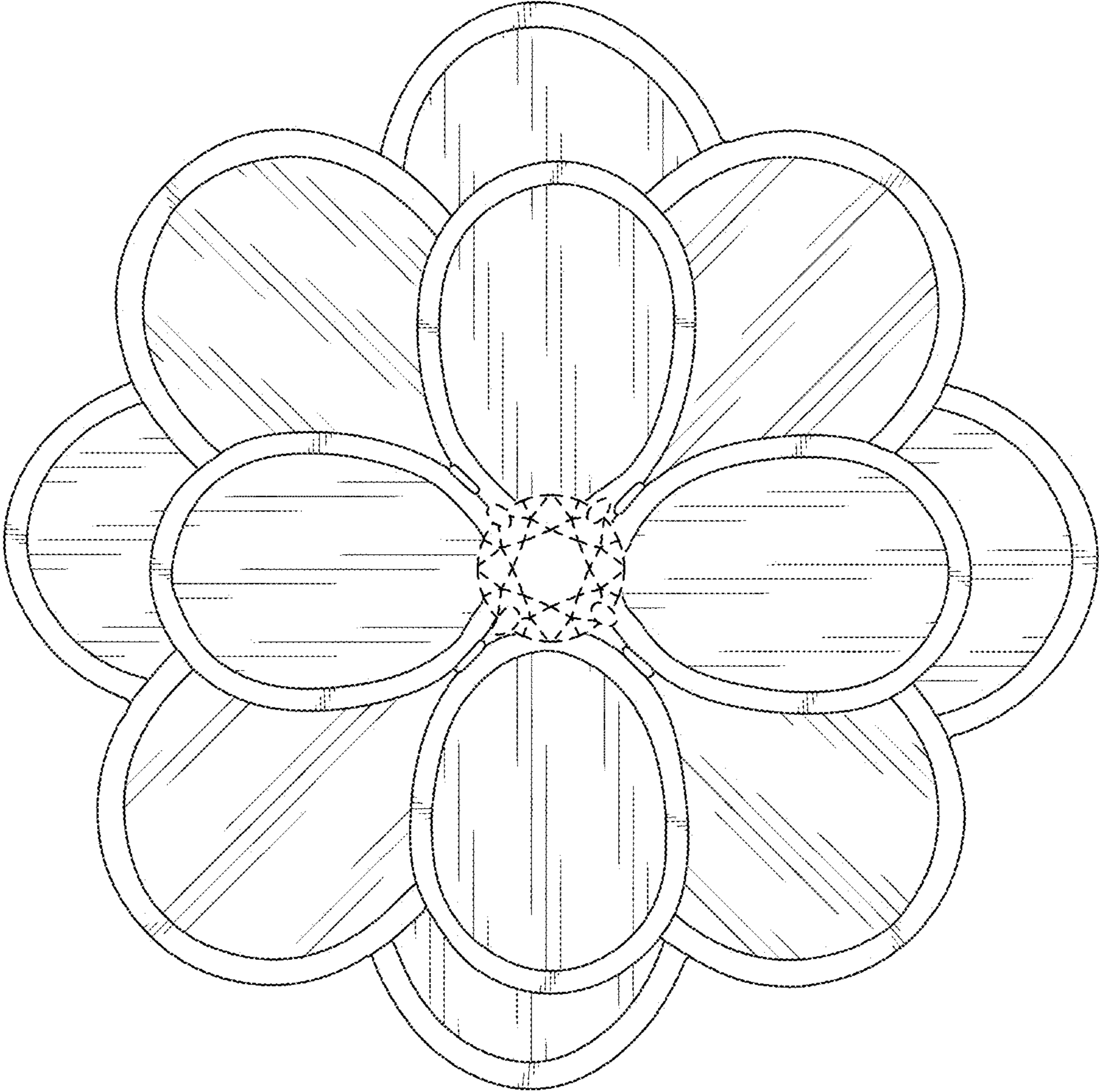
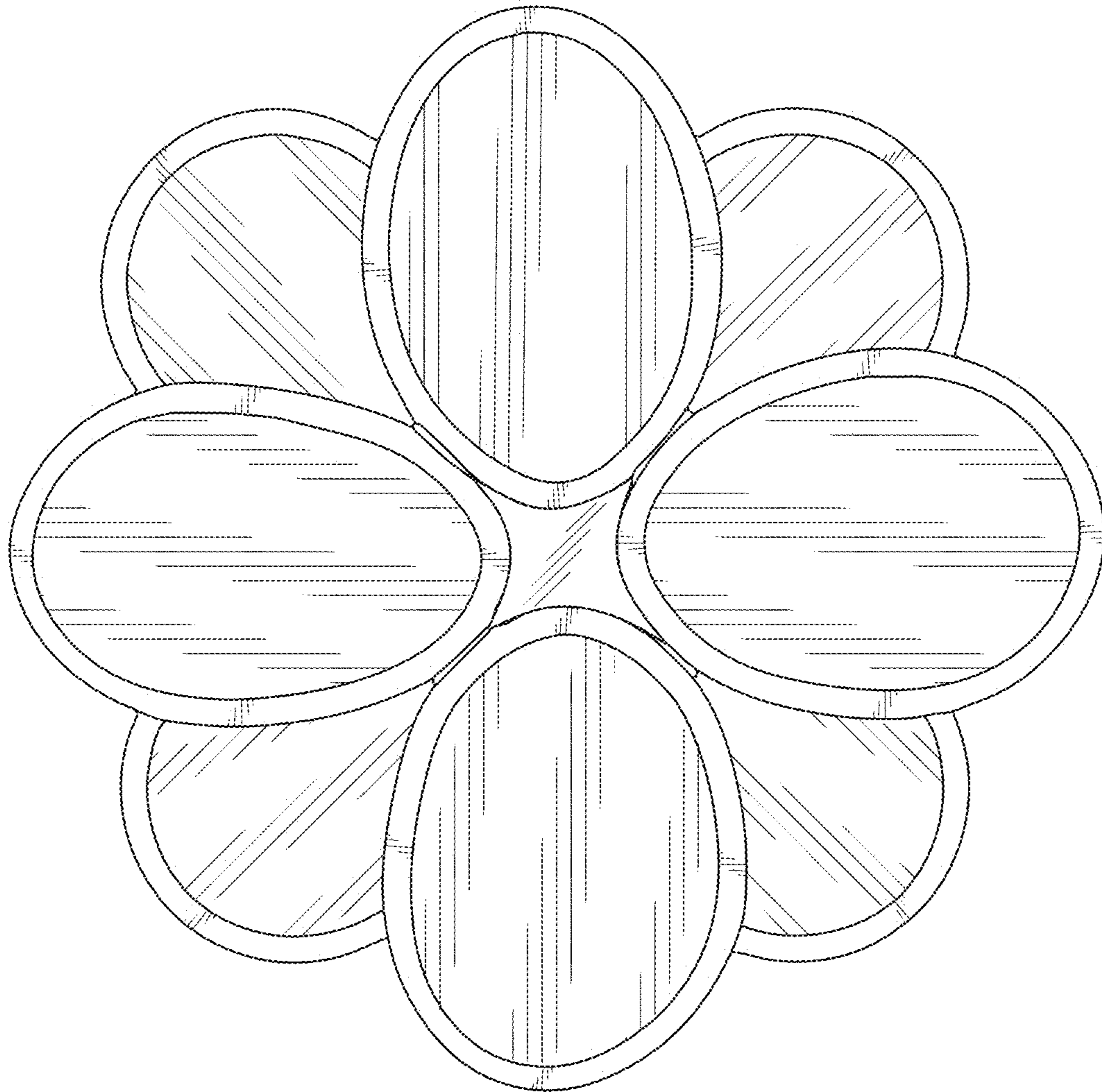
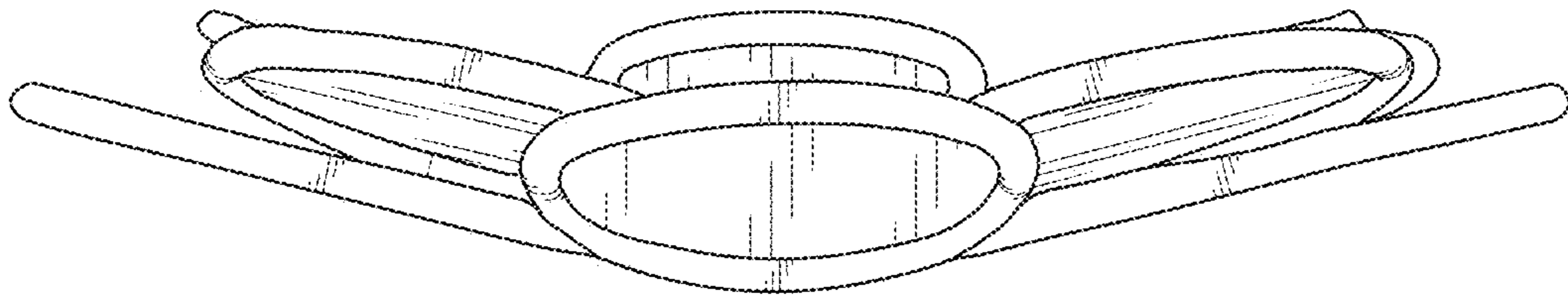


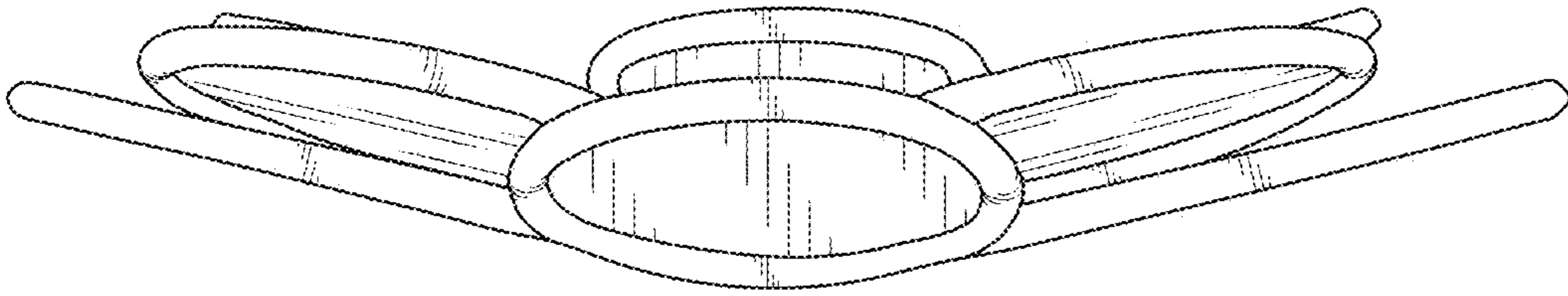
FIG. 3



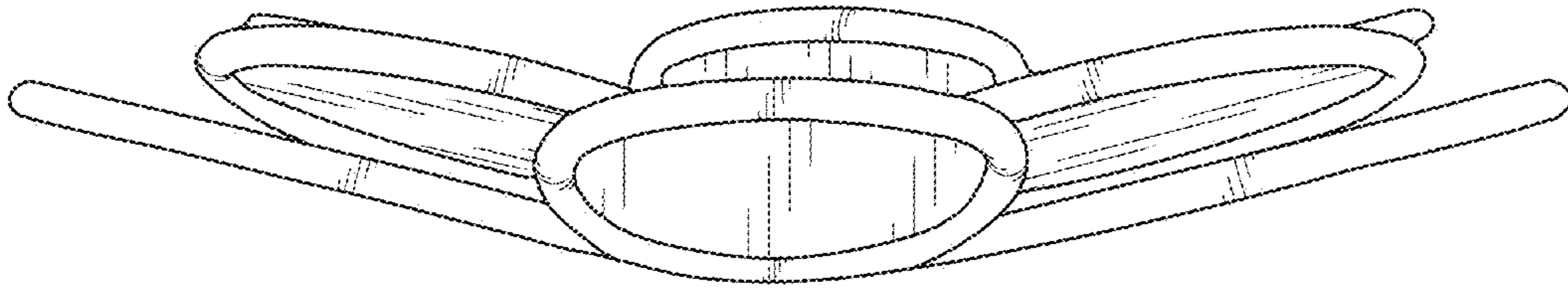
**FIG. 4**



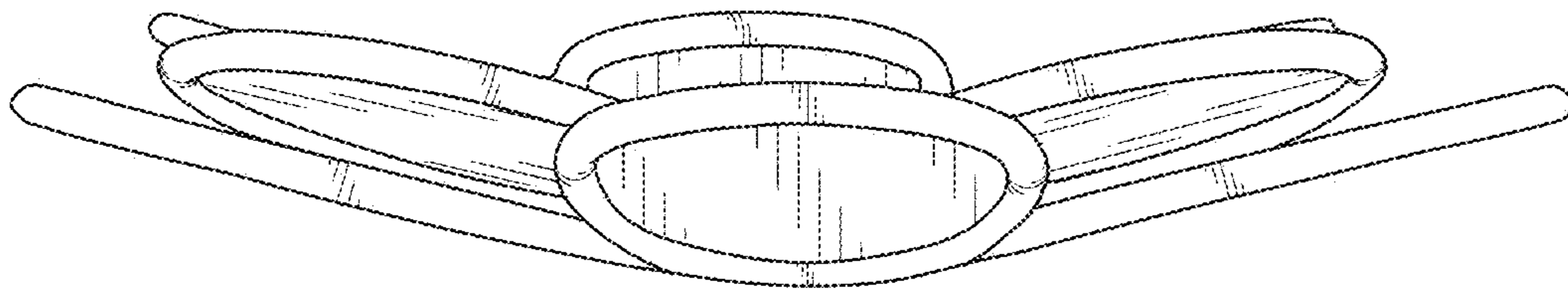
**FIG. 5**



**FIG. 6**



**FIG. 7**



**FIG. 8**