



US00D915920S

(12) **United States Design Patent** (10) **Patent No.:** **US D915,920 S**
Deyaf et al. (45) **Date of Patent:** **** Apr. 13, 2021**

(54) **SURFACE MOUNT WARNING LIGHT**

(71) Applicant: **SpeedTech Lights, Inc.**, Buda, TX (US)

(72) Inventors: **Malik Deyaf**, Buda, TX (US); **Ferdous Deyaf**, Buda, TX (US)

(73) Assignee: **SpeedTech Lights, Inc.**, Buda, TX (US)

(**) Term: **15 Years**

(21) Appl. No.: **29/748,770**

(22) Filed: **Sep. 1, 2020**

(51) **LOC (13) Cl.** **10-05**

(52) **U.S. Cl.**
USPC **D10/114.1**

(58) **Field of Classification Search**
USPC D10/104.1, 114.1, 114.3; D26/28
See application file for complete search history.

(56) **References Cited**

U.S. PATENT DOCUMENTS

D263,823 S	4/1982	Chapman	
D334,935 S	4/1993	Goto	
D397,635 S	9/1998	Chu	
D518,023 S	3/2006	Miller	
D589,834 S	4/2009	Lyons et al.	
D592,088 S	5/2009	Miller	
D592,985 S *	5/2009	Barnett	D10/114.1
D610,931 S	3/2010	Lyons	
D614,062 S	4/2010	Shin	
D614,521 S	4/2010	Lyons	
D618,572 S	6/2010	Shin	
D639,688 S	6/2011	Neufeglise	
D659,041 S	5/2012	Burke et al.	
8,265,320 B2	9/2012	Datz et al.	

D736,433 S *	8/2015	Kuei-Lai	D26/28
D740,471 S *	10/2015	Yu	D26/28
D748,600 S	2/2016	Deyaf	
D788,955 S *	6/2017	Yu	D26/28
D797,364 S *	9/2017	Deyaf	D26/120
D825,368 S *	8/2018	Kuo	D10/114.1
D828,199 S *	9/2018	Liu	D10/114.1
D852,774 S	7/2019	Yoshihisa	
D873,164 S *	1/2020	Goltche	D10/114.1
D873,691 S *	1/2020	Goltche	D10/114.1
D875,974 S *	2/2020	Chen	D26/28
D882,442 S *	4/2020	Tomney	D10/114.1
D890,373 S *	7/2020	Chen	D26/28

* cited by examiner

Primary Examiner — George D. Kirschbaum

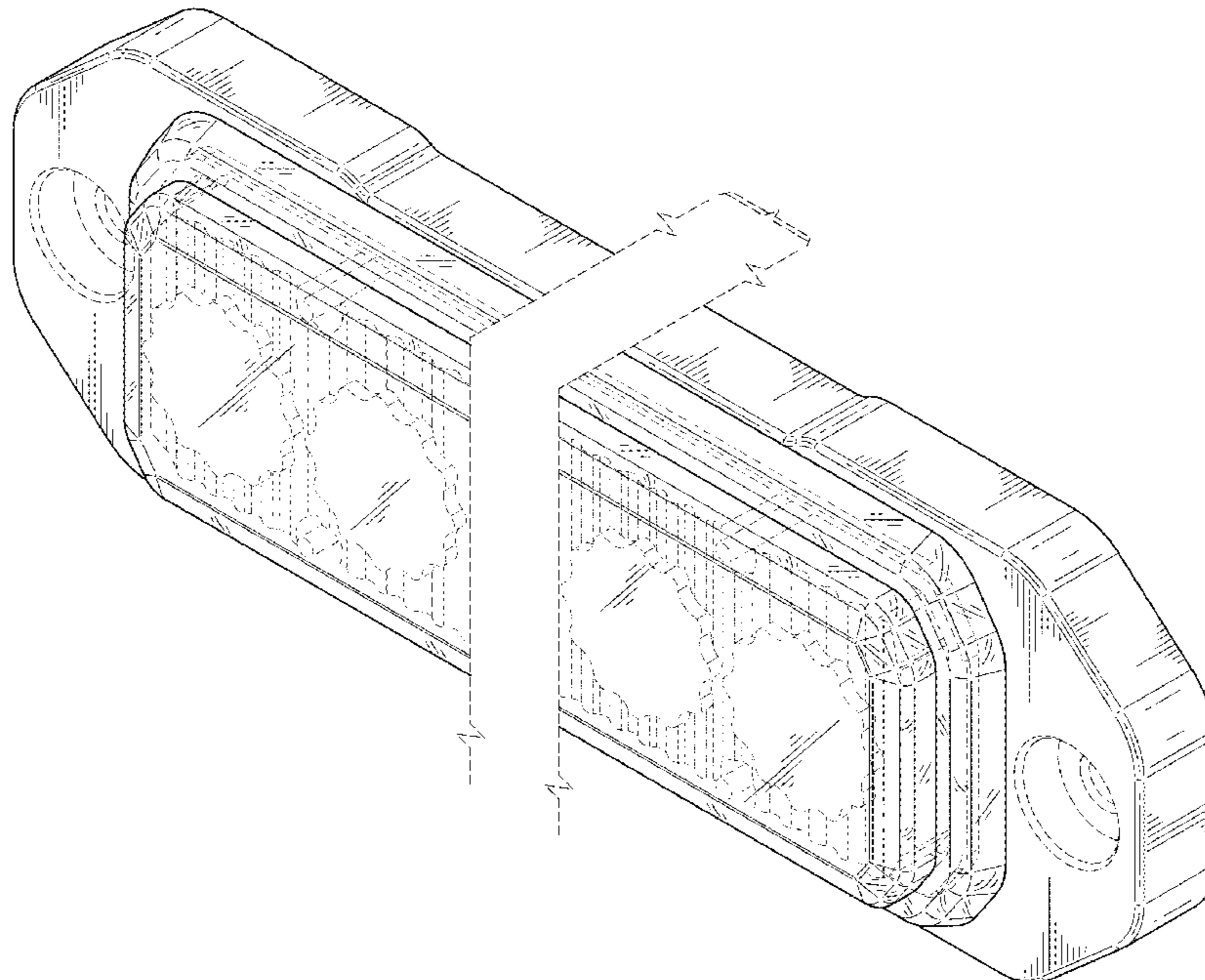
(57) **CLAIM**

The ornamental design for a surface mount warning light, as shown and as described.

DESCRIPTION

FIG. 1 is a front perspective view of a surface mount warning light showing our new design; FIG. 2 is a front view thereof; FIG. 3 is a back view thereof; FIG. 4 is a right side view thereof; FIG. 5 is a left side view thereof; FIG. 6 is a top view thereof; and, FIG. 7 is a bottom view thereof. The broken lines included illustrate portions of the surface mount warning light that form no part of the claimed design. The cutaway symbols illustrated in broken lines in the drawings indicate a symbolic break in the length of the design for the surface mount warning light indicating an indeterminate length.

1 Claim, 5 Drawing Sheets



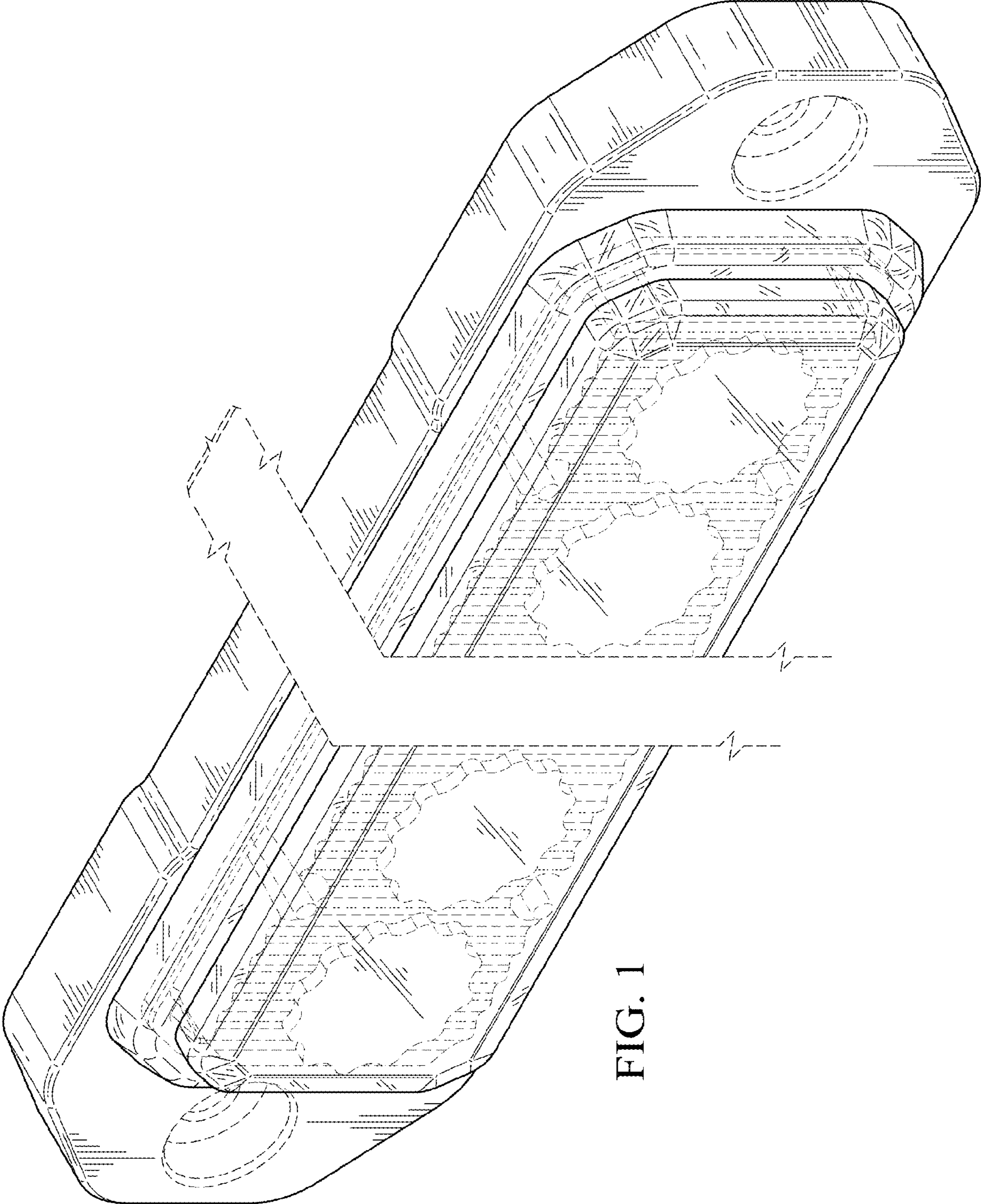


FIG. 1

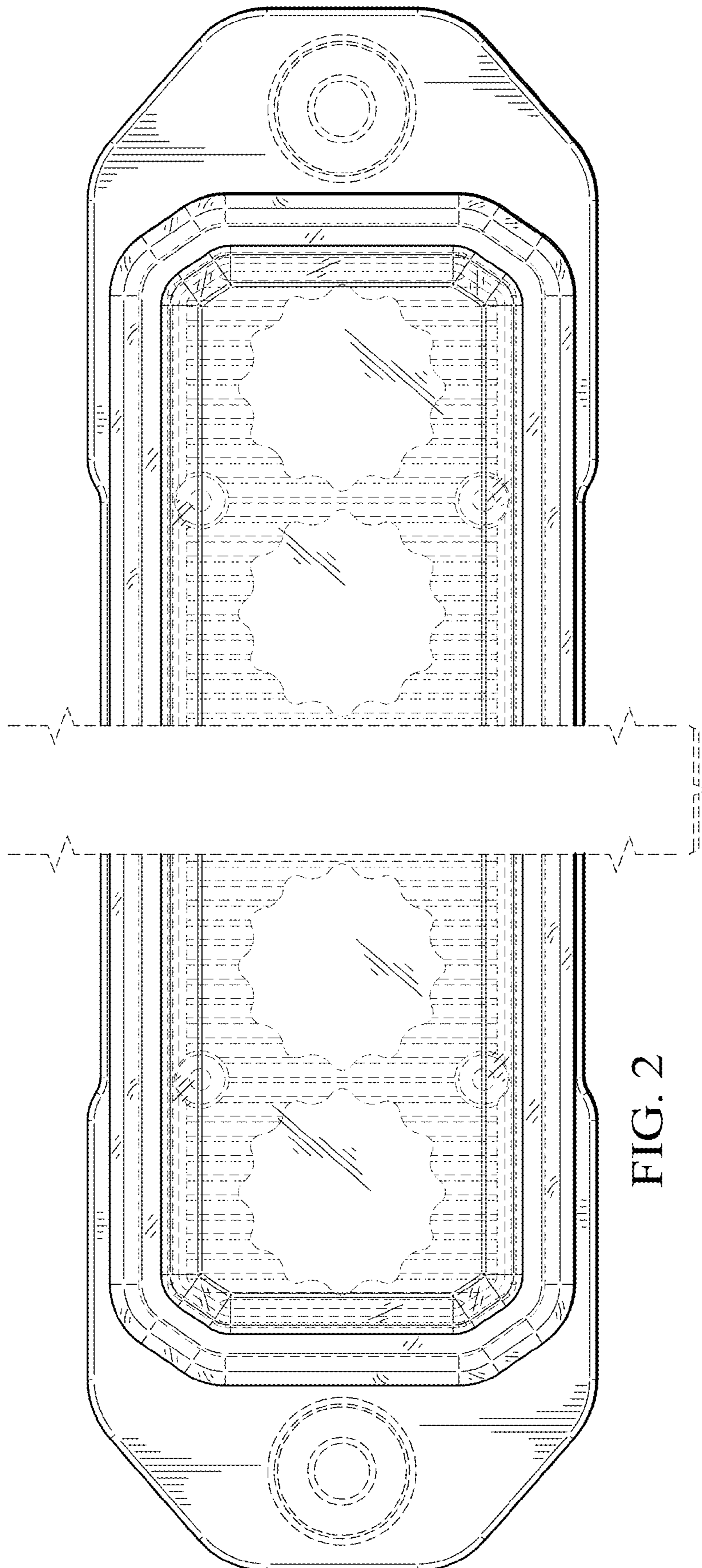


FIG. 2

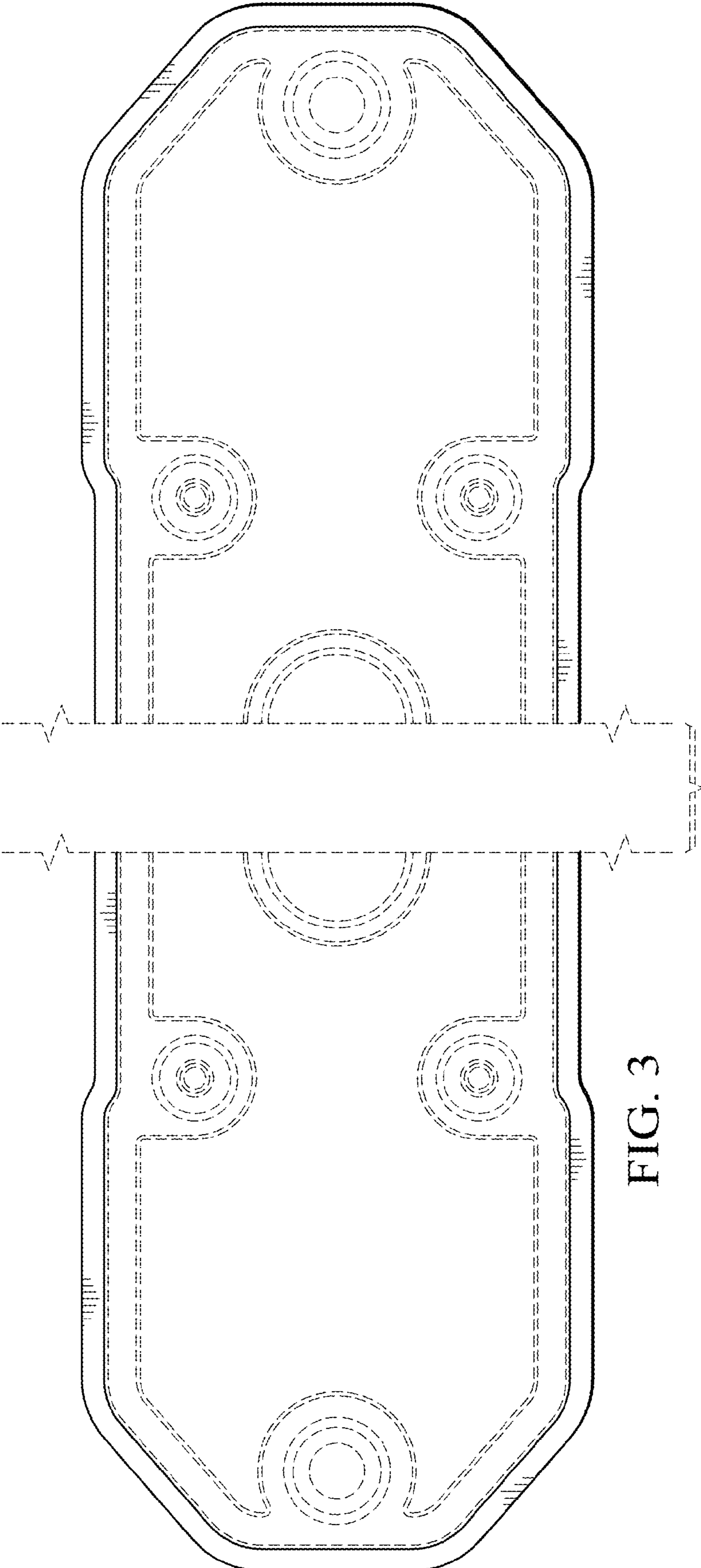


FIG. 3

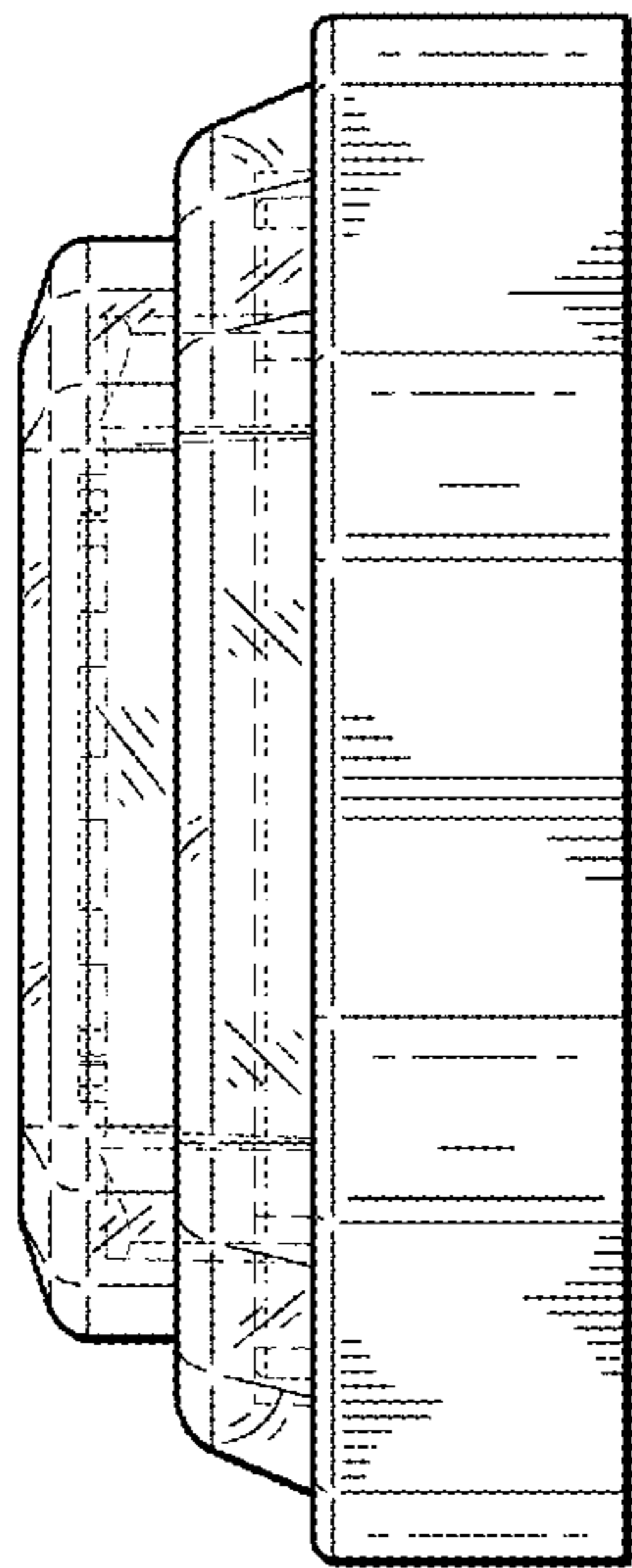


FIG. 4

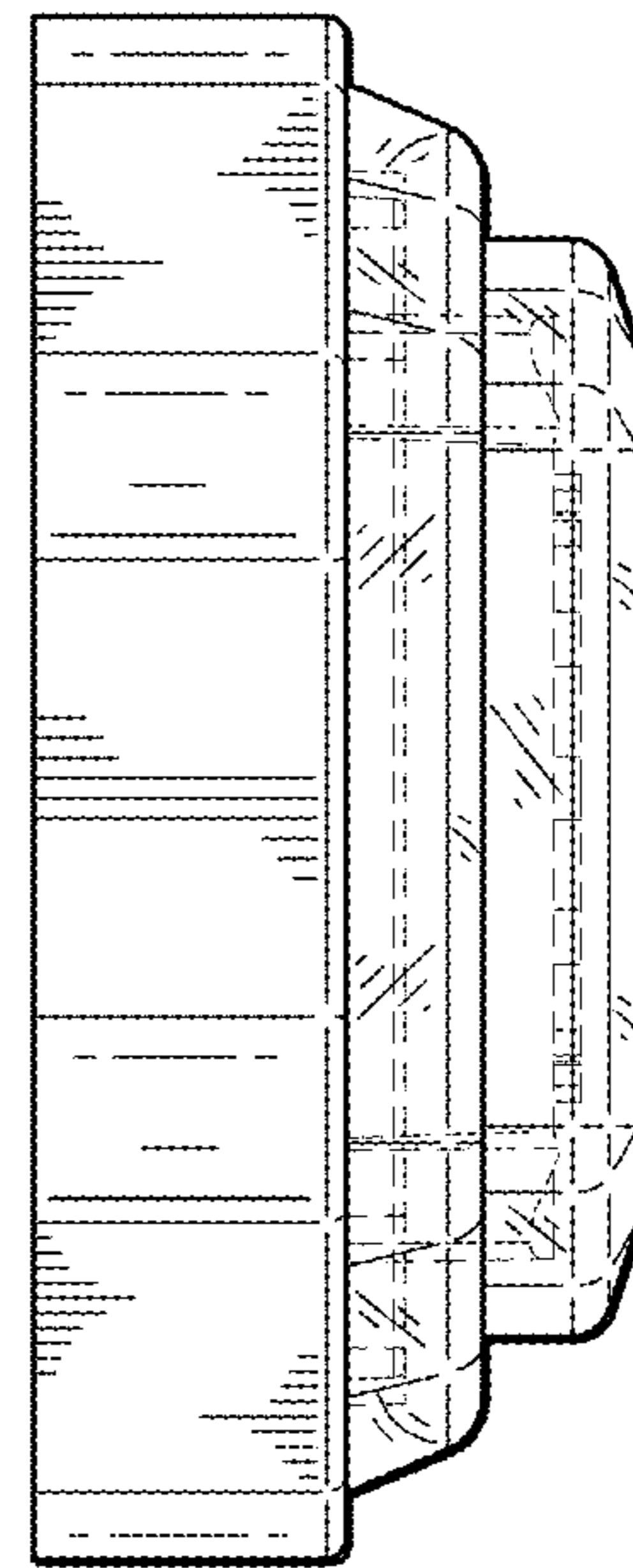


FIG. 5

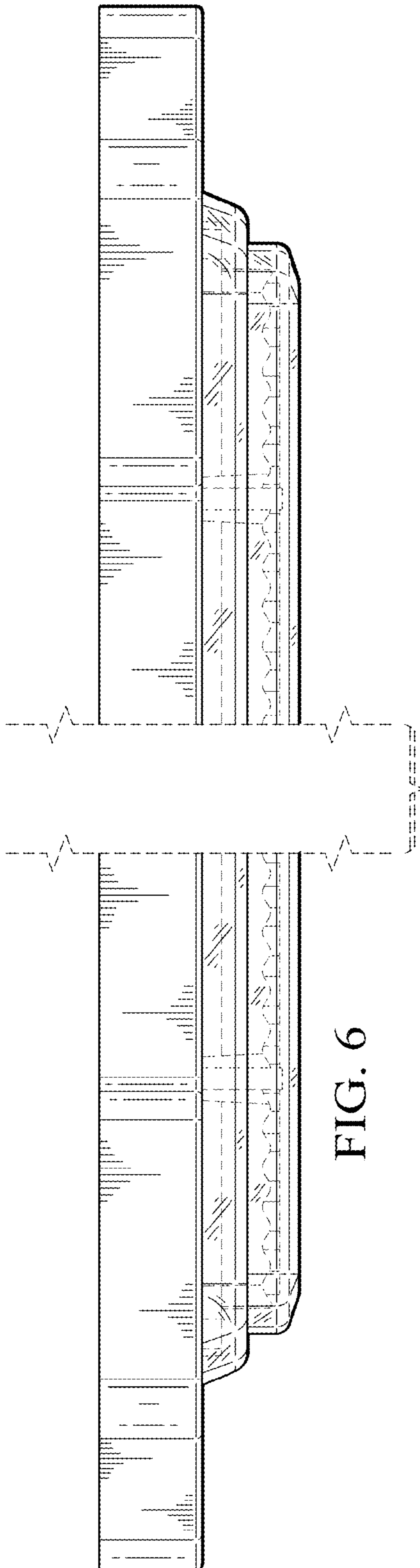


FIG. 6

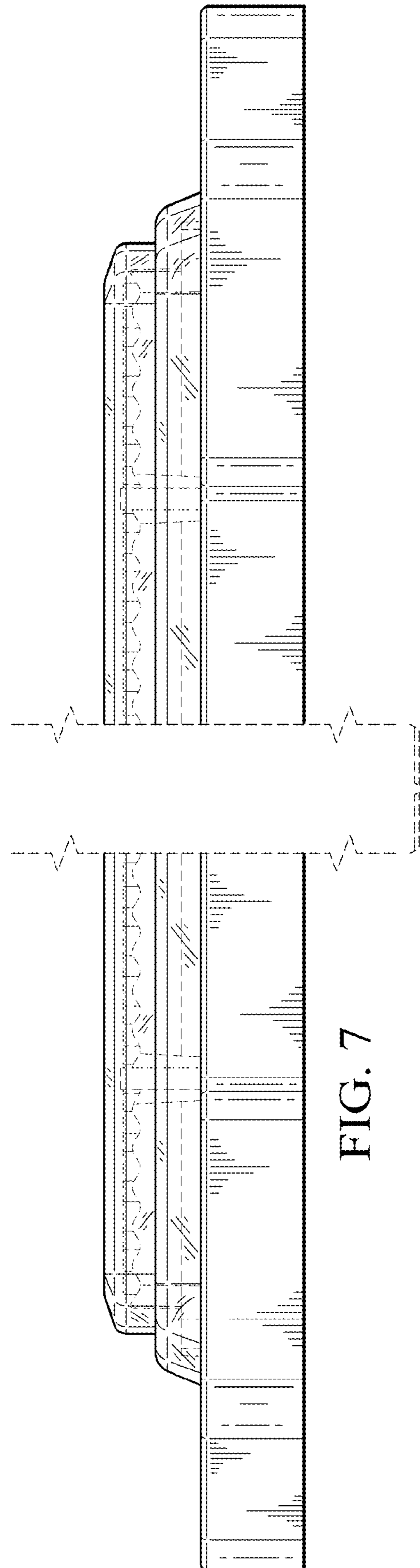


FIG. 7