



US00D915918S

(12) **United States Design Patent**
Miller et al.

(10) **Patent No.:** **US D915,918 S**
(45) **Date of Patent:** **** *Apr. 13, 2021**

(54) **SECURITY TAG WITH RETRACTABLE PIN**

(74) *Attorney, Agent, or Firm* — Arent Fox LLP

(71) Applicant: **SENSORMATIC ELECTRONICS, LLC.**, Boca Raton, FL (US)

(57) **CLAIM**

The ornamental design for a security tag with retractable pin, as shown and described.

(72) Inventors: **Channing Everett Miller**, Fort Lauderdale, FL (US); **Sergio M. Perez**, Boca Raton, FL (US)

DESCRIPTION

(73) Assignee: **SENSORMATIC ELECTRONICS, LLC**, Boca Raton, FL (US)

FIG. 1 is a perspective view taken from the front and right sides showing the new design in an unlocked configuration, in which a movable locking button is in an undepressed position;

(*) Notice: This patent is subject to a terminal disclaimer.

FIG. 2 is a perspective view of the design and configuration shown in FIG. 1 taken from the front and left sides;

(**) Term: **15 Years**

FIG. 3 is a right side elevation view of the design and configuration shown in FIG. 1;

(21) Appl. No.: **29/639,063**

FIG. 4 is a left side elevation view of the design and configuration shown in FIG. 1;

(22) Filed: **Mar. 2, 2018**

FIG. 5 is a front end view of the design and configuration shown in FIG. 1;

(51) **LOC (13) Cl.** **10-05**

FIG. 6 is a rear end view of the design and configuration shown in FIG. 1;

(52) **U.S. Cl.**

USPC **D10/106.91**

FIG. 7 is a top plan view of the design and configuration shown in FIG. 1;

(58) **Field of Classification Search**

USPC D10/104.1, 106.9, 106.91, 106.93, 109.1; 70/57.1; D14/140, 142, 240, 217, 218,

FIG. 8 is a bottom plan view of the design and configuration shown in FIG. 1;

(Continued)

FIG. 9 is a perspective view of the design and configuration shown in FIG. 1 taken from the rear and left sides;

(56) **References Cited**

U.S. PATENT DOCUMENTS

D343,135 S * 1/1994 Witzky D10/106.91
D427,929 S * 7/2000 Sayegh D10/104.1

(Continued)

FIG. 10 is a perspective view of the design and configuration shown in FIG. 1 taken from the rear and right sides;

OTHER PUBLICATIONS

“New! Sensormatic InFuzion Tags” available Dec. 5, 2018, [online], [site visited May 15, 2019]. Retrieved from Internet, <URL:https://vimeo.com/304707722> (Year: 2018).*

(Continued)

FIG. 11 is a perspective view taken from the front and right sides showing the new design in an locked configuration, in which the movable locking button is in a depressed position causing a locking pin (not visible in FIG. 11) to extend into a recess;

Primary Examiner — Michael C Stout
Assistant Examiner — Katrina N Gonzalez

FIG. 12 is a perspective view of the design and configuration shown in FIG. 1 taken from the front and left sides;

FIG. 13 is a right side elevation view of the design and configuration shown in FIG. 11;

FIG. 14 is a left side elevation view of the design and configuration shown in FIG. 11;

FIG. 15 is a front end view of the design and configuration shown in FIG. 11;

(Continued)

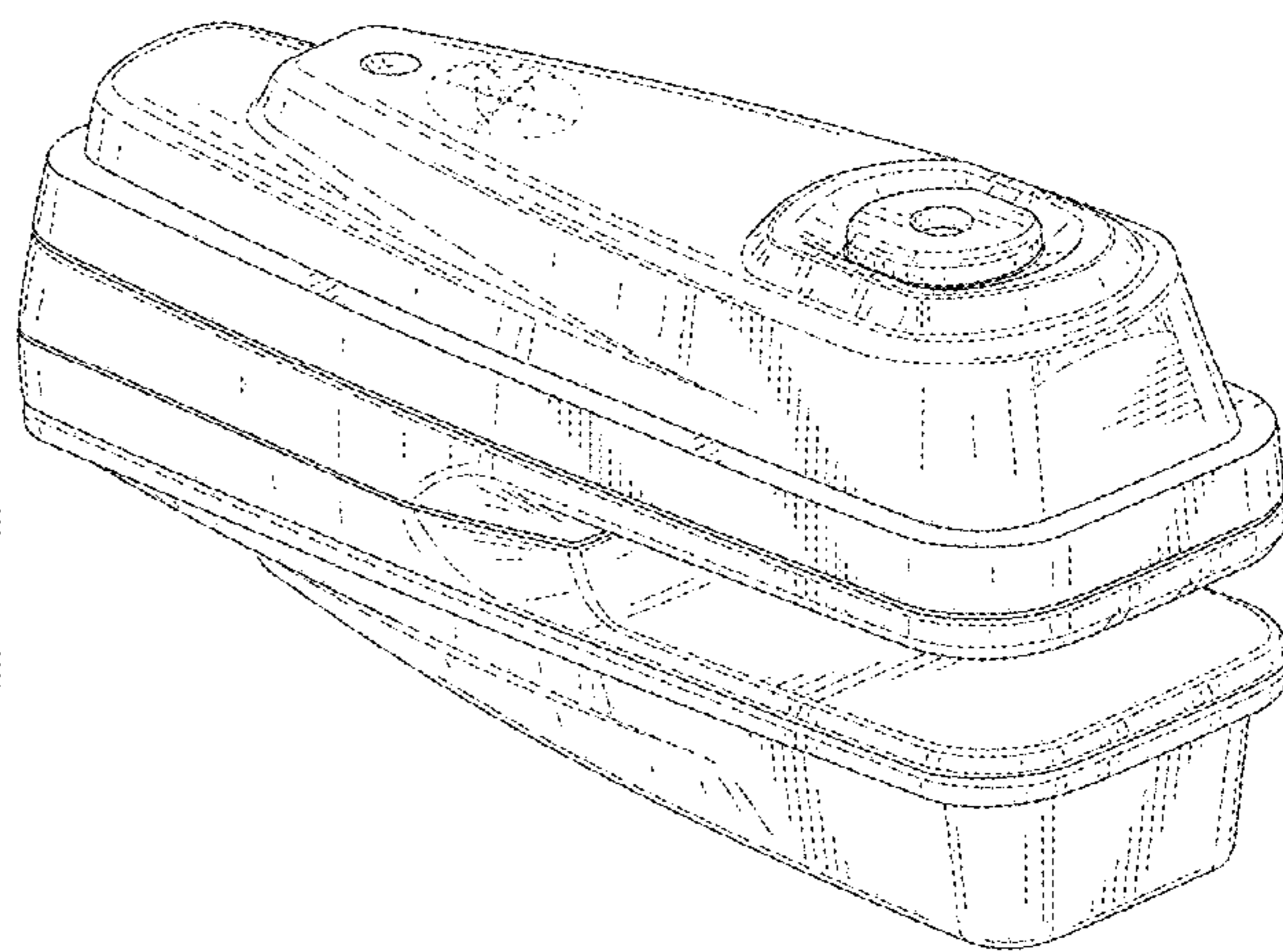
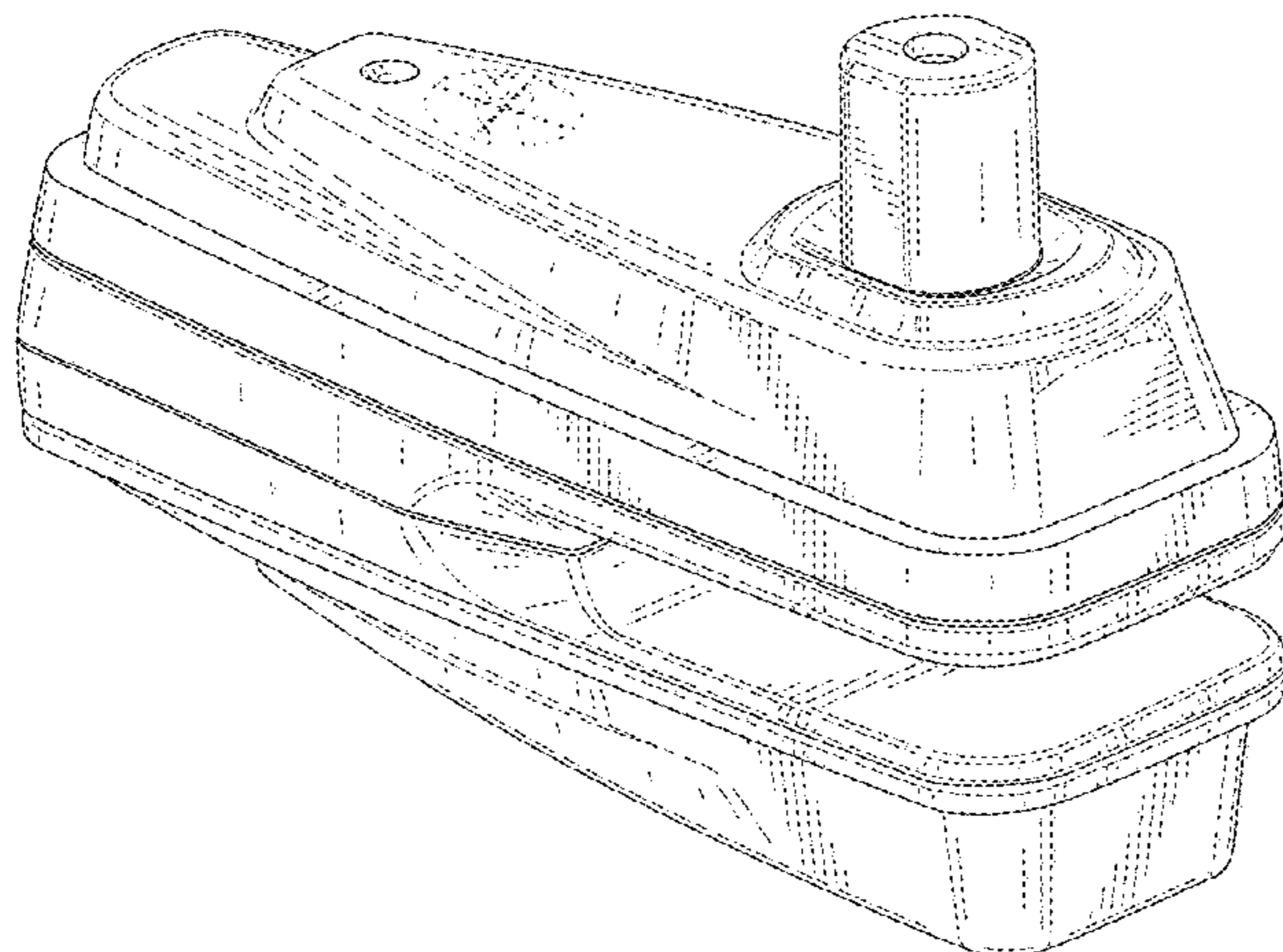


FIG. 16 is a rear end view of the design and configuration shown in FIG. 11;
 FIG. 17 is a top plan view of the design and configuration shown in FIG. 11;
 FIG. 18 is a bottom plan view of the design and configuration shown in FIG. 11;
 FIG. 19 is a perspective view of the design and configuration shown in FIG. 11 taken from the rear and left sides; and,
 FIG. 20 is a perspective view of the design and configuration shown in FIG. 11 taken from the rear and right sides.

1 Claim, 20 Drawing Sheets

(58) **Field of Classification Search**

USPC D14/155, 356, 357, 358, 359, 383, 385,
 D14/432, 435, 435.1, 447, 553, 480.1,
 D14/480.3, 480.5, 480.7, 483, 484.1;
 D3/208; D13/168; D8/347
 CPC H04W 4/80; H04W 4/029; H04W 12/08;
 H04W 4/025; H04W 12/0023; H04W
 12/02; H04W 12/04; H04W 12/06; H04W
 4/046; H04W 4/40; H04W 52/0229;
 H04W 88/02; H04W 12/00407; H04W
 12/12; H04W 40/244; H04W 48/12;
 H04W 48/16; H04W 4/00; H04W 4/023;
 H04W 4/026; H04W 4/027; H04W 4/04;
 H04W 4/06; H04W 4/18; H04W 4/21;
 H04W 4/24; H04W 4/30; H04W 4/33;
 H04W 4/35; H04W 4/44; H04W 4/70;
 H04W 64/00; H04W 64/006; H04W
 76/10; H04W 76/15; H04W 76/34; H04W
 84/042; H04W 84/047; H04W 84/12;
 H04W 84/18; H04W 88/06; H04W 8/26;
 H04W 92/20; H03D 9/02

See application file for complete search history.

(56)

References Cited

U.S. PATENT DOCUMENTS

6,449,991	B1 *	9/2002	Hogan	E05B 73/0017 24/600.7
D466,426	S *	12/2002	Proulx	D10/106.91
D492,214	S *	6/2004	Sayegh	D10/106.91
D559,720	S *	1/2008	Raymond	D10/106.91
D569,288	S *	5/2008	Raymond	D10/104.1
D605,066	S *	12/2009	Raymond	D10/106.91
D609,125	S *	2/2010	Perez	D10/106.9
D625,637	S *	10/2010	Sayegh	D10/106.91
D679,209	S *	4/2013	Reynolds	D10/106.91
D686,099	S *	7/2013	Sayegh	D10/106.93
D696,150	S *	12/2013	Wu	D10/106.9
D696,151	S *	12/2013	Wu	D10/106.91
D696,599	S *	12/2013	Luo	D10/106.9
D696,600	S *	12/2013	Wu	D10/106.9
D698,273	S *	1/2014	Sayegh	D10/106.91
8,683,830	B2 *	4/2014	Conti	E05B 73/0017 206/1.5
D705,686	S *	5/2014	Wu	D10/106.91
D706,153	S *	6/2014	Sayegh	D10/106.91
D709,398	S *	7/2014	Leyden	D10/106.9
D714,176	S *	9/2014	Perez	D10/106.91
D714,670	S *	10/2014	Wu	D10/106.9
D742,772	S *	11/2015	Yang	D10/106.9
9,734,683	B1	8/2017	Perez		
2006/0254326	A1 *	11/2006	Lax	E05B 73/0058 70/57.1
2013/0340489	A1 *	12/2013	Kozlowski, Jr.	E05B 73/0017 70/57.1

OTHER PUBLICATIONS

“Tyco Retail Solutions launches the new EAS InFuzion label” available Jun. 18, 2018, [online], [site visited May 15, 2019]. Retrieved from Internet, <URL:https://tpvnews.es/hardware/dispositivos/tyco-retail-solutions-lanza-la-nueva-etiqueta-eas-infuzion-201806189243.htm> (Year: 2018).*

* cited by examiner

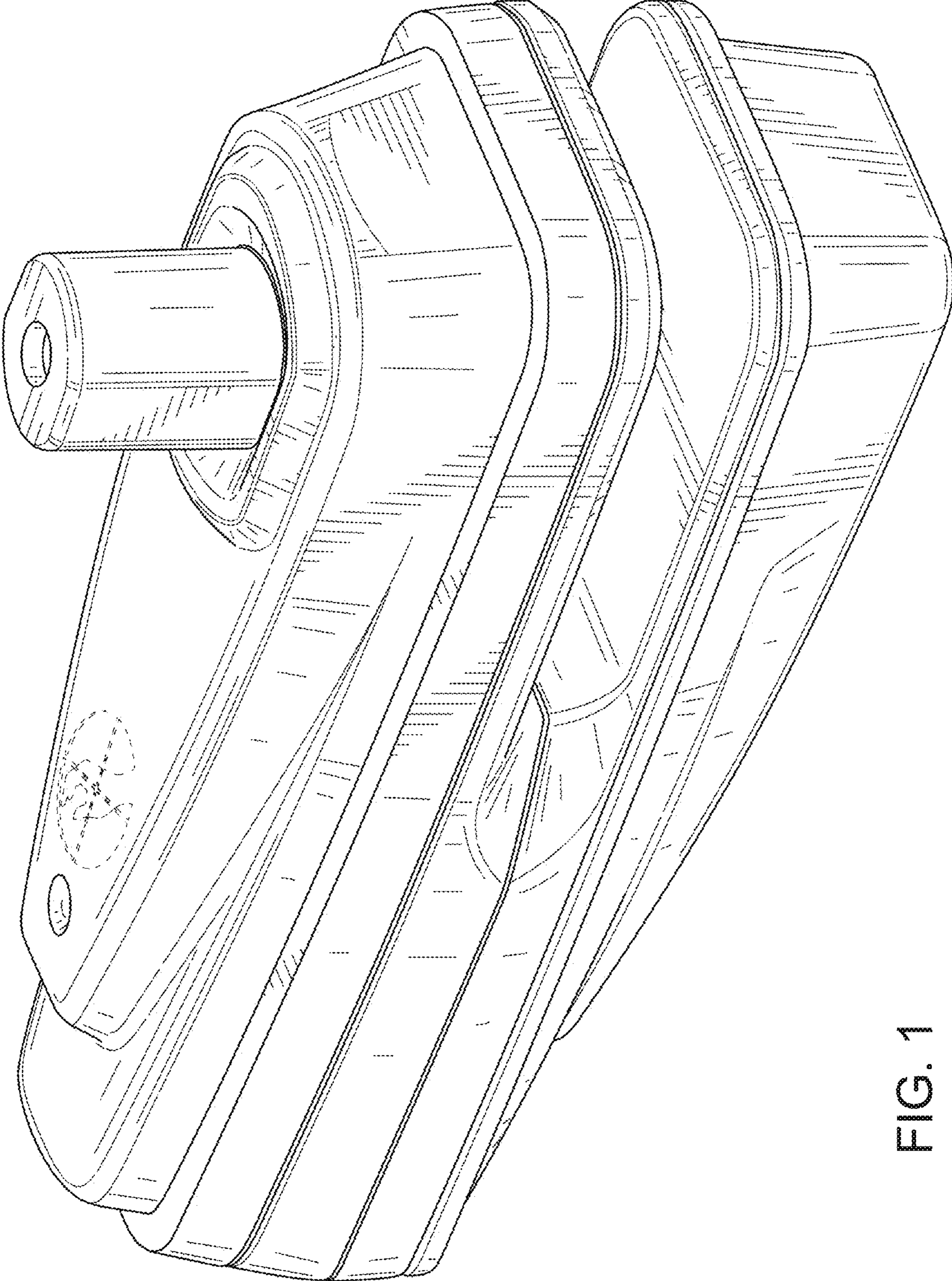


FIG. 1

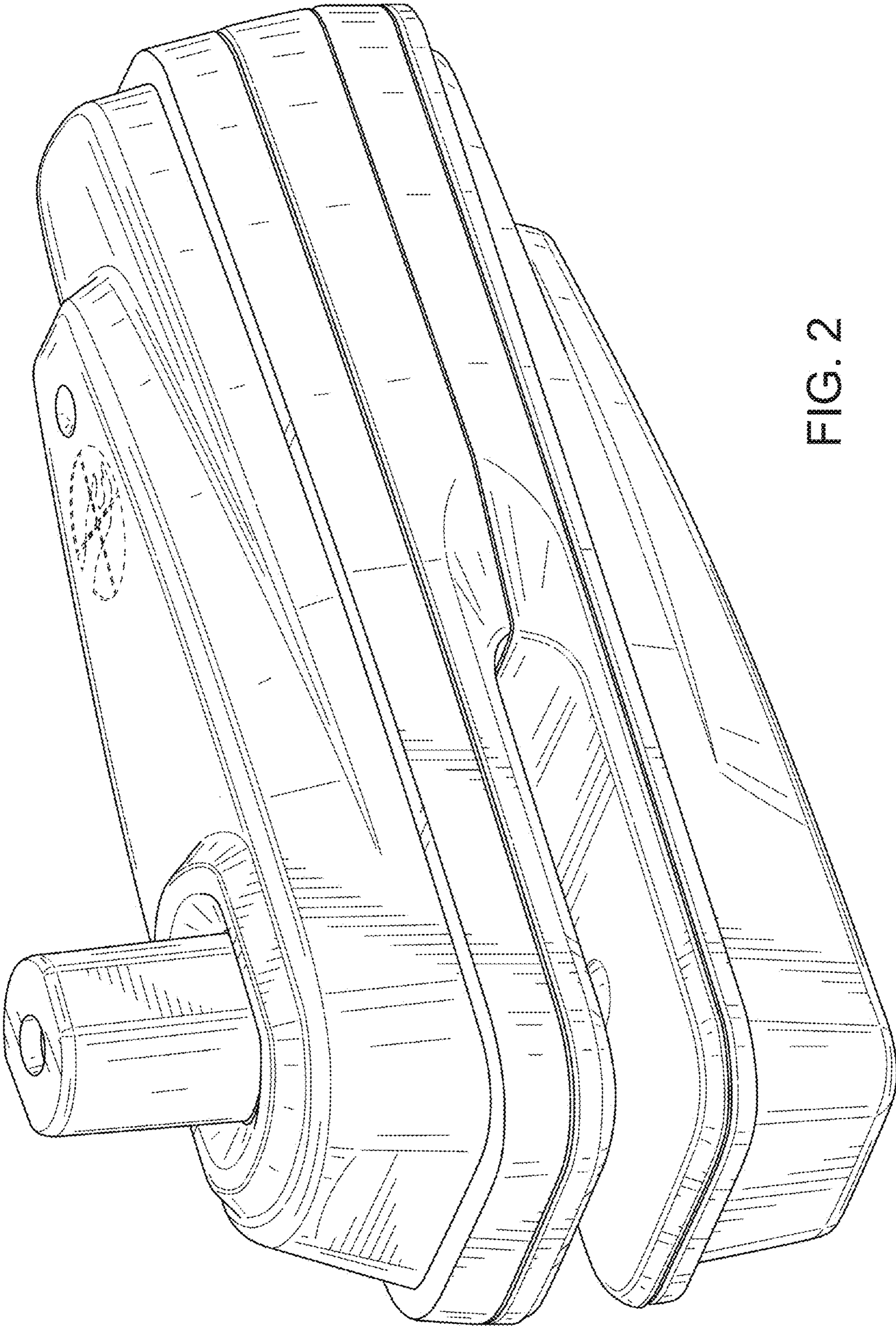


FIG. 2

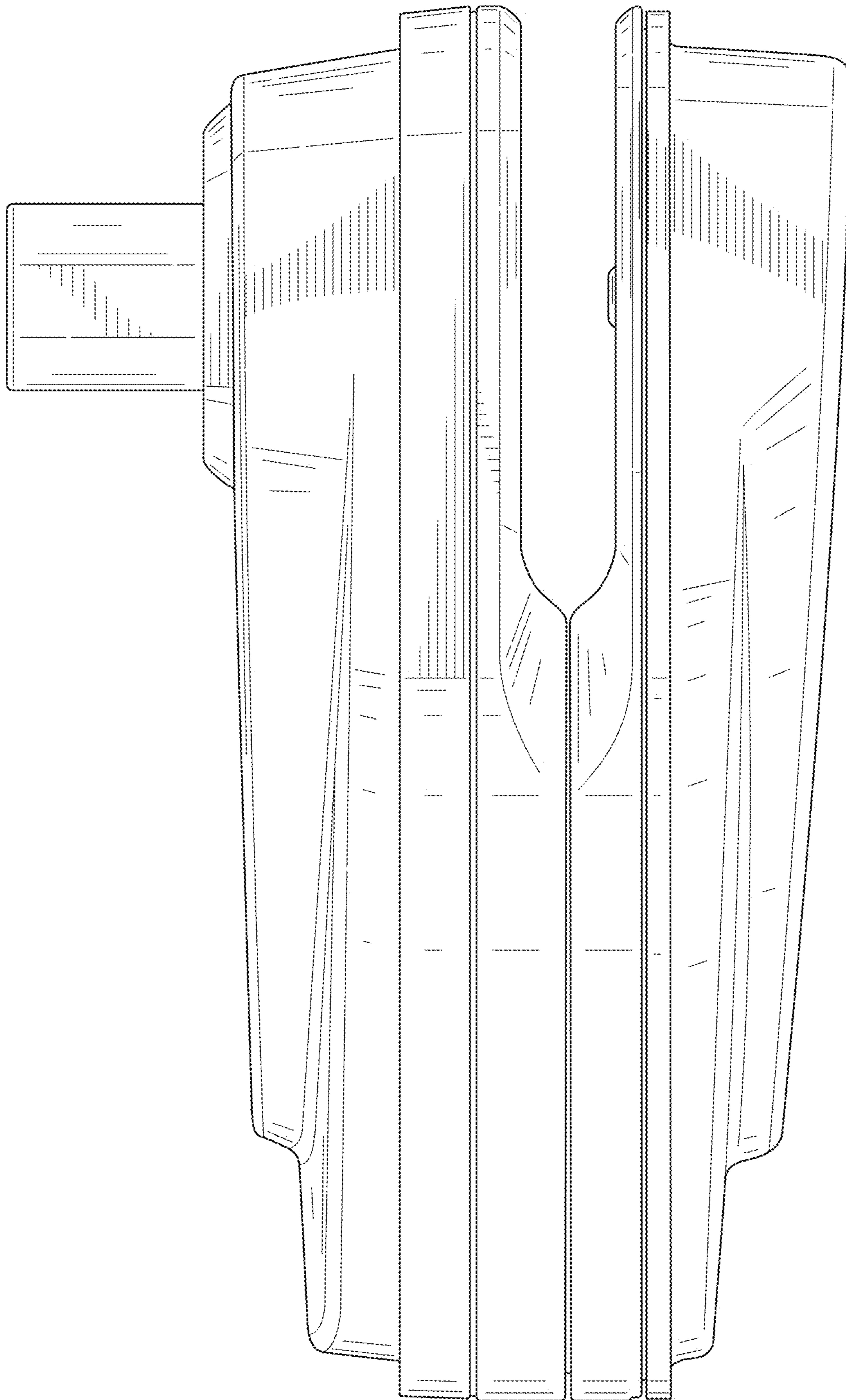


FIG. 3

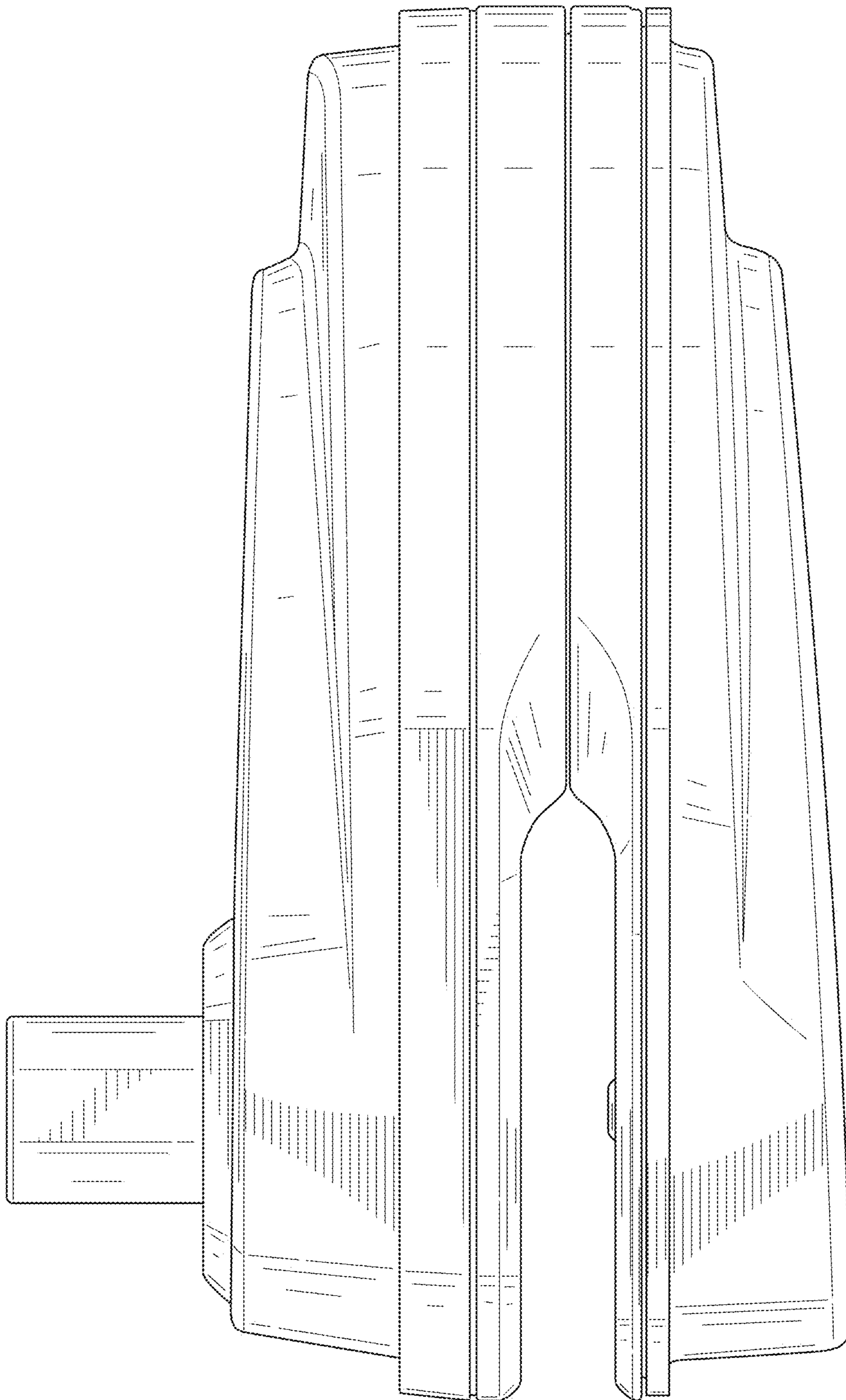


FIG. 4

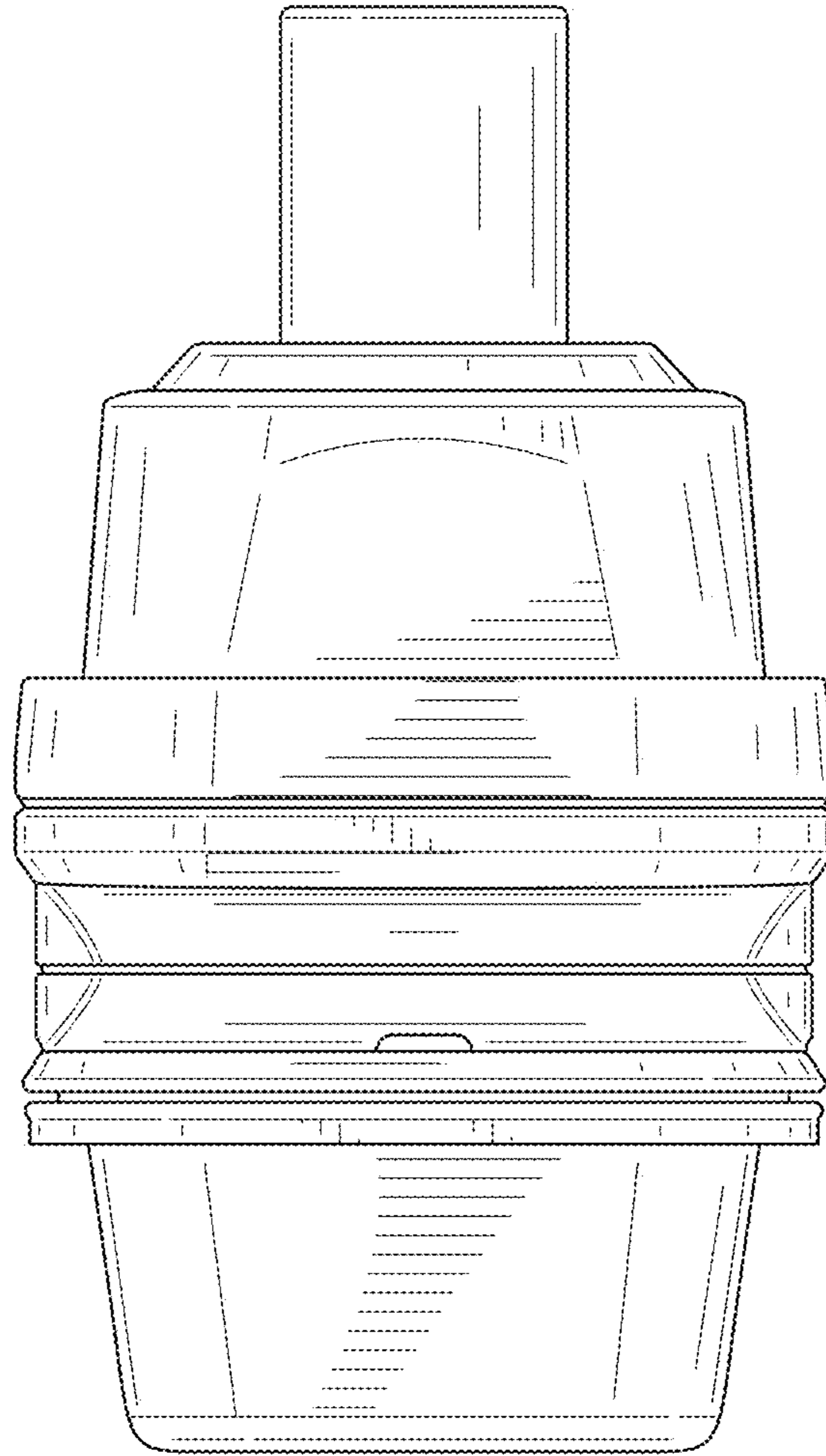


FIG. 5

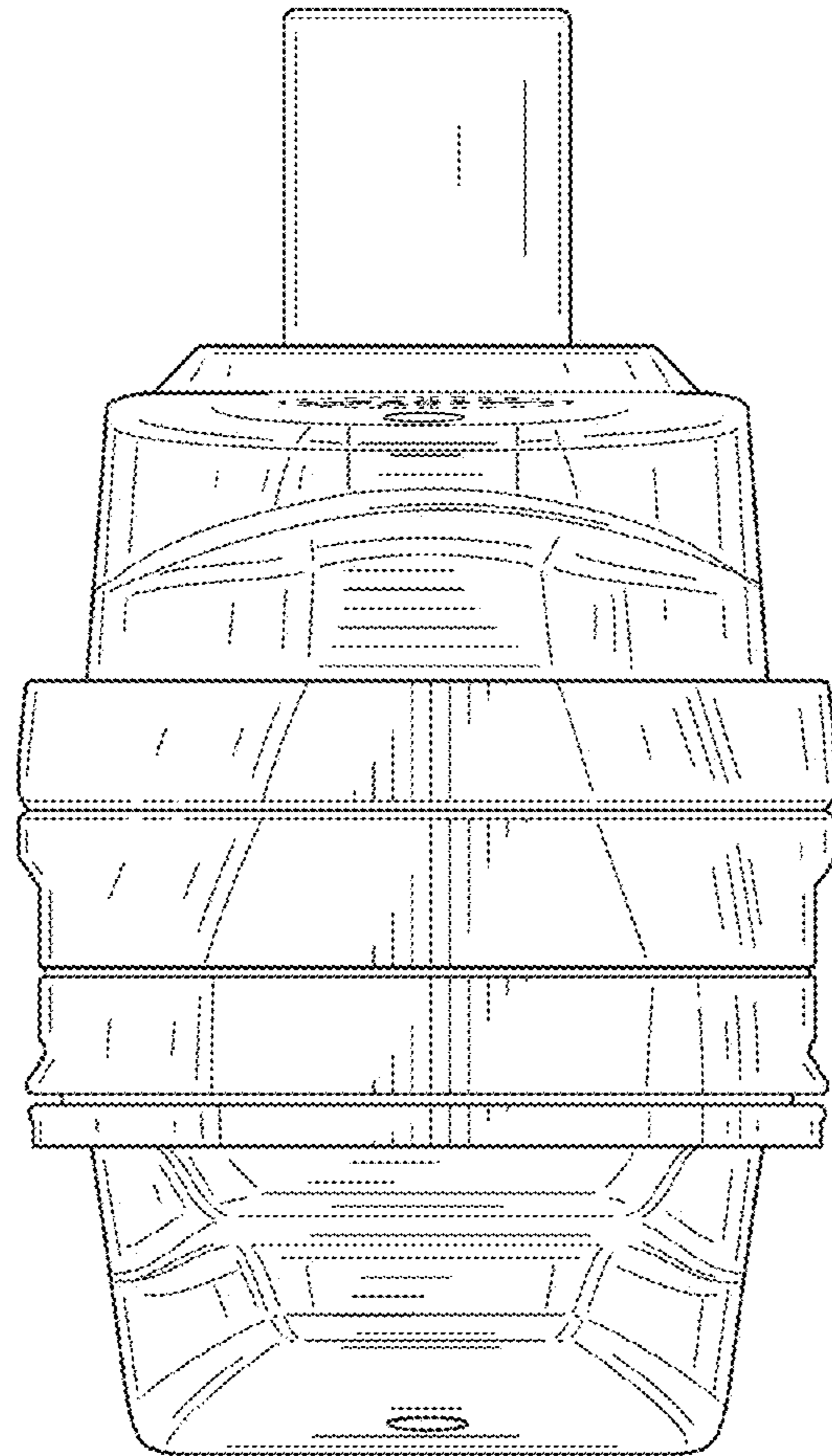


FIG. 6

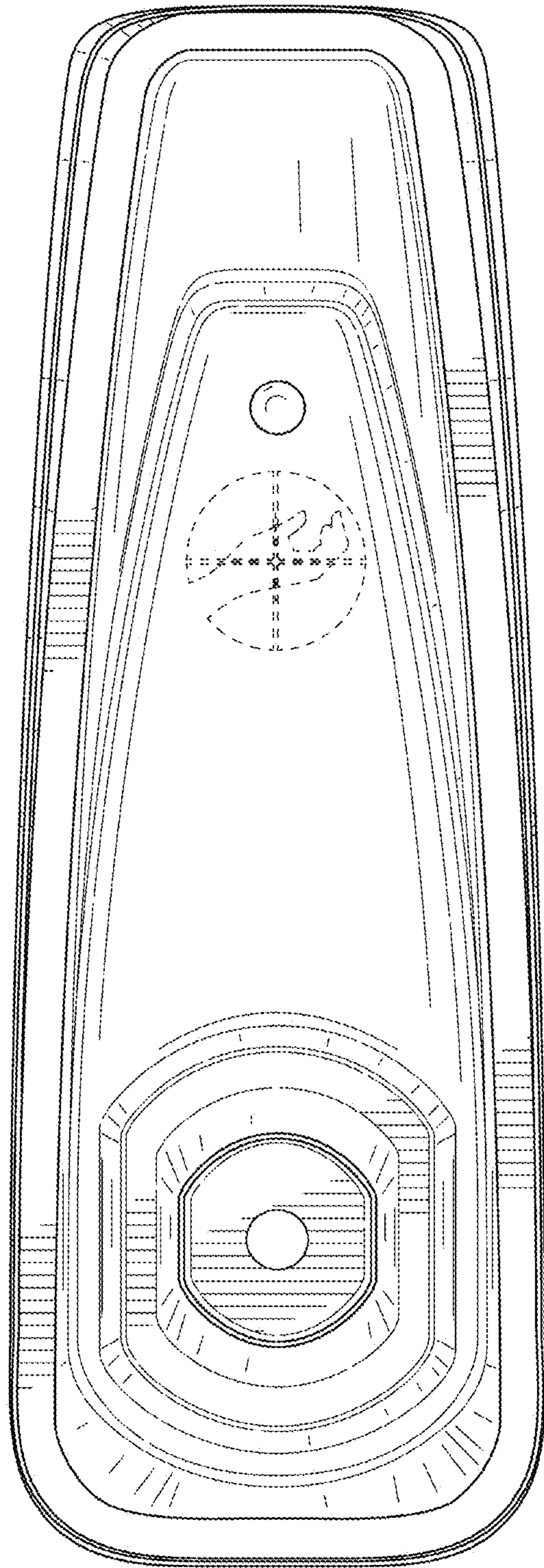


FIG. 7

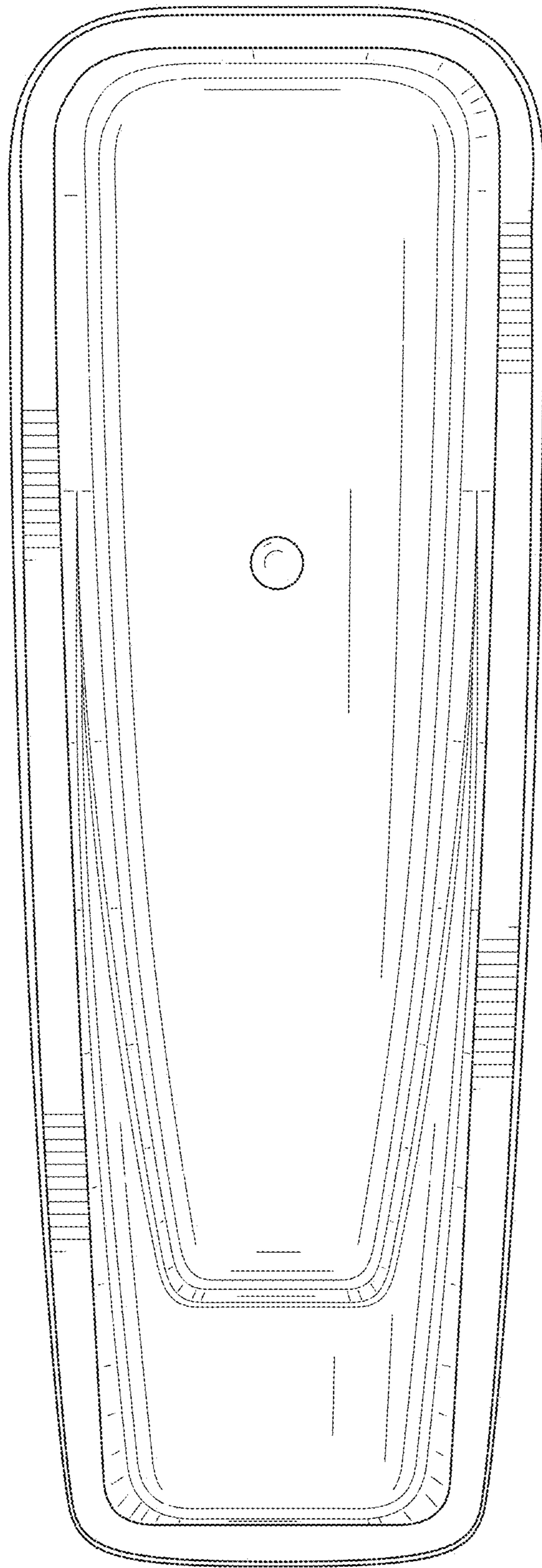


FIG. 8

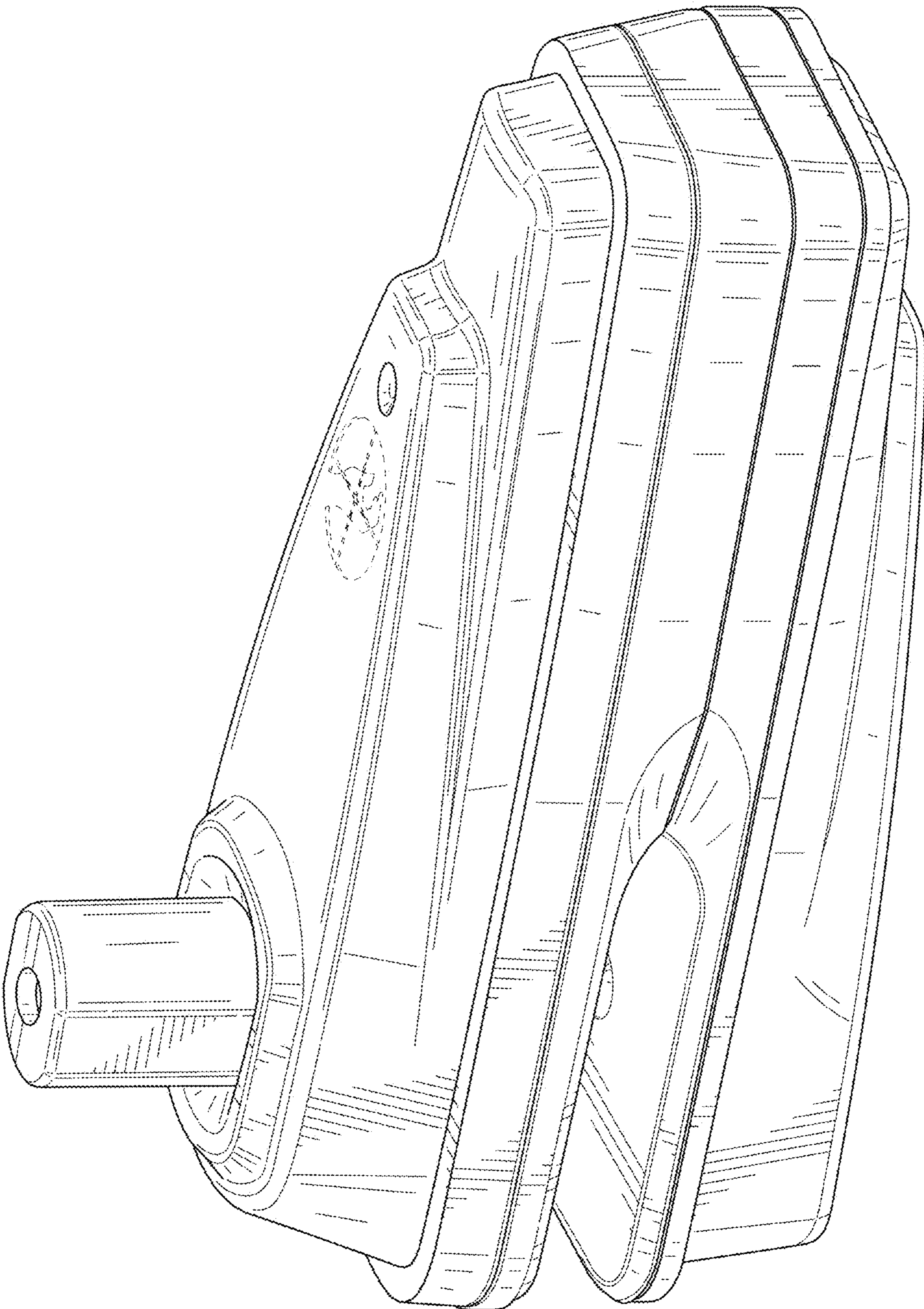


FIG. 9

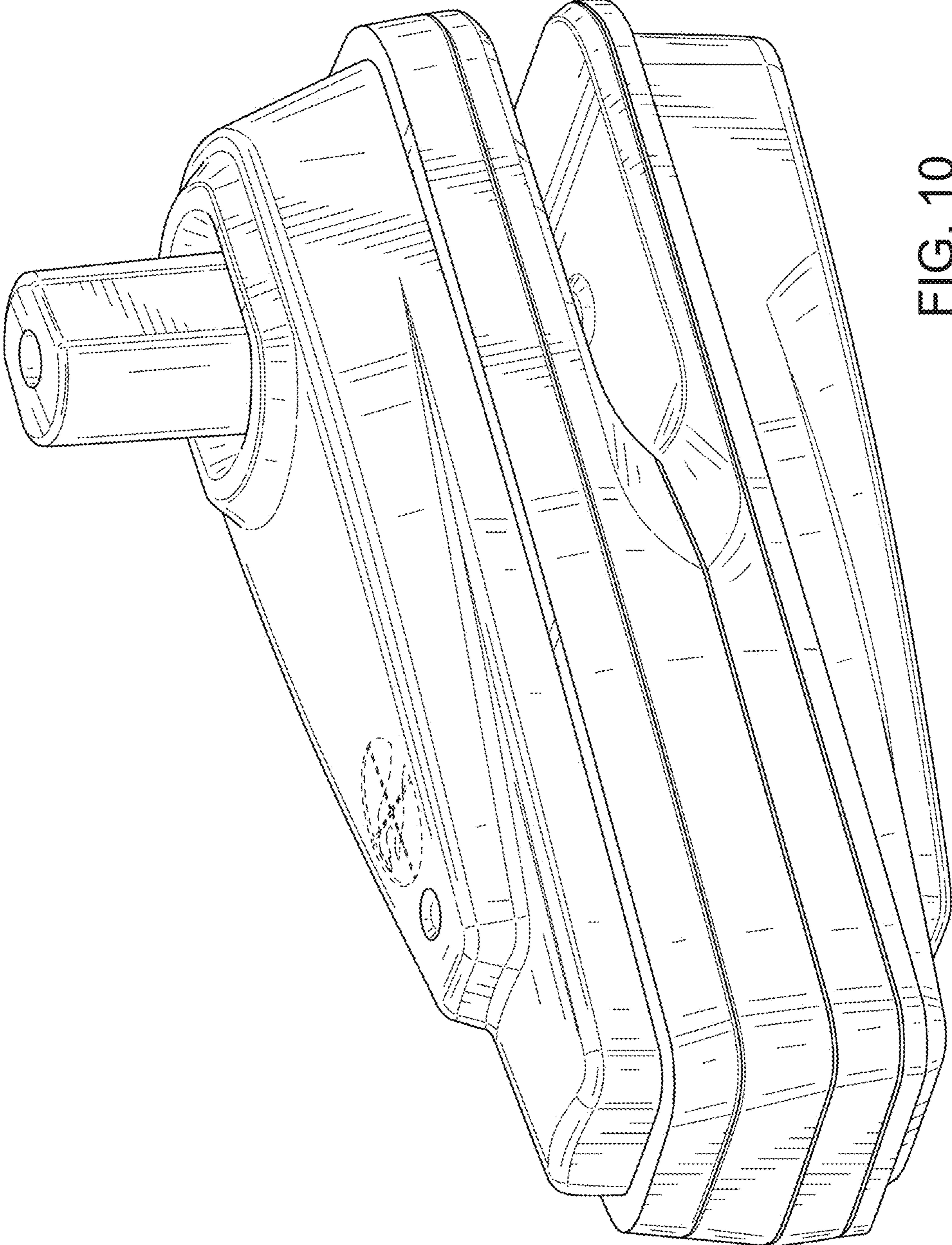


FIG. 10

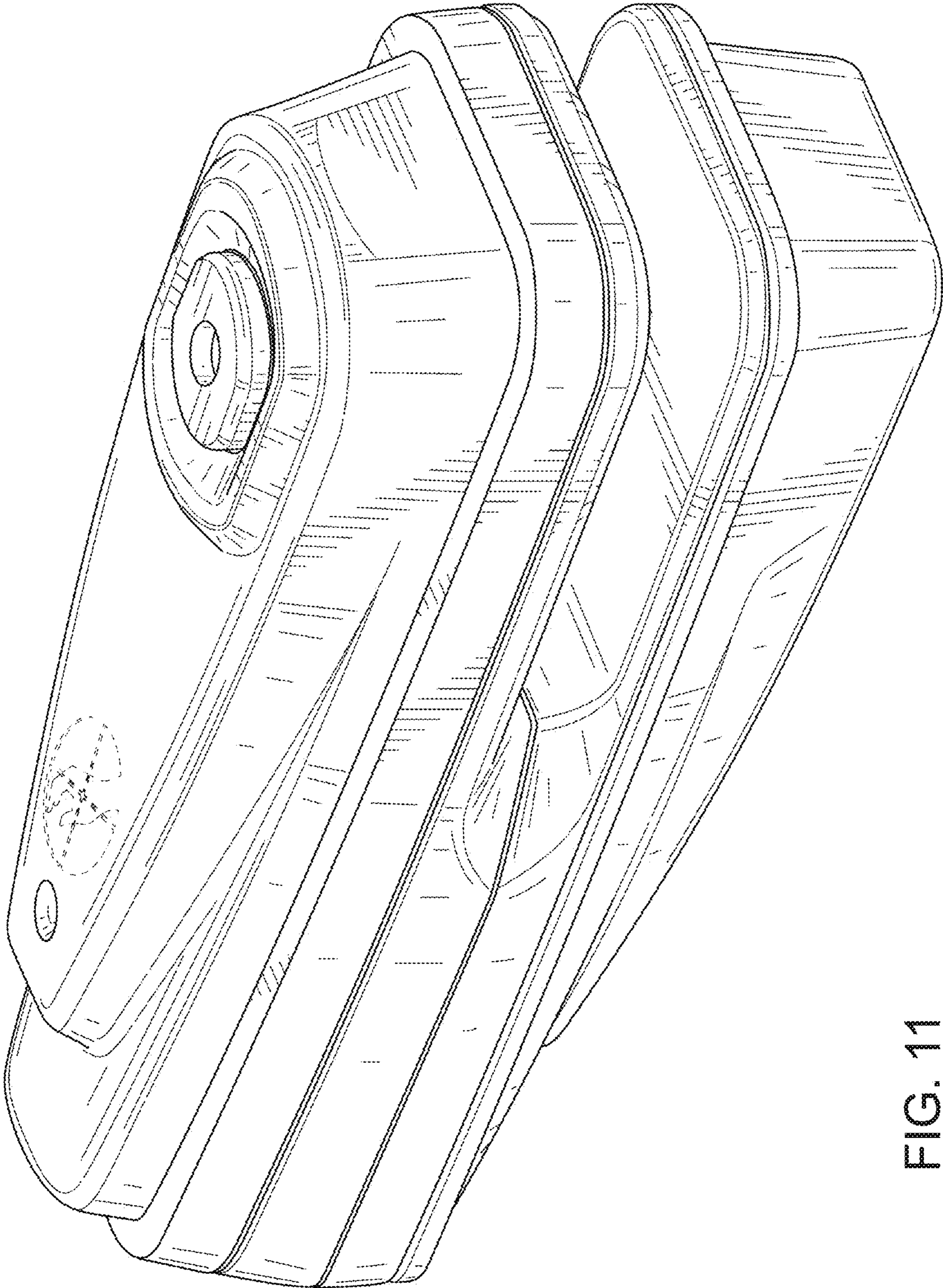


FIG. 11

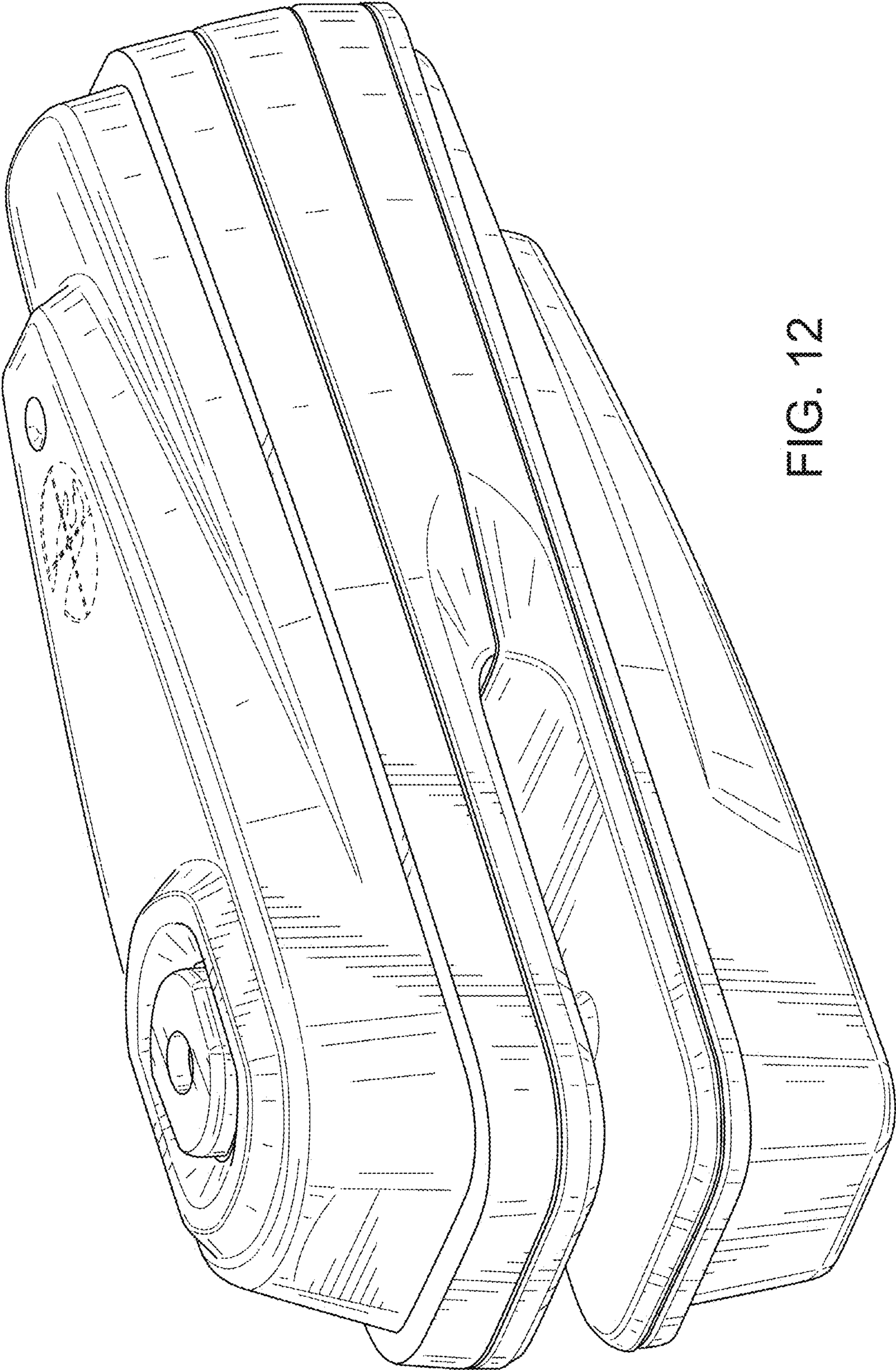


FIG. 12

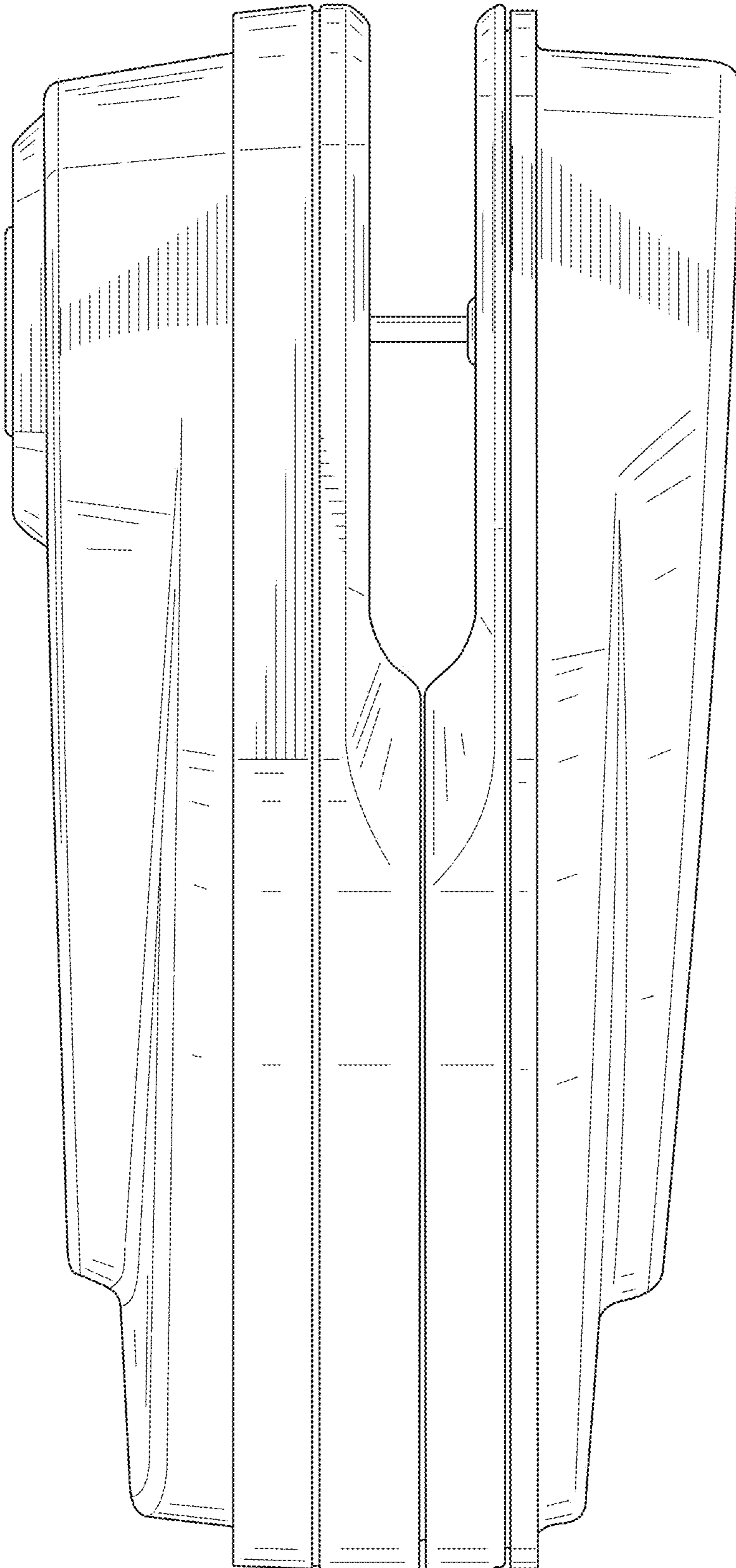


FIG. 13

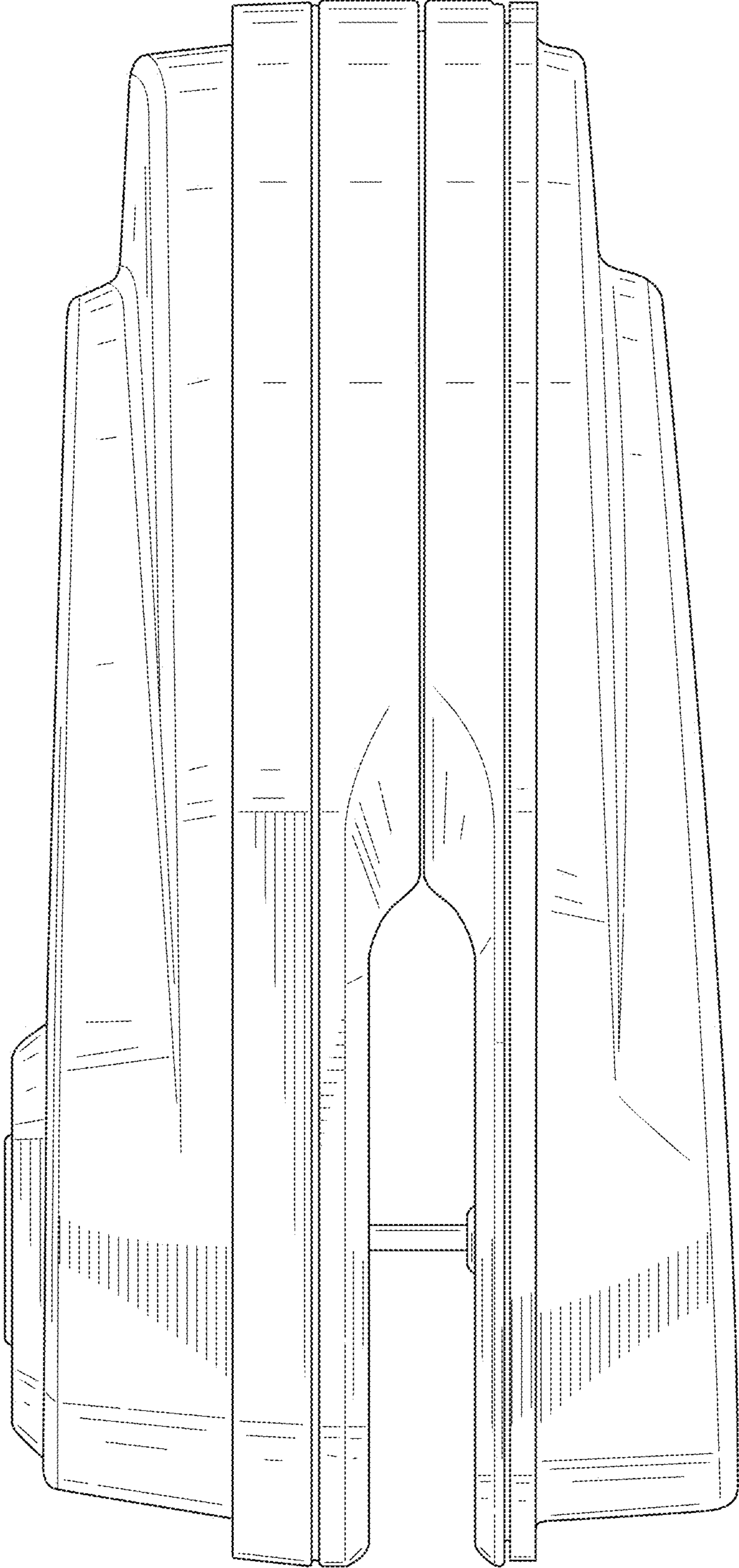


FIG. 14

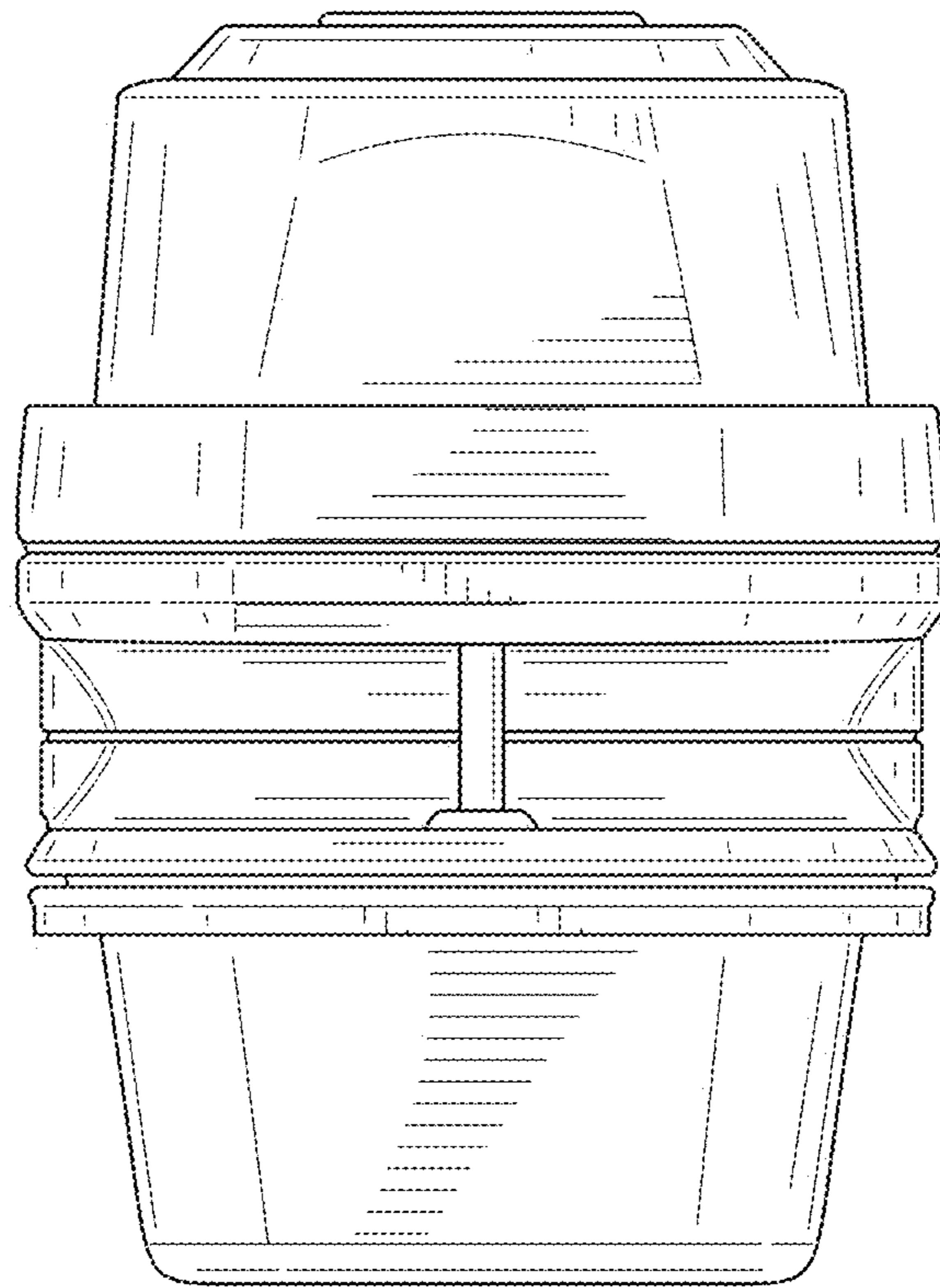


FIG. 15

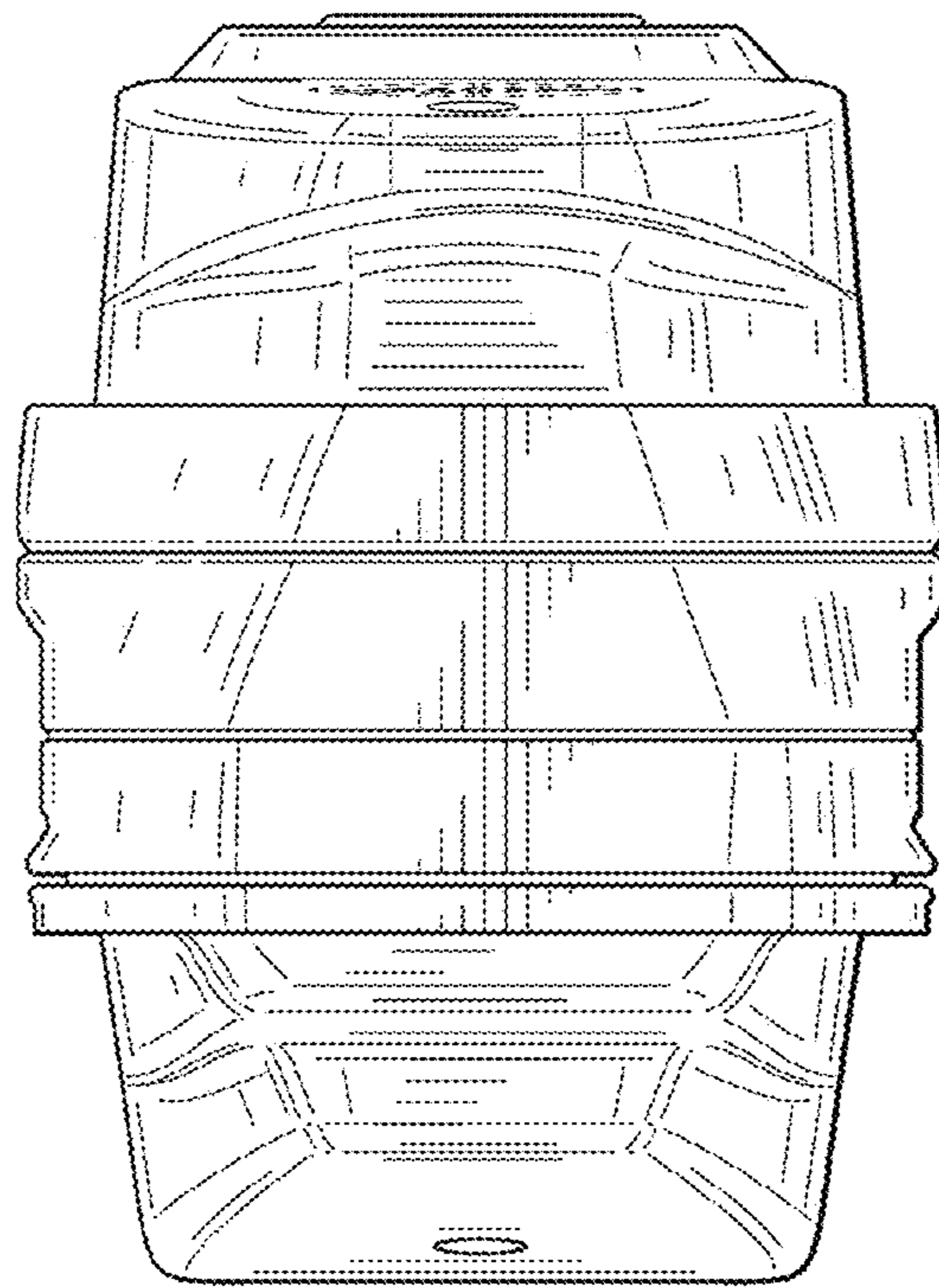


FIG. 16

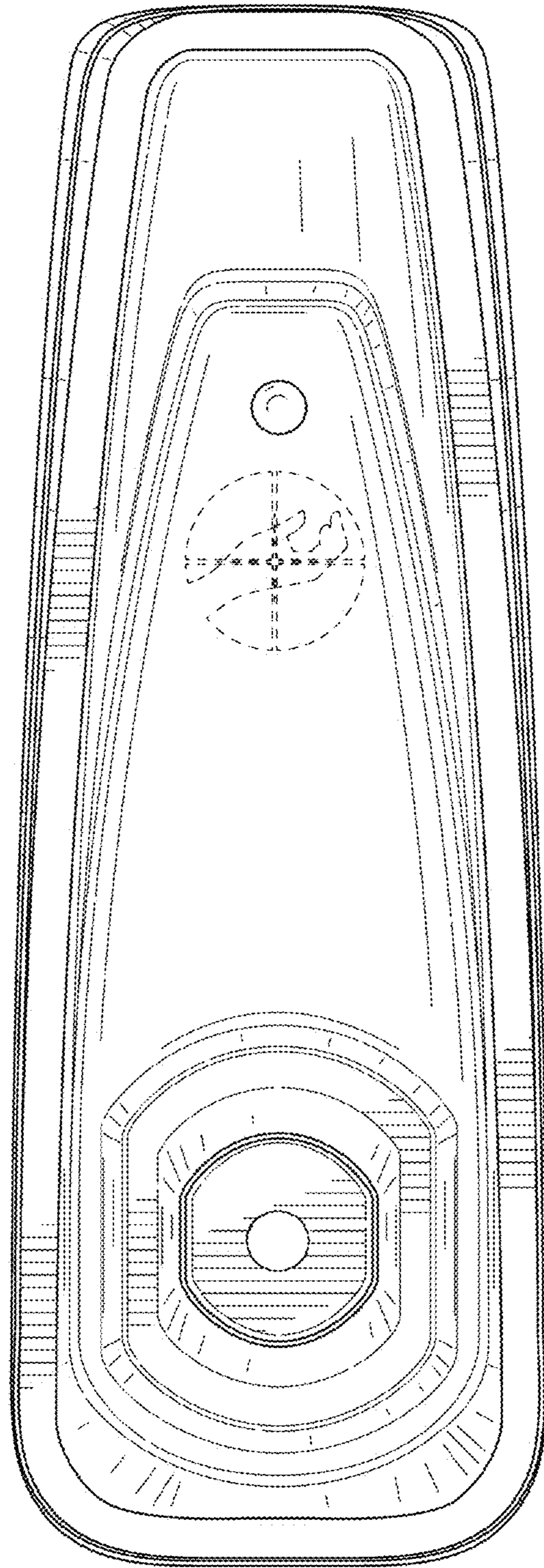


FIG. 17

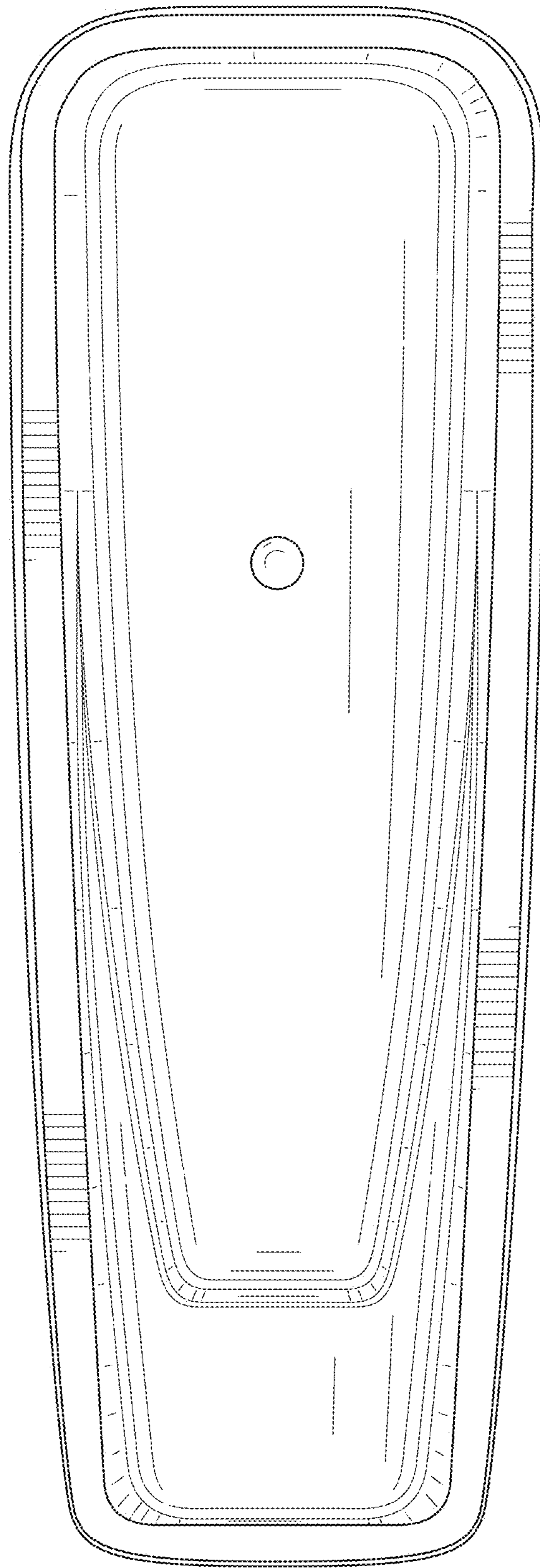


FIG. 18

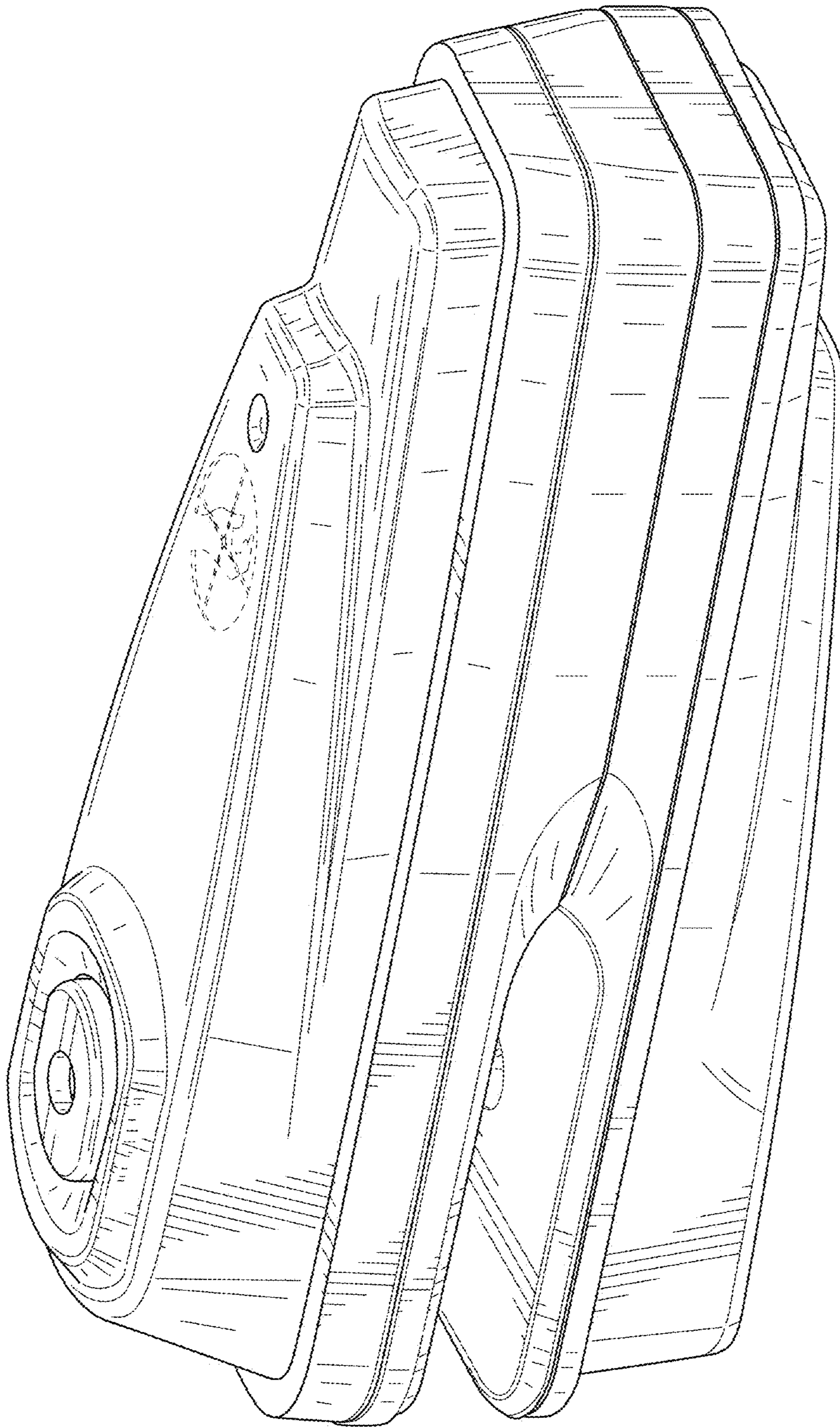


FIG. 19

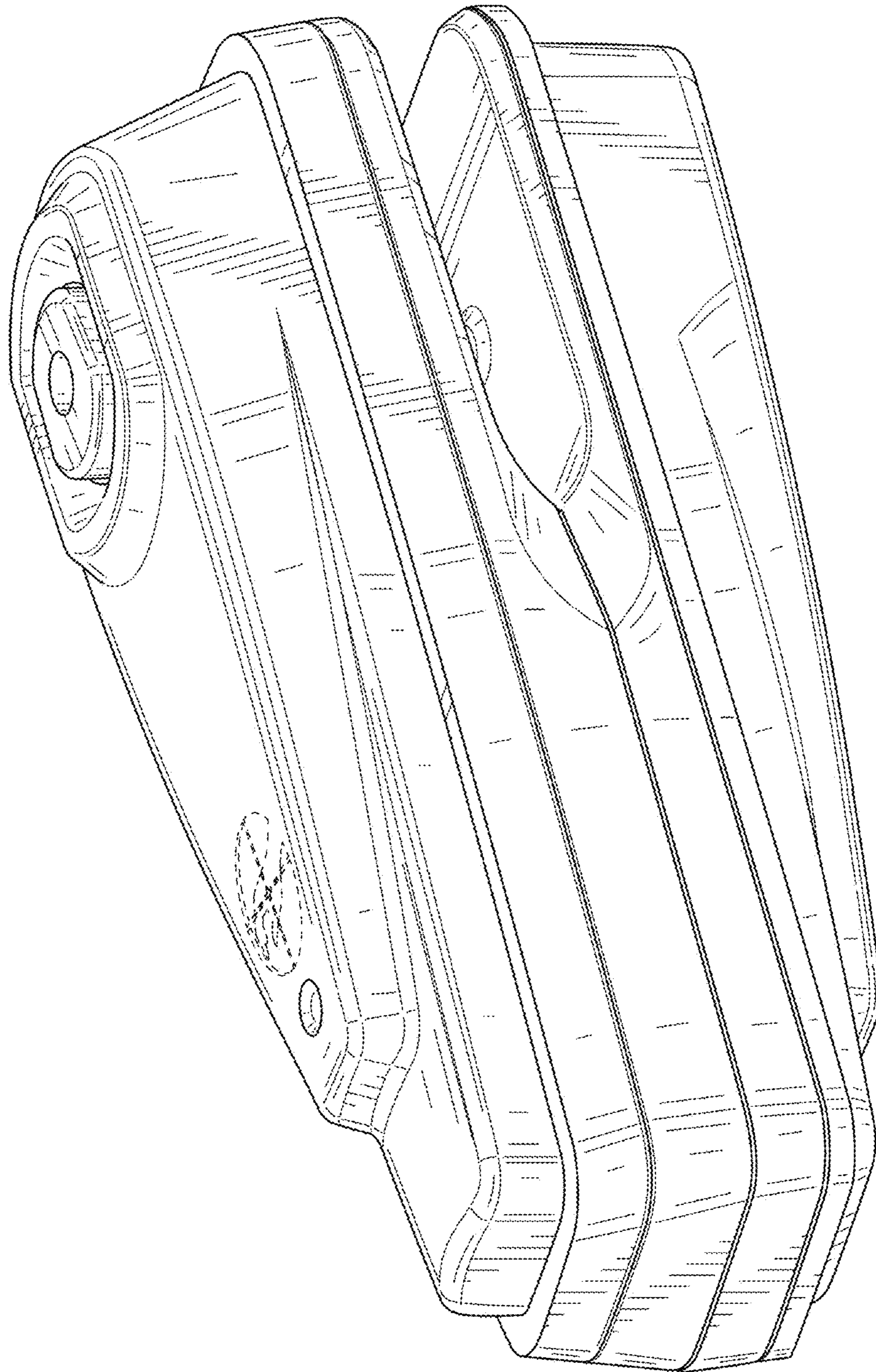


FIG. 20