



US00D915917S

(12) **United States Design Patent** (10) **Patent No.:** **US D915,917 S**  
**Wolfinger** (45) **Date of Patent:** **\*\* Apr. 13, 2021**

- (54) **SAFETY DEVICE FOR BREAK-IN PREVENTION**
- (71) Applicant: **GeRoTech-Innovations GmbH**, Vienna (AT)
- (72) Inventor: **Gerd Wolfinger**, Hagenbrunn (AT)
- (73) Assignee: **GeRoTech-Innovations GmbH**, Vienna (AT)
- (\*\*) Term: **15 Years**
- (21) Appl. No.: **29/687,846**
- (22) Filed: **Apr. 16, 2019**

- 4,970,489 A 11/1990 Jenkins et al.
- 5,252,947 A 10/1993 Marciano
- D341,787 S \* 11/1993 Chan ..... D10/106.7
- D341,788 S \* 11/1993 Caryl ..... D10/106.8
- D359,922 S \* 7/1995 Sandell ..... D10/106.7
- 5,749,646 A 5/1998 Brittell
- D425,534 S \* 5/2000 Mutoh ..... D10/106.1
- D661,212 S \* 6/2012 DeLeon ..... D10/106.2

(Continued)

**FOREIGN PATENT DOCUMENTS**

- AT 519289 \* 8/2018
- CN 203286484 U 11/2013

(Continued)

**OTHER PUBLICATIONS**

International Search Report & Written Opinion of the International Searching Authority Application No. PCT/EP2017/076286 Completed: Nov. 23, 2017; dated Nov. 30, 2017.

(Continued)

**Related U.S. Application Data**

- (63) Continuation of application No. PCT/EP2017/076286, filed on Oct. 16, 2017.

**Foreign Application Priority Data**

- Oct. 17, 2016 (AT) ..... A 60001/2016
- Feb. 9, 2017 (AT) ..... A 50106/2017
- Apr. 8, 2019 (EM) ..... 006372595

- (51) **LOC (13) Cl.** ..... **10-05**
- (52) **U.S. Cl.**  
USPC ..... **D10/106.7**

- (58) **Field of Classification Search**  
USPC ..... D10/106.1–106.8, 111, 121; D26/85, 86, D26/118, 12, 122  
CPC ..... G08B 15/00; G08B 15/002  
See application file for complete search history.

**References Cited**

**U.S. PATENT DOCUMENTS**

- (56) 4,212,007 A 7/1980 Reyes et al.
- D301,696 S \* 6/1989 Greenlee ..... D10/106.7
- D312,054 S \* 11/1990 Melman ..... D10/106.6

*Primary Examiner* — George D. Kirschbaum  
*Assistant Examiner* — Joseph J Kukella  
(74) *Attorney, Agent, or Firm* — Whitmyer IP Group LLC

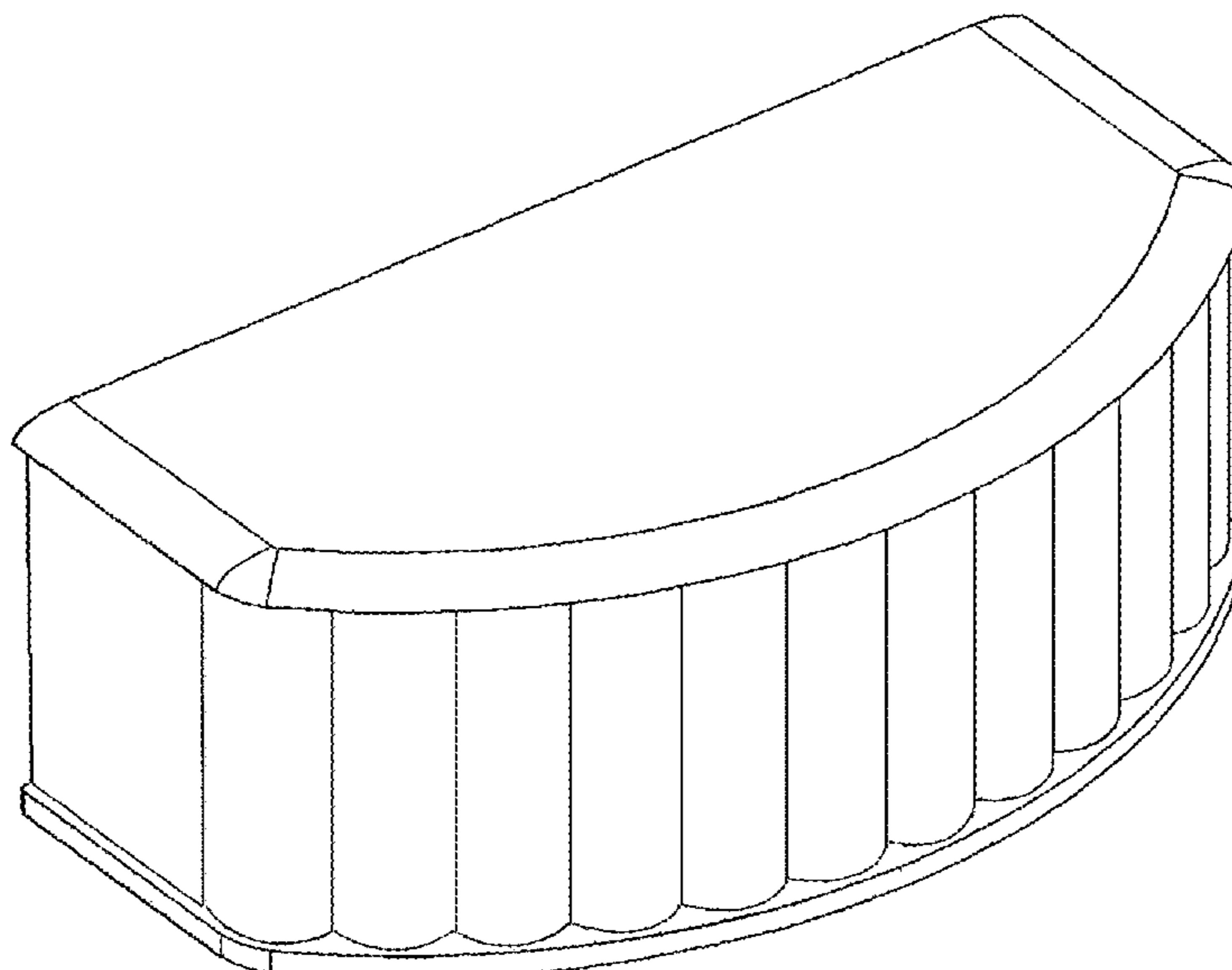
(57) **CLAIM**

The ornamental design for a safety device for break-in prevention, as shown and described.

**DESCRIPTION**

FIG. 1 is a front, right side isometric view of a safety device for break-in prevention in accordance with the new design; FIG. 2 is a front elevational view thereof; FIG. 3 is a rear elevational view thereof; FIG. 4 is a left side elevational view thereof; FIG. 5 is a right side elevational view thereof; FIG. 6 is a top plan view thereof; and, FIG. 7 is a bottom plan view thereof.

**1 Claim, 7 Drawing Sheets**



(56)

**References Cited**

U.S. PATENT DOCUMENTS

D688,961 S \* 9/2013 Haws ..... D10/70  
D689,385 S \* 9/2013 Haws ..... D10/70  
D757,985 S \* 5/2016 Sieczkowski ..... D26/89  
D764,093 S \* 8/2016 Sabernig ..... D26/85  
D861,526 S \* 10/2019 Wang ..... D10/106.6  
2009/0109051 A1 4/2009 Bodden et al.  
2012/0013238 A1 1/2012 Jonsson  
2015/0070658 A1 3/2015 Poesch et al.

FOREIGN PATENT DOCUMENTS

DE 102009015466 A1 9/2010  
DE 102011084325 A1 4/2013  
WO 2009081382 A1 7/2009  
WO 2016051352 A2 4/2016

OTHER PUBLICATIONS

Austrian Office Action Application No. A50106/2017 Completed:  
Aug. 16, 2017 1 Page.

\* cited by examiner

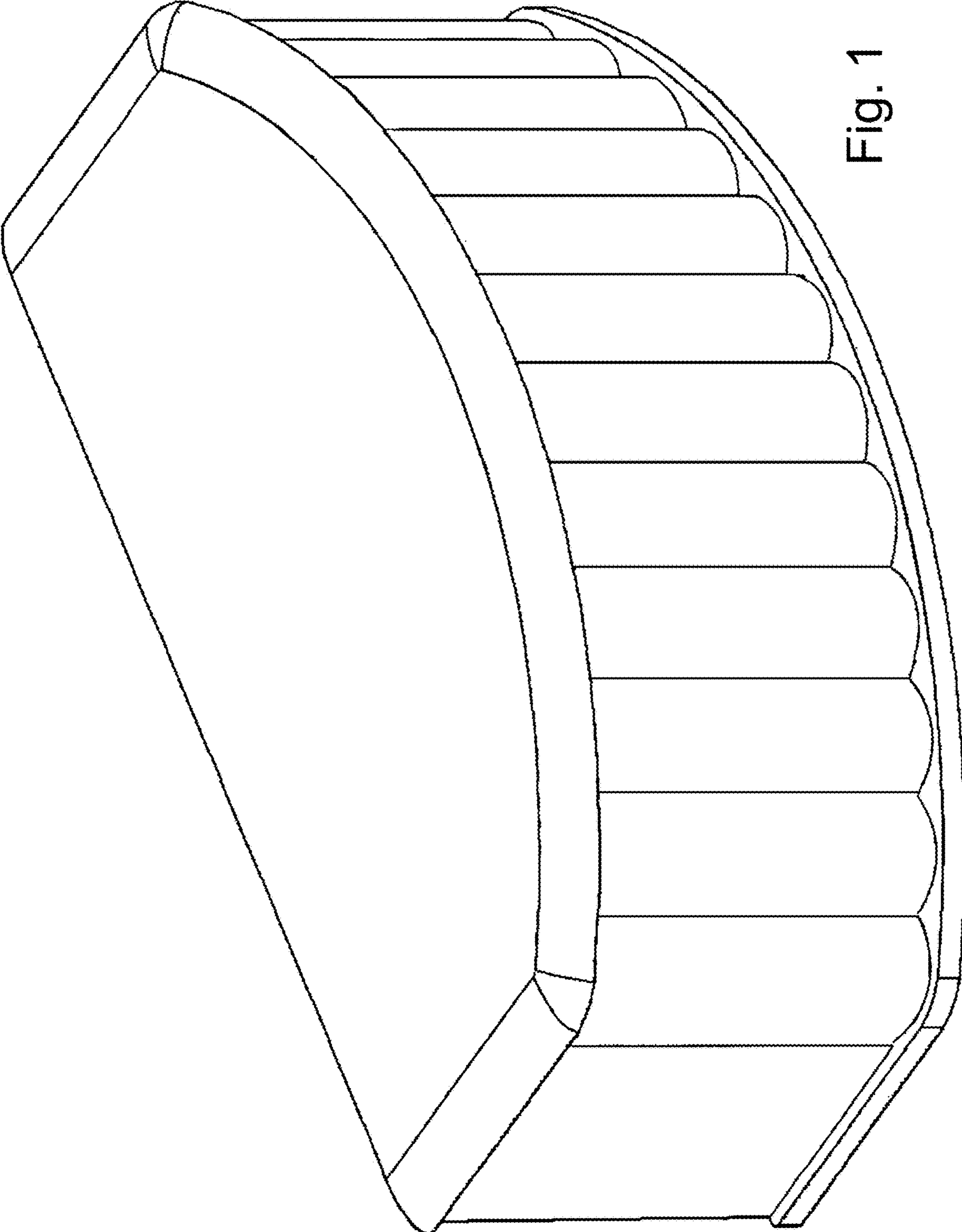


Fig. 1

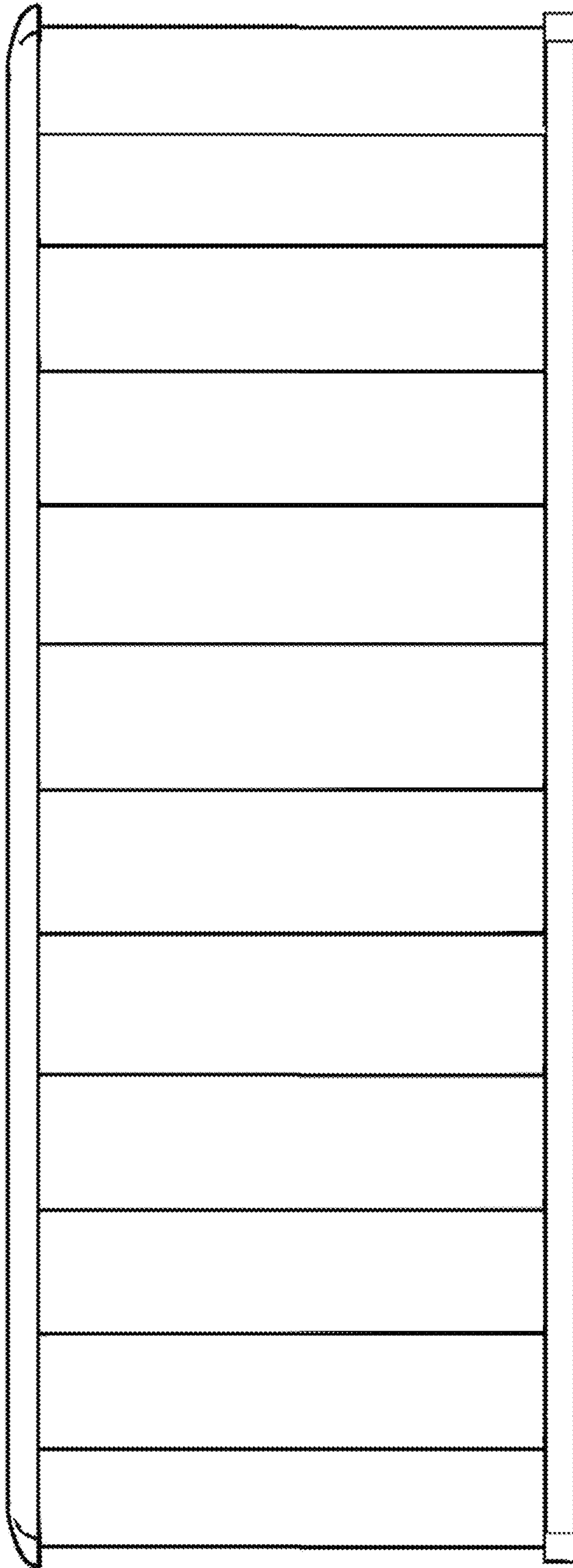


Fig. 2

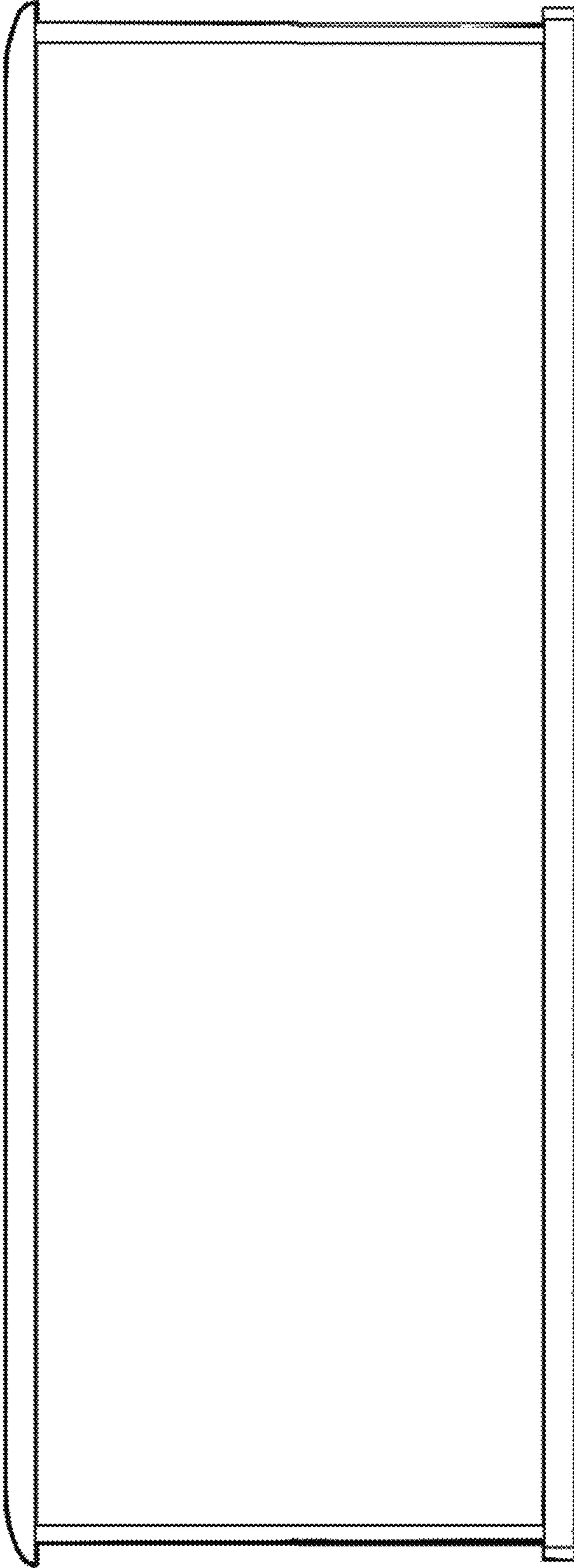


Fig. 3

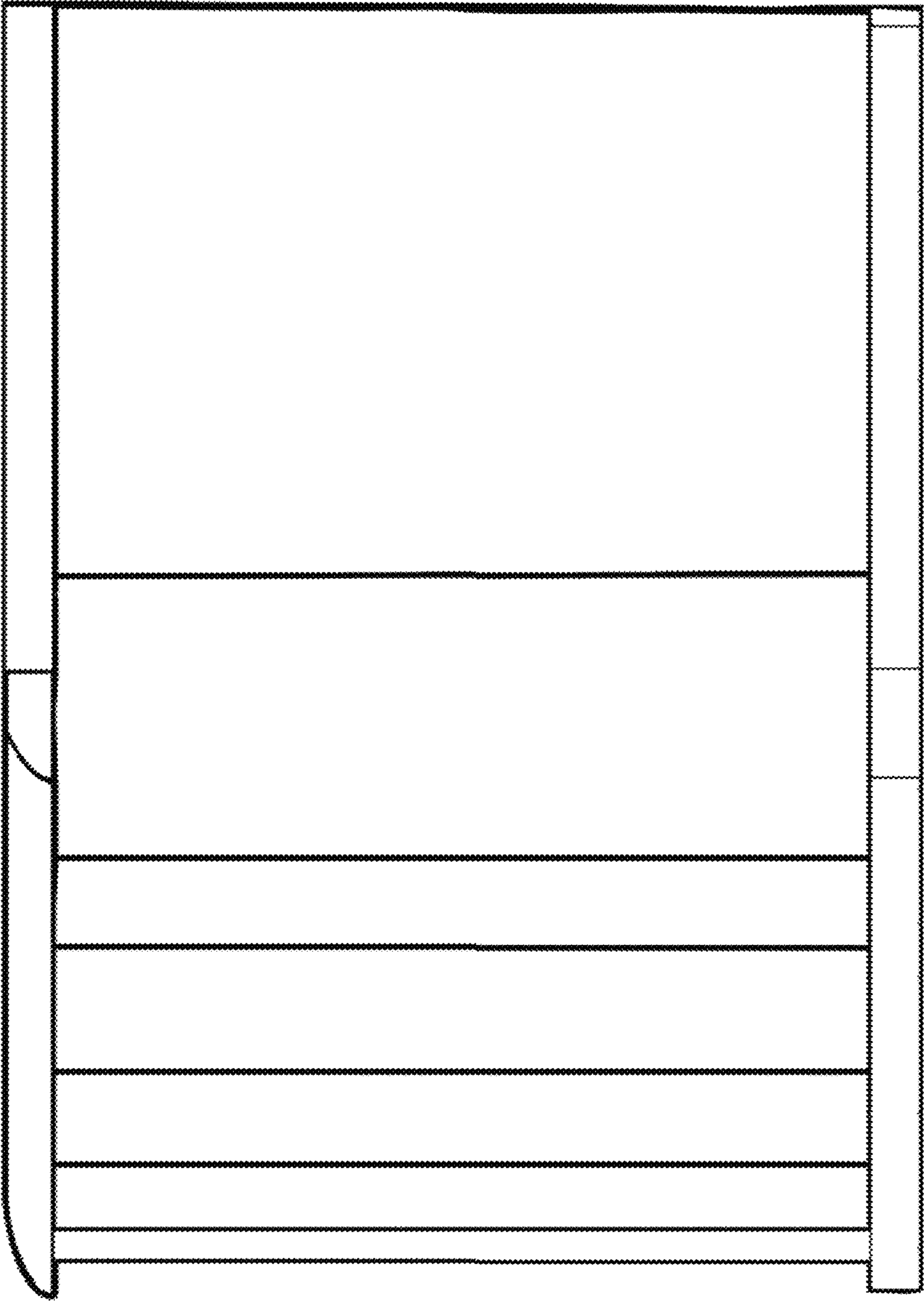


Fig. 4

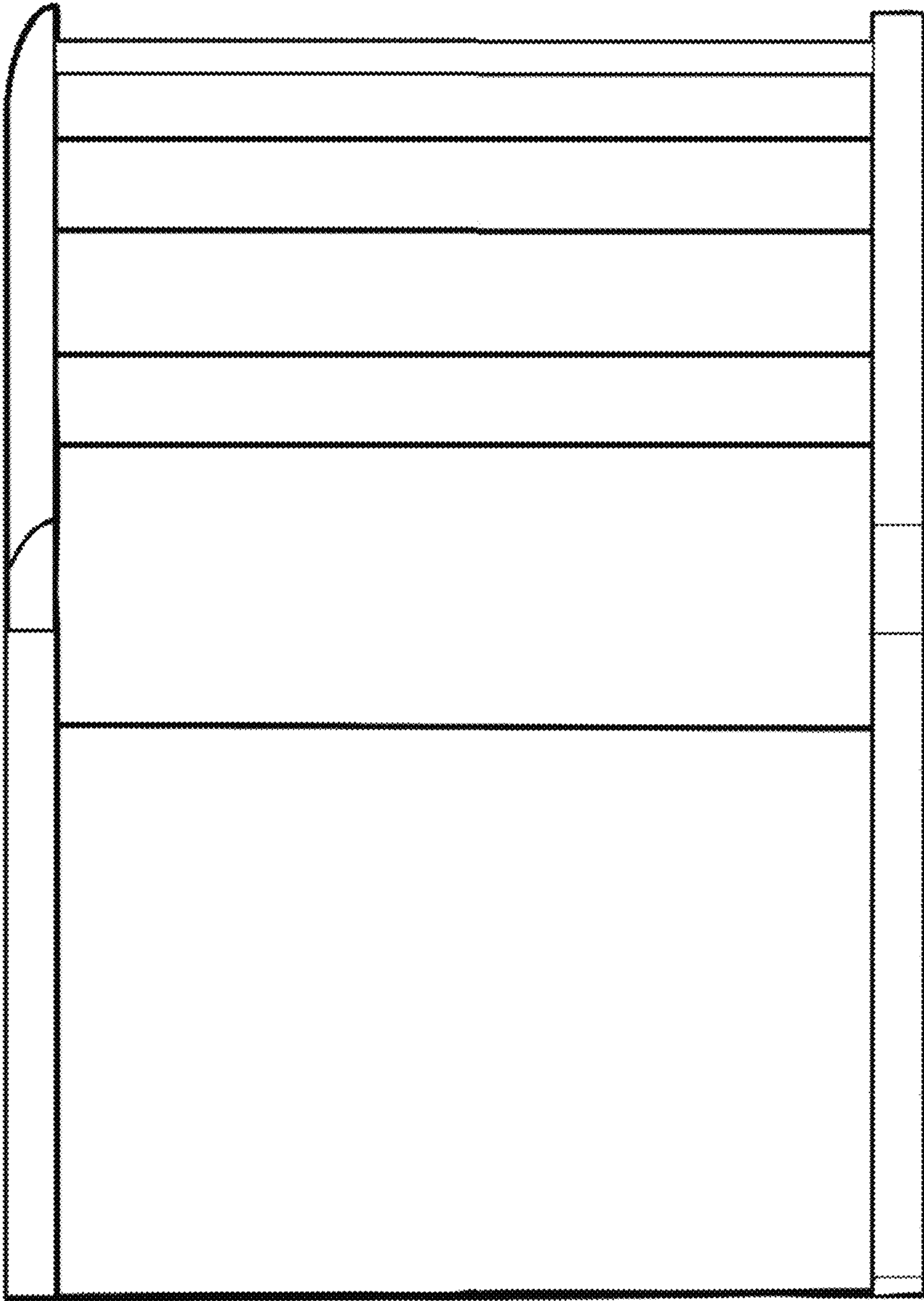


Fig. 5

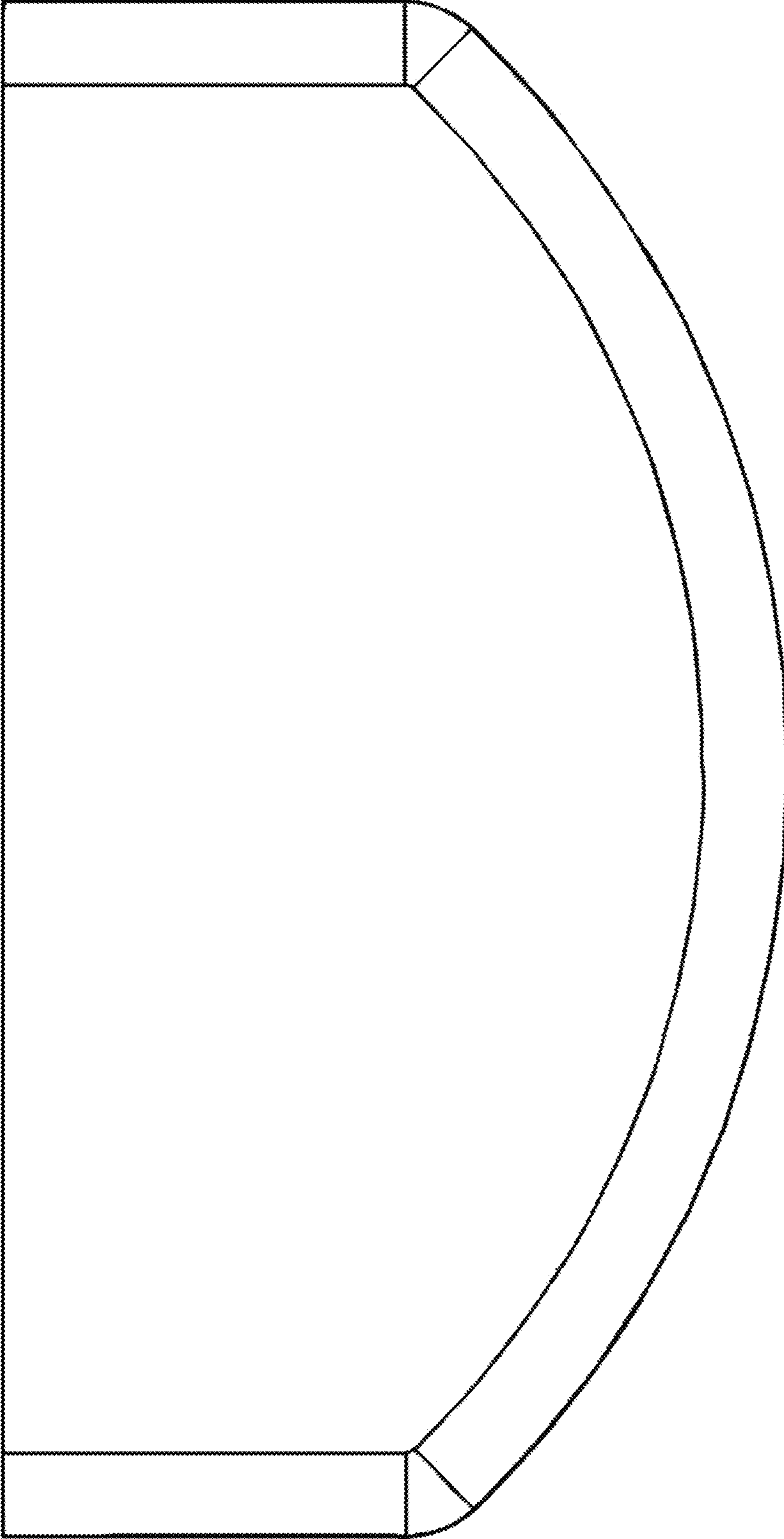


Fig. 6



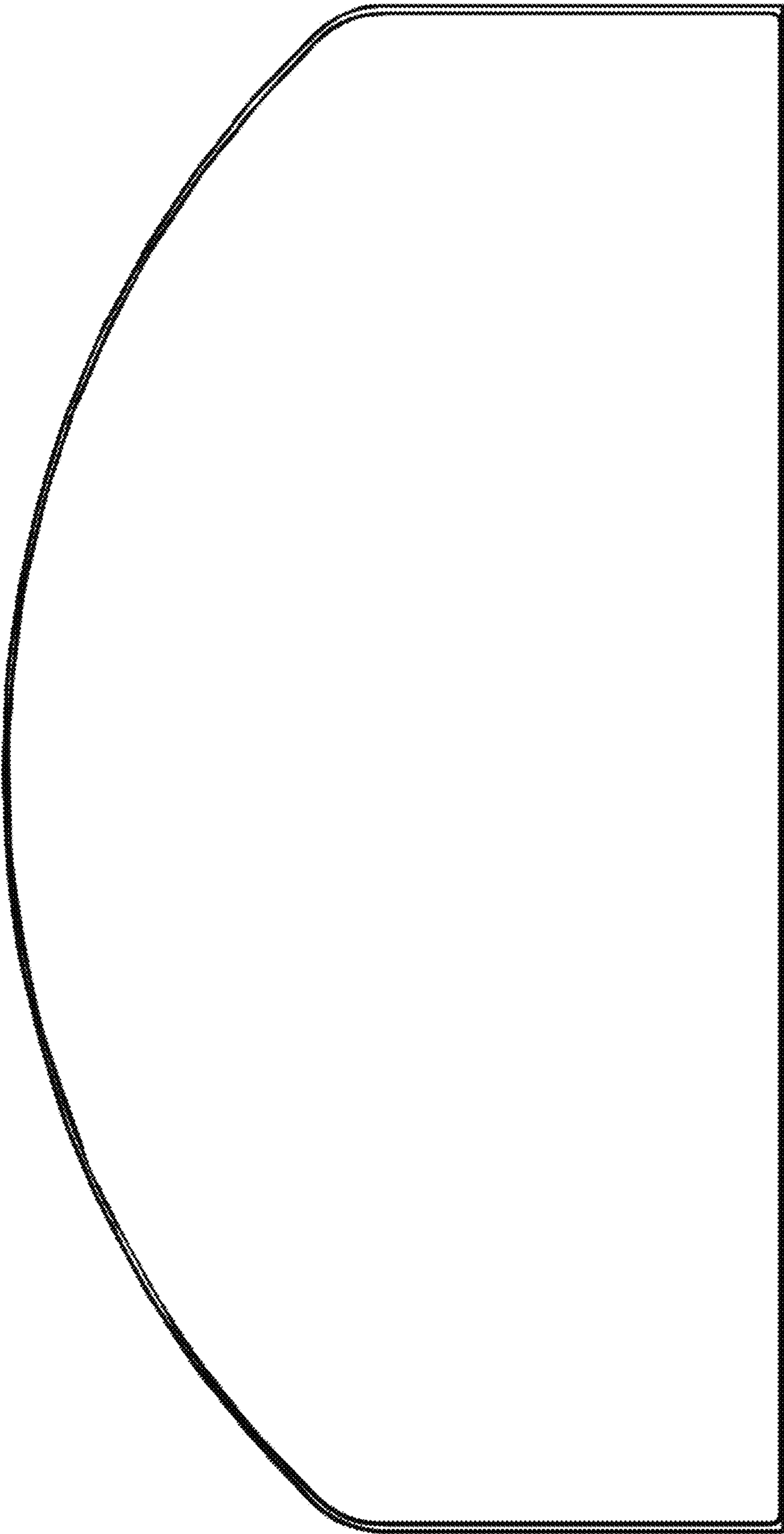


Fig. 7