



US00D915914S

(12) **United States Design Patent** (10) **Patent No.:** **US D915,914 S**
Kojima et al. (45) **Date of Patent:** **** Apr. 13, 2021**

(54) **THERMOGRAVIMETRIC ANALYZER**

(56) **References Cited**

(71) Applicant: **Hitachi High-Tech Science Corporation**, Tokyo (JP)

U.S. PATENT DOCUMENTS

(72) Inventors: **Akira Kojima**, Tokyo (JP); **Kazuyuki Yanase**, Tokyo (JP); **Mengting Zou**, Tokyo (JP); **Takashi Yamamoto**, Tokyo (JP); **Yasuyuki Takagi**, Tokyo (JP); **Ryota Matsumoto**, Tokyo (JP); **Tomoyuki Mukai**, Tokyo (JP); **Masaru Yokoyama**, Tokyo (JP)

D283,107 S *	3/1986	Collister	D10/46
D292,979 S *	12/1987	Chow	D10/75
5,322,360 A *	6/1994	Willis et al.	374/38
D381,756 S *	7/1997	Ohnuma et al.	D24/232
6,760,679 B1 *	7/2004	Carney et al.	702/94
6,846,455 B1 *	1/2005	Carney et al.	422/64
D556,914 S *	12/2007	Okamoto et al.	D24/233
D638,545 S *	5/2011	Okawa et al.	D24/186
D689,387 S *	9/2013	Muraoka et al.	D10/81

* cited by examiner

(73) Assignee: **Hitachi High-Tech Science Corporation**, Tokyo (JP)

Primary Examiner — Antoine D Davis

(**) Term: **15 Years**

(74) *Attorney, Agent, or Firm* — Crowell & Moring LLP

(21) Appl. No.: **29/692,843**

(57) **CLAIM**

The ornamental design for a thermogravimetric analyzer, as shown and described.

(22) Filed: **May 29, 2019**

DESCRIPTION

(30) **Foreign Application Priority Data**

Nov. 29, 2018 (JP) 2018-025981

(51) **LOC (13) Cl.** **10-04**

(52) **U.S. Cl.**
USPC **D10/81**

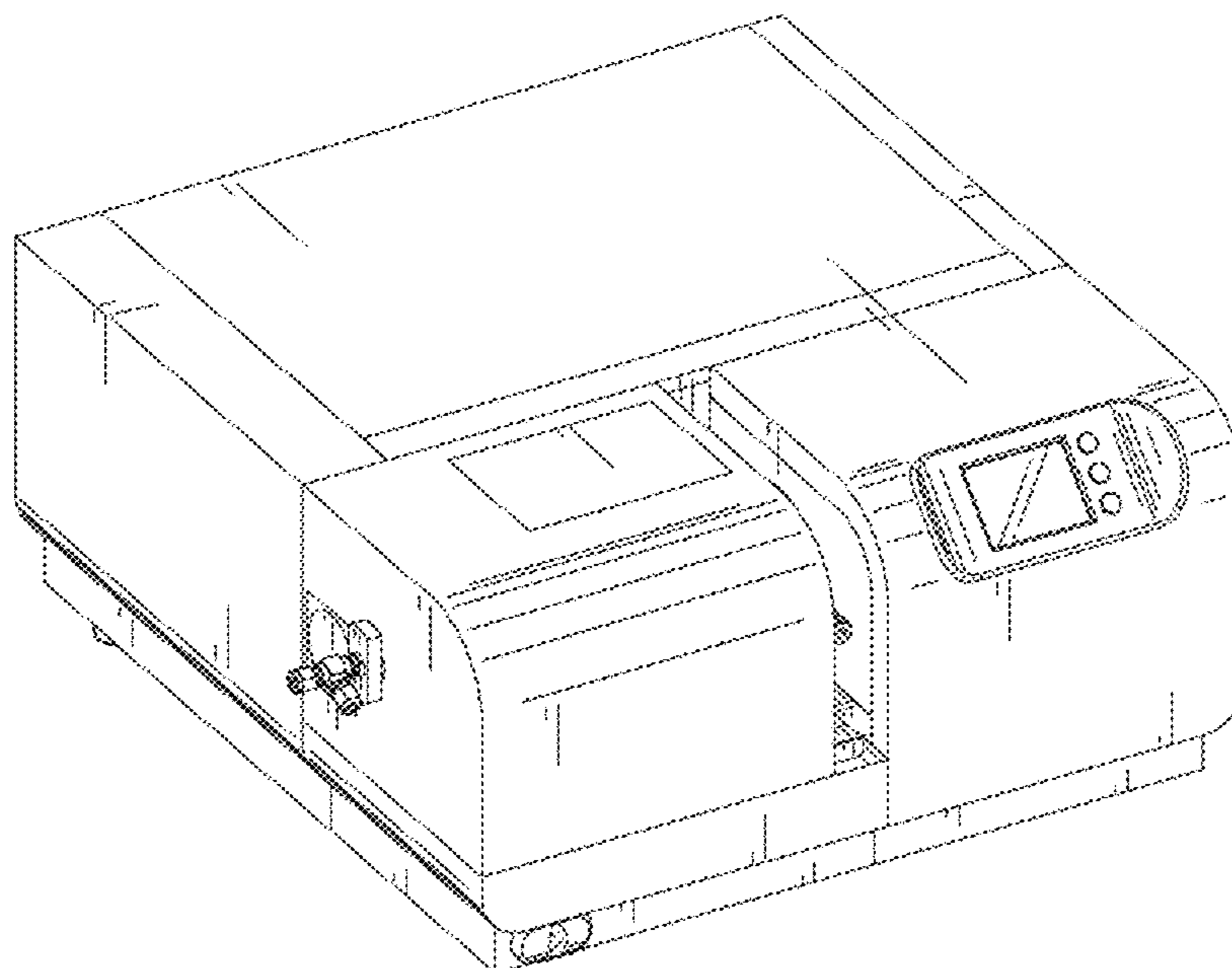
(58) **Field of Classification Search**
USPC D10/46, 75, 81
CPC G01N 25/00; G01N 25/005; G01N 25/02;
G01N 25/04; G01N 25/06; G01N 25/08;
G01N 25/085; G01N 25/10; G01N 25/12;
G01N 25/14; G01N 25/142; G01N
25/145; G01N 25/147; G01N 25/16;
G01N 25/18; G01N 25/20; G01N 25/22

See application file for complete search history.

FIG. 1 is a front, top and left side perspective view of a thermogravimetric analyzer according to the design;
FIG. 2 is a front elevational view thereof;
FIG. 3 is a top plan view thereof;
FIG. 4 is a right side elevational view thereof;
FIG. 5 is a left side elevational view thereof;
FIG. 6 is a rear elevational view thereof;
FIG. 7 is a bottom plan view thereof;
FIG. 8 is a cross-sectional view taken along line 8-8 of FIG. 2; and,
FIG. 9 is an enlarged view of the portion shown in BOX 9 in FIG. 2 and FIG. 4.

The broken lines illustrate portions of the thermogravimetric analyzer that form no part of the claimed design. The hatching shown in FIG. 8 represents unclaimed subject matter and forms no part of the claimed design.

1 Claim, 4 Drawing Sheets



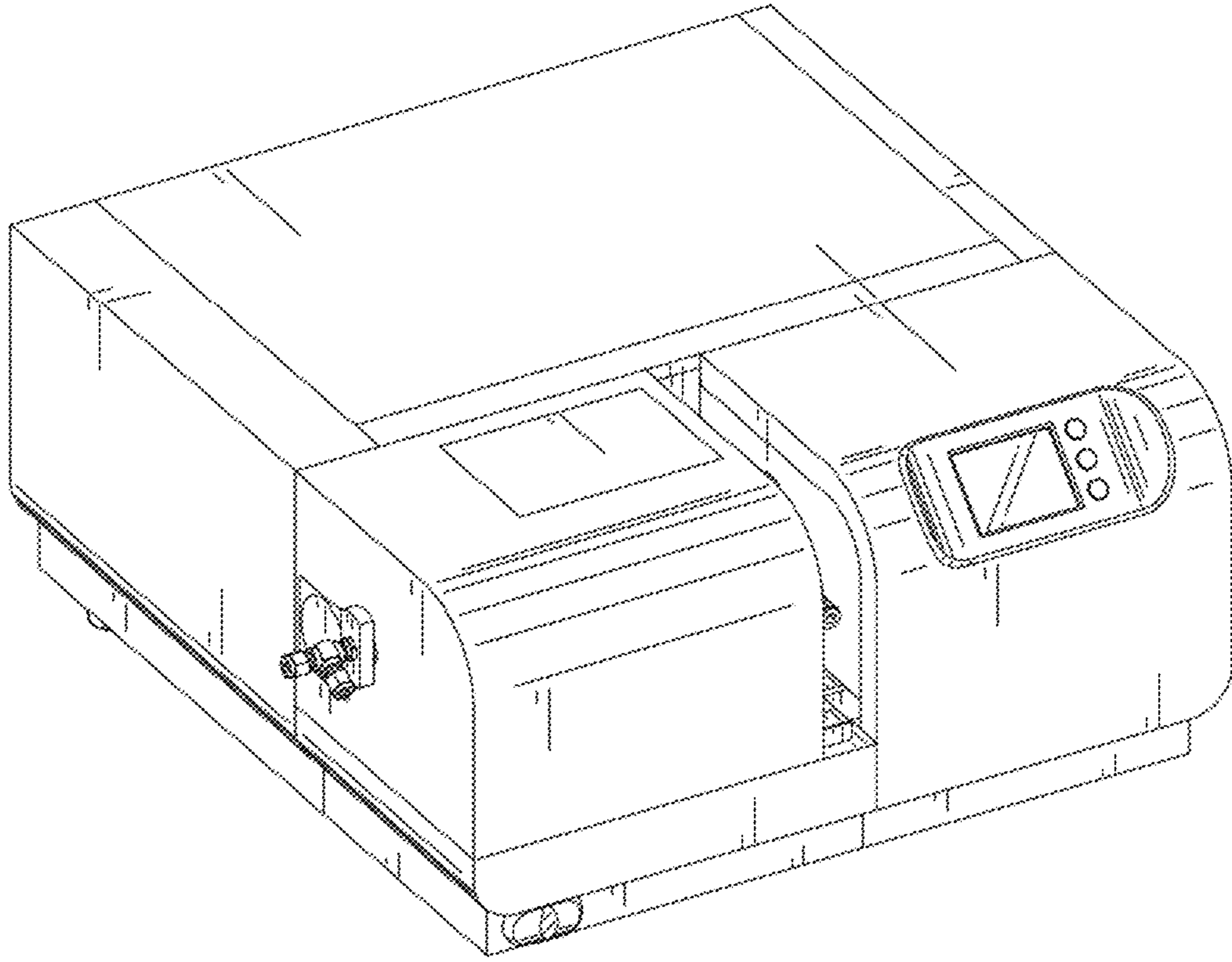


FIG. 1

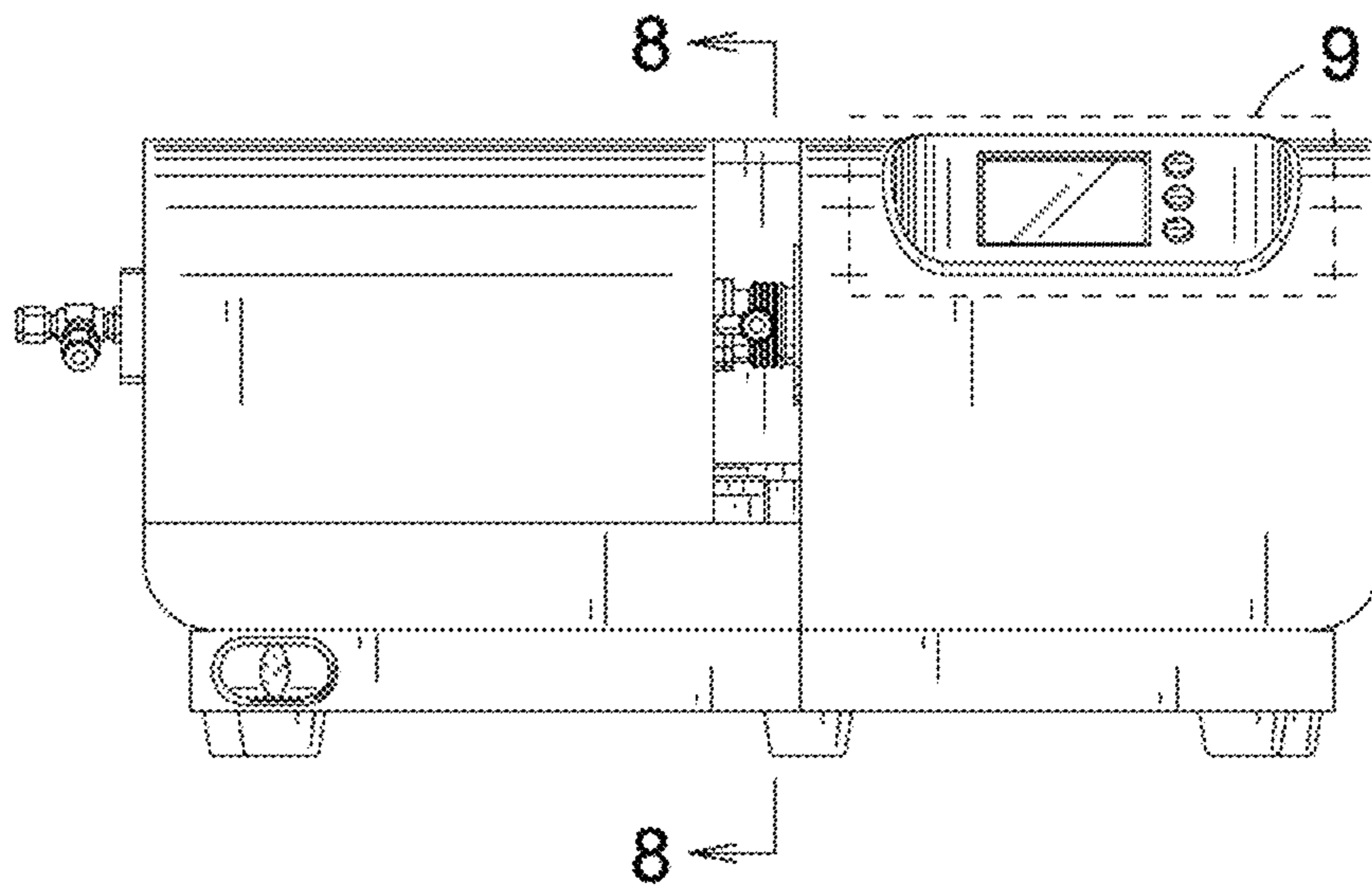


FIG. 2

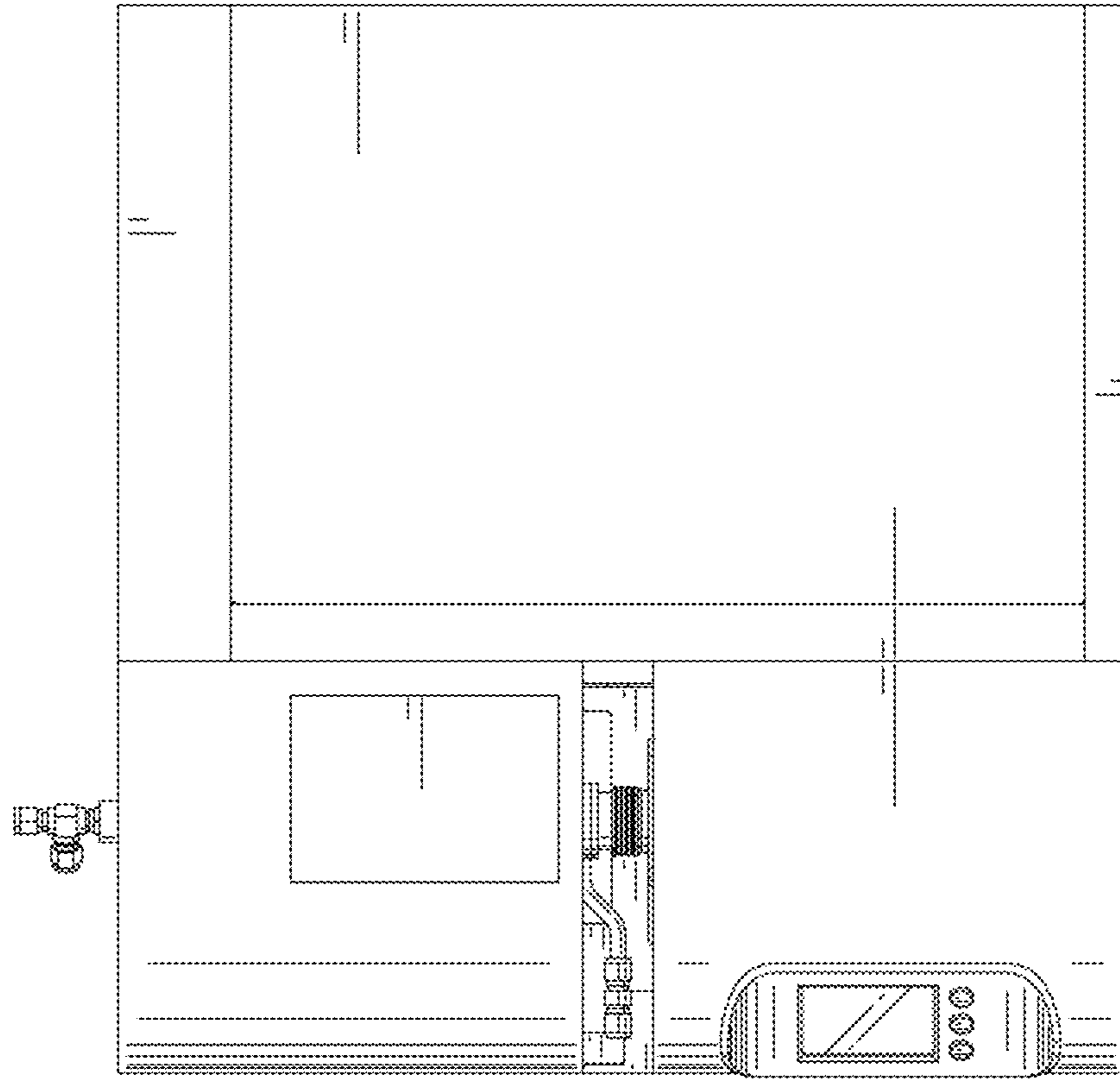


FIG. 3

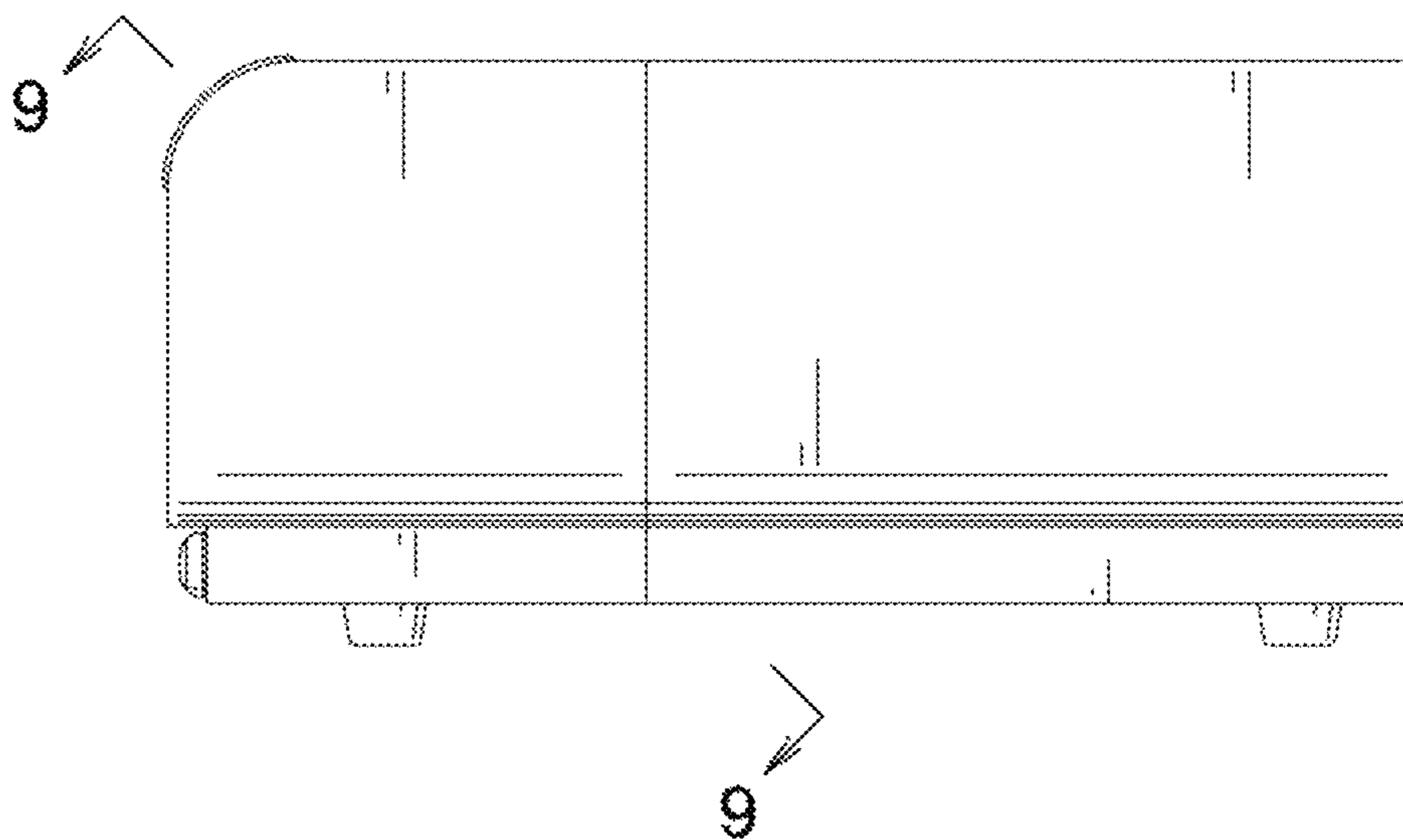


FIG. 4

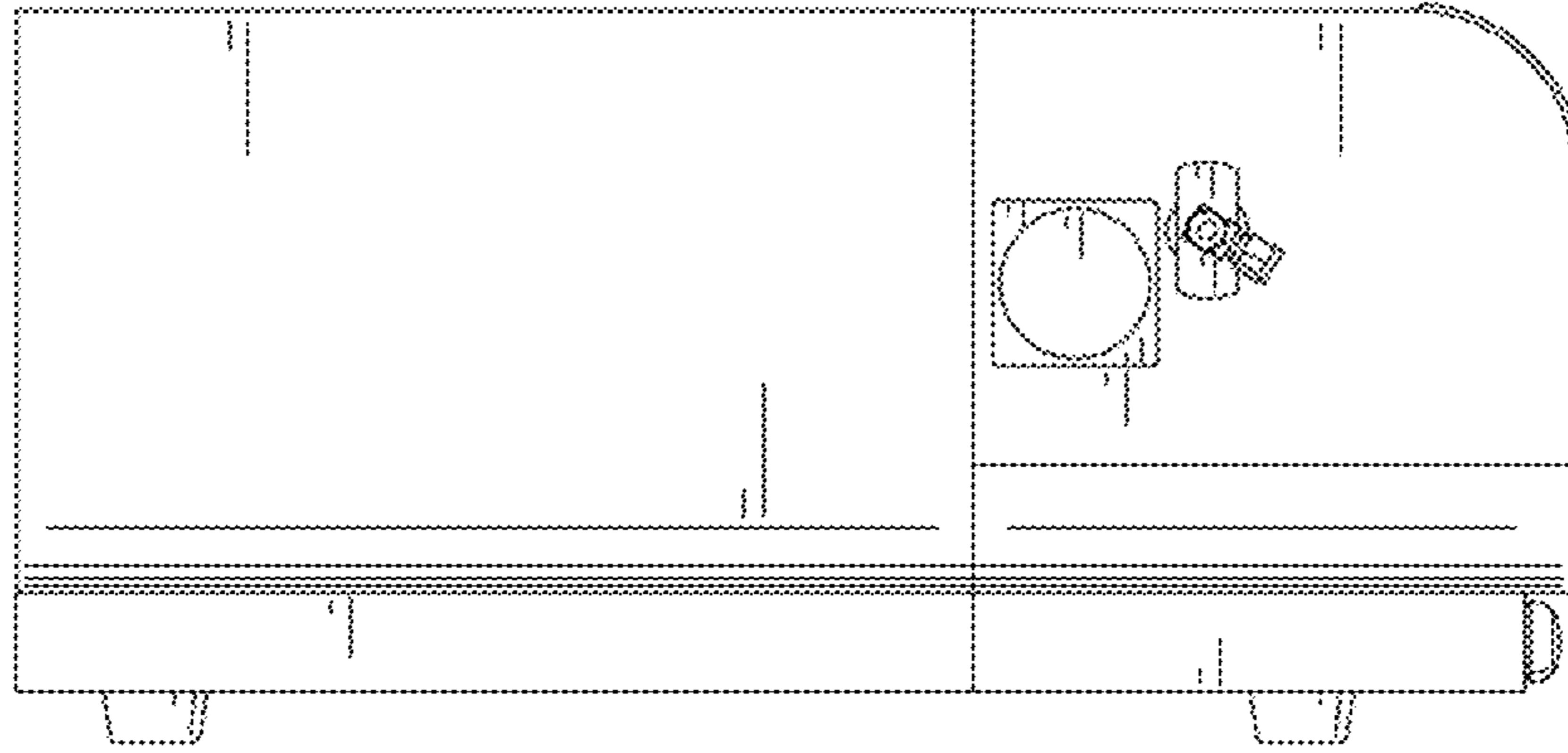


FIG. 5

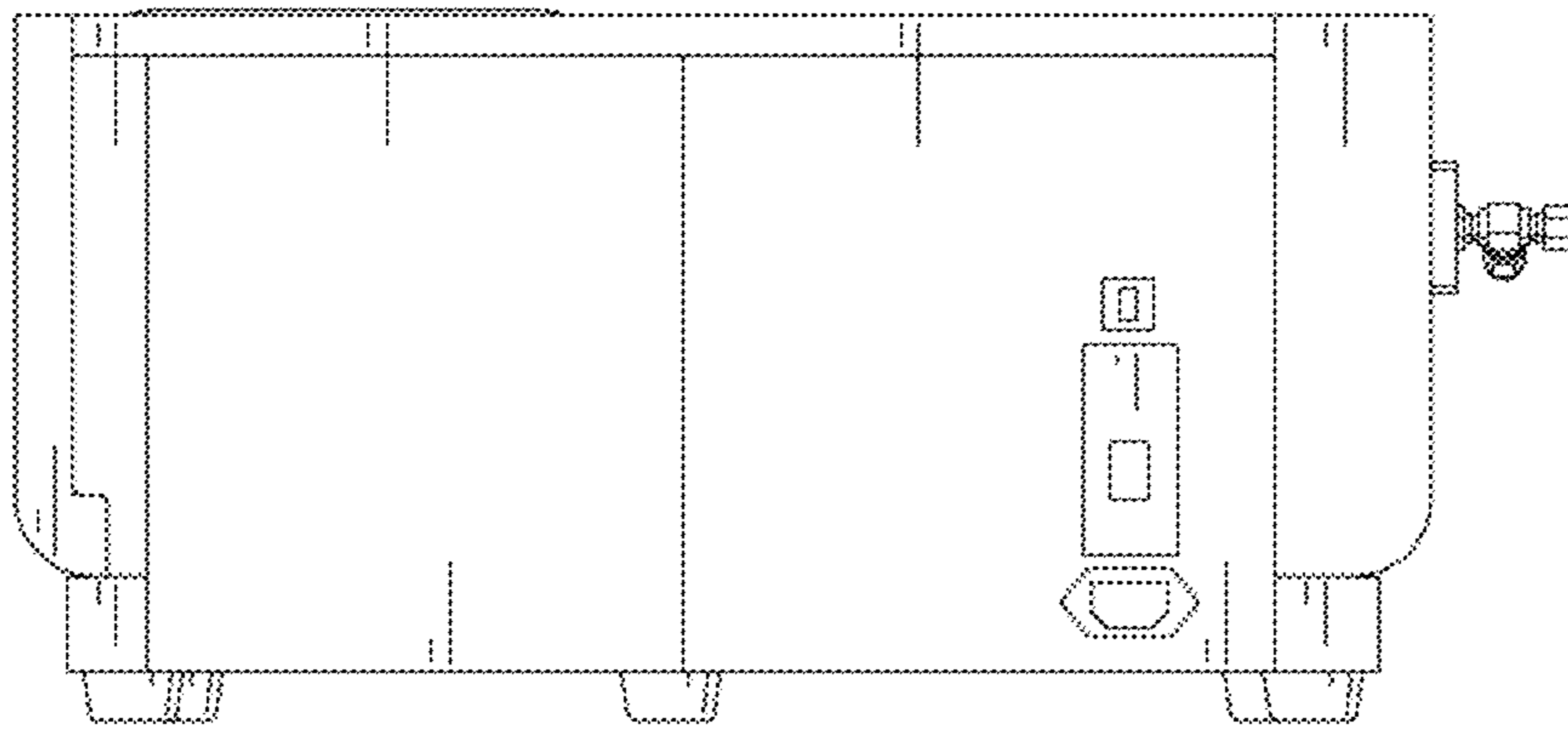


FIG. 6

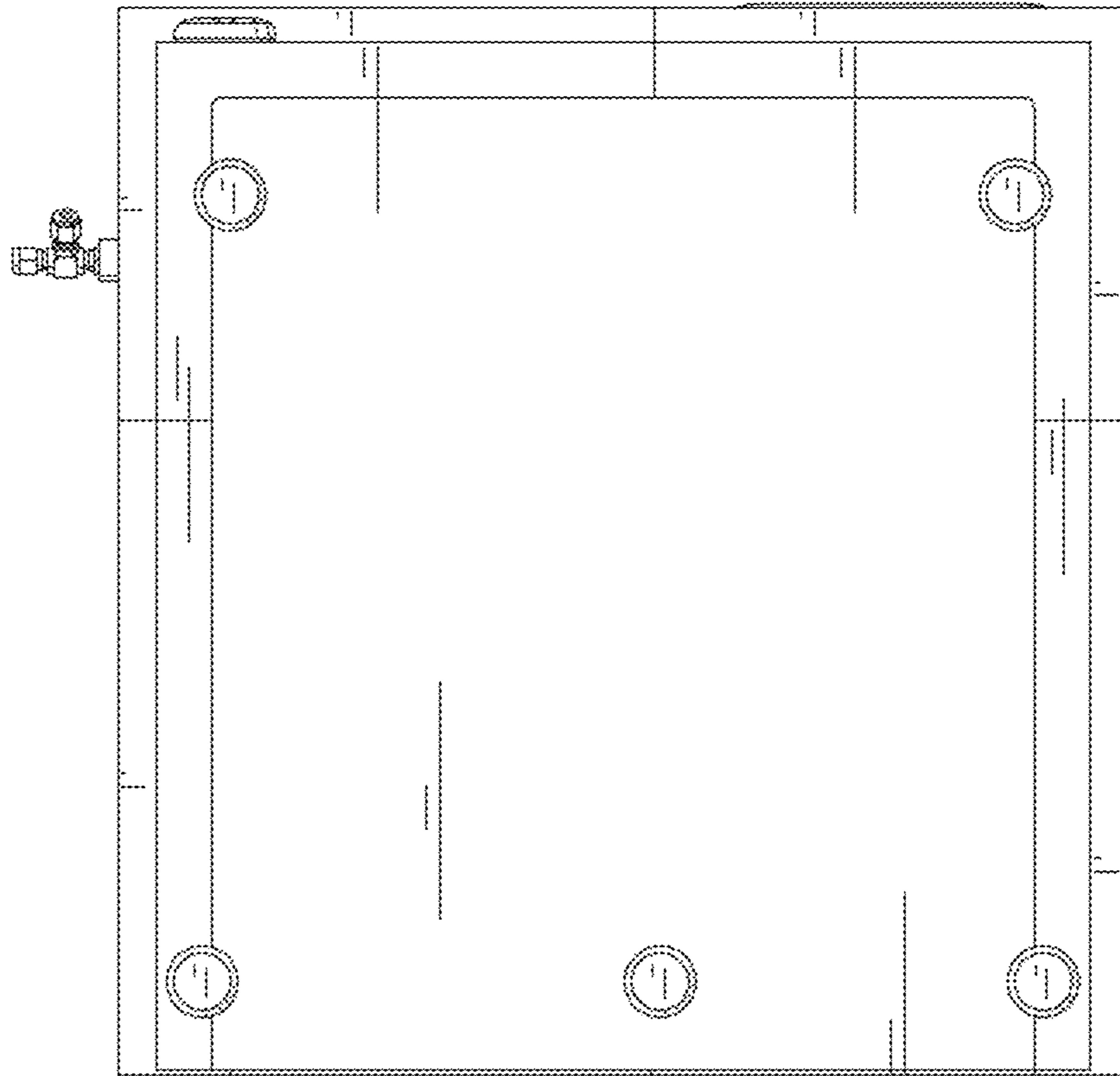


FIG. 7

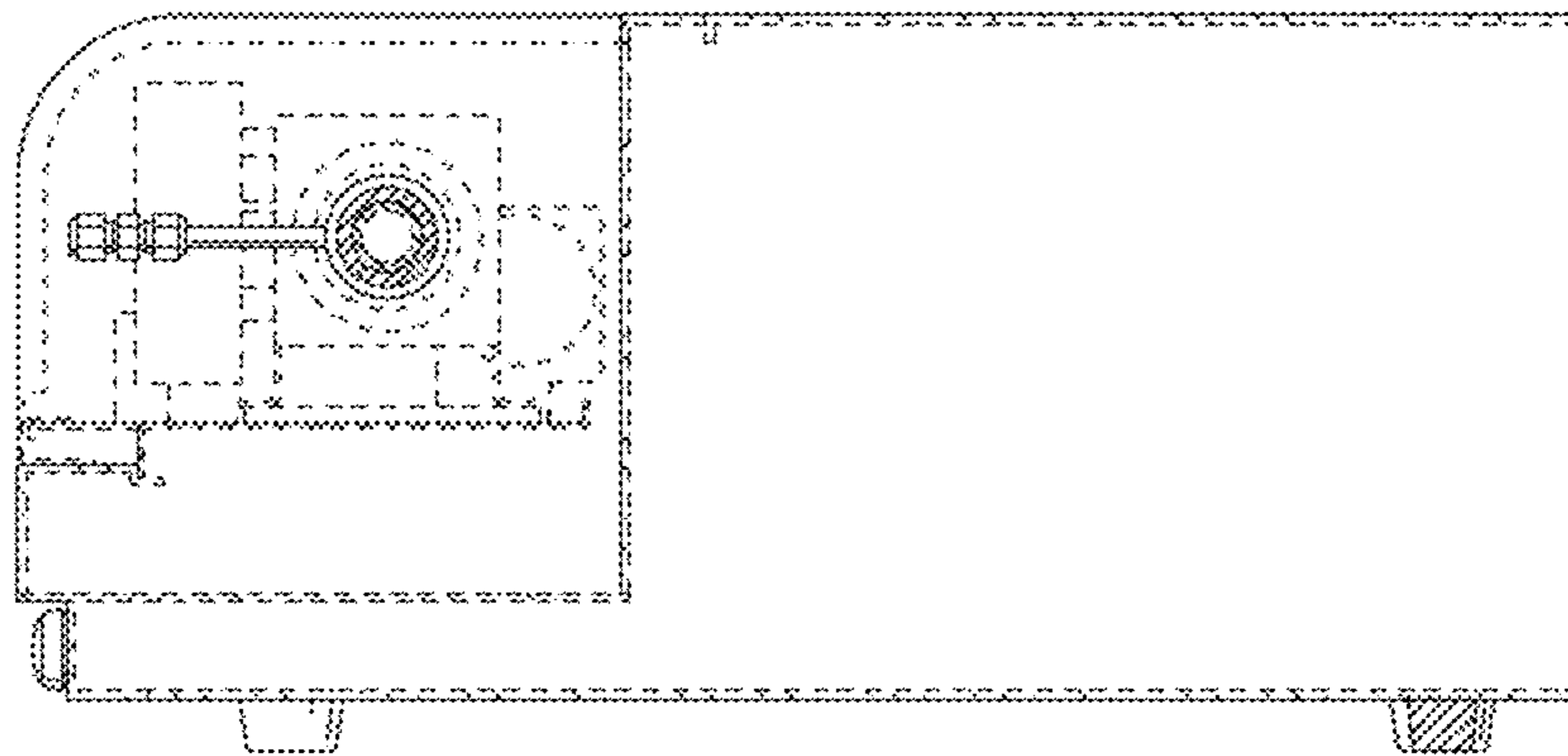


FIG. 8

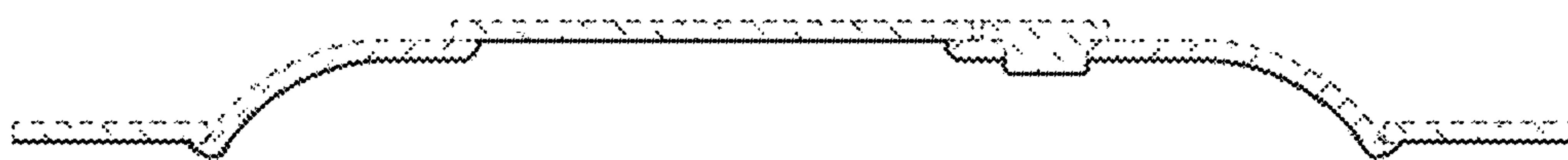


FIG. 9