



US00D915912S

(12) **United States Design Patent**
Fu

(10) **Patent No.:** **US D915,912 S**
(45) **Date of Patent:** **** Apr. 13, 2021**

(54) **CONTOUR GAUGE WITH LOCK**
(71) Applicant: **Hongxing Fu**, Zhejiang (CN)
(72) Inventor: **Hongxing Fu**, Zhejiang (CN)
(**) Term: **15 Years**
(21) Appl. No.: **29/748,054**
(22) Filed: **Aug. 27, 2020**
(51) **LOC (13) Cl.** **10-04**
(52) **U.S. Cl.**
USPC **D10/65**
(58) **Field of Classification Search**
USPC D8/99, 100, 105; D10/65
CPC ... G01B 5/20; B25H 7/04; B28D 1/22; B28D
1/223; B28D 1/225; B28D 1/228; E04F
21/0076; E04F 21/18; E04F 21/20; Y10S
33/20
See application file for complete search history.

3,419,965 A * 1/1969 Madden G01B 5/207
33/561.1
3,678,587 A * 7/1972 Madden G01B 5/28
33/561.1
D228,694 S 10/1973 Ritsi
D303,887 S 10/1989 Reid
D371,857 S 7/1996 Gismondi
D385,229 S 10/1997 Chan
9,308,671 B2 * 4/2016 Baro Cabrero B28D 1/225
9,404,726 B2 * 8/2016 Shu G01B 5/207
9,808,962 B2 * 11/2017 Moog B28D 1/225
10,525,612 B2 * 1/2020 Soler Balcells B43L 7/027
D884,501 S * 5/2020 Lei G01B 5/20
D10/65
D885,212 S * 5/2020 Fu G01B 5/207
D10/65
2012/0266472 A1 * 10/2012 Liza E04F 21/0076
33/527
2015/0377601 A1 * 12/2015 Shu G01B 5/207
33/561.1

* cited by examiner

Primary Examiner — Antoine Duval Davis

(56) **References Cited**
U.S. PATENT DOCUMENTS

D9,590 S 10/1876 Carlisle, Jr.
1,041,145 A * 10/1912 Moss G01B 5/207
33/561.1
1,261,438 A * 4/1918 Reinhardt G01B 5/20
33/561.1
D132,309 S 5/1942 Bermond
2,615,256 A * 10/1952 Olson G01B 5/20
33/561.1
D172,262 S 5/1954 Baird
2,721,391 A * 10/1955 Von Duyke B44B 1/00
33/561.1
2,759,271 A * 8/1956 Von Duyke A61B 5/1077
33/561.1
2,949,674 A * 8/1960 Wexler G01B 5/20
33/561.1

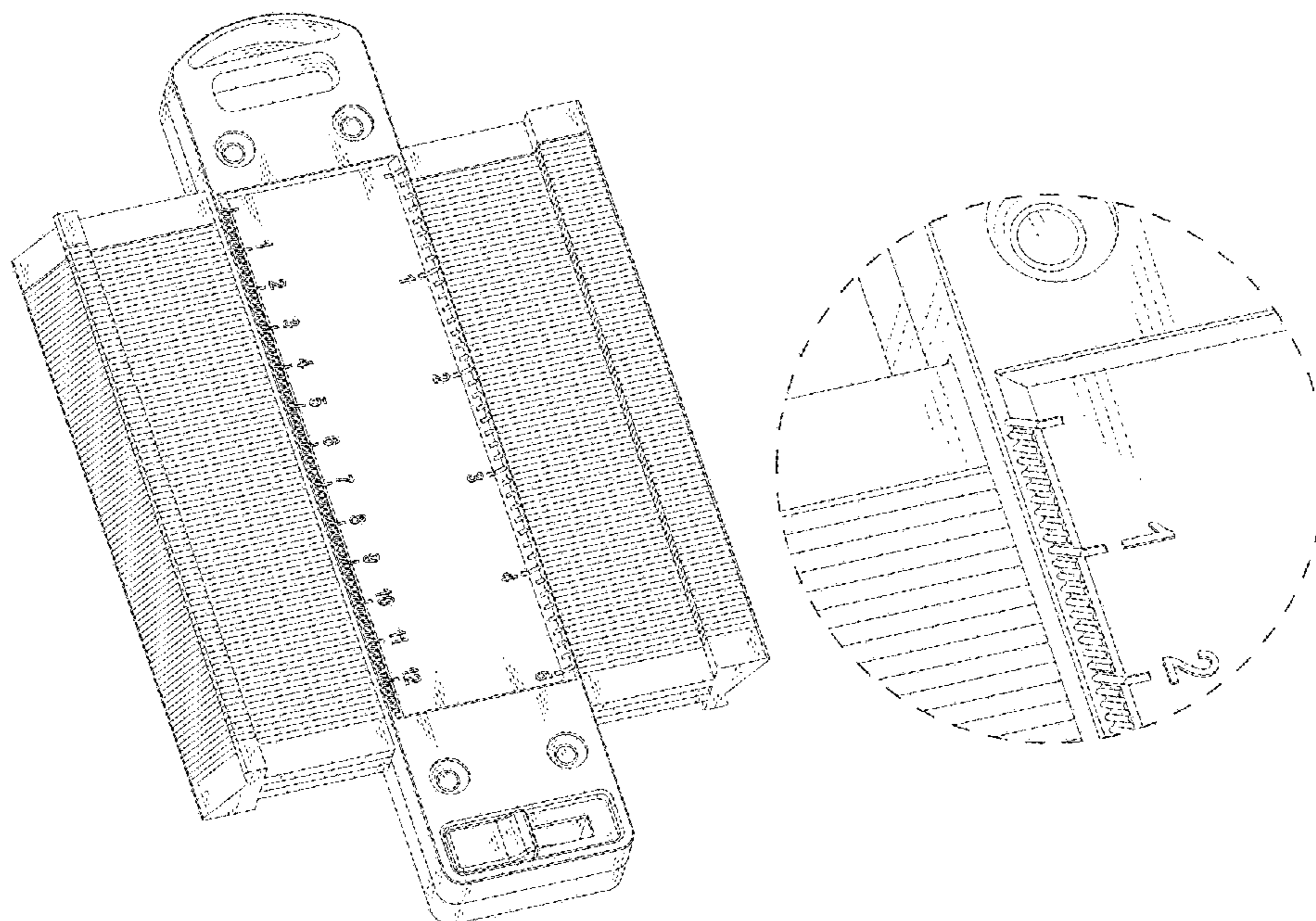
(57) **CLAIM**

The ornamental design for a contour gauge with lock, as shown and described.

DESCRIPTION

FIG. 1 is a perspective view of a contour gauge with lock showing my new design;
FIG. 2 is a front elevational view thereof;
FIG. 3 is a rear elevational view thereof;
FIG. 4 is a left side elevational view thereof;
FIG. 5 is a right side elevational view thereof;
FIG. 6 is a top plan view thereof; and
FIG. 7 is a bottom plan view thereof; and,
FIG. 8 is an enlarged view thereof.

1 Claim, 8 Drawing Sheets



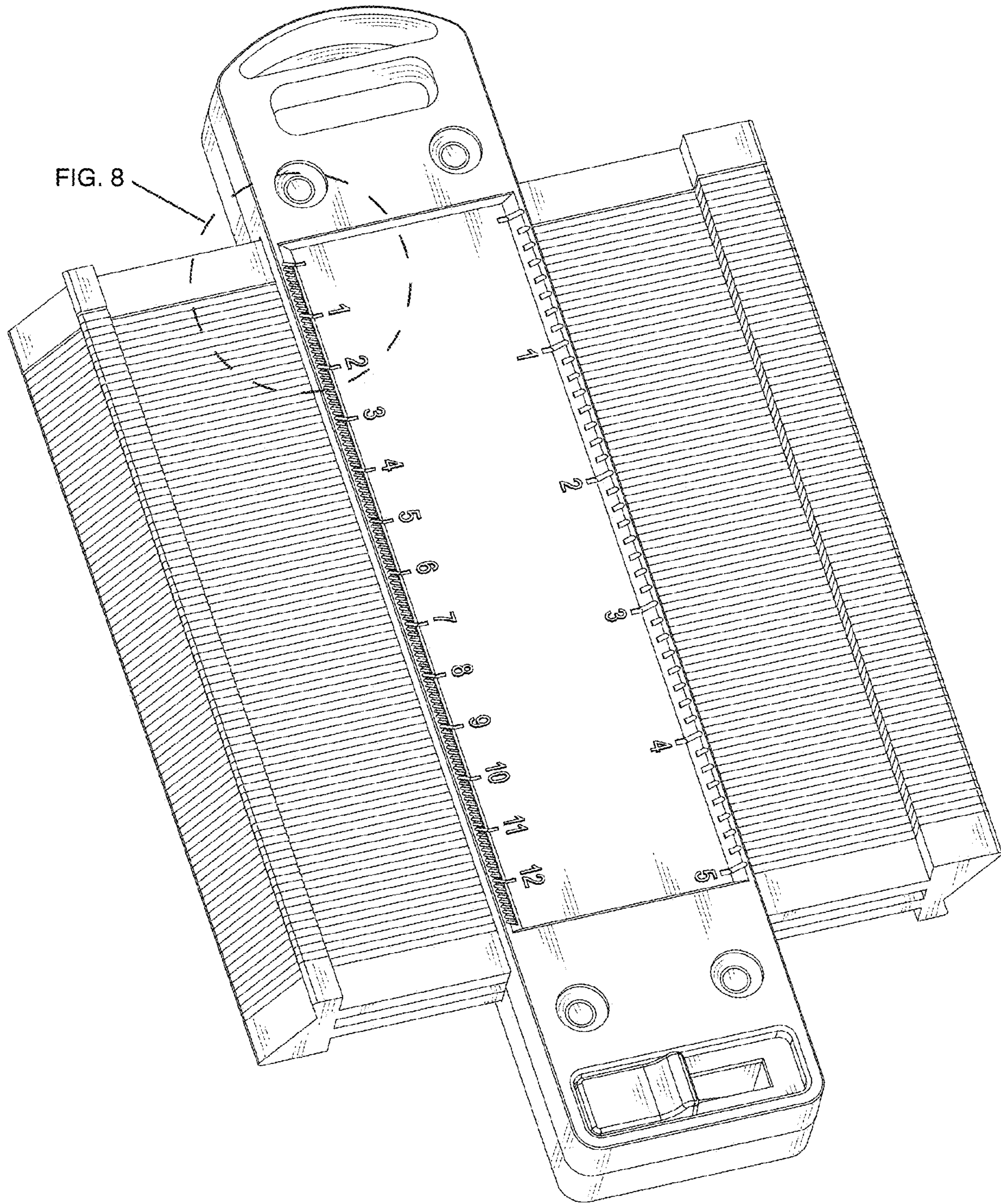


FIG.1

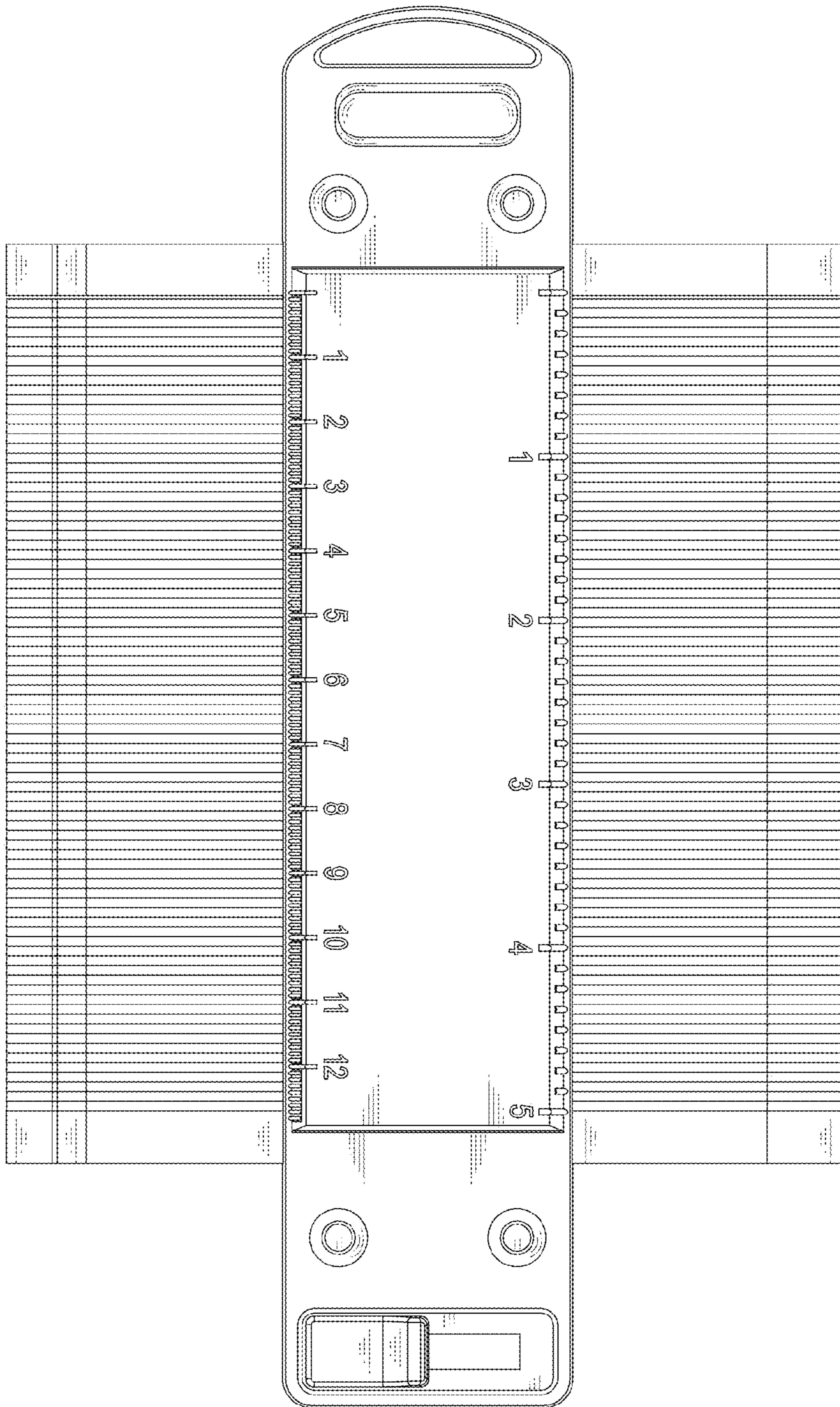


FIG.2

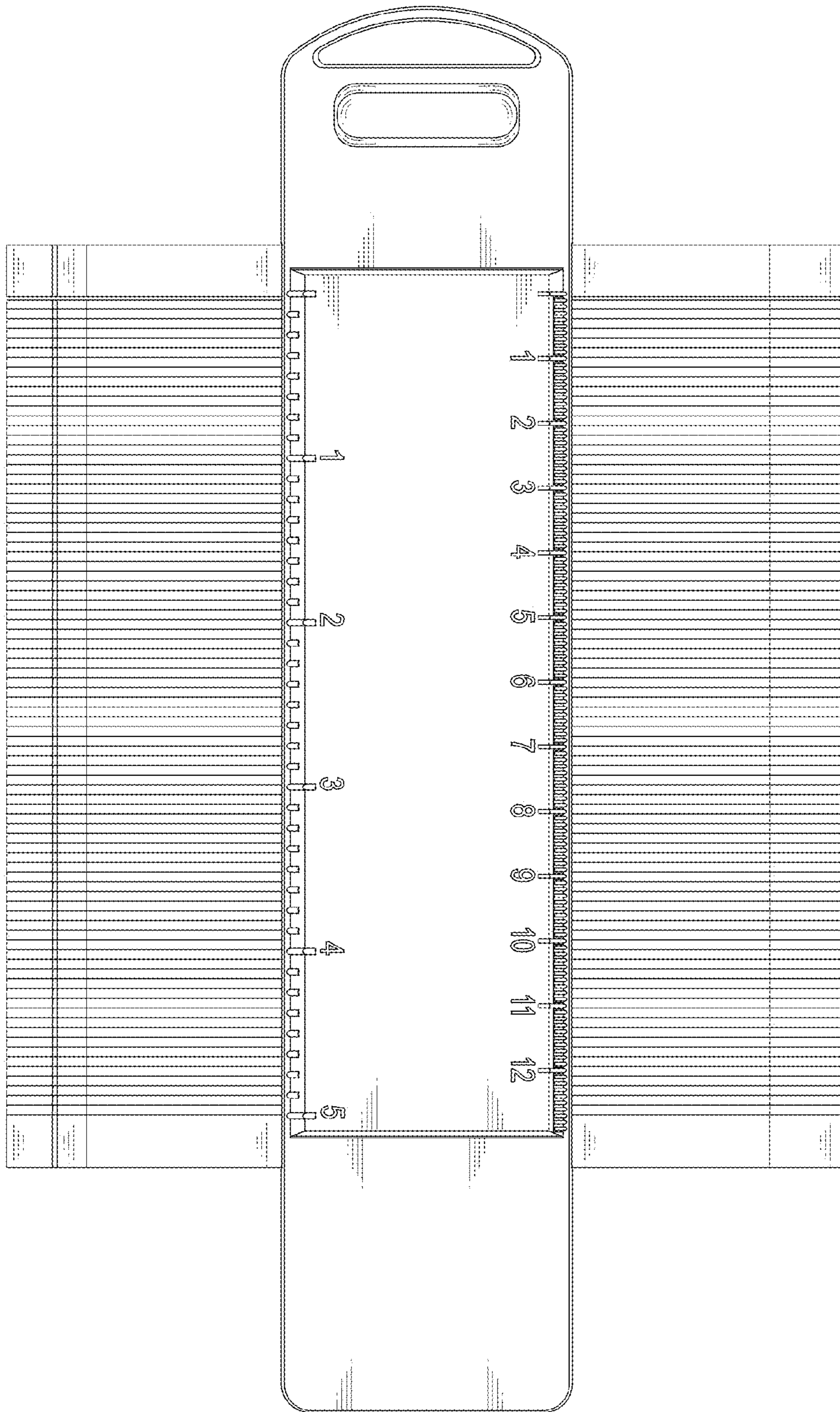


FIG.3

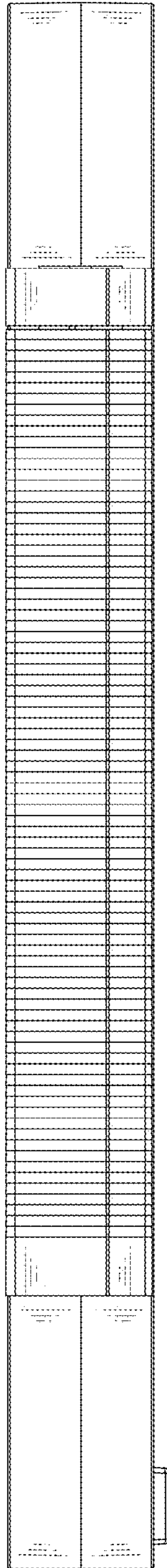


FIG.4

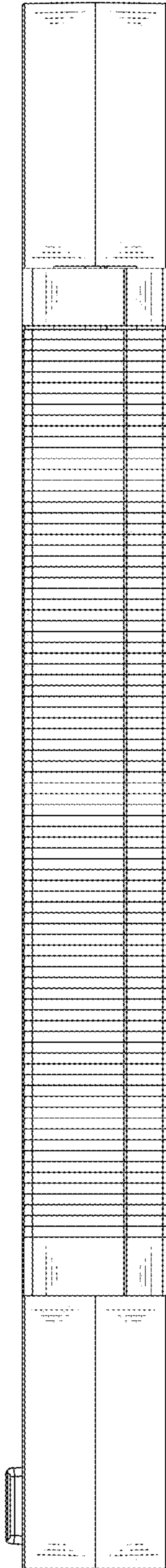


FIG.5

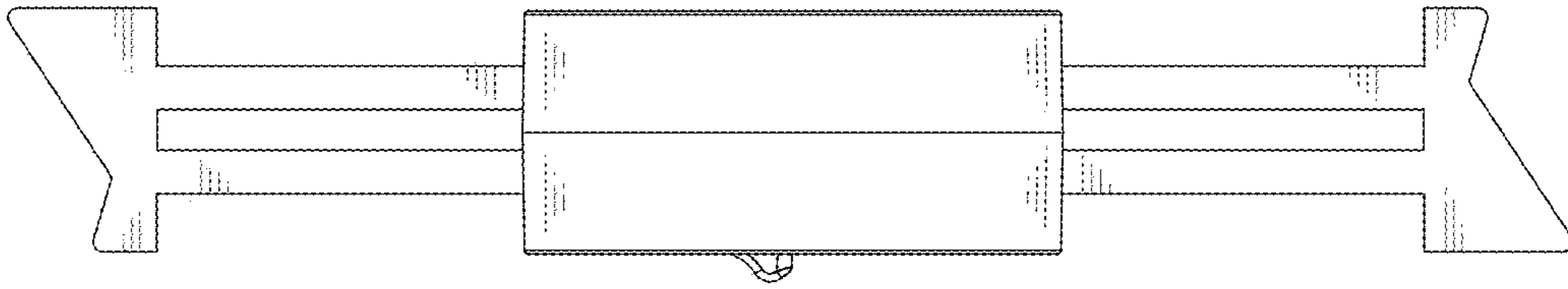


FIG.6

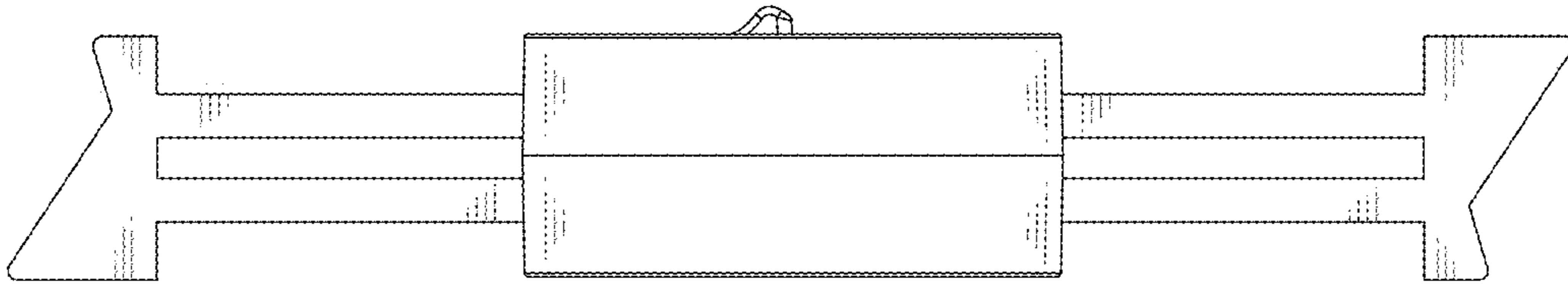


FIG.7

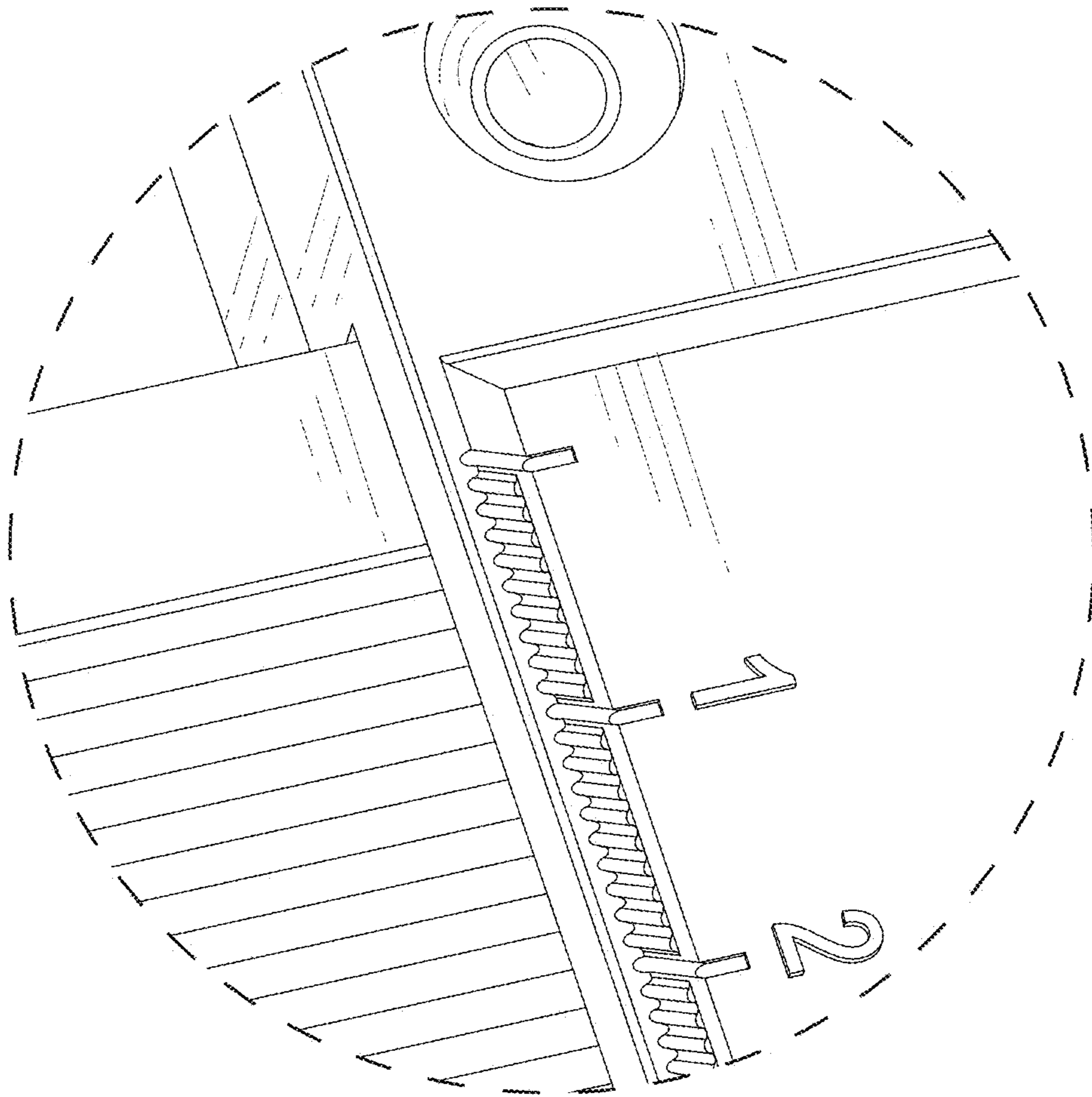


FIG.8