



US00D915911S

(12) **United States Design Patent**  
**Fu**

(10) **Patent No.:** **US D915,911 S**  
(45) **Date of Patent:** **\*\* Apr. 13, 2021**

(54) **CONTOUR GAUGE WITH LOCK**

(71) Applicant: **Hongxing Fu**, Zhejiang (CN)

(72) Inventor: **Hongxing Fu**, Zhejiang (CN)

(\*\*) Term: **15 Years**

(21) Appl. No.: **29/748,053**

(22) Filed: **Aug. 27, 2020**

(51) **LOC (13) Cl.** ..... **10-04**

(52) **U.S. Cl.**  
USPC ..... **D10/65**

(58) **Field of Classification Search**  
USPC ..... D8/99, 100, 105; D10/65  
CPC ... G01B 5/20; B25H 7/04; B28D 1/22; B28D 1/223; B28D 1/225; B28D 1/228; E04F 21/0076; E04F 21/18; E04F 21/20; Y10S 33/20

See application file for complete search history.

3,678,587 A \* 7/1972 Madden ..... G01B 5/28 33/561.1

D228,694 S 10/1973 Ritsi

D303,887 S 10/1989 Reid

D9,590 S 12/1994 Meador

D371,857 S 7/1996 Gismondi

D385,229 S 10/1997 Chan

D132,309 S 6/2002 Marletta

D172,262 S 1/2005 Fesmire

9,308,671 B2 \* 4/2016 Baro Cabrero ..... B28D 1/225

9,404,726 B2 \* 8/2016 Shu ..... G01B 5/207

9,808,962 B2 \* 11/2017 Moog ..... B28D 1/225

10,525,612 B2 \* 1/2020 Soler Balcells ..... B43L 7/027

D884,501 S \* 5/2020 Lei ..... G01B 5/20 D10/65

D885,212 S \* 5/2020 Fu ..... G01B 5/207 D10/65

2012/0266472 A1 \* 10/2012 Liza ..... E04F 21/0076 33/527

2015/0377601 A1 \* 12/2015 Shu ..... G01B 5/207 33/561.1

\* cited by examiner

*Primary Examiner* — Antoine Duval Davis

(56) **References Cited**  
U.S. PATENT DOCUMENTS

1,041,145 A \* 10/1912 Moss ..... G01B 5/207 33/561.1

1,261,438 A \* 4/1918 Reinhardt ..... G01B 5/20 33/561.1

2,615,256 A \* 10/1952 Olson ..... G01B 5/20 33/561.1

2,721,391 A \* 10/1955 Von Duyke ..... B44B 1/00 33/561.1

2,759,271 A \* 8/1956 Von Duyke ..... A61B 5/1077 33/561.1

2,949,674 A \* 8/1960 Wexler ..... G01B 5/20 33/561.1

3,419,965 A \* 1/1969 Madden ..... G01B 5/207 33/561.1

(57) **CLAIM**

The ornamental design for a contour gauge with lock, as shown and described.

**DESCRIPTION**

FIG. 1 is a perspective view of a contour gauge with lock showing my new design;

FIG. 2 is a front elevational view thereof;

FIG. 3 is a rear elevational view thereof;

FIG. 4 is a left side elevational view thereof;

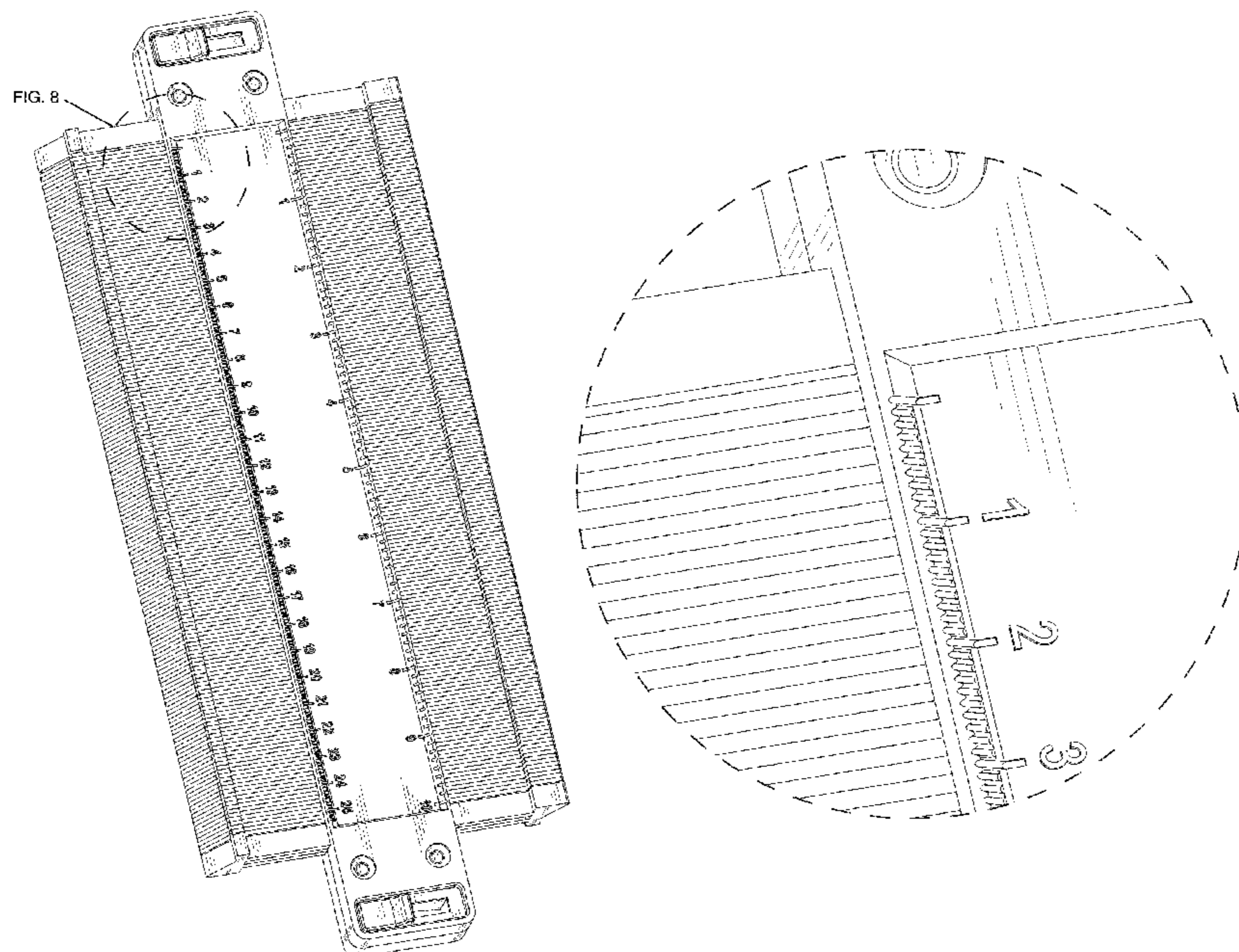
FIG. 5 is a right side elevational view thereof;

FIG. 6 is a top plan view thereof; and

FIG. 7 is a bottom plan view thereof; and,

FIG. 8 is an enlarged view thereof.

**1 Claim, 8 Drawing Sheets**



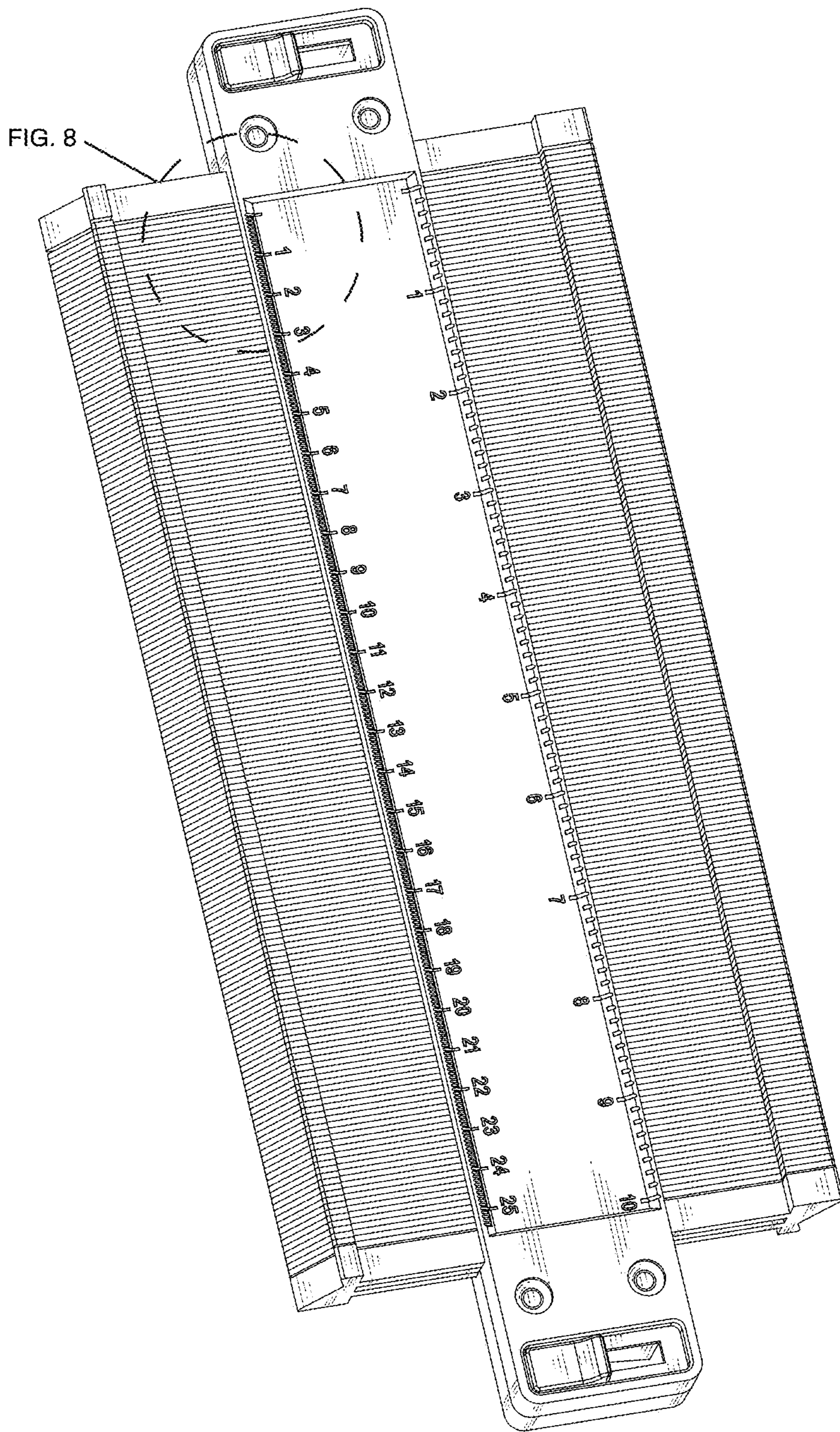


FIG.1

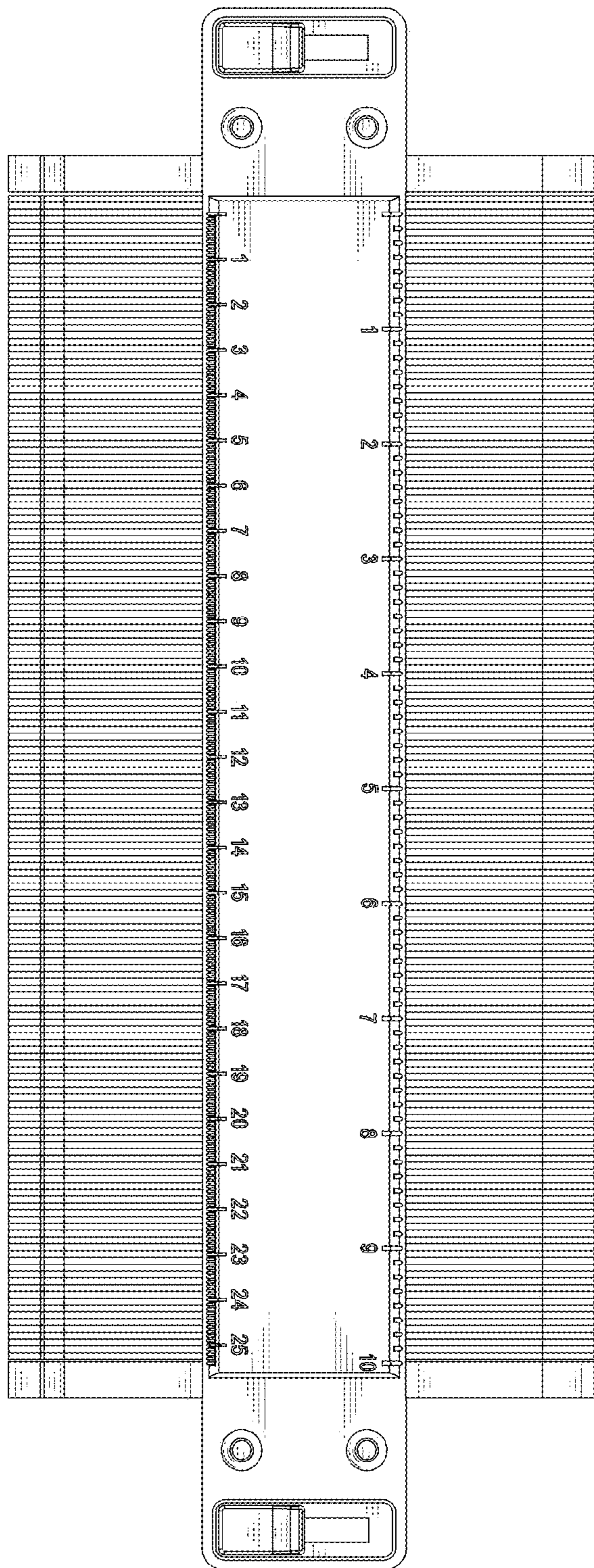


FIG.2

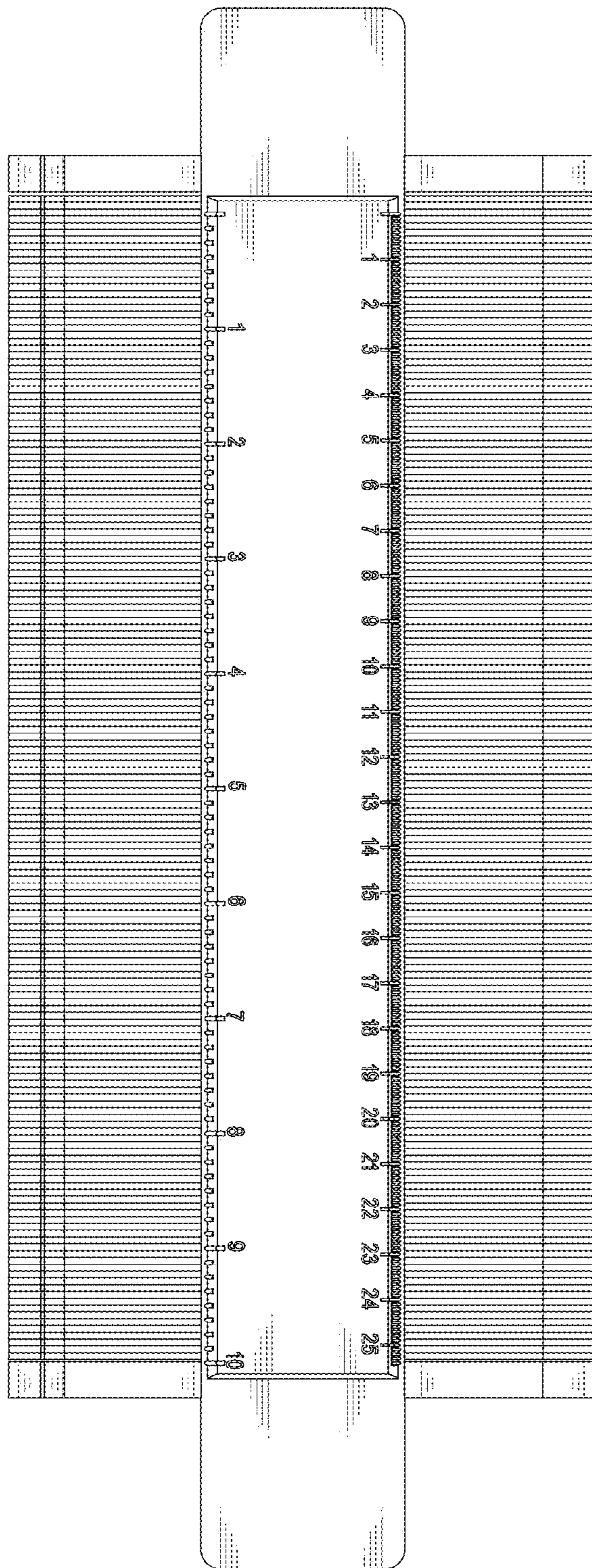


FIG.3

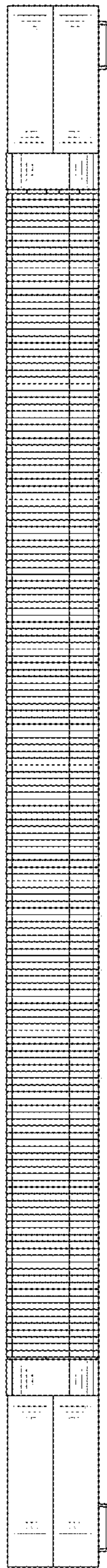


FIG.4

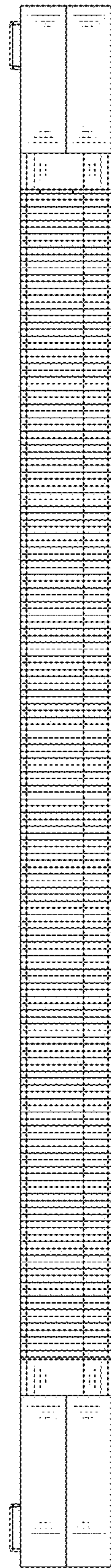


FIG.5

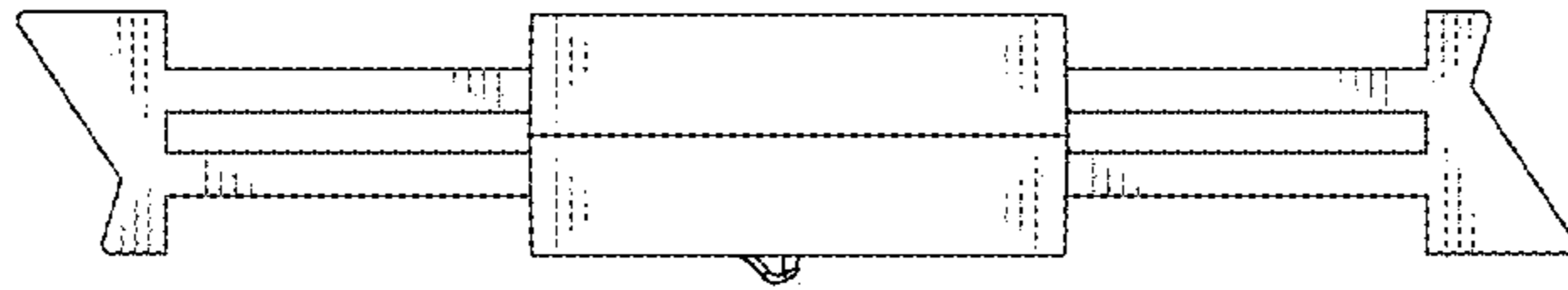


FIG.6

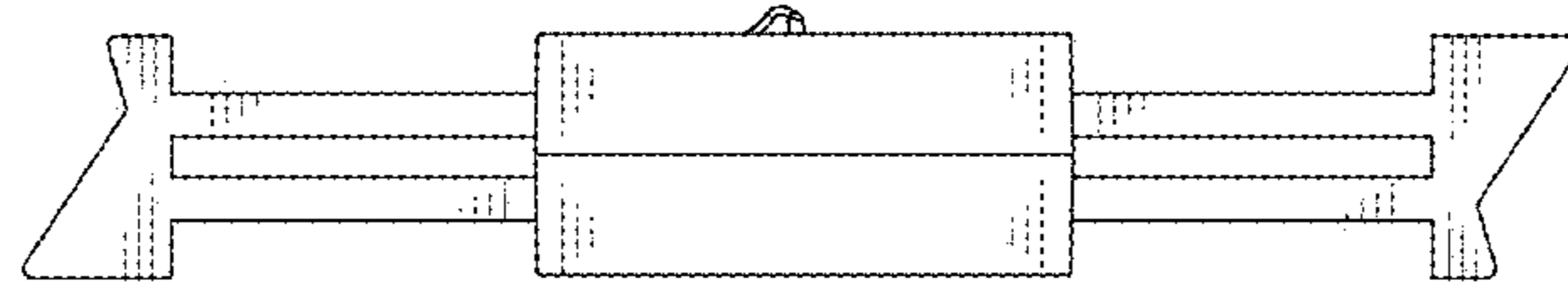


FIG.7



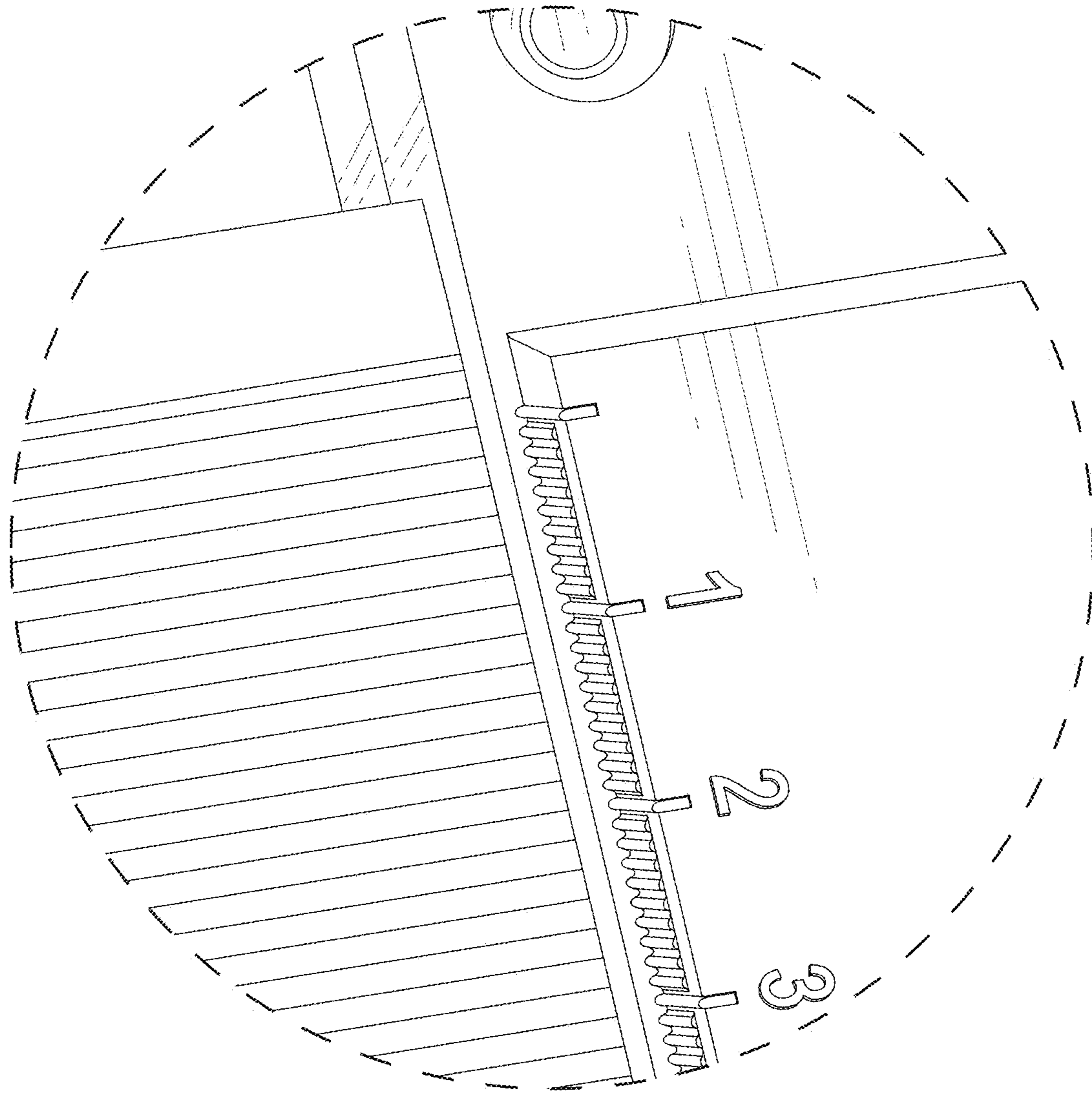


FIG.8