



US00D915910S

(12) **United States Design Patent** (10) **Patent No.:** **US D915,910 S**
Rowe et al. (45) **Date of Patent:** **** Apr. 13, 2021**

(54) **WATCH CASE**

- (71) Applicant: **Tiffany and Company**, New York, NY (US)
 (72) Inventors: **Ben Rowe**, New York, NY (US); **Soung Baeck**, New York, NY (US)
 (73) Assignee: **TIFFANY AND COMPANY**, New York, NY (US)
 (**) Term: **15 Years**

(21) Appl. No.: **29/693,221**

(22) Filed: **May 31, 2019**

(51) **LOC (13) Cl.** **10-02**

(52) **U.S. Cl.**
USPC **D10/39**

(58) **Field of Classification Search**

USPC D10/30-39, 40, 122-126, 128, 131-132;
 D11/3-6, 16, 40, 76, 79, 81, 87, 93-94
 CPC G04B 19/00; G04B 19/04; G04B 19/06;
 G04B 19/08; G04B 19/085; G04B 19/10;
 G04B 19/12; G04B 19/103; G04B
 19/106; G04B 37/1486; G04B 39/02;
 G04B 39/004; G04B 39/006; G04B
 47/00; G04B 47/04; G04B 47/042; G04B
 45/0061; G04B 45/0069; G04B 45/0076;
 G04G 19/06; A44C 5/00; A44C 5/0007;
 A44C 5/0053; A44C 5/0084; A44C
 5/145; A44C 5/00147

See application file for complete search history.

(56) **References Cited**

U.S. PATENT DOCUMENTS

D151,301 S	*	10/1948	Tuffo	D10/31
D250,809 S	*	1/1979	Perrin	D10/39
D286,753 S	*	11/1986	Loring	D10/39
D390,788 S	*	2/1998	Parmigiani	D10/30
D399,140 S	*	10/1998	Voegeli	D10/32

(Continued)

OTHER PUBLICATIONS

Design U.S. Appl. No. 29/700,566, filed Aug. 2, 2019; First named inventor—Zuckerman.

(Continued)

Primary Examiner — Katherine Glennon

(74) *Attorney, Agent, or Firm* — Fross, Zelnick, Lehrman & Zissu, PC; Charles T. J. Weigell, Esq.

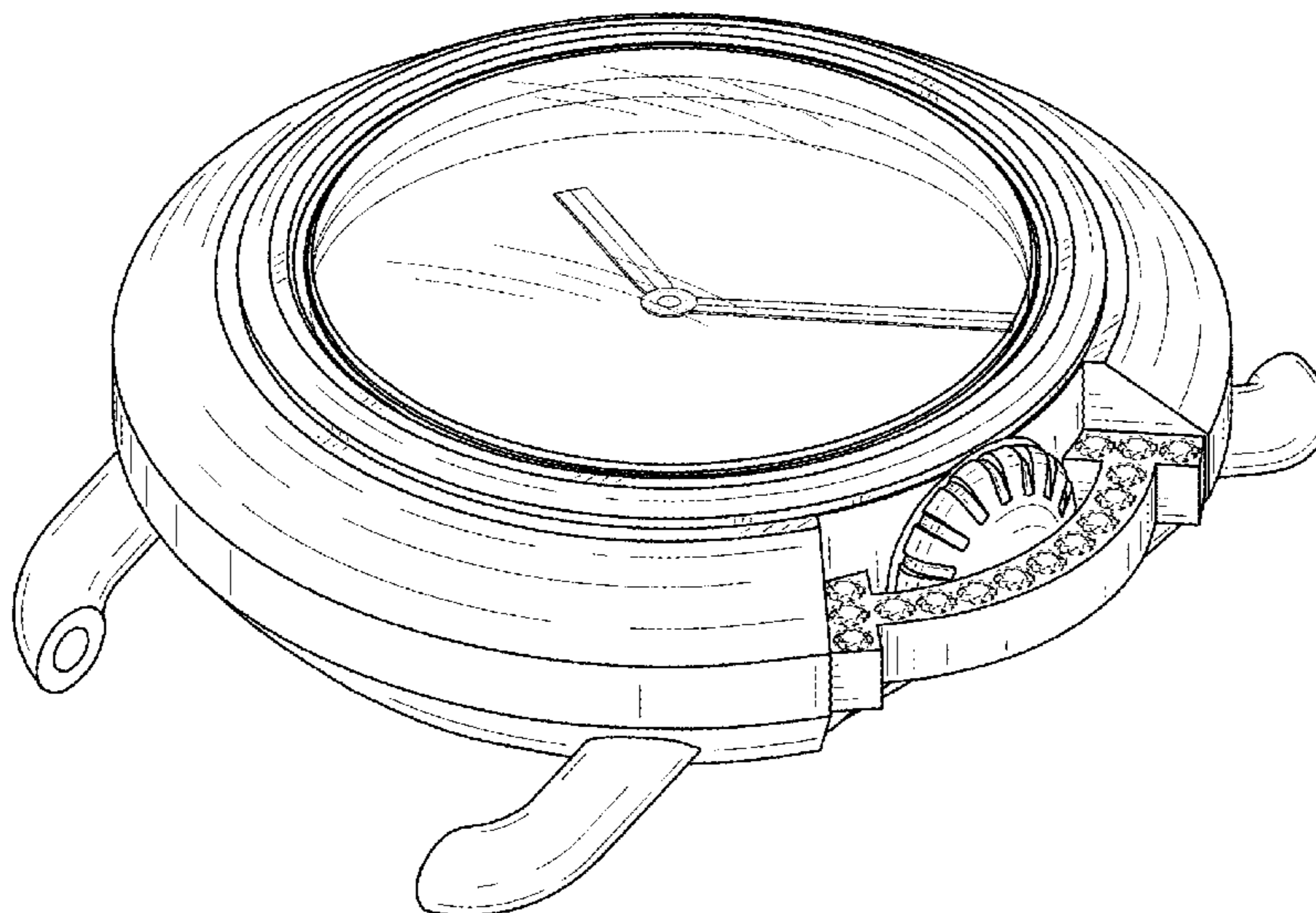
(57) **CLAIM**

The ornamental design for a watch case, as shown and described.

DESCRIPTION

FIG. 1 is a front perspective view of a first embodiment of a watch showing our my new design;
 FIG. 2 is a front view thereof;
 FIG. 3 is a rear view thereof;
 FIG. 4 is a right side view thereof;
 FIG. 5 is a left side view thereof;
 FIG. 6 is a top view thereof;
 FIG. 7 is a bottom view thereof;
 FIG. 8 is a front perspective view of a second embodiment of a watch showing our new design;
 FIG. 9 is a front view thereof;
 FIG. 10 is a rear view thereof;
 FIG. 11 is a right side view thereof;
 FIG. 12 is a left side view thereof;
 FIG. 13 is a top view thereof;
 FIG. 14 is a bottom view thereof;
 FIG. 15 is a front perspective view of a third embodiment of a watch showing our new design;
 FIG. 16 is a front view thereof;
 FIG. 17 is a rear view thereof;
 FIG. 18 is a right side view thereof;
 FIG. 19 is a left side view thereof;
 FIG. 20 is a top view thereof; and,
 FIG. 21 is a bottom view thereof.

1 Claim, 15 Drawing Sheets



(56)

References Cited

U.S. PATENT DOCUMENTS

D508,420 S * 8/2005 Aire D10/39
 D533,088 S * 12/2006 Bedat D10/39
 D546,713 S * 7/2007 Benatar D10/38
 D565,426 S * 4/2008 Rabassa D10/30
 D631,374 S * 1/2011 Hegi D10/38
 D664,449 S * 7/2012 Rabassa D10/39
 D729,074 S * 5/2015 Boulangeot D10/30
 D746,157 S * 12/2015 Babcock D10/30
 D757,591 S 5/2016 Amfitheatrof et al.
 D757,592 S 5/2016 Martensson et al.
 D762,514 S 8/2016 Amfitheatrof et al.
 D778,199 S 2/2017 Amfitheatrof et al.
 D778,761 S 2/2017 Amfitheatrof et al.
 D780,010 S 2/2017 Amfitheatrof et al.
 D780,033 S 2/2017 Duval
 D780,045 S 2/2017 Duval et al.
 D784,183 S 4/2017 Amfitheatrof et al.
 D784,841 S 4/2017 Amfitheatrof et al.
 D784,844 S 4/2017 Amfitheatrof et al.
 D784,845 S 4/2017 Amfitheatrof et al.
 D784,847 S 4/2017 Duval et al.
 D786,120 S 5/2017 Duval
 D786,121 S 5/2017 Duval
 D787,362 S 5/2017 Amfitheatrof et al.
 D800,595 S 10/2017 Amfitheatrof et al.
 D806,600 S 1/2018 Amfitheatrof et al.

D807,762 S * 1/2018 Sugiura D10/30
 D809,405 S * 2/2018 Bonati D10/38
 D811,930 S 3/2018 Amfitheatrof et al.
 D814,319 S * 4/2018 von Burg D10/39
 D824,275 S * 7/2018 Sivriere D11/35
 D827,477 S 9/2018 Amfitheatrof et al.
 D834,442 S 11/2018 Amfitheatrof et al.
 D847,004 S * 4/2019 Yoshida D10/38
 D867,166 S * 11/2019 Cabral D10/39
 D868,599 S * 12/2019 Cabral D10/39
 D869,962 S * 12/2019 Gurtner D10/39

OTHER PUBLICATIONS

Design U.S. Appl. No. 29/700,569, filed Aug. 2, 2019; First named inventor—Zuckerman.
 Design U.S. Appl. No. 29/700,570, filed Aug. 2, 2019; First named inventor—Zuckerman.
 Design U.S. Appl. No. 29/700,584, filed Aug. 2, 2019; First named inventor—Zuckerman.
 Design U.S. Appl. No. 29/693,214, filed May 31, 2019; First named inventor—Rowe.
 Design U.S. Appl. No. 29/713,251, filed Nov. 14, 2019; First named inventor—Quinters.
 Design U.S. Appl. No. 29/713,517, filed Nov. 15, 2019; First named inventor—Quinters.

* cited by examiner

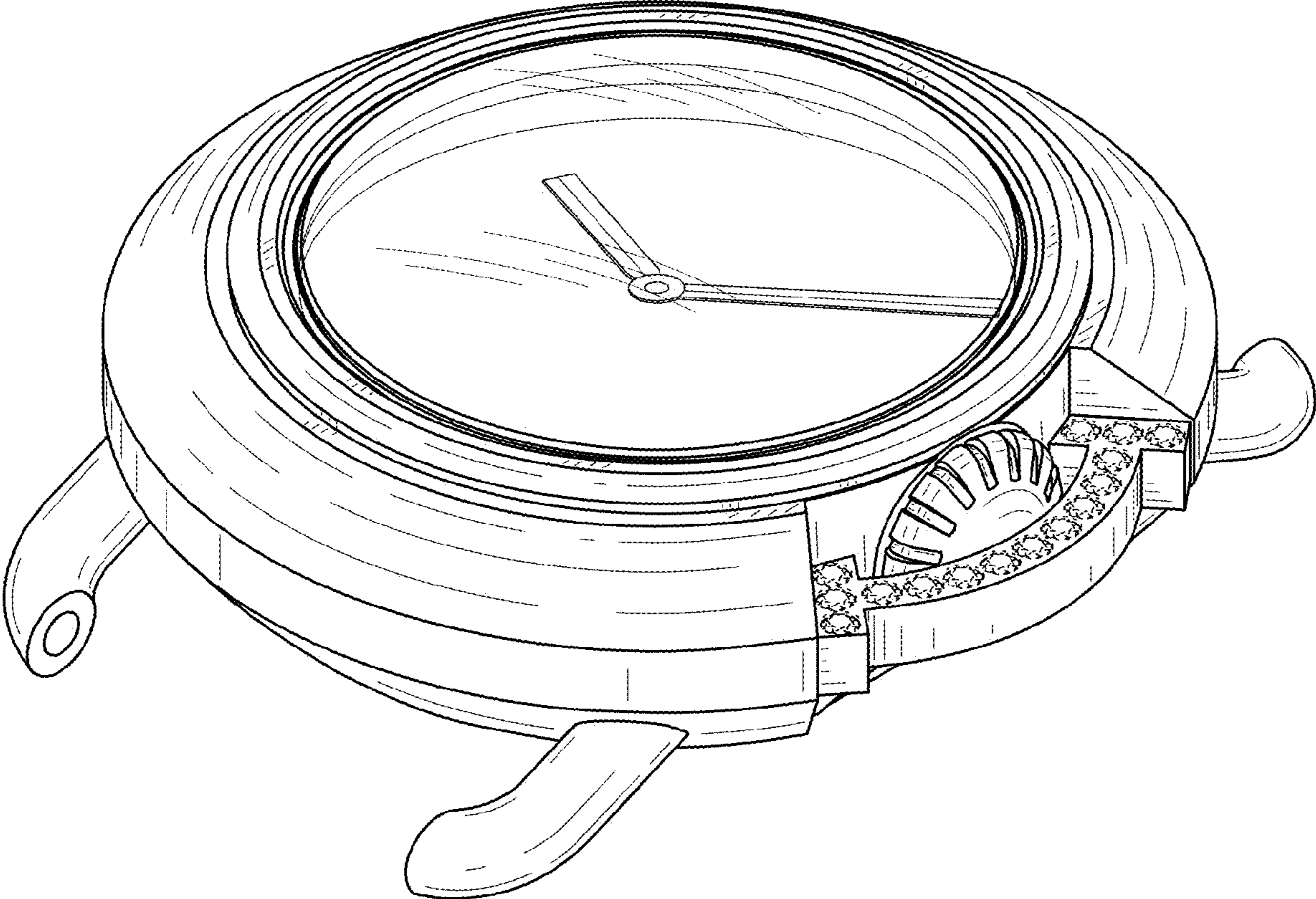


FIG. 1

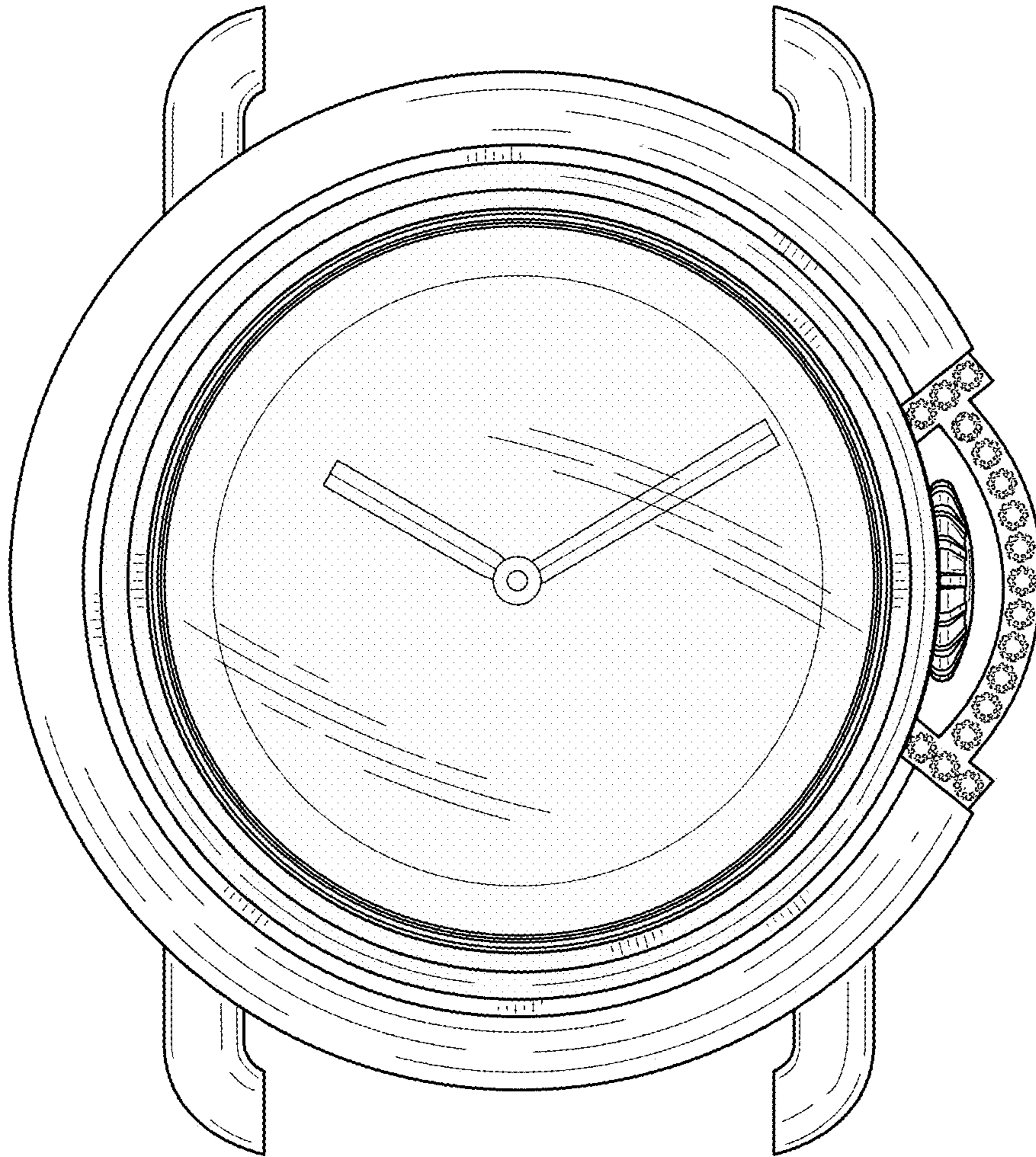


FIG. 2

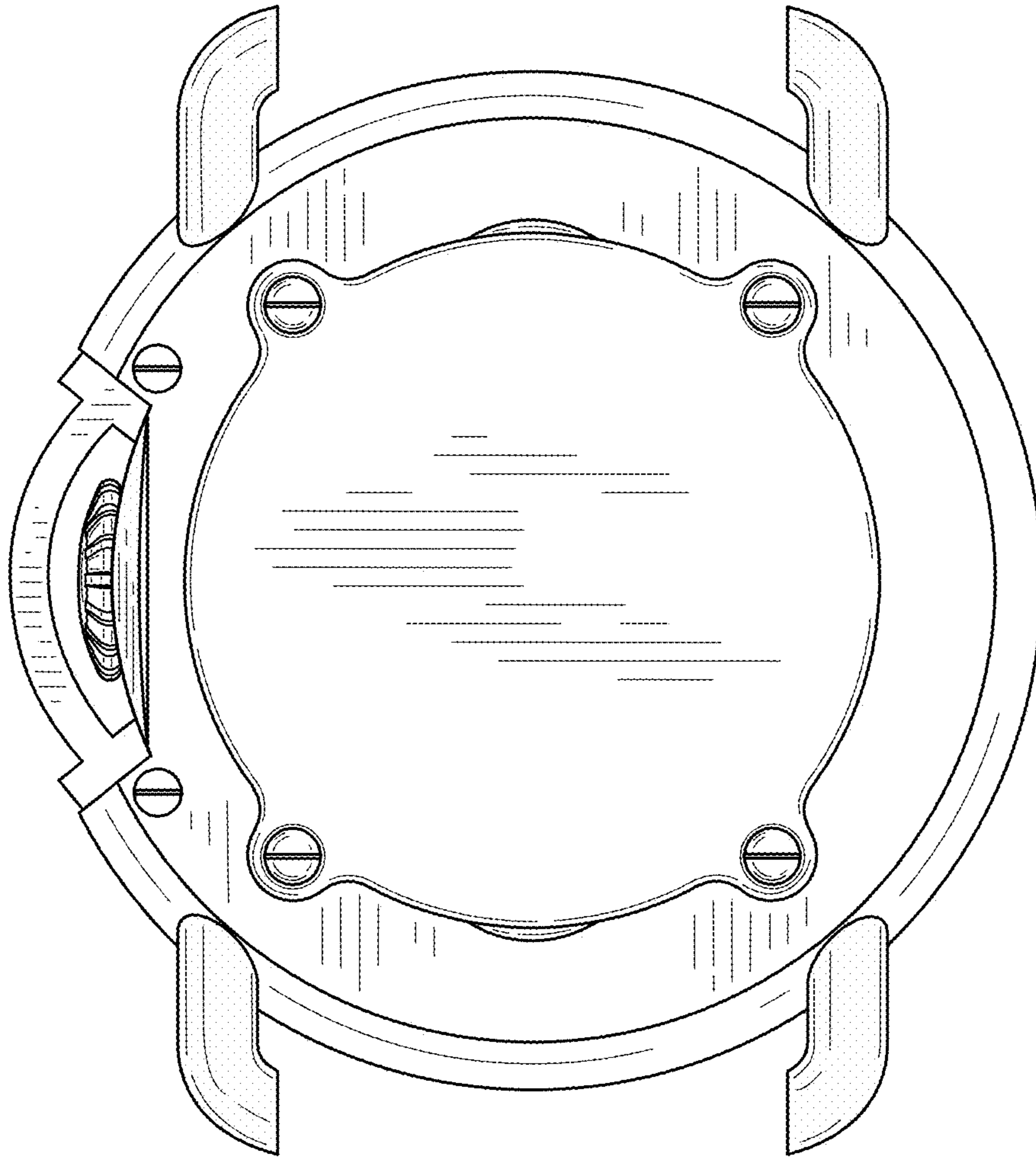


FIG. 3

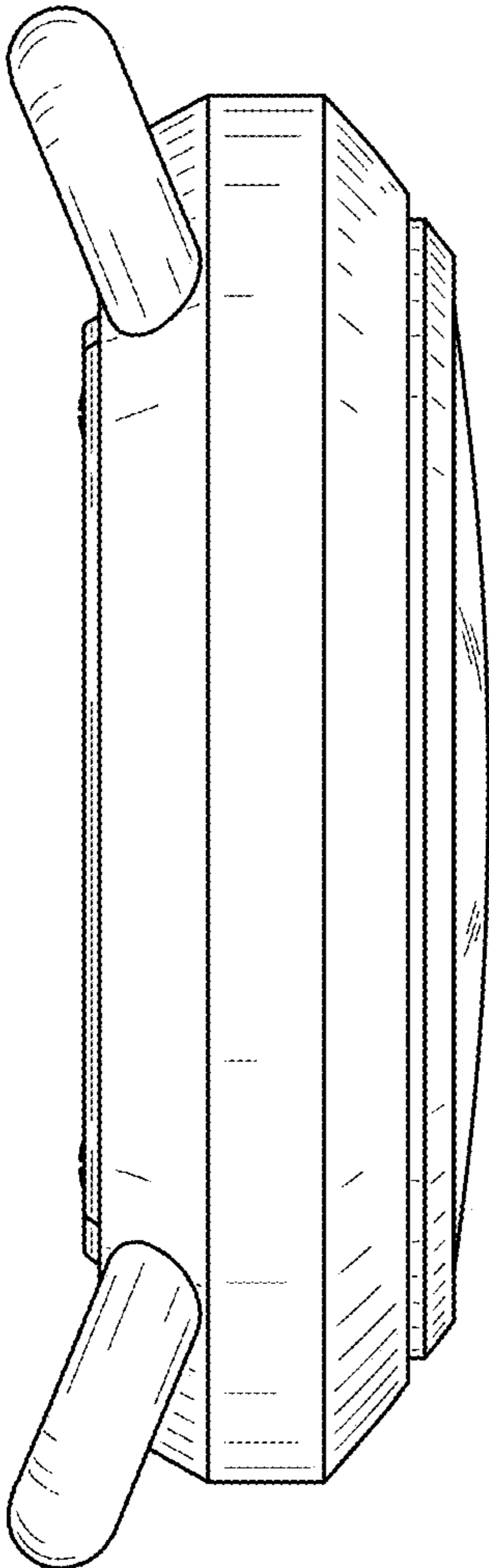


FIG. 4

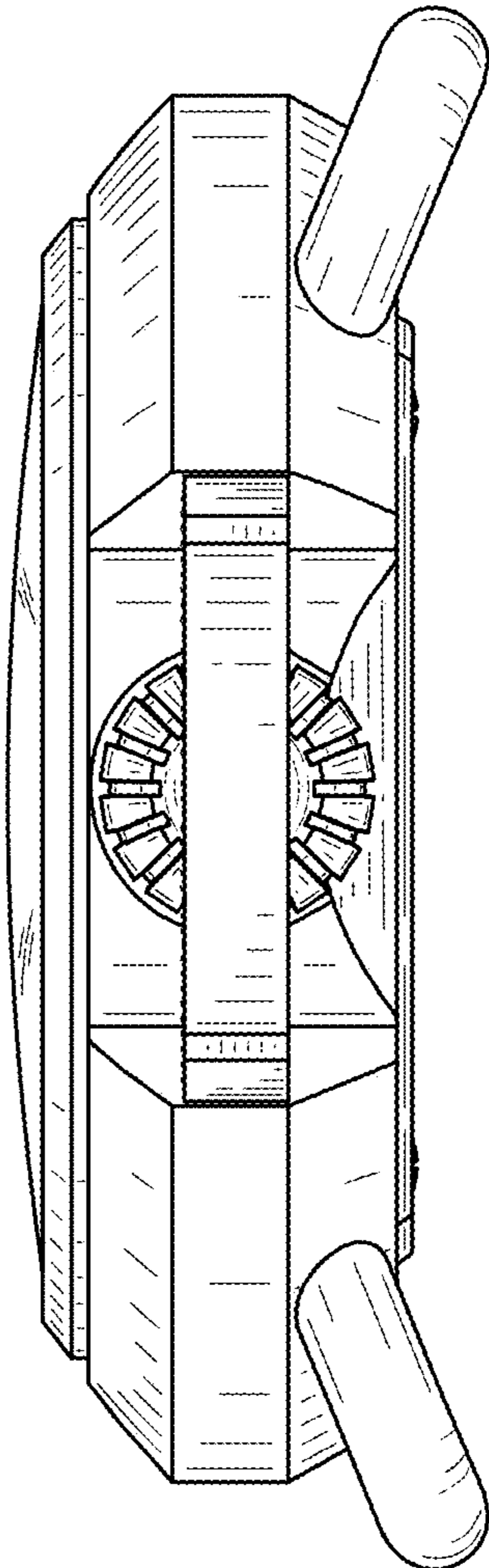


FIG. 5

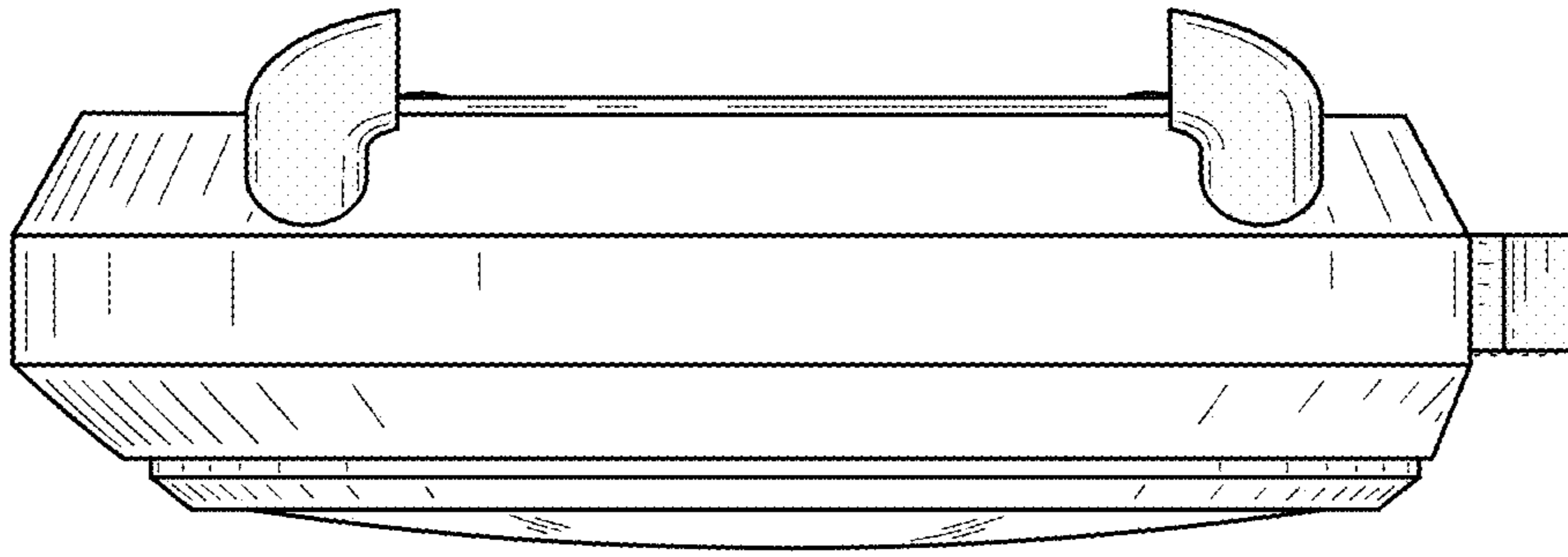


FIG. 6

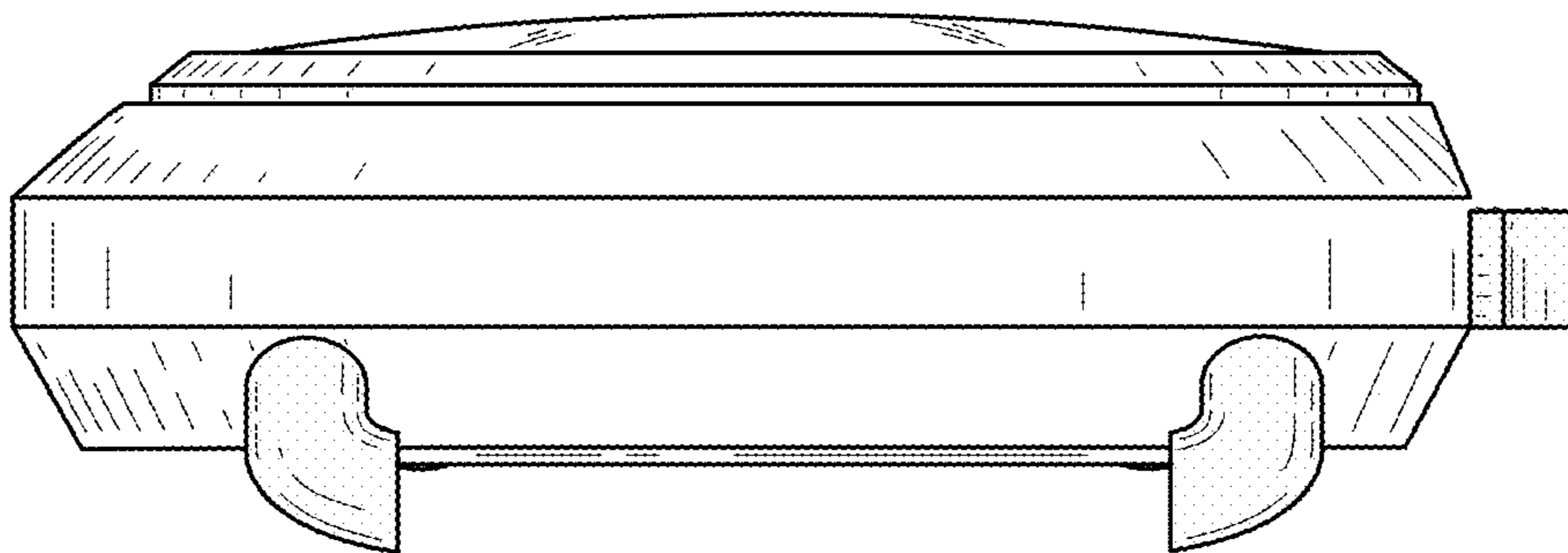


FIG. 7

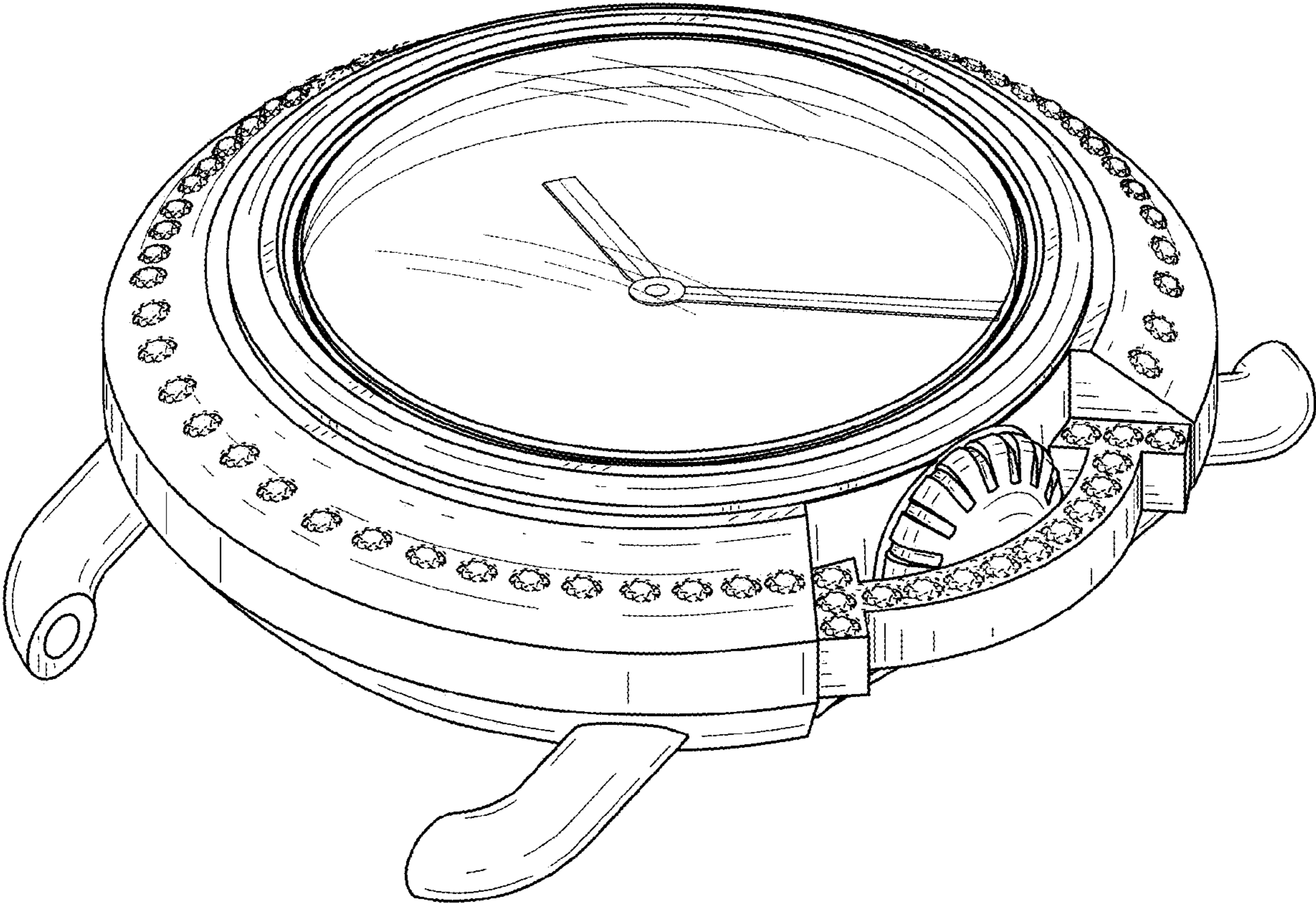


FIG. 8



FIG. 9

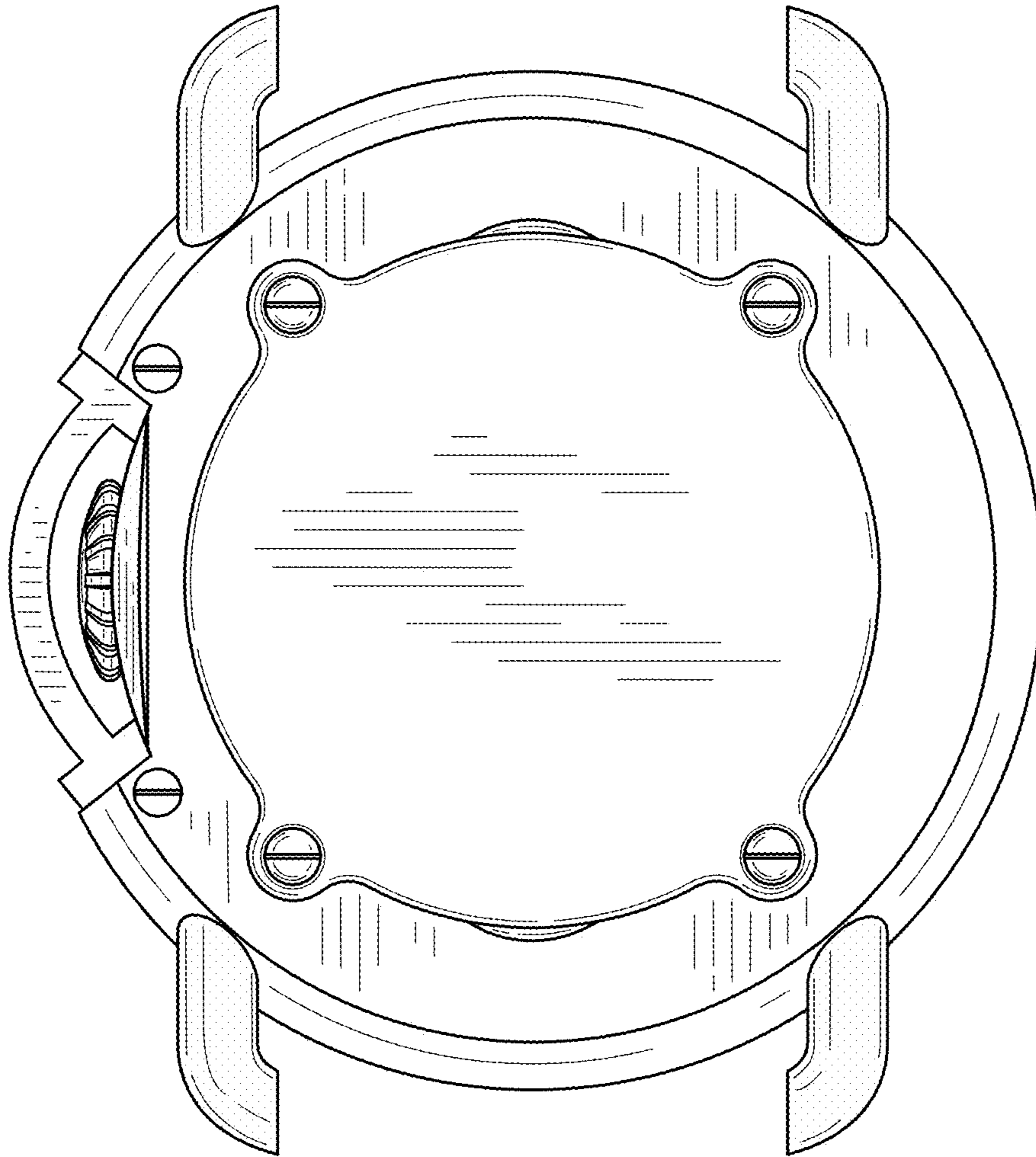


FIG. 10

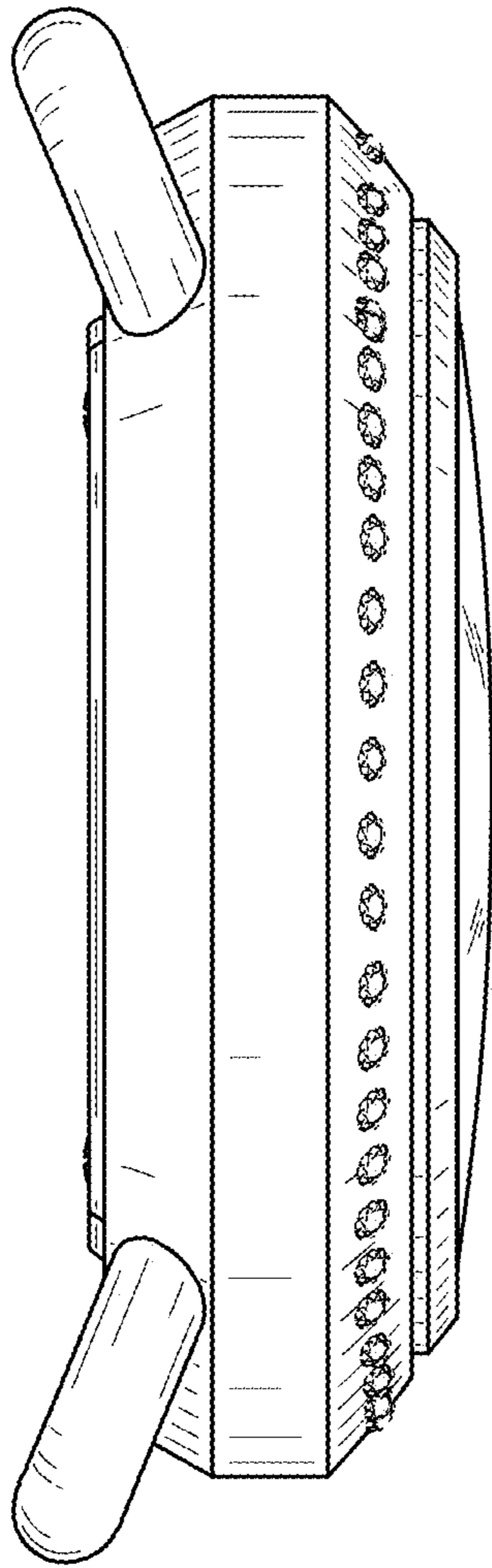


FIG. 11

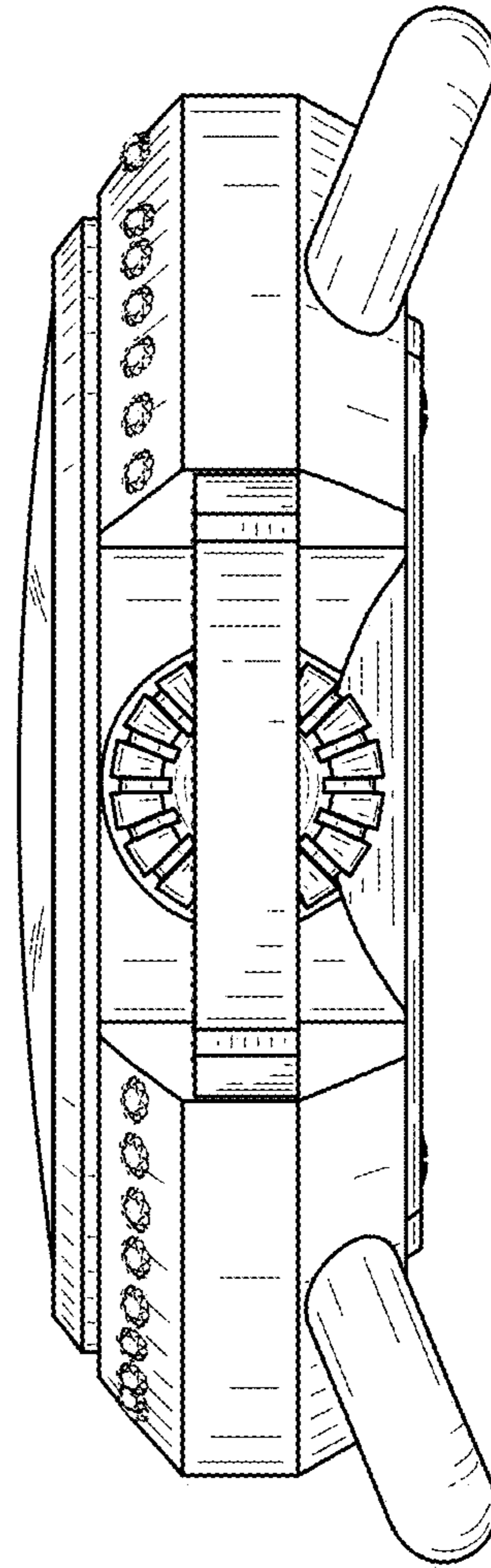


FIG. 12

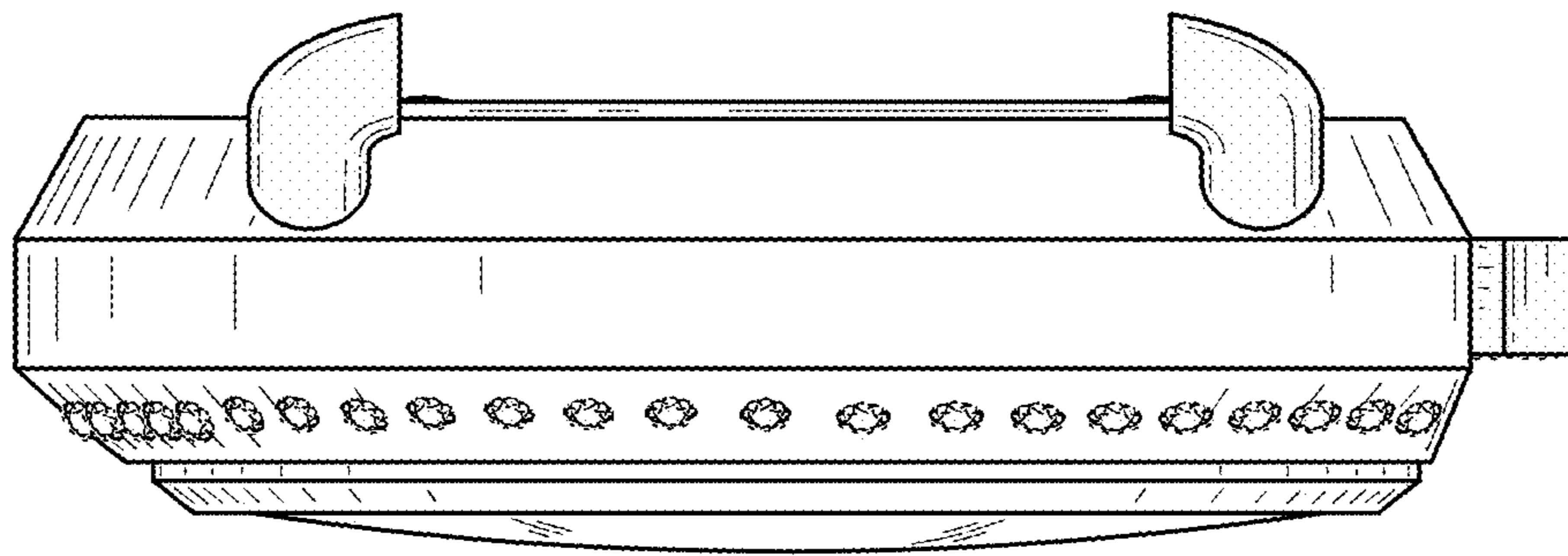


FIG. 13

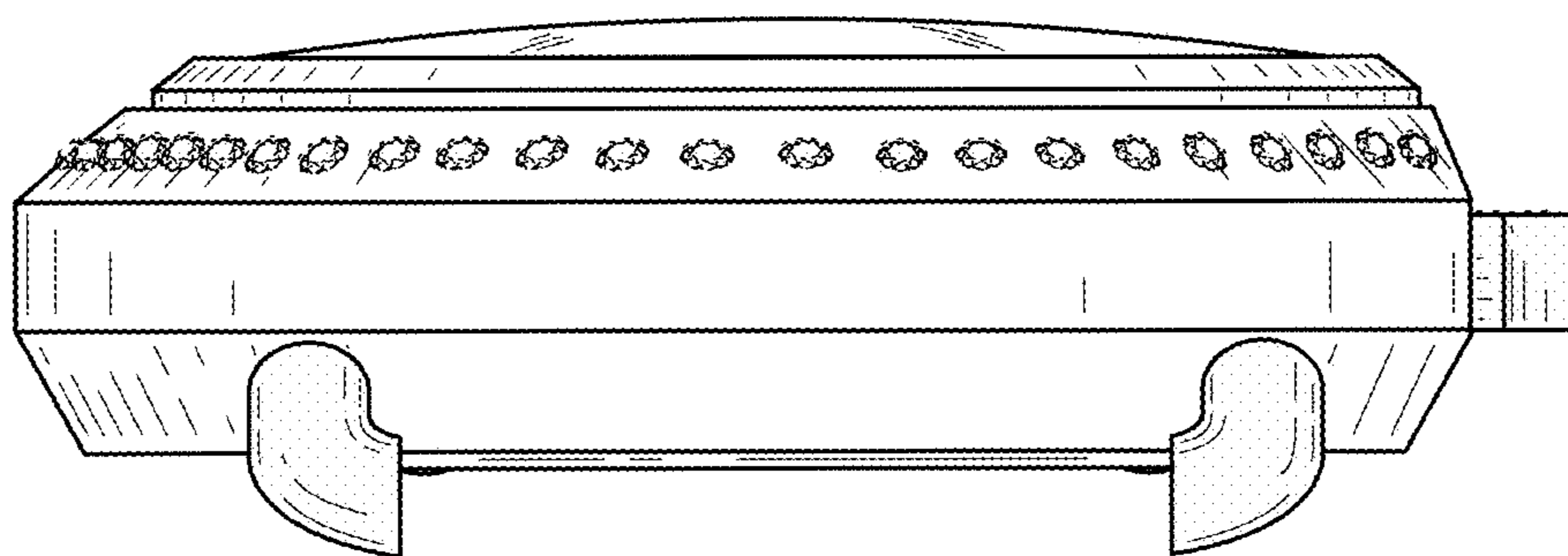


FIG. 14

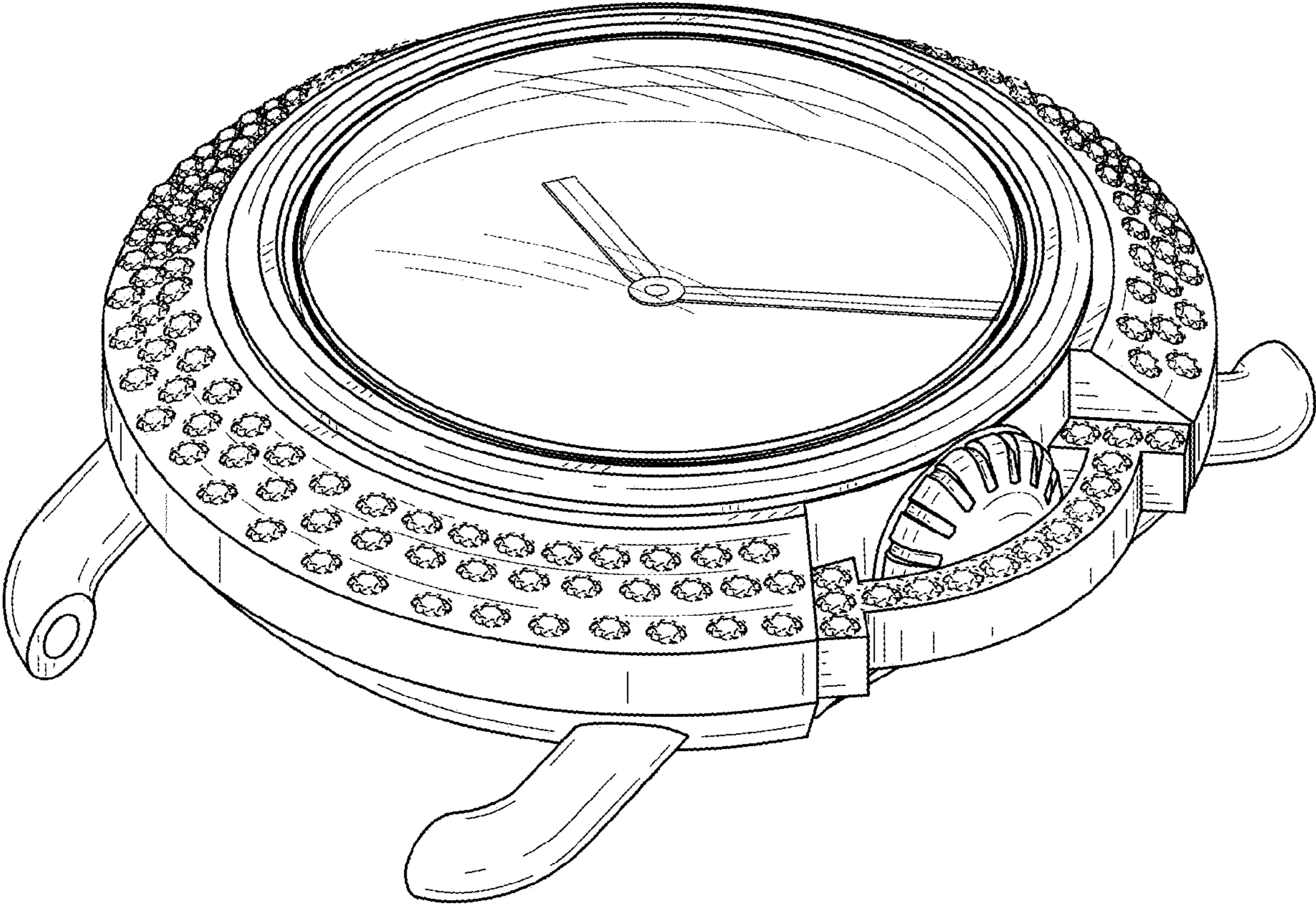


FIG. 15

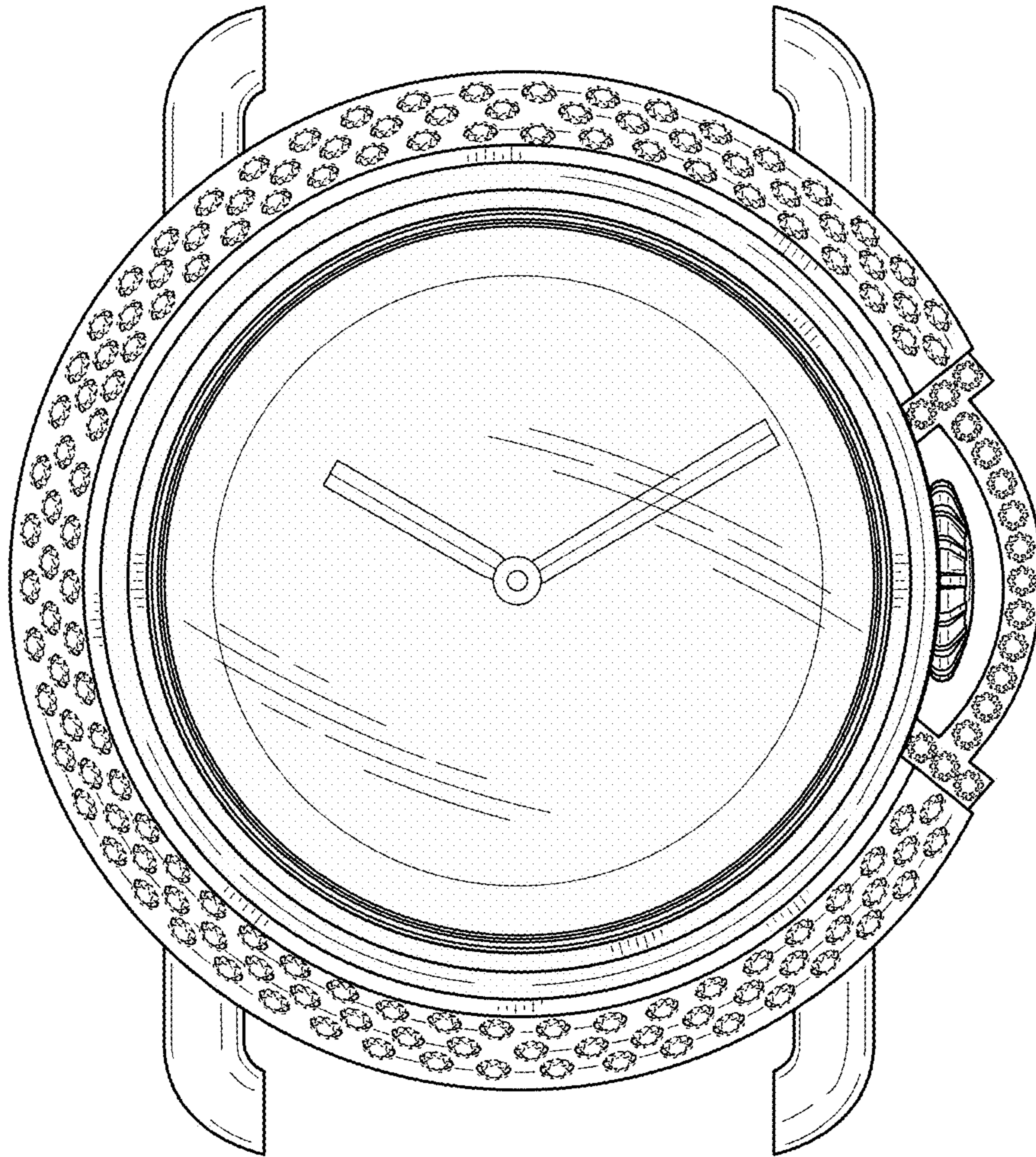


FIG. 16

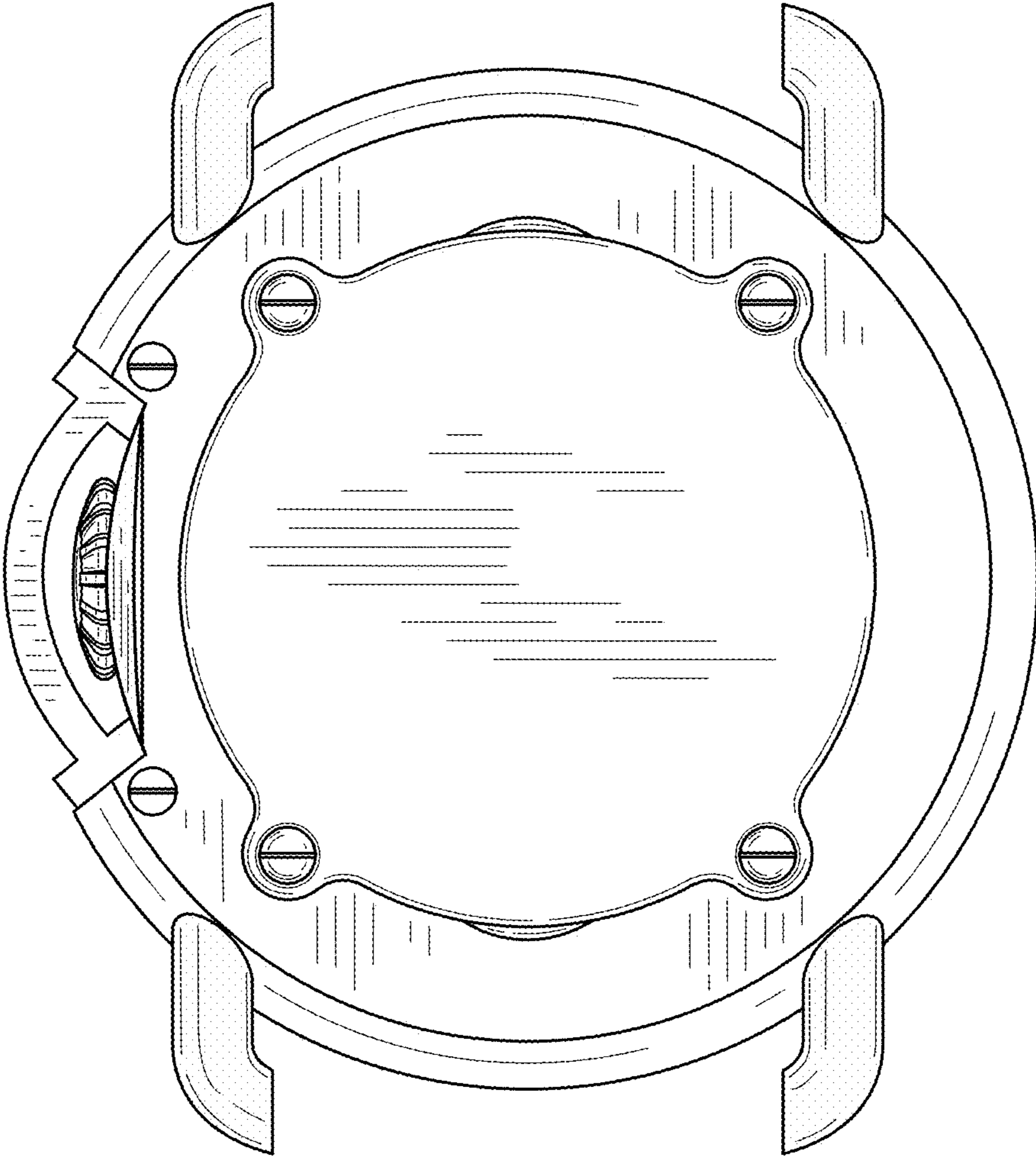


FIG. 17

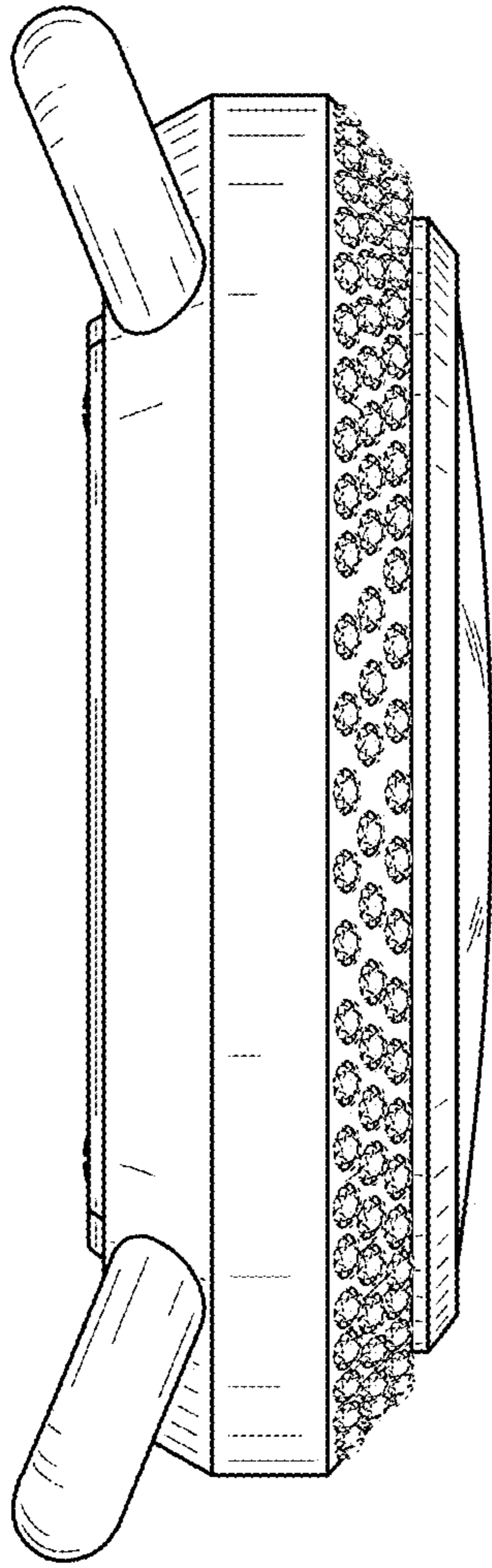


FIG. 18

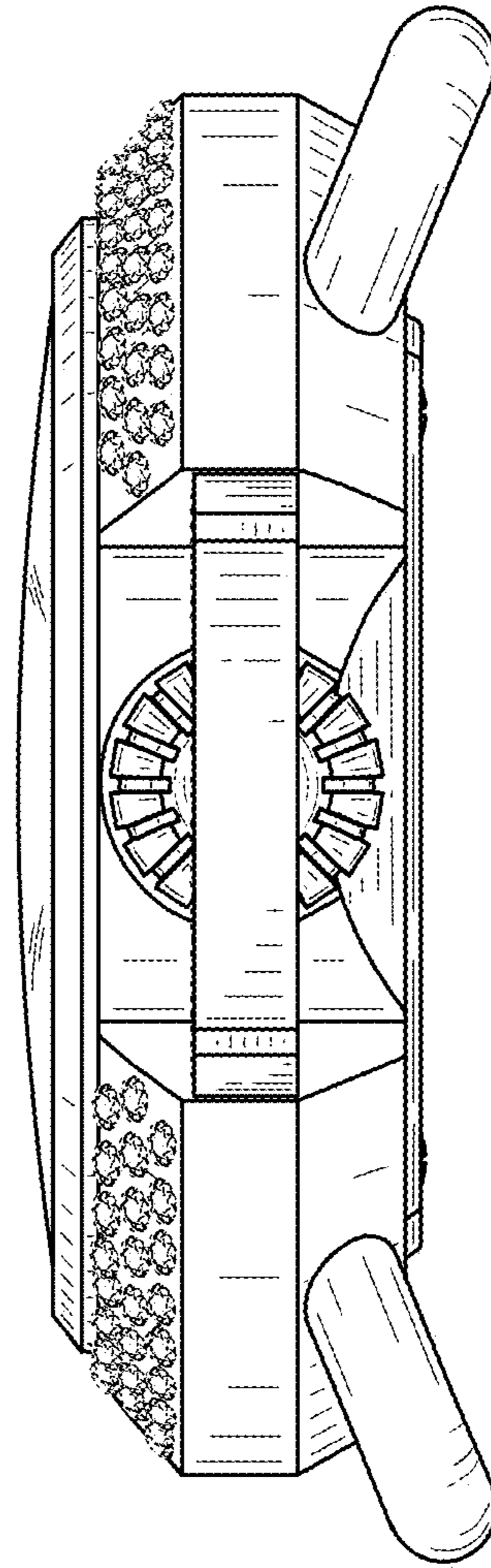


FIG. 19

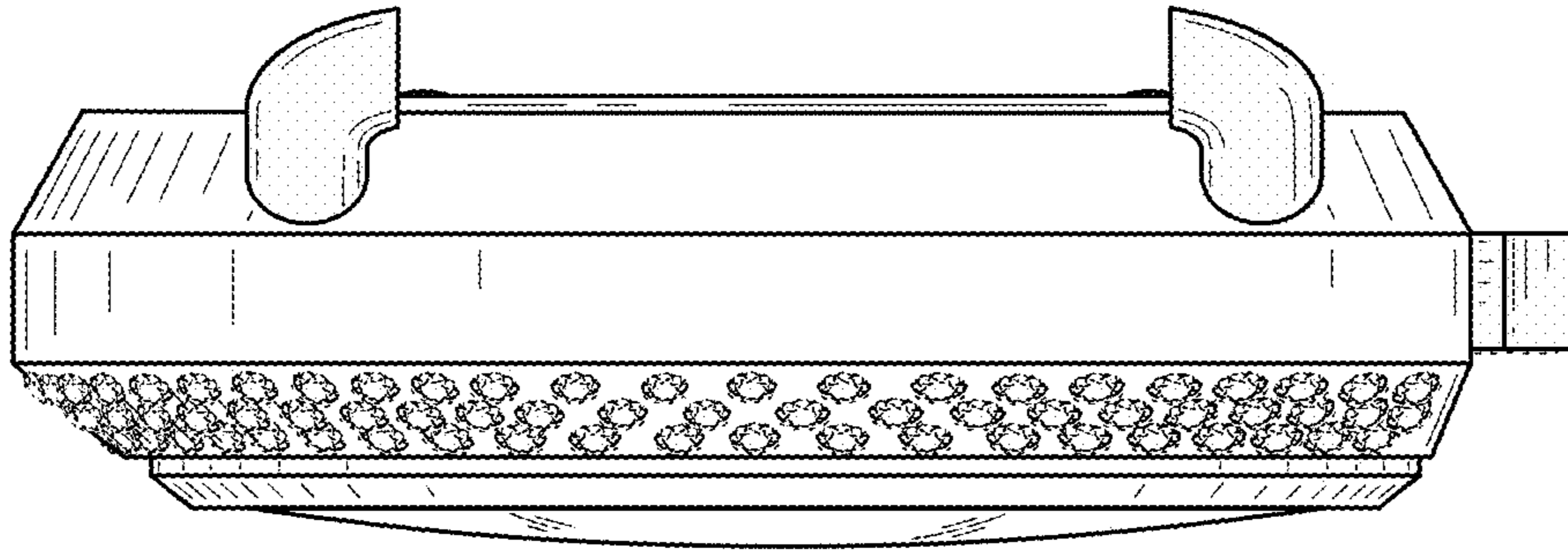


FIG. 20

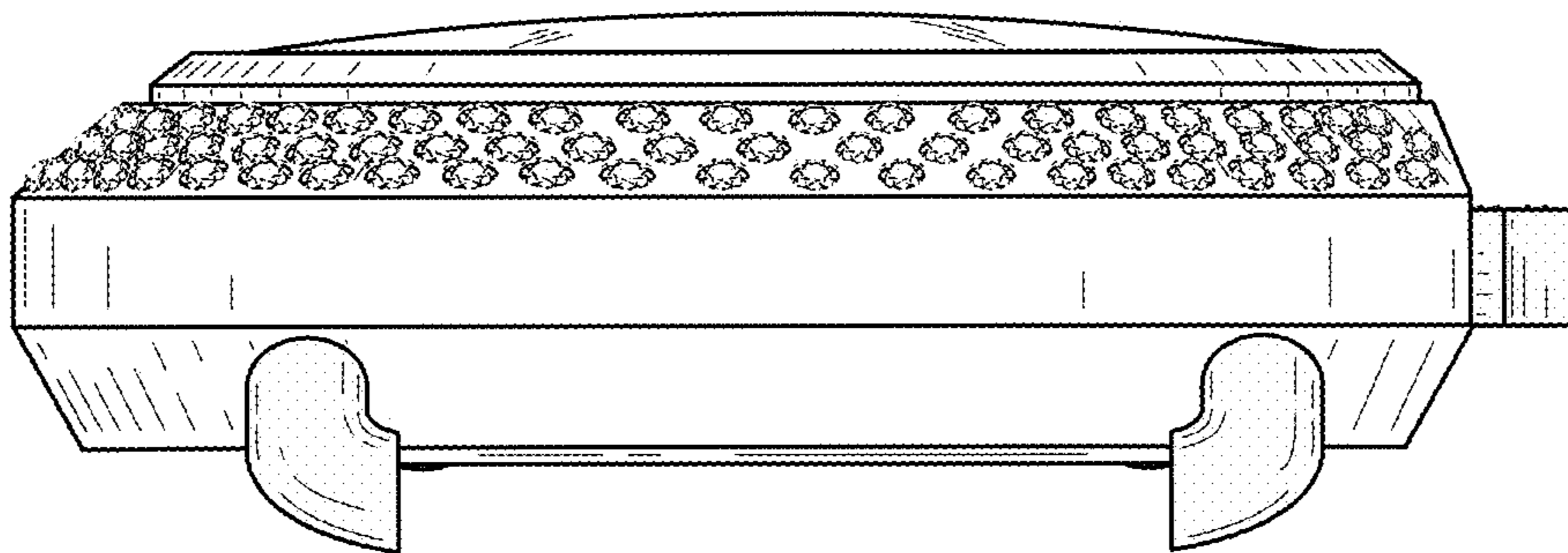


FIG. 21

UNITED STATES PATENT AND TRADEMARK OFFICE
CERTIFICATE OF CORRECTION

PATENT NO. : D915,910 S
APPLICATION NO. : 29/693221
DATED : April 13, 2021
INVENTOR(S) : Ben Rowe et al.

Page 1 of 1

It is certified that error appears in the above-identified patent and that said Letters Patent is hereby corrected as shown below:

On the Title Page

Please delete the word “my” from the FIG. 1 description.

Signed and Sealed this
Twenty-fifth Day of May, 2021



Drew Hirshfeld
*Performing the Functions and Duties of the
Under Secretary of Commerce for Intellectual Property and
Director of the United States Patent and Trademark Office*