



US00D915909S

(12) **United States Design Patent** (10) **Patent No.:** **US D915,909 S**
Michele (45) **Date of Patent:** **** Apr. 13, 2021**

(54) **WRISTWATCH**

(71) Applicant: **LUXURY GOODS INTERNATIONAL (L.G.I.) SA,**
Cortailod (CH)

(72) Inventor: **Alessandro Michele,** Rome (IT)

(73) Assignee: **LUXURY GOODS INTERNATIONAL (L.G.I.) SA,**
Cortailod (CH)

(**) Term: **15 Years**

(21) Appl. No.: **29/660,722**

(22) Filed: **Aug. 22, 2018**

(30) **Foreign Application Priority Data**

Mar. 12, 2018 (CH) 143843

(51) **LOC (13) Cl.** **10-02**

(52) **U.S. Cl.**
USPC **D10/39**

(58) **Field of Classification Search**
USPC D10/1-2, 22, 30-39, 40-41, 122-126,
D10/128, 129, 132

CPC G04B 19/00; G04B 19/02; G04B 19/025;
G04B 19/04; G04B 19/042; G04B
19/044; G04B 19/046; G04B 19/23;
G04B 19/18; G04B 19/06; G04B 19/065;
G04B 19/08; G04B 19/082; G04B
19/085; G04B 19/087; G04B 19/10;
G04B 19/103; G04B 19/106; G04B
19/12; G04B 19/166; G04B 19/20; G04B
19/22; G04B 19/262; G04B 19/264;
G04B 37/00; G04B 37/008; G04B 45/00;
G04B 45/0069; G04B 45/0076; G04B
47/00; G04B 47/048; G04B 5/04; G04B
5/06; G04B 5/08; G04B 5/10; G04B
5/12; G04B 5/14; G04B 5/16; G04B
5/18; G04B 19/223; G04B 19/283; G09B
19/12; G07C 1/28; G04F 7/0861

See application file for complete search history.

(56) **References Cited**

U.S. PATENT DOCUMENTS

D248,223 S * 6/1978 Sulek D10/38
D453,299 S * 2/2002 Bach D10/39
D455,081 S * 4/2002 Bach D10/32
D533,088 S * 12/2006 Bedat D10/39

(Continued)

OTHER PUBLICATIONS

A concise History of the Quartz Revolution | posted by Joe Thompson at Hodinkee.com Oct. 2017; watch circa 1970s [online]. © 2009-2020, HODINKEE INC [retrieved Jul. 3, 2020] from Internet: <<https://www.hodinkee.com/articles/four-revolutions-quartz-revolution>> (Year: 2017).*

Primary Examiner — Katherine Glennon

(74) *Attorney, Agent, or Firm* — Sughrue Mion, PLLC

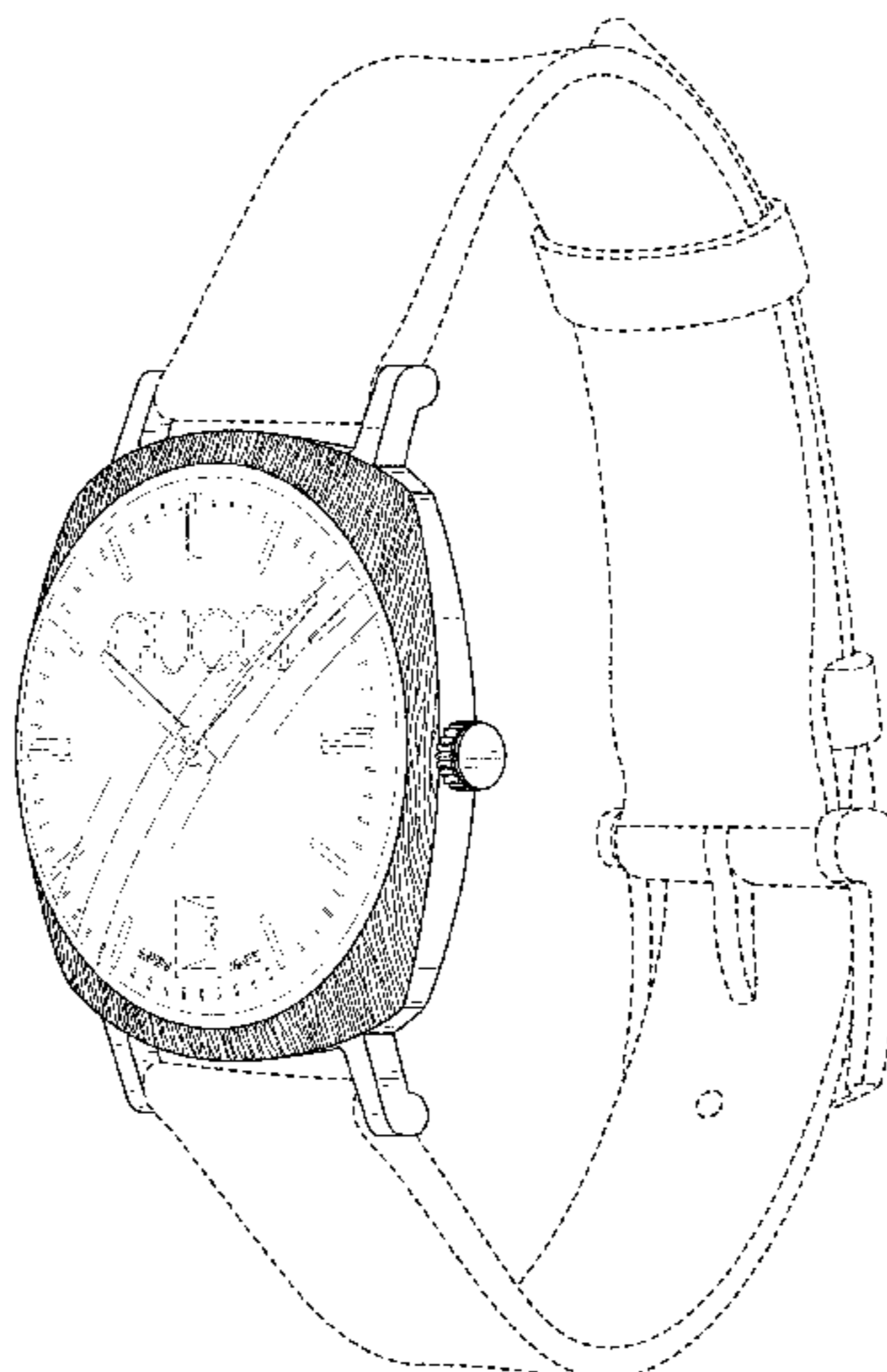
(57) **CLAIM**

The ornamental design for a wristwatch, as shown and described.

DESCRIPTION

FIG. 1 is a perspective view of the front and right side of a wristwatch showing my new design;
FIG. 2 is a front elevational view thereof;
FIG. 3 is a rear elevational view thereof;
FIG. 4 is a left side perspective view thereof;
FIG. 5 is a right side perspective view thereof;
FIG. 6 is a top perspective view thereof; and,
FIG. 7 is a bottom perspective view thereof.
The broken lines showing portions of the wristwatch illustrate environmental structure only and form no part of the claimed design. The Figures, such as specifically in FIG. 1 and FIG. 2, illustrate the trademark "GUCCI," to Gucci America, Inc., forming part of the claimed design.

1 Claim, 7 Drawing Sheets



(56)

References Cited

U.S. PATENT DOCUMENTS

D555,519 S	*	11/2007	Borraccino	D10/39
D624,834 S	*	10/2010	Modolo	D10/39
D627,242 S	*	11/2010	Jeanneret	D10/39
D697,823 S	*	1/2014	Mijatovic	D10/32
D712,755 S	*	9/2014	Stegmann	D10/38
D717,669 S	*	11/2014	Tak	D10/38
D729,075 S	*	5/2015	Delhotal	D10/126
D740,696 S	*	10/2015	Monachon	D10/39
D764,318 S	*	8/2016	Kauffmann	D10/30
D782,336 S	*	3/2017	White	D10/39
D782,337 S	*	3/2017	White	D10/39
D792,247 S	*	7/2017	Davoli	D10/30
D797,577 S	*	9/2017	Kauffmann	D10/30
D804,968 S	*	12/2017	Rabassa	D10/38
D818,375 S	*	5/2018	Michele	D10/30
D864,764 S	*	10/2019	Becca	D10/39

* cited by examiner

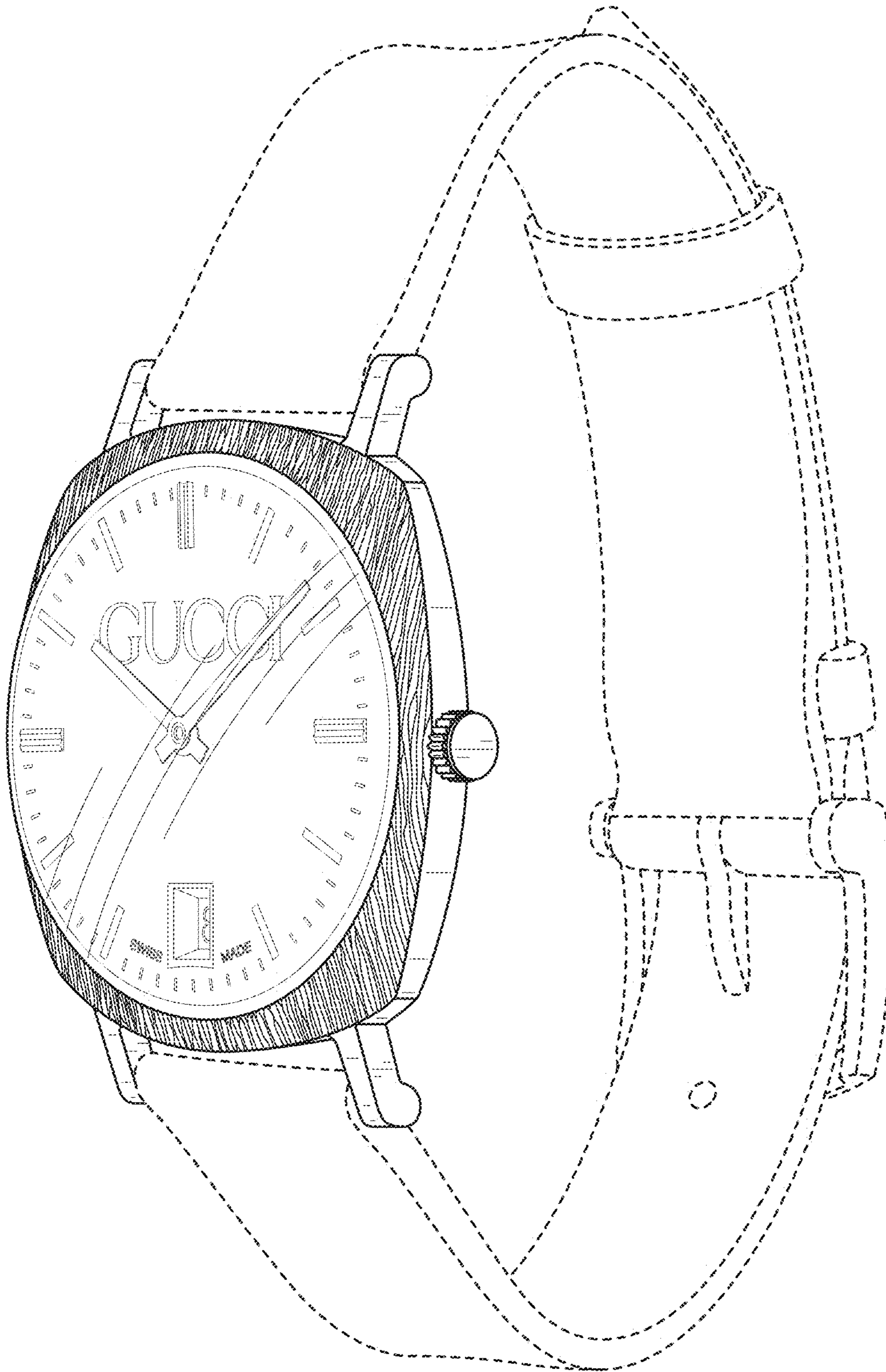


FIG. 1

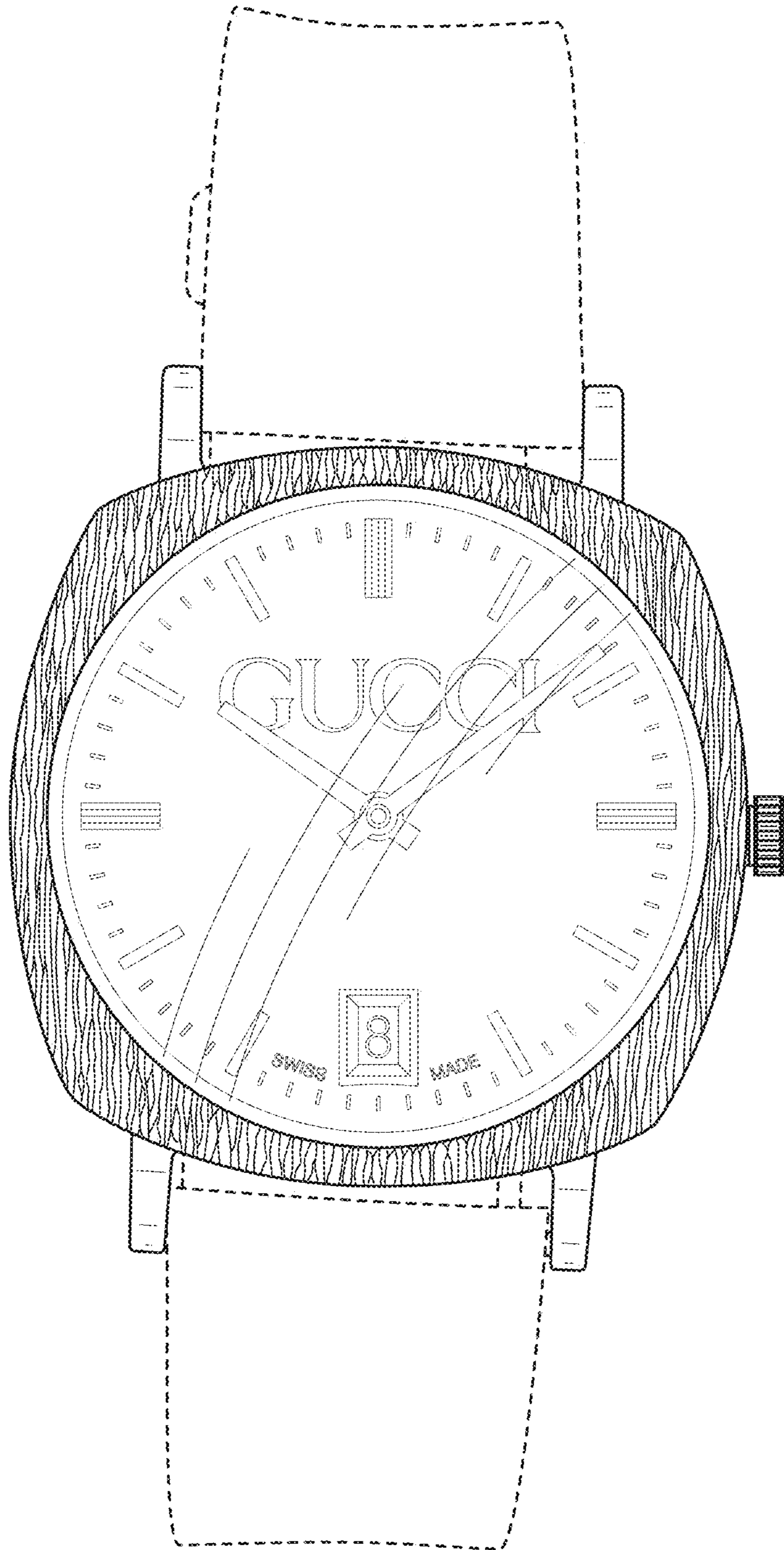
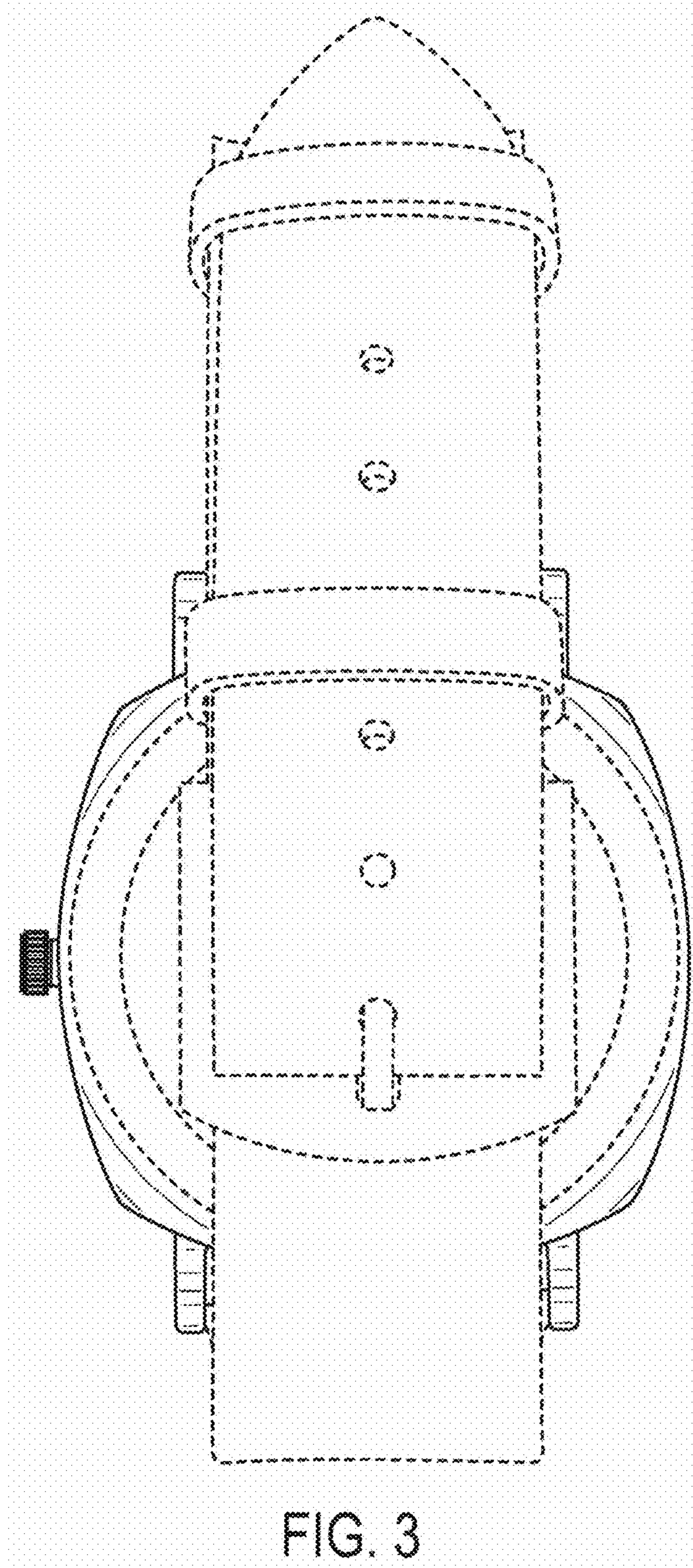


FIG. 2



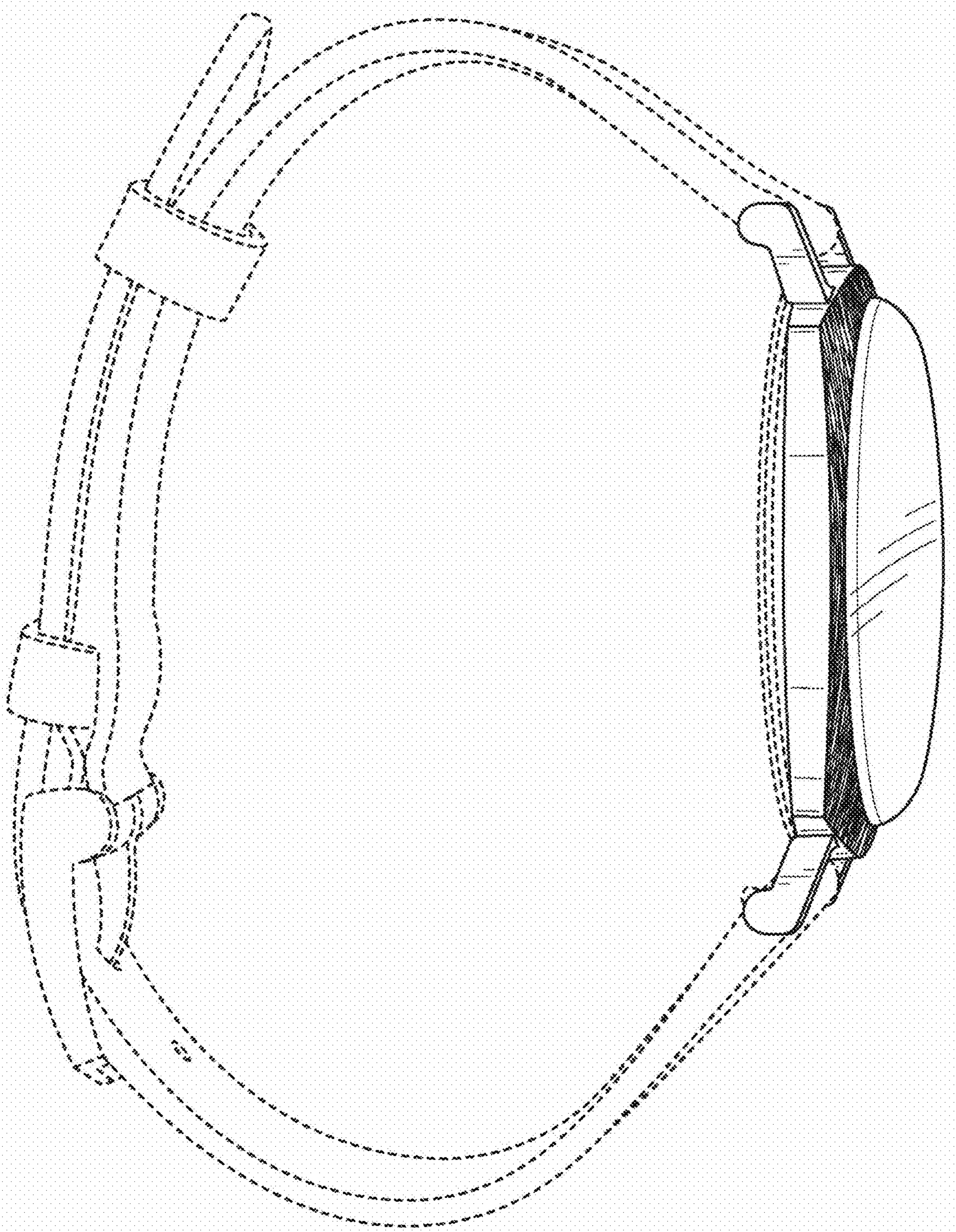


FIG. 4

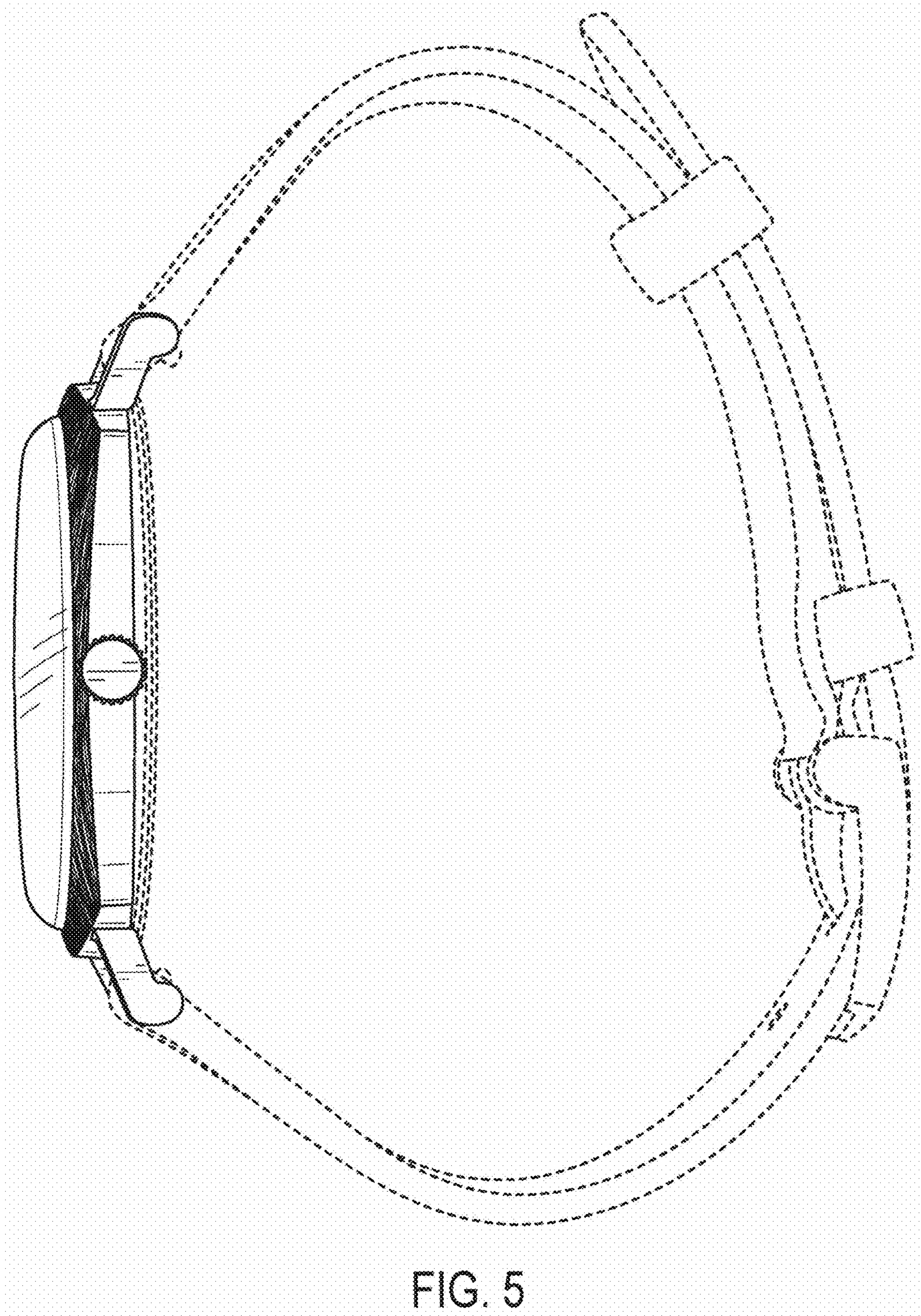


FIG. 5

