



US00D915908S

(12) **United States Design Patent** (10) **Patent No.:** **US D915,908 S**
Ford et al. (45) **Date of Patent:** **** Apr. 13, 2021**

(54) **WATCH**

(74) *Attorney, Agent, or Firm* — Goodwin Procter LLP

(71) Applicant: **TOM FORD INTERNATIONAL, LLC**, New York, NY (US)

(57) **CLAIM**

The ornamental design for a watch, as shown and described.

(72) Inventors: **Thomas C. Ford**, Los Angeles, CA (US); **Brandon Little**, New York, NY (US); **Antoine Sandoz**, New York, NY (US)

DESCRIPTION

(73) Assignee: **TOM FORD INTERNATIONAL, LLC**, New York, NY (US)

FIG. 1 is a top perspective view of a watch, according to a first embodiment;

(**) Term: **15 Years**

FIG. 2 is a front view of the watch, according to the first embodiment;

(21) Appl. No.: **29/679,472**

FIG. 3 is a rear view of the watch, according to the first embodiment;

(22) Filed: **Feb. 6, 2019**

FIG. 4 is a right side view of the watch, according to the first embodiment;

(51) **LOC (13) Cl.** **10-02**

FIG. 5 is a left side view of the watch, according to the first embodiment;

(52) **U.S. Cl.**

FIG. 6 is a top view of the watch, according to the first embodiment;

USPC **D10/38**

FIG. 7 is a bottom view of the watch, according to the first embodiment;

(58) **Field of Classification Search**

USPC D10/30–39, 125; D11/3, 16, 86, 89
(Continued)

FIG. 8 is a bottom perspective view of the watch, according to the first embodiment;

(56) **References Cited**

U.S. PATENT DOCUMENTS

1,701,339 A * 2/1929 Roy A44C 5/145
24/265 R
D160,268 S * 9/1950 Meltzer D10/125
(Continued)

FIG. 9 is a top perspective view of a watch, according to a second embodiment;

OTHER PUBLICATIONS

Tom Ford's First Ever Watch | posted at gq.com May 2018 [online].
© 2020 Condé Nast [retrieved Jul. 22, 2020] from Internet: <<https://www.gq.com/story/tom-ford-001-watch-launch-interview>> (Year: 2018).*

FIG. 10 is a front view of the watch, according to the second embodiment;

(Continued)

FIG. 11 is a rear view of the watch, according to the second embodiment;

Primary Examiner — Katherine Glennon

FIG. 12 is a right side view of the watch, according to the second embodiment;

(Continued)

FIG. 13 is a left side view of the watch, according to the second embodiment;

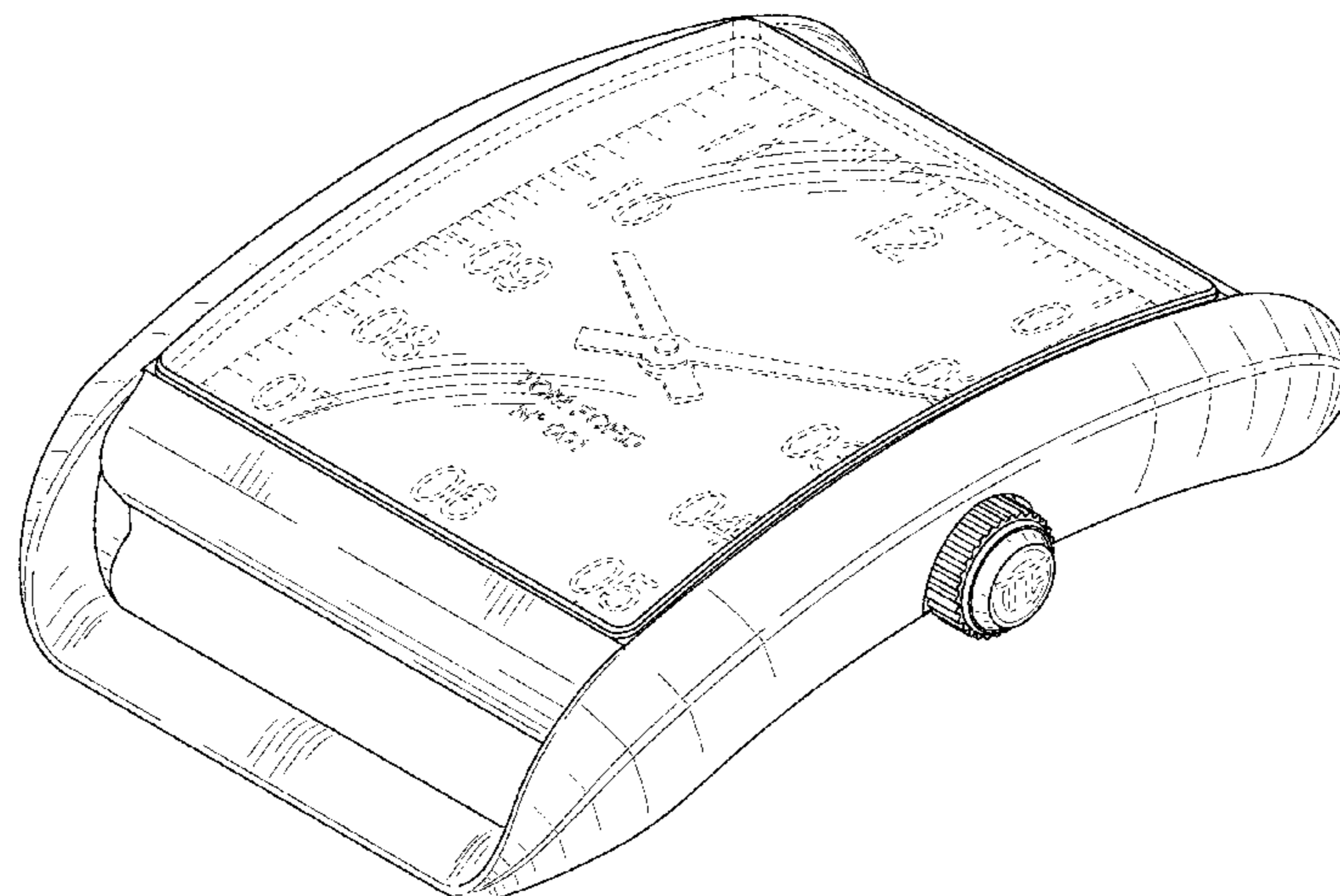


FIG. 14 is a top view of the watch, according to the second embodiment;

FIG. 15 is a bottom view of the watch, according to the second embodiment; and,

FIG. 16 is a bottom perspective view of the watch, according to the second embodiment.

The broken lines shown in the drawings illustrate the environment of the claimed design and form no part thereof.

The words/images “TOM FORD” and “TF” forming part of the claimed design are registered trademarks of Thomas C. Ford.

1 Claim, 16 Drawing Sheets

(58) **Field of Classification Search**

CPC G04B 19/04; G04B 19/06; G04B 19/08;
 G04B 19/085; G04B 19/10; G04B
 19/103; G04B 19/106; G04B 19/12;
 G04B 37/1486; G04B 39/002; G04B
 39/004; G04B 39/006; G04B 45/0061;
 G04B 45/0069; G04B 45/0076; G04B
 47/04; G04B 47/042; G04B 47/00

See application file for complete search history.

(56)

References Cited

U.S. PATENT DOCUMENTS

D337,531 S *	7/1993	Braisted	D10/125
D418,066 S *	12/1999	Modolo	D10/39
D446,130 S *	8/2001	Nakanishi	D10/38
D447,704 S *	9/2001	Deguines	D10/39
D462,281 S *	9/2002	Wunderman	D10/39
D503,896 S *	4/2005	Vidal	D10/39
D523,358 S *	6/2006	Lillegard	D10/39
D526,912 S *	8/2006	Calvani	D10/38
D544,377 S *	6/2007	Chodat	D10/38
D563,800 S *	3/2008	Holtzman	D10/39
D563,801 S *	3/2008	Holtzman	D10/39
D564,908 S *	3/2008	Chodat	D10/38
D566,583 S *	4/2008	Holtzman	D10/39
D567,115 S *	4/2008	Bulgari	D10/32

D569,740 S *	5/2008	Bodino	D10/38
D577,609 S *	9/2008	Modolo	D10/32
D606,889 S *	12/2009	Nusbaumer	D10/39
D611,844 S *	3/2010	Furetta	D10/39
D647,410 S *	10/2011	Galli	D10/39
D655,631 S *	3/2012	Ruefenacht	D10/39
D678,785 S *	3/2013	Rochat	D10/39
D690,210 S *	9/2013	Takahashi	D10/32
D693,701 S *	11/2013	Rufenacht	D10/39
D723,946 S *	3/2015	Soares	D10/32
D756,243 S *	5/2016	Giannini	D10/32
D759,623 S *	6/2016	Dahlberg	D14/138 R
D760,095 S *	6/2016	Jeannet	D10/30
D767,412 S *	9/2016	Voirin	D10/30
D769,735 S *	10/2016	Amfitheatrof	D10/30
D782,335 S *	3/2017	White	D10/32
2007/0070819 A1 *	3/2007	Choksi	G04B 19/085 368/76

OTHER PUBLICATIONS

Tom Ford launches a new watch | posted at timetransformed.com Apr. 2018 [online]. [retrieved Jul. 22, 2020] from Internet: <<https://timetransformed.com/2018/04/24/tom-ford-launches-a-new-watch/>> (Year: 2018).*

Tom Ford Launches His First Line of Watches | posted at urbandaddy.com May 2018 [online]. © 2020 UrbanDaddy [retrieved Jul. 22, 2020] from Internet: <<https://www.urbandaddy.com/articles/42322/tom-ford-launches-his-first-line-of-watches>> (Year: 2018).*

FS Corum Severus square Bubble limited edition | posted by saki3 Jul. 2, 2014 [online]. © [retrieved Aug. 2, 2020] from Internet: <<https://www.mywatchmart.com/listing/10336-fs-corum-severus-square-bubble-limited-edition-5x1000-no-boxpapers-los-angeles-ca-usa/>> (Year: 2014).*

* cited by examiner

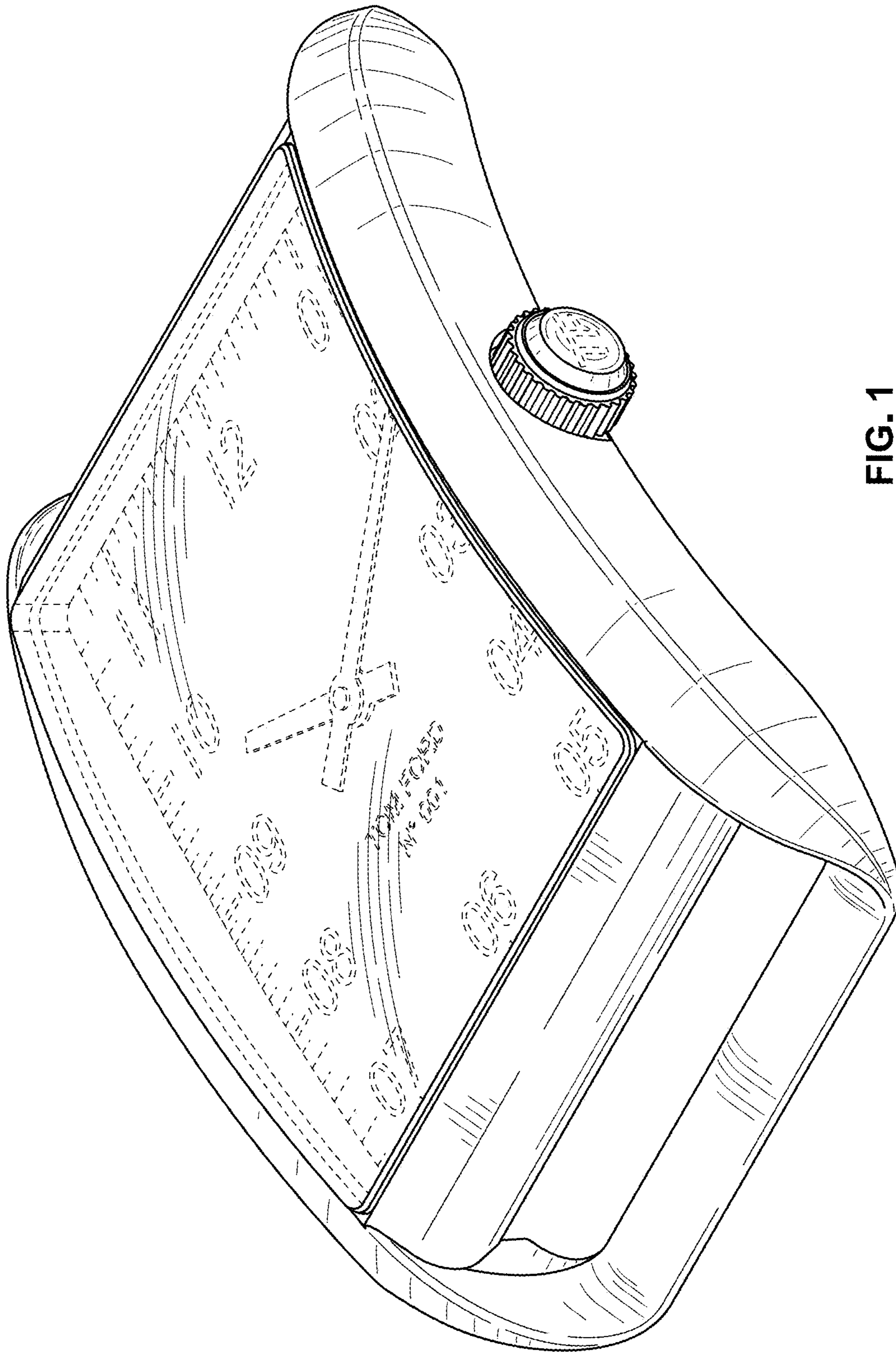


FIG. 1

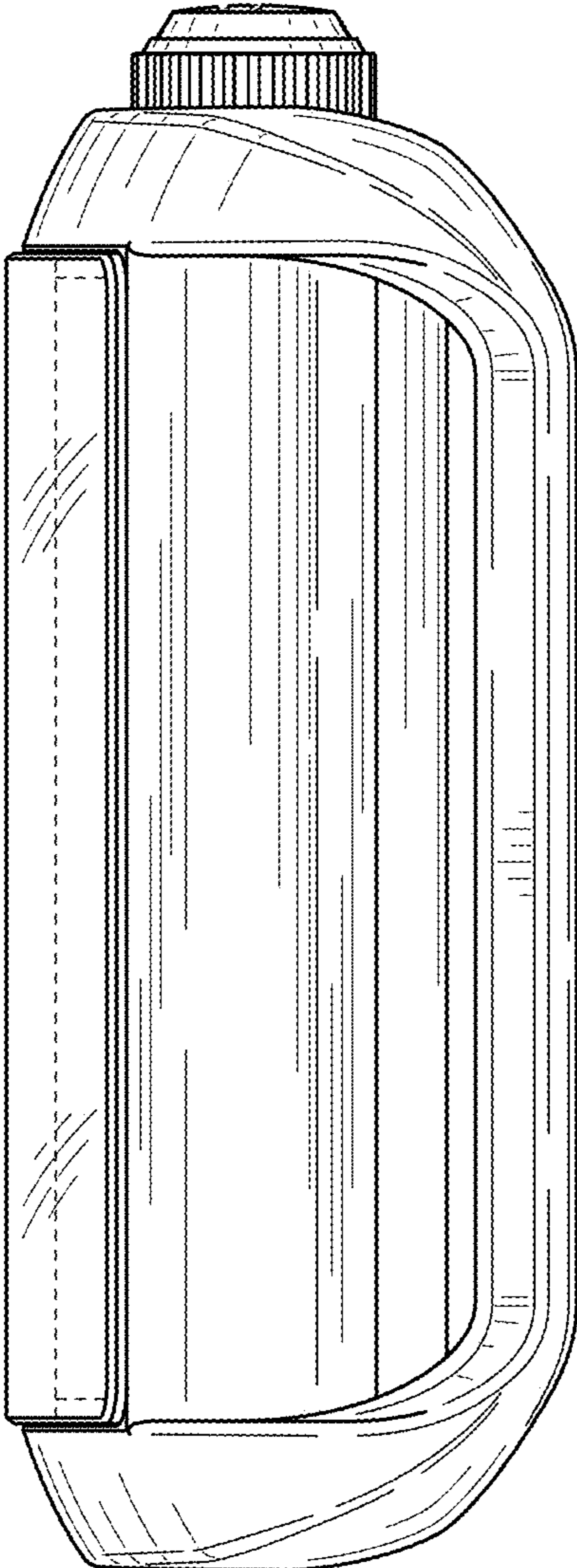


FIG. 2

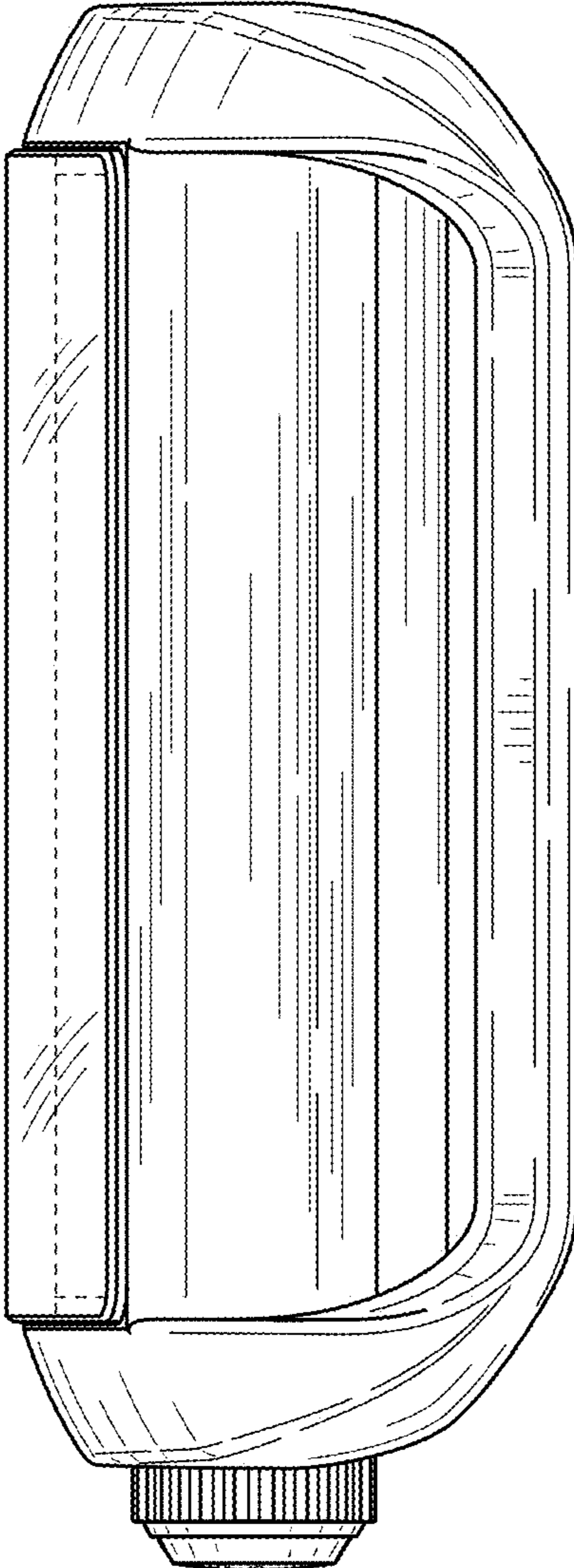


FIG. 3

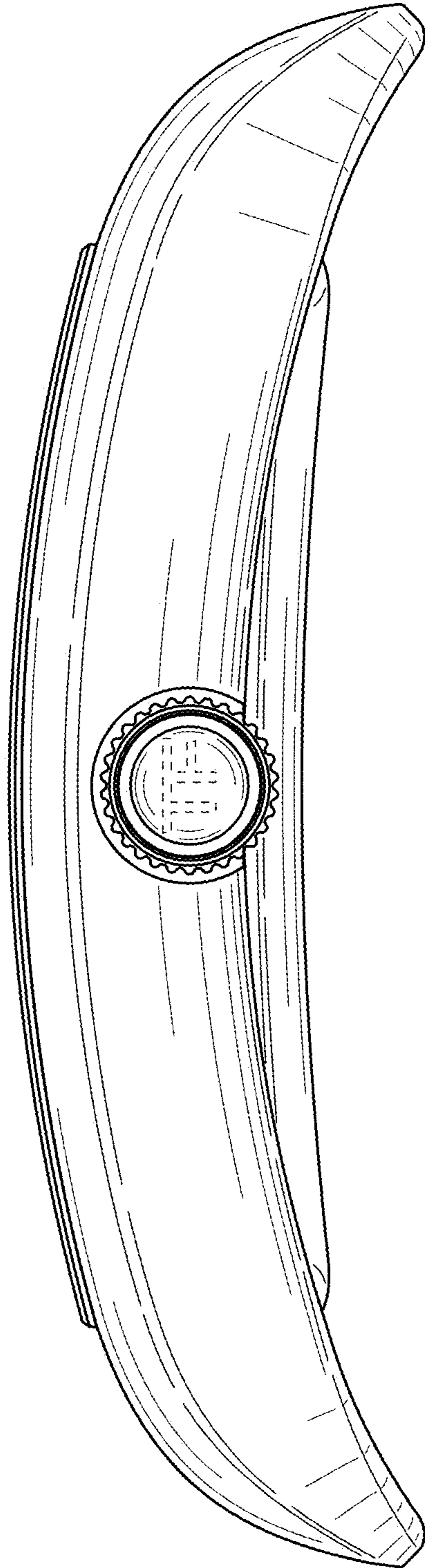


FIG. 4

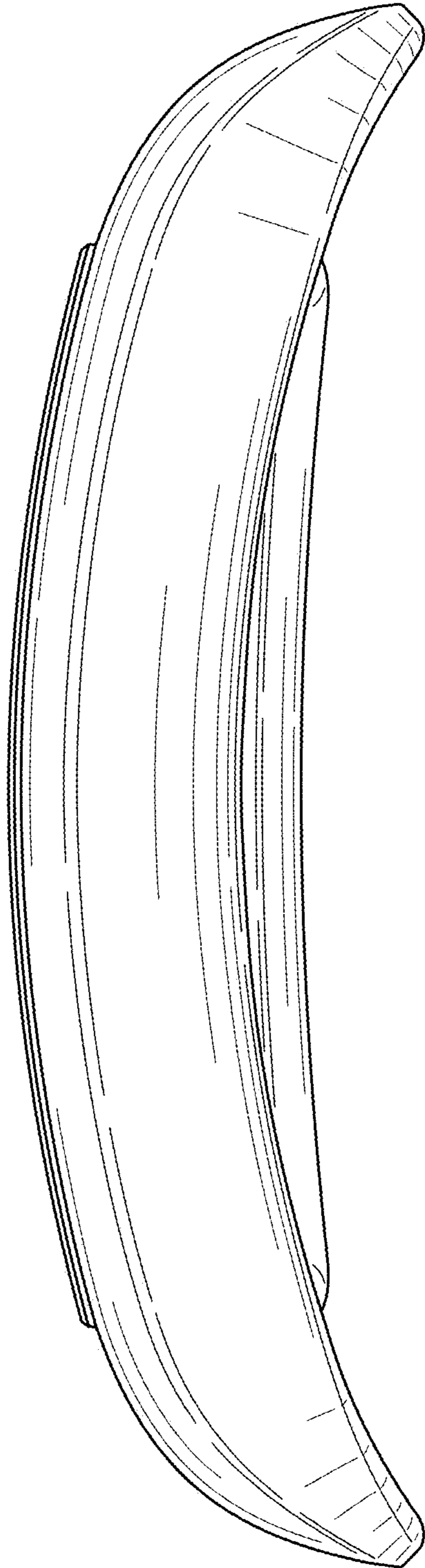


FIG. 5

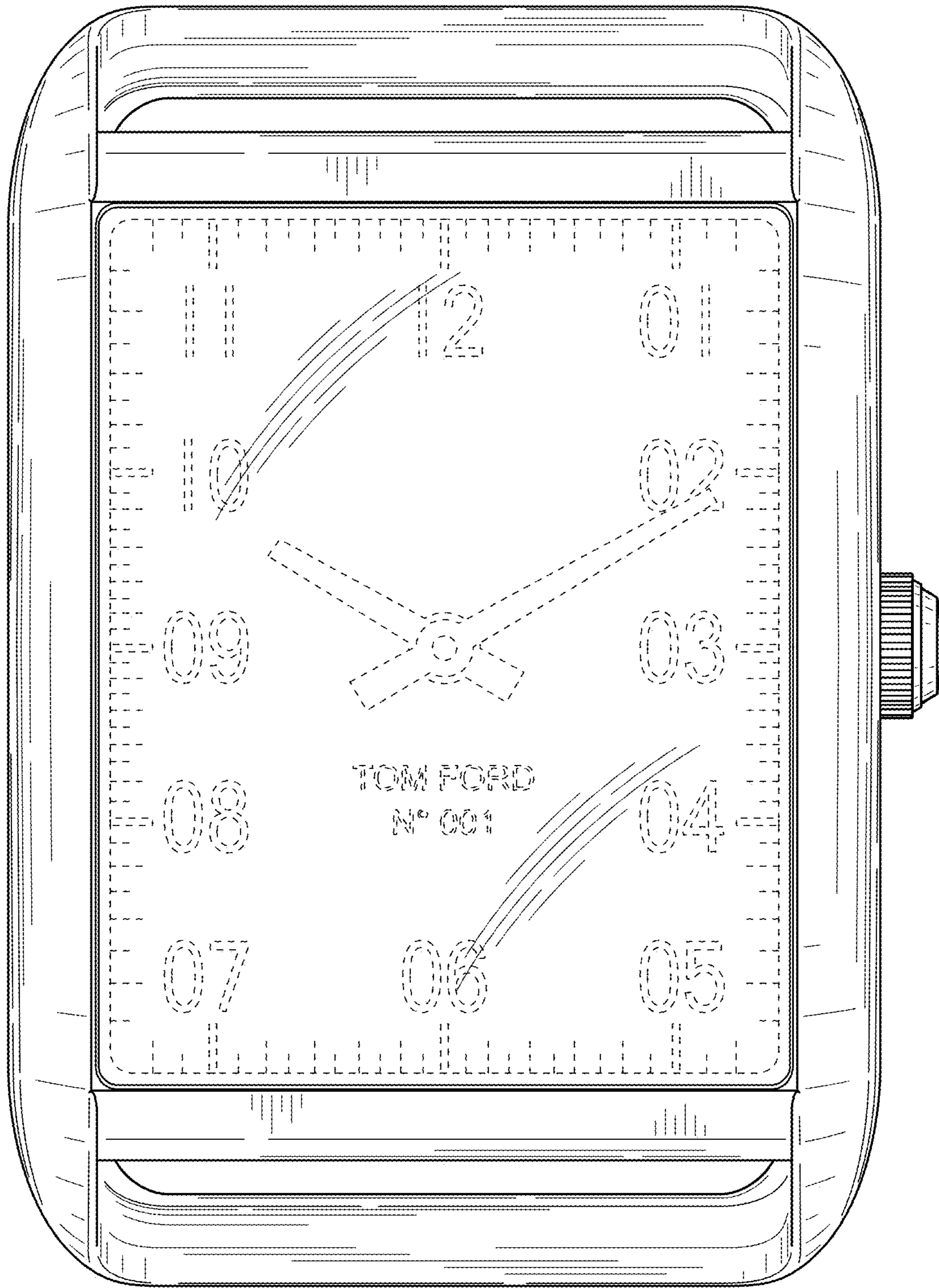


FIG. 6

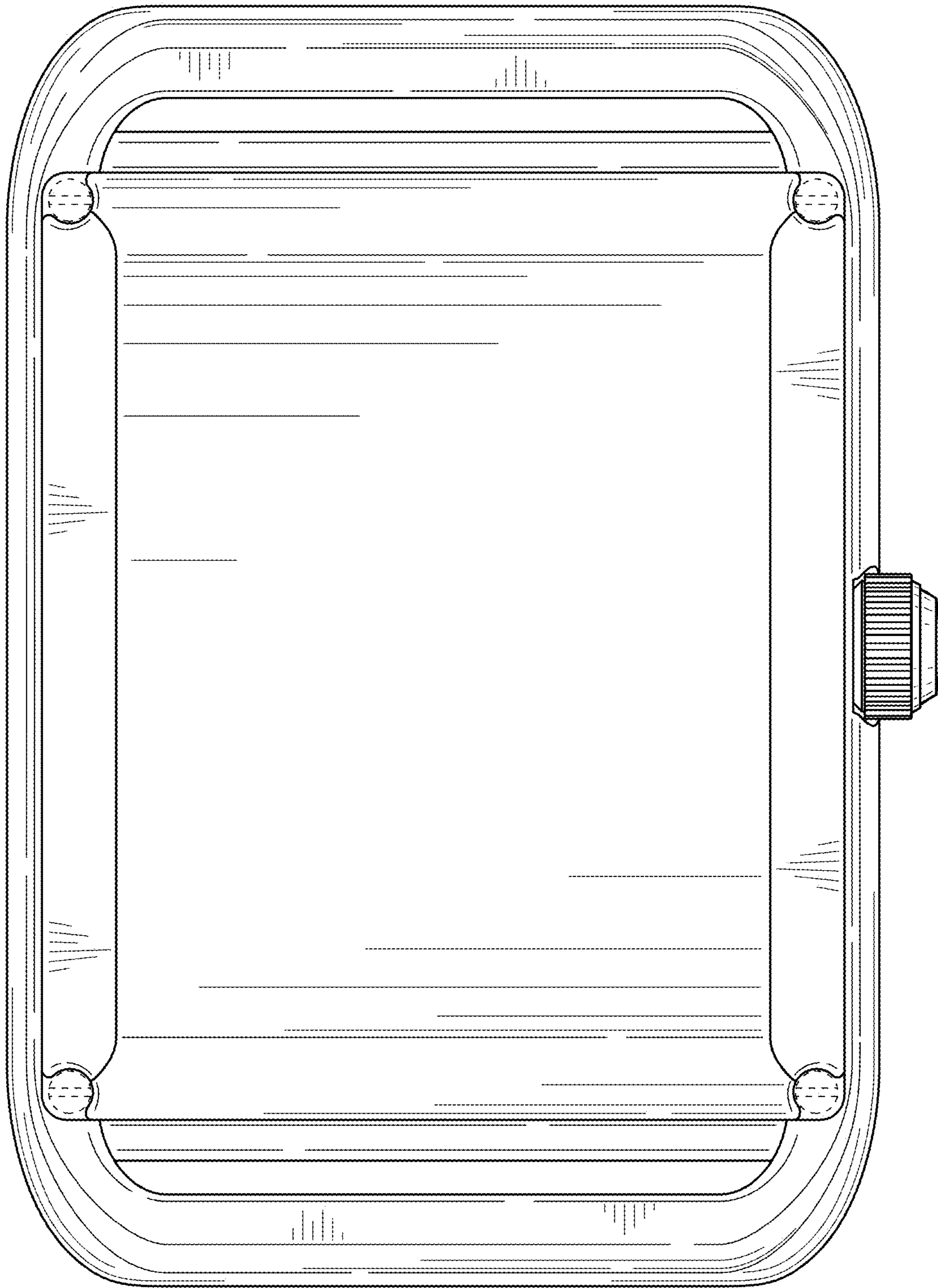


FIG. 7

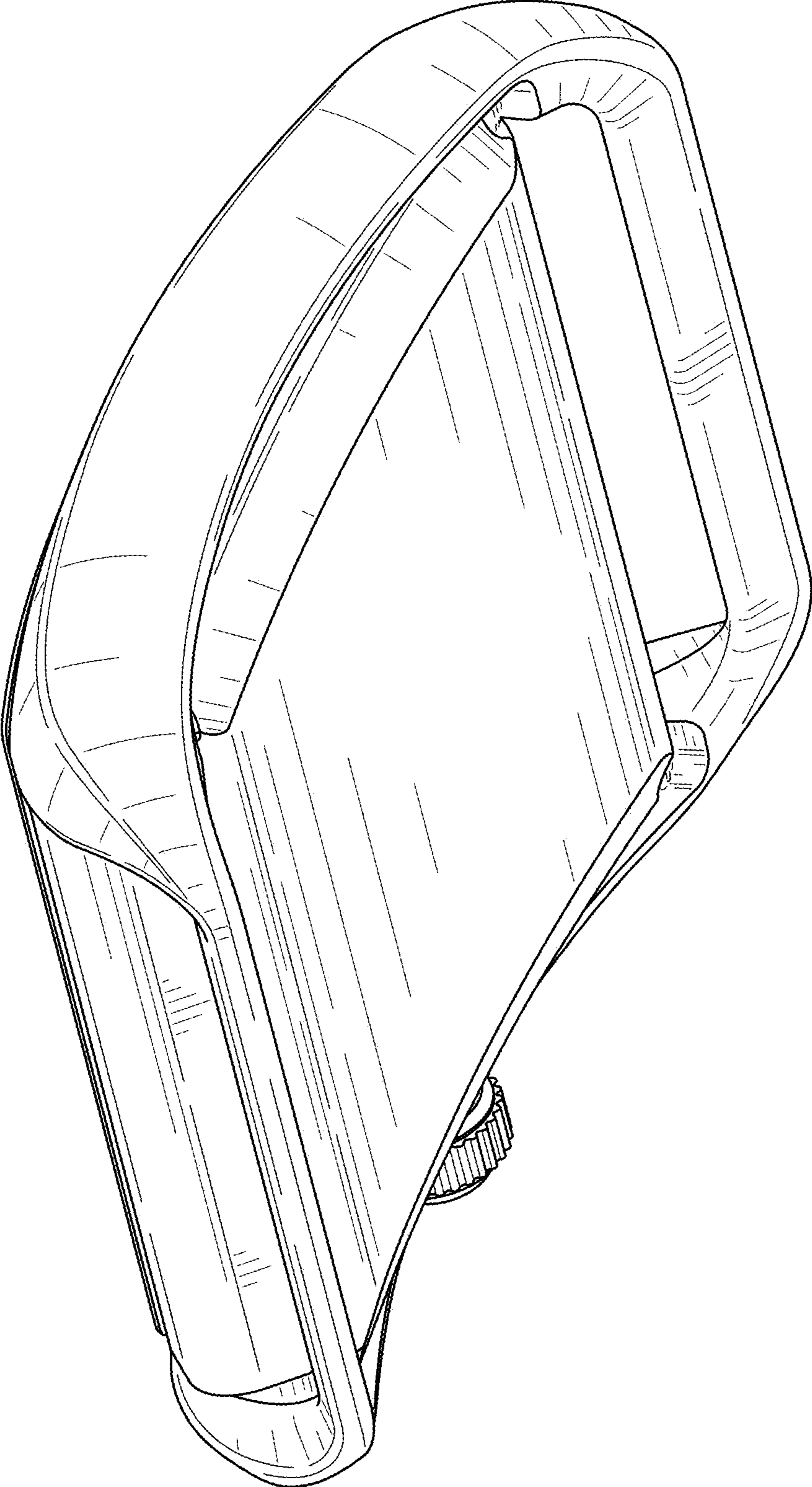


FIG. 8

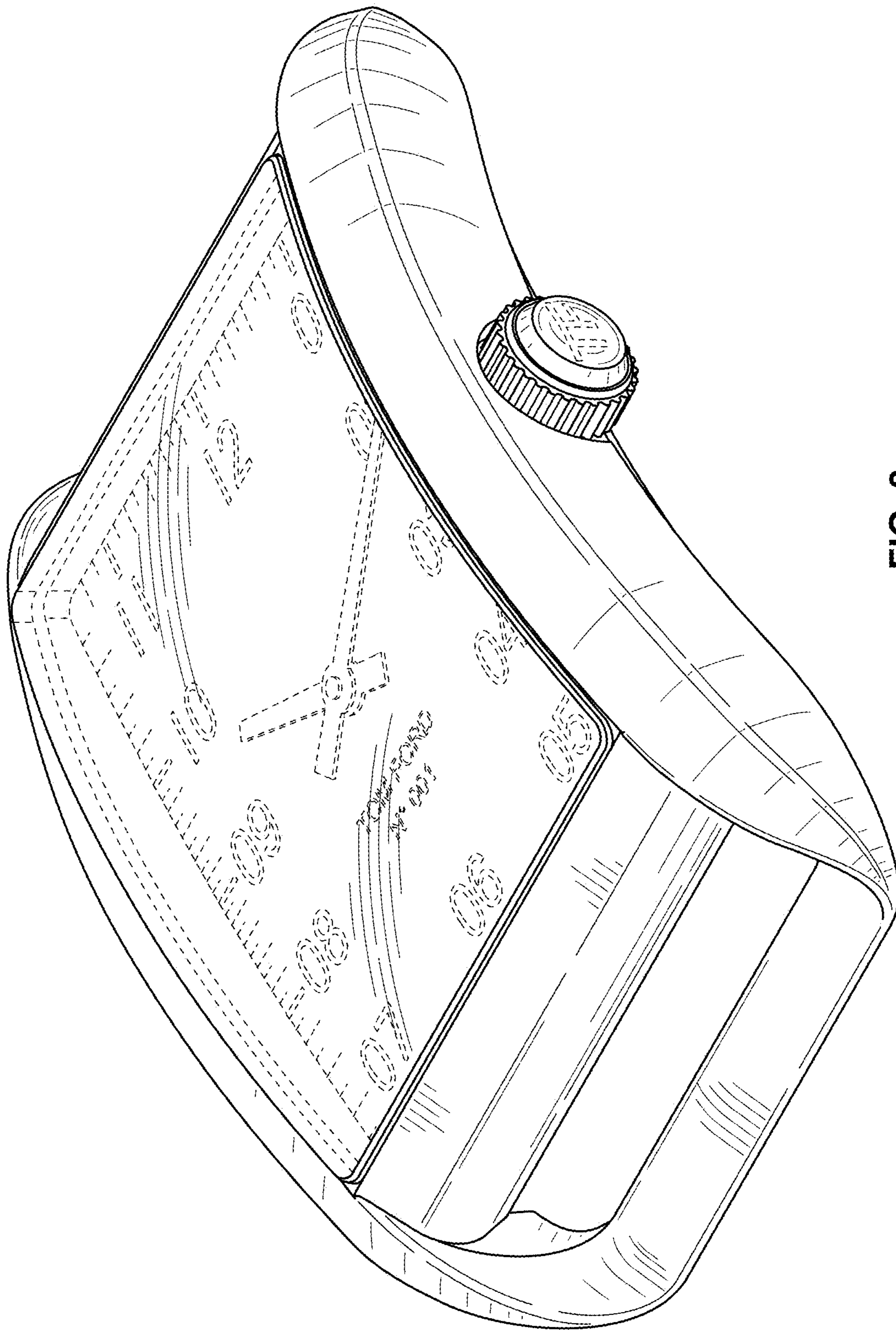


FIG. 9

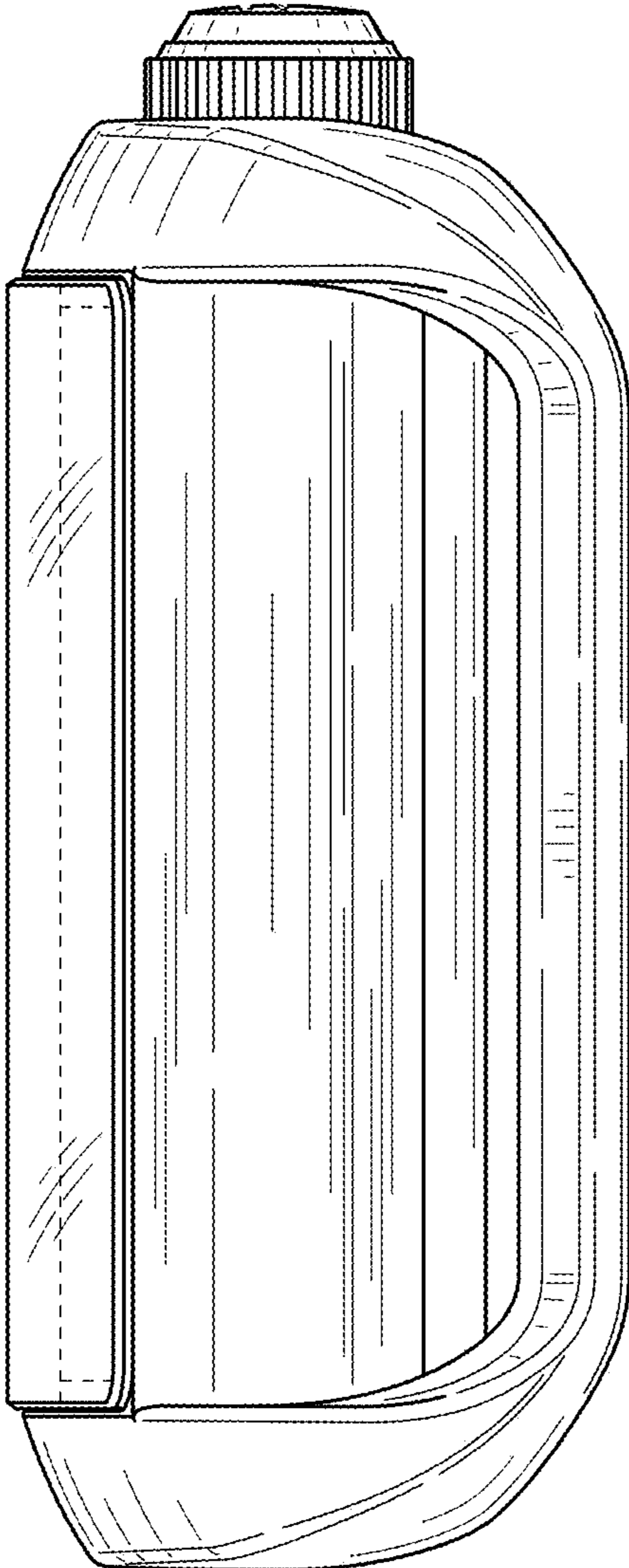


FIG. 10

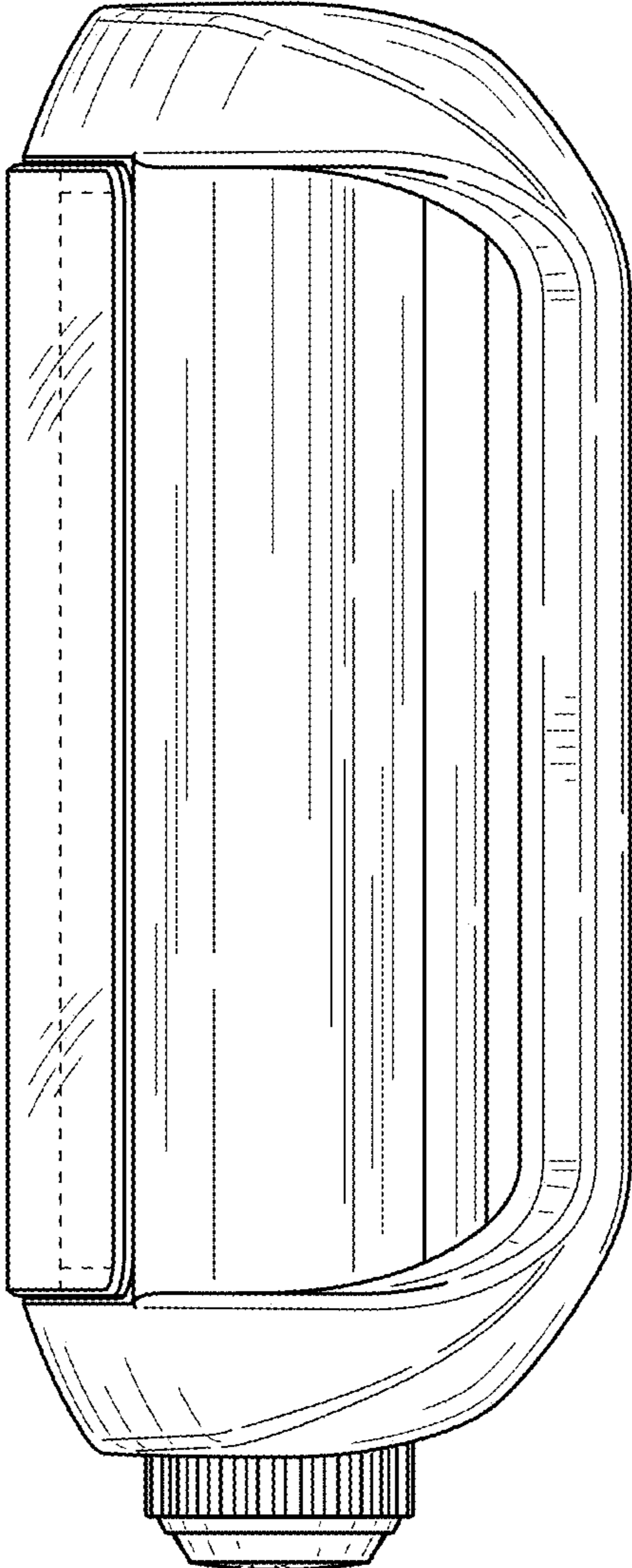


FIG. 11

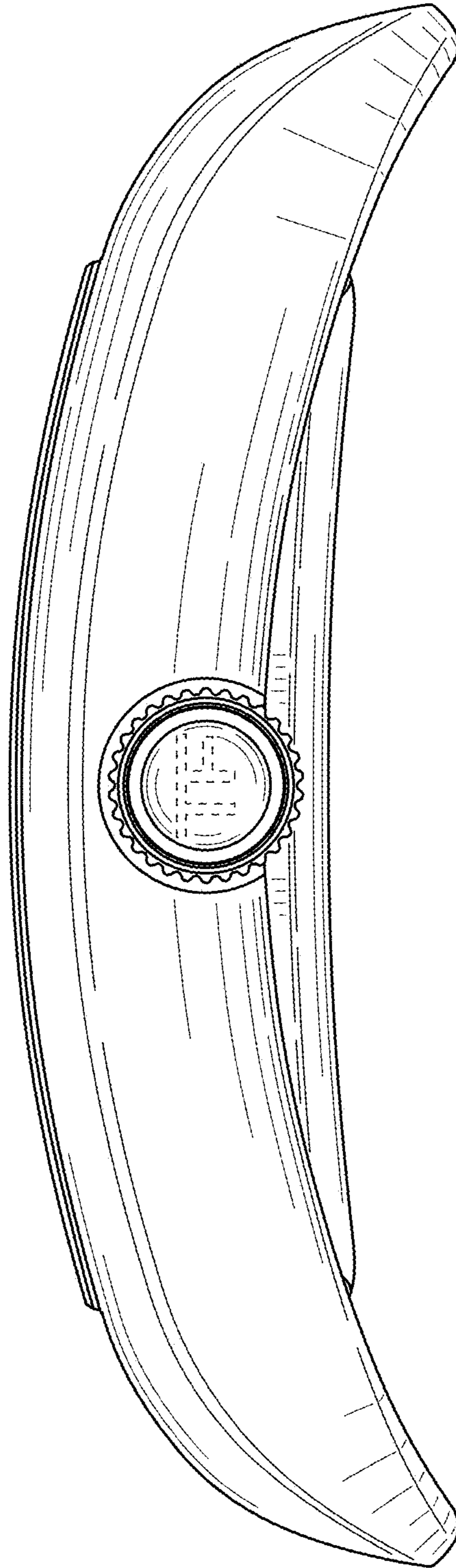


FIG. 12



FIG. 13

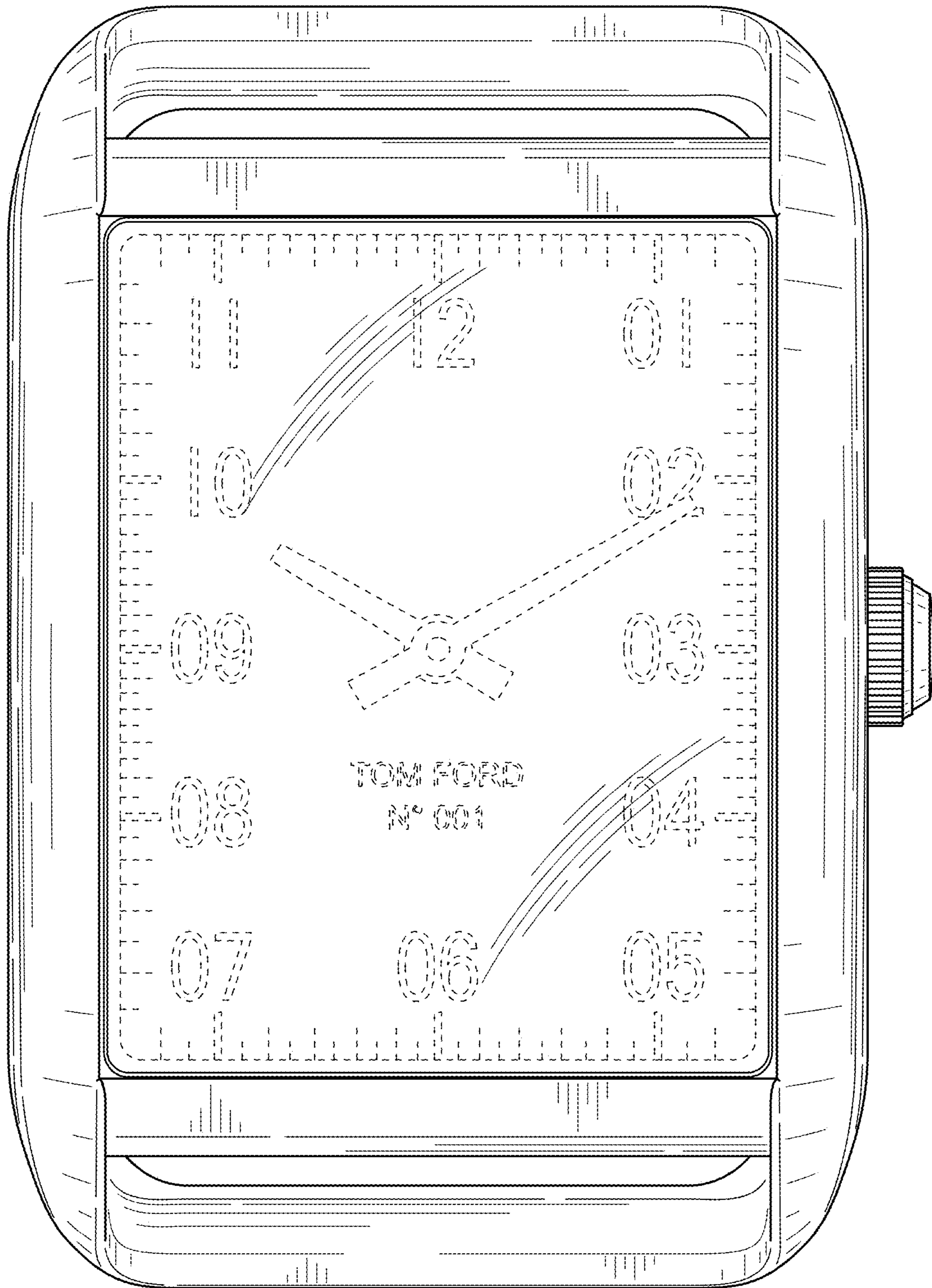


FIG. 14

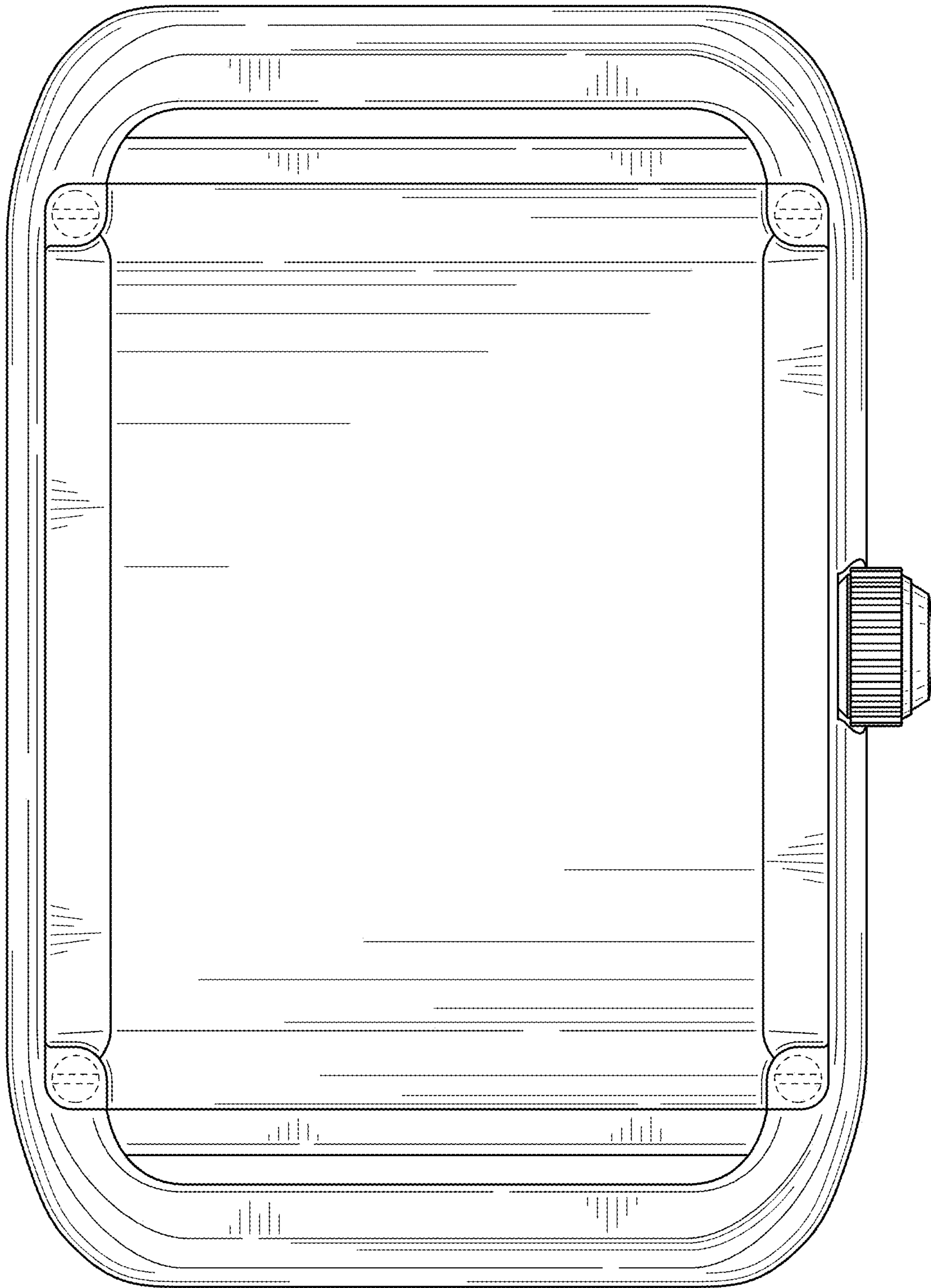


FIG. 15

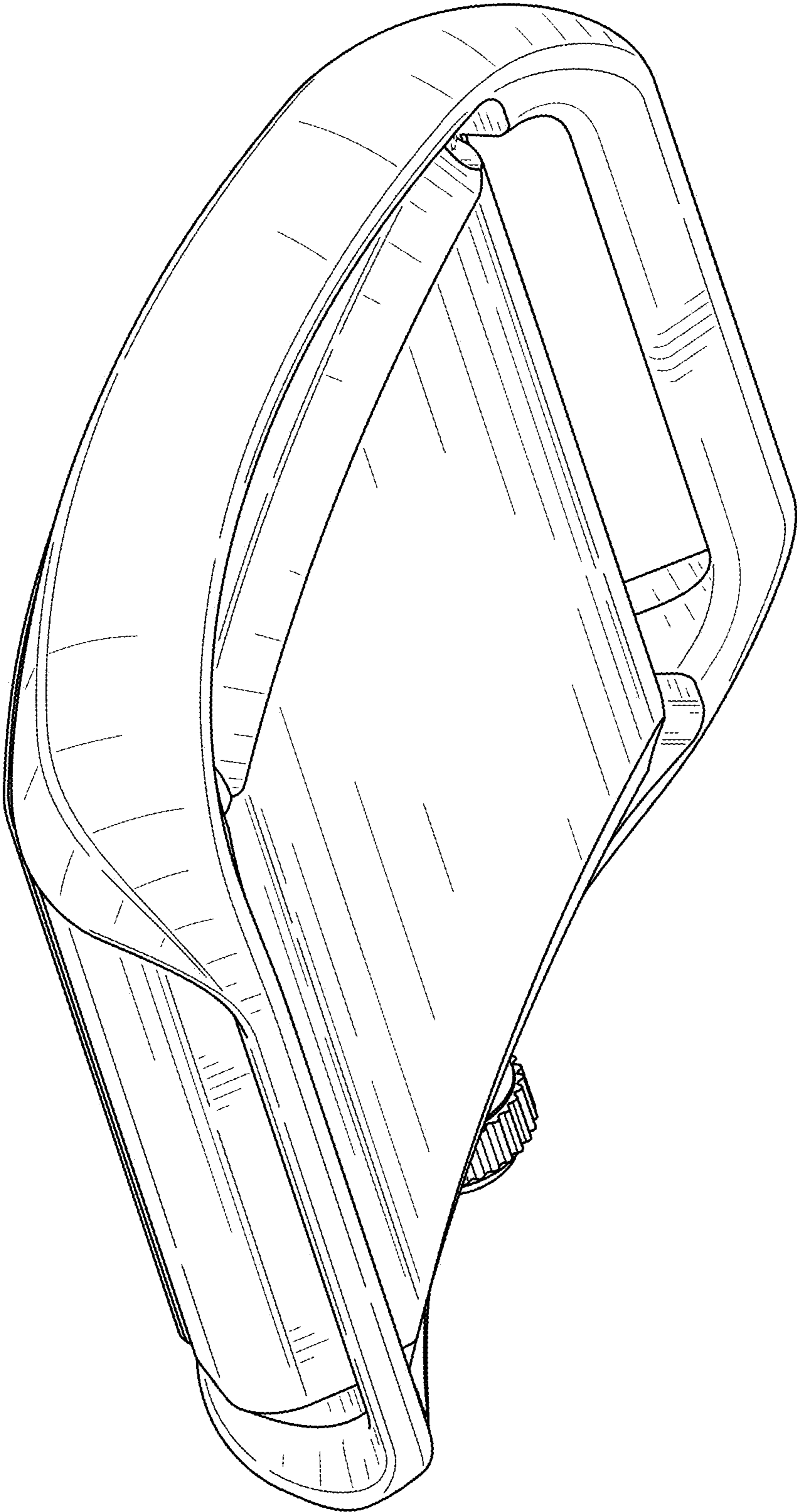


FIG. 16