



US00D915907S

(12) **United States Design Patent**
Mille

(10) **Patent No.:** **US D915,907 S**

(45) **Date of Patent:** **** Apr. 13, 2021**

- (54) **WATCH**
- (71) Applicant: **Turlen Holding SA**, Les Breuleux (CH)
- (72) Inventor: **Richard Mille**, Moulins (FR)
- (73) Assignee: **TURLEN HOLDING SA**, Les Breuleux (CH)
- (**) Term: **15 Years**

| | | | | | | |
|--------------|----|---|---------|---------|-------|------------------------|
| D660,184 | S | * | 5/2012 | Calce | | D10/32 |
| D664,047 | S | * | 7/2012 | Mille | | D10/39 |
| D692,323 | S | * | 10/2013 | Mille | | D10/39 |
| D694,657 | S | * | 12/2013 | Mille | | D10/39 |
| D710,216 | S | * | 8/2014 | Mille | | D10/38 |
| D731,900 | S | * | 6/2015 | Mille | | D10/39 |
| D736,653 | S | * | 8/2015 | Mille | | D10/39 |
| D755,647 | S | * | 5/2016 | Mille | | D10/39 |
| D850,967 | S | * | 6/2019 | Cassidy | | D10/126 |
| 2009/0046539 | A1 | * | 2/2009 | Plomb | | G04B 45/0038 368/16 |
| 2019/0025765 | A1 | * | 1/2019 | Bonadei | | G04B 19/04 |

(21) Appl. No.: **29/706,672**

(22) Filed: **Sep. 23, 2019**

(30) **Foreign Application Priority Data**

May 21, 2019 (WO) WIPO83766

(51) **LOC (13) Cl.** **10-02**

(52) **U.S. Cl.**
USPC **D10/33**

(58) **Field of Classification Search**
USPC D10/30-39, 98, 121-128, 131-132
CPC G04B 19/00; G04B 19/025; G04B 19/04;
G04B 19/06; G04B 19/065; G04B 19/08;
G04B 19/085; G04B 19/10; G04B
19/103; G04B 19/12; G04B 37/00; G04B
37/0058; G04B 37/1486; G04B 45/00;
G04B 45/0069; G04B 45/0076; G04B
19/26; G04B 19/226

See application file for complete search history.

(56) **References Cited**

U.S. PATENT DOCUMENTS

| | | | | | | |
|----------|---|---|---------|-------------|-------|---------|
| D78,396 | S | * | 4/1929 | Janssen | | D10/124 |
| D291,814 | S | * | 9/1987 | Cafaro, Jr. | | D10/127 |
| D445,697 | S | * | 7/2001 | Hysek | | D10/30 |
| D456,274 | S | * | 4/2002 | Mille | | D10/30 |
| D570,710 | S | * | 6/2008 | Wong | | D10/30 |
| D606,423 | S | * | 12/2009 | Mille | | D10/38 |
| D624,439 | S | * | 9/2010 | Wunderman | | D10/32 |

OTHER PUBLICATIONS

Richard Mille RM 52-06 Tourbillon Skull Watch | ablogtowatch.com Feb. 2020 [online], © 2007-2021 aBlogtoWatch [retrieved Jan. 29, 2021] from Internet: <<https://www.ablogtowatch.com/hands-on-the-700000-richard-mille-rm-52-06-tourbillon-skull-watch/>> (Year: 2020).*

* cited by examiner

Primary Examiner — Katherine Glennon
(74) *Attorney, Agent, or Firm* — Donald J. Ranft; Collen

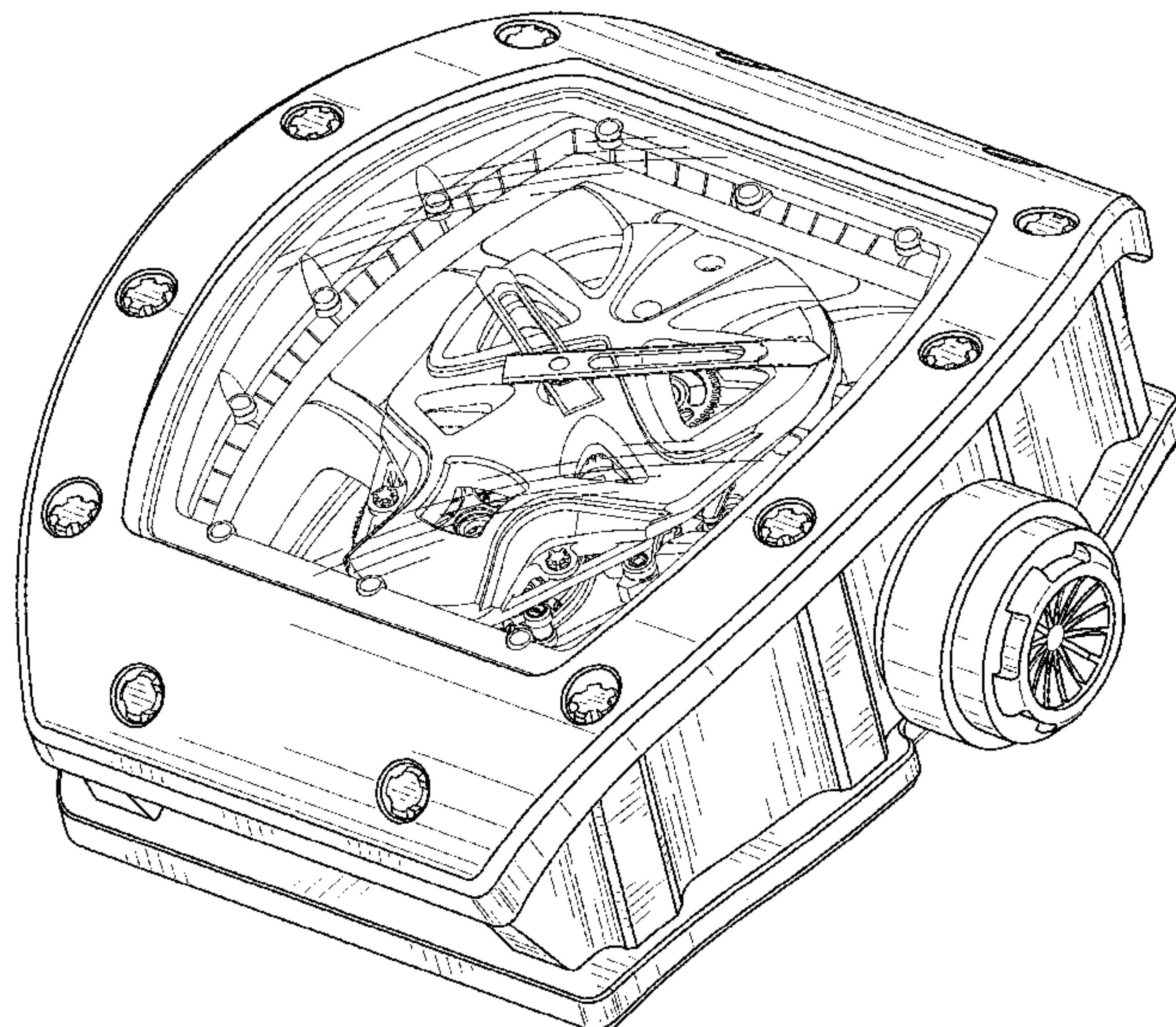
(57) **CLAIM**

The ornamental design for a watch, as shown.

DESCRIPTION

FIG. 1 is a front right perspective view of a watch showing my new design;
FIG. 2 is a rear left perspective view thereof;
FIG. 3 is a front left perspective view thereof;
FIG. 4 is a rear right perspective view thereof;
FIG. 5 is a front view thereof;
FIG. 6 is a rear view thereof;
FIG. 7 is a left side view thereof;
FIG. 8 is a right side view thereof;
FIG. 9 is a bottom view thereof; and,
FIG. 10 is a top view thereof.

1 Claim, 8 Drawing Sheets



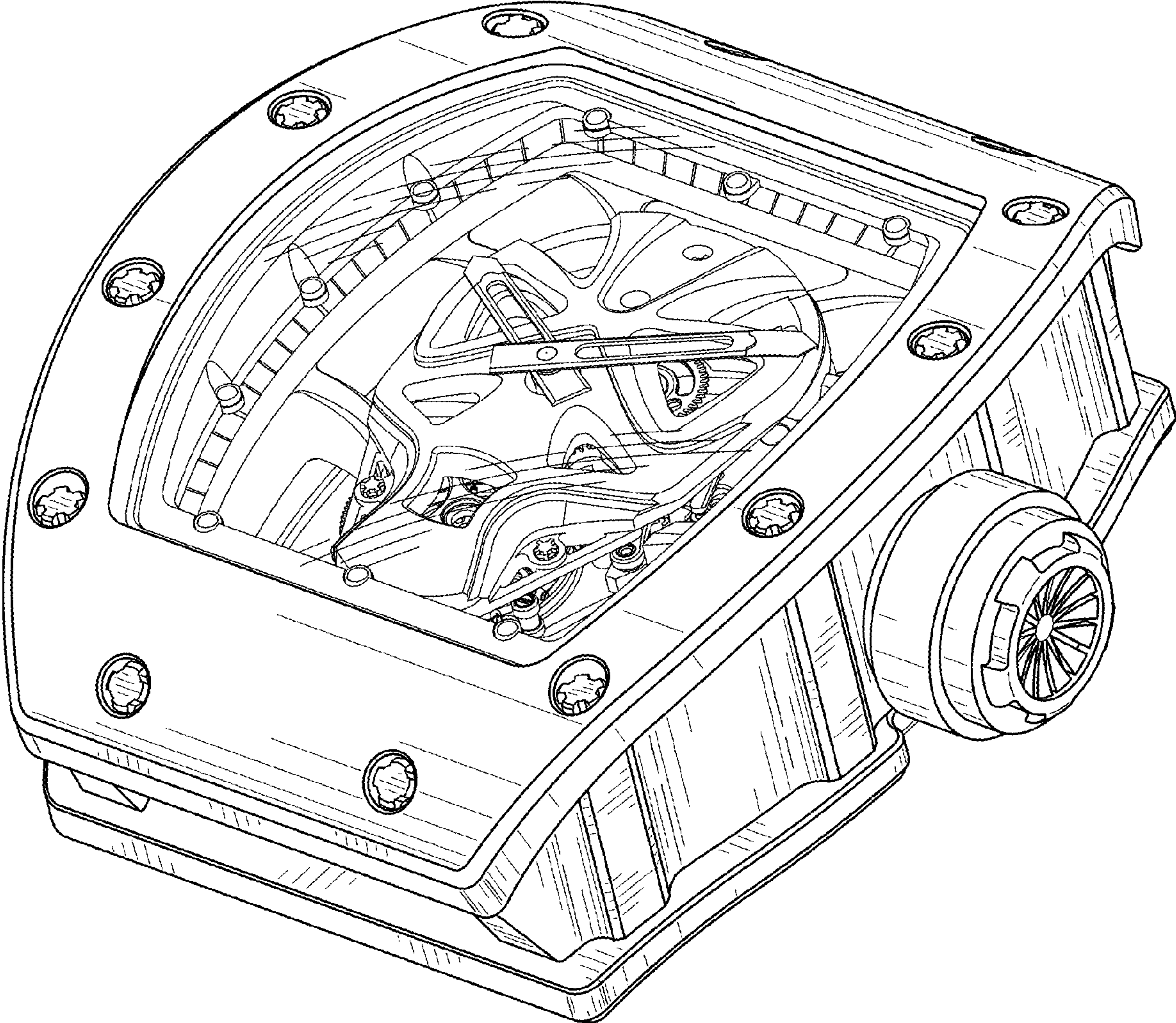


FIG. 1

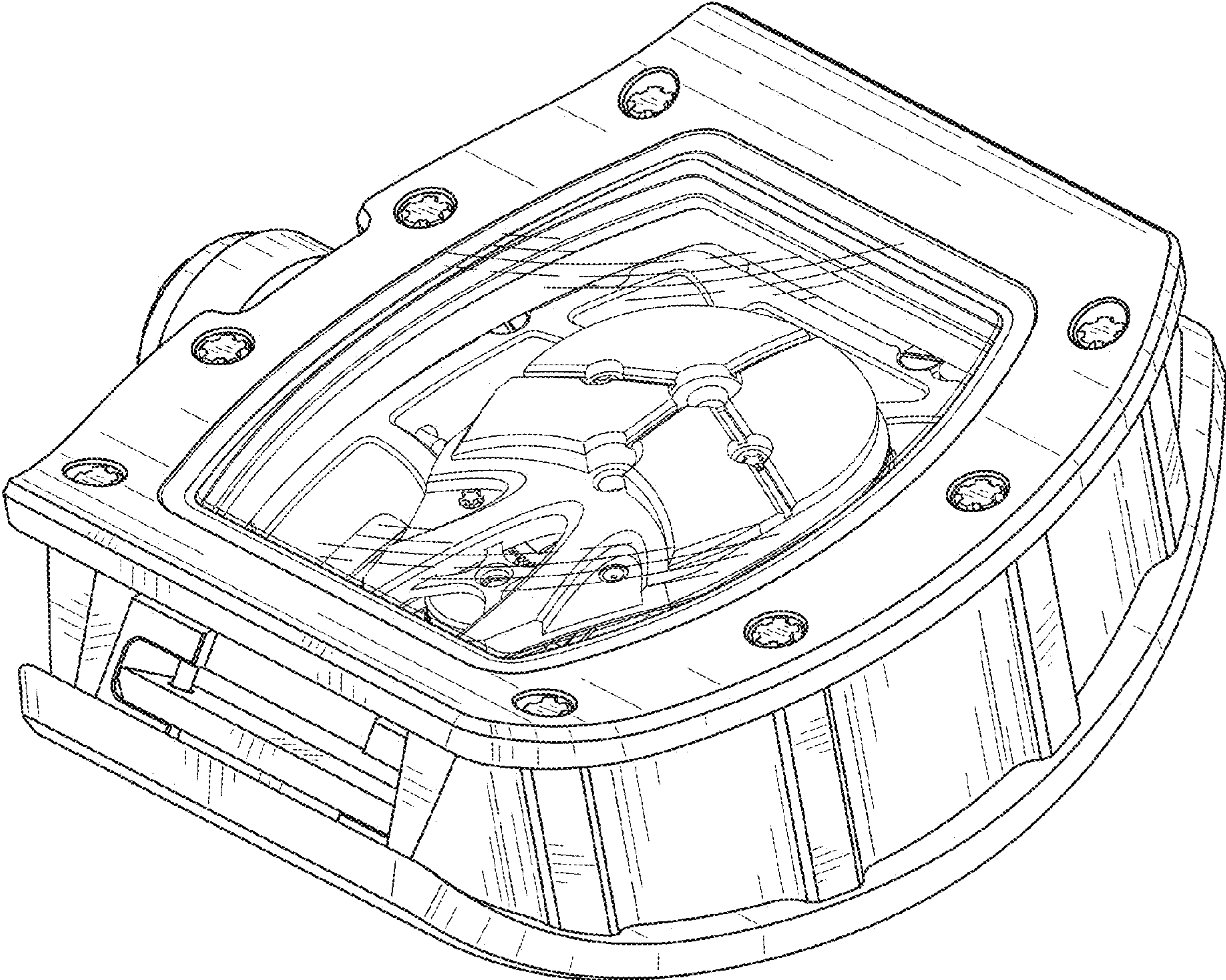


FIG. 2

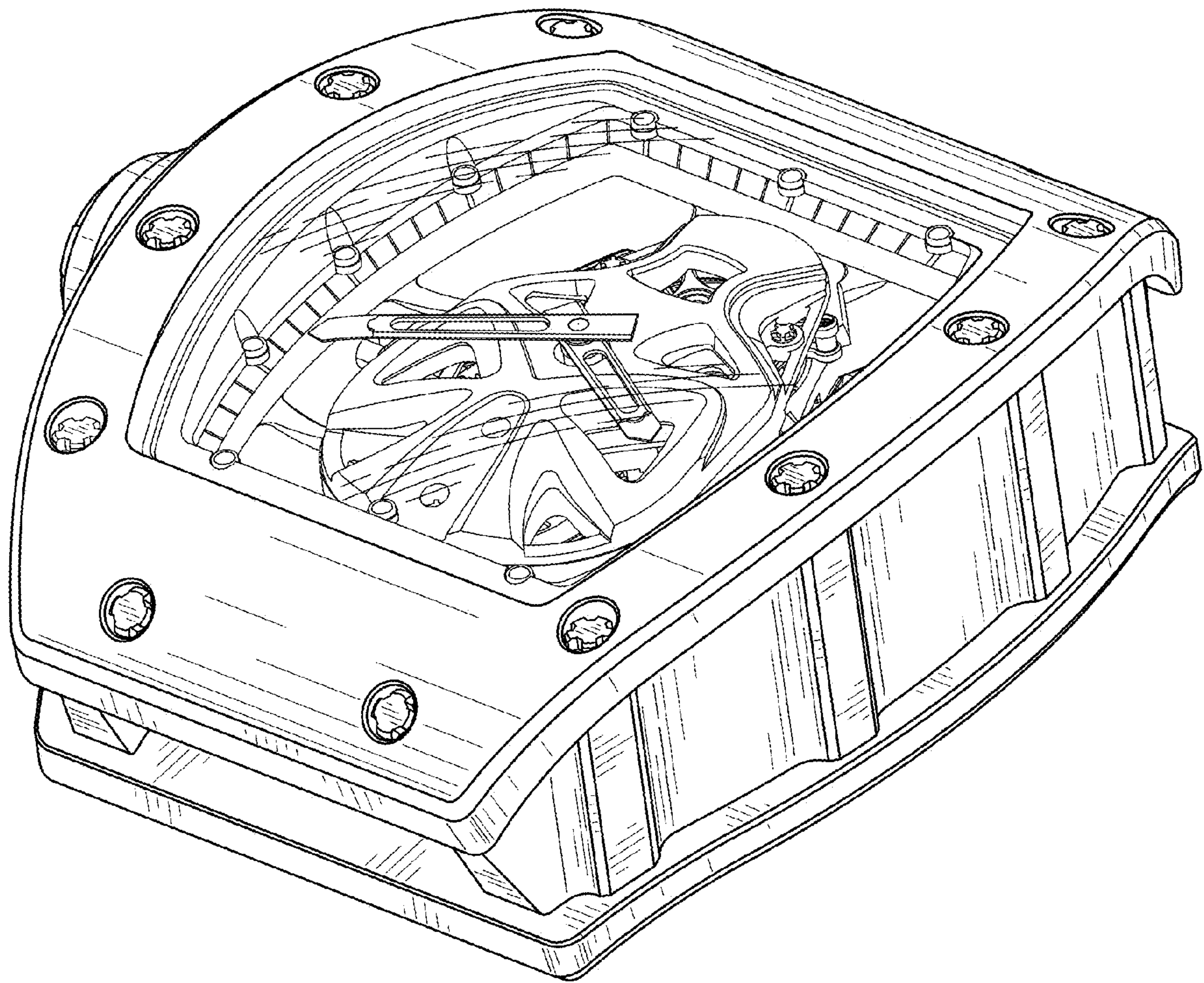


FIG. 3

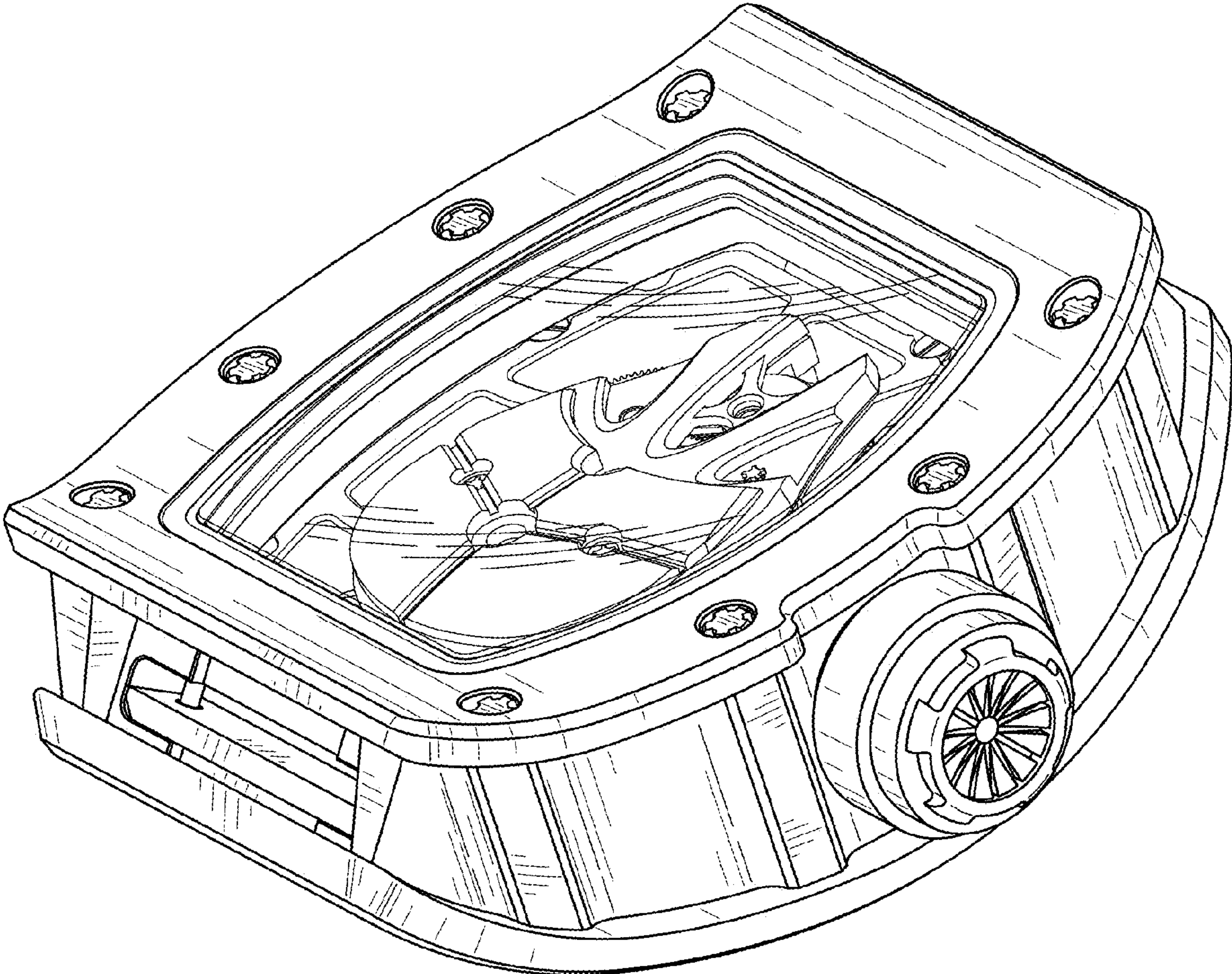


FIG. 4



FIG. 5

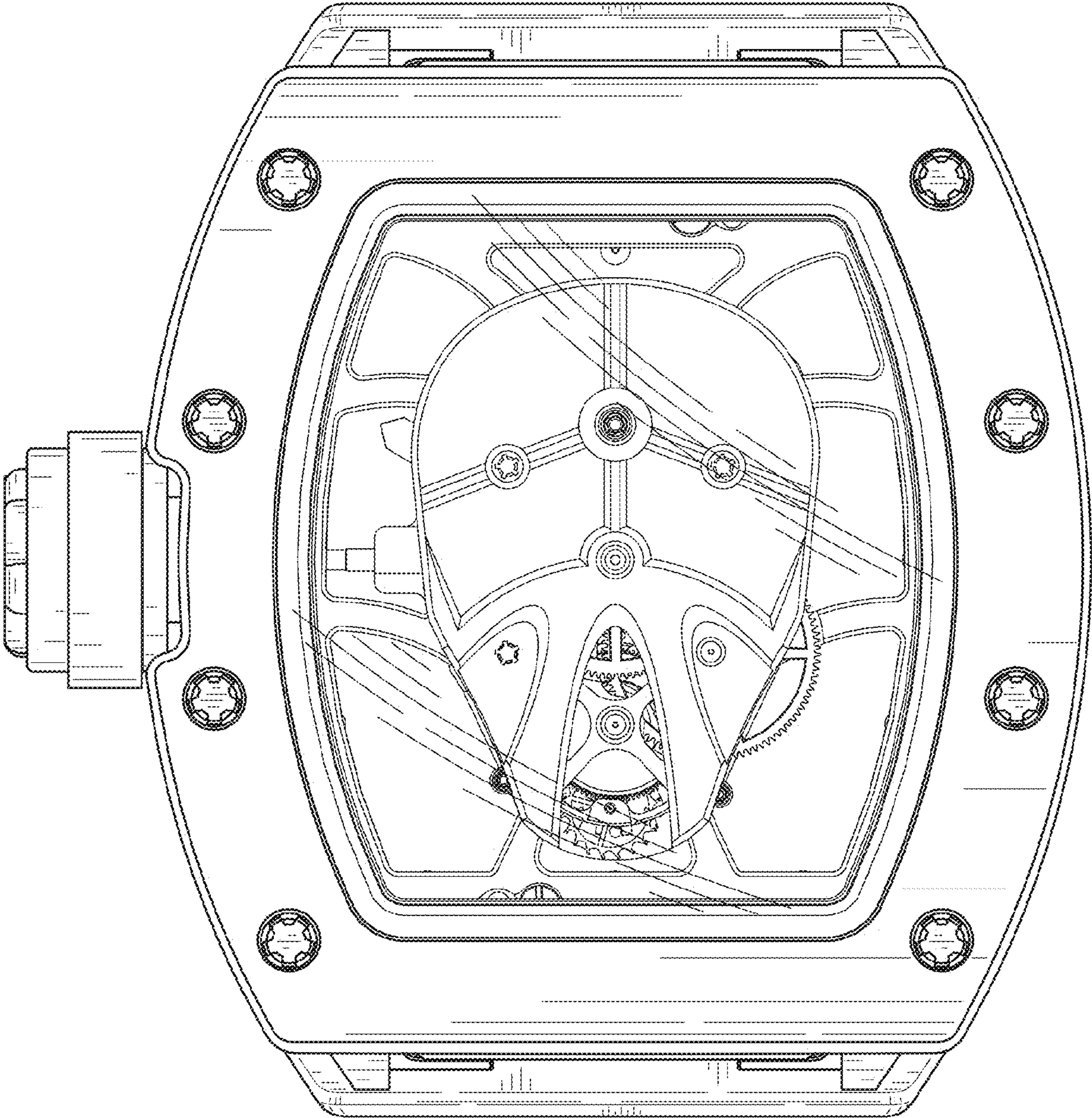


FIG. 6

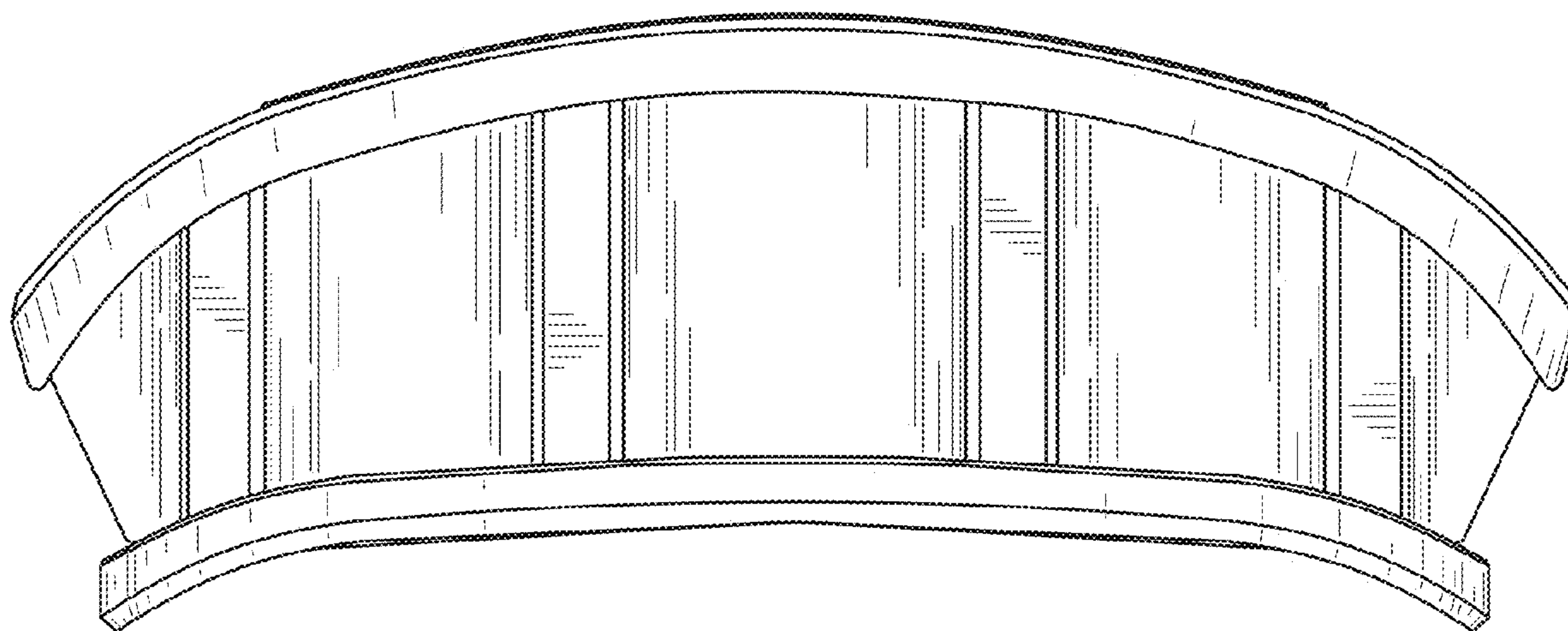


FIG. 7

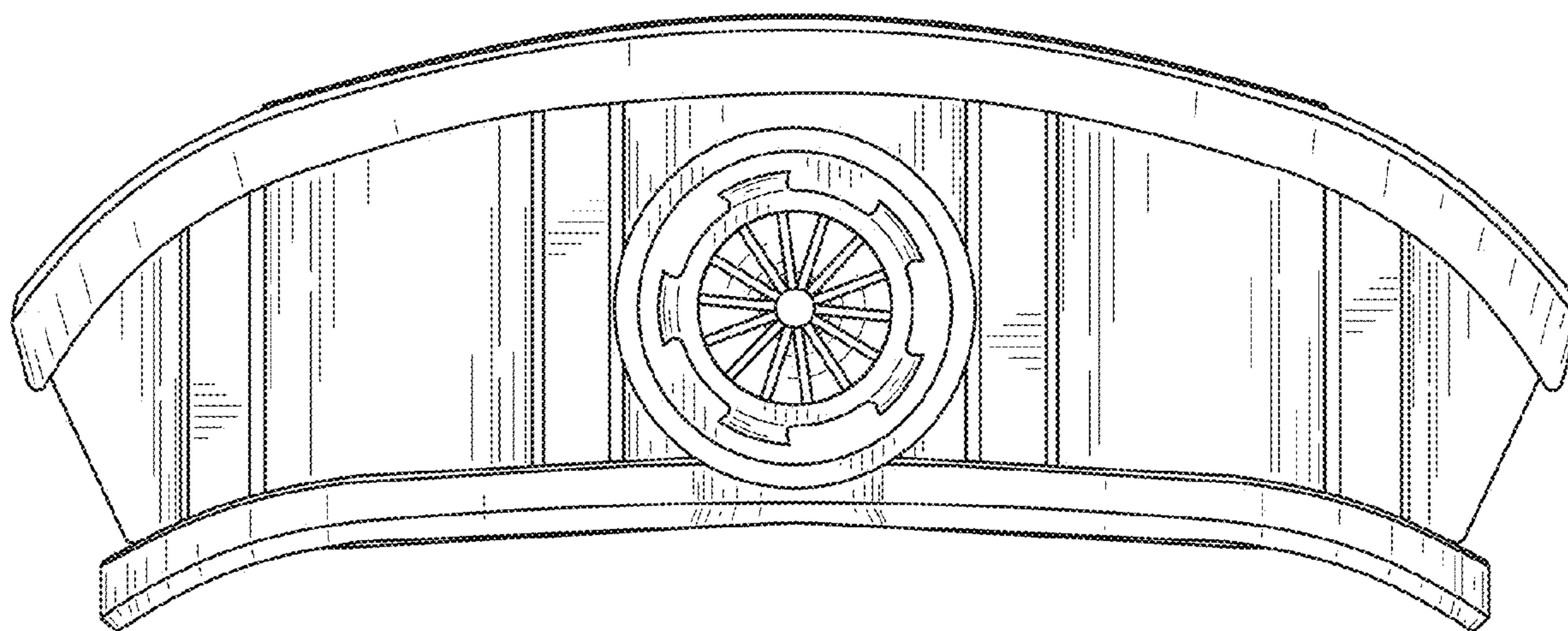


FIG. 8

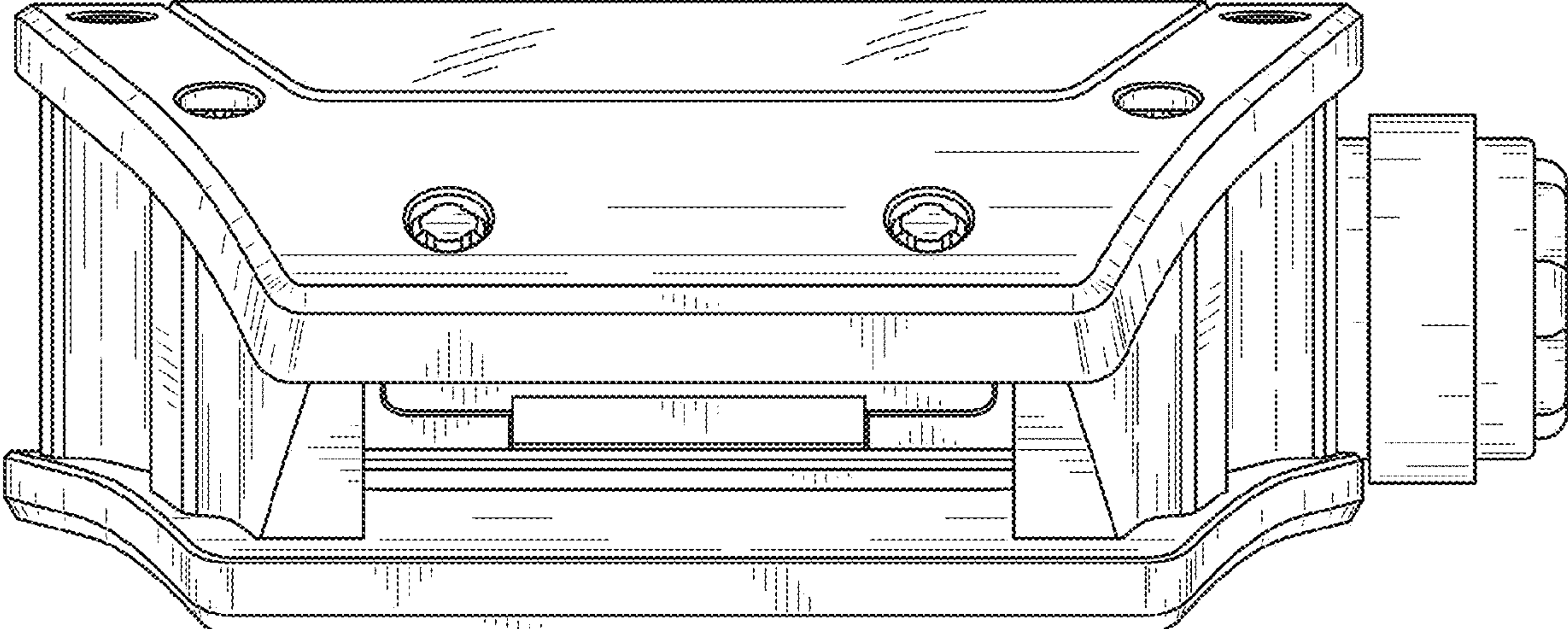


FIG. 9

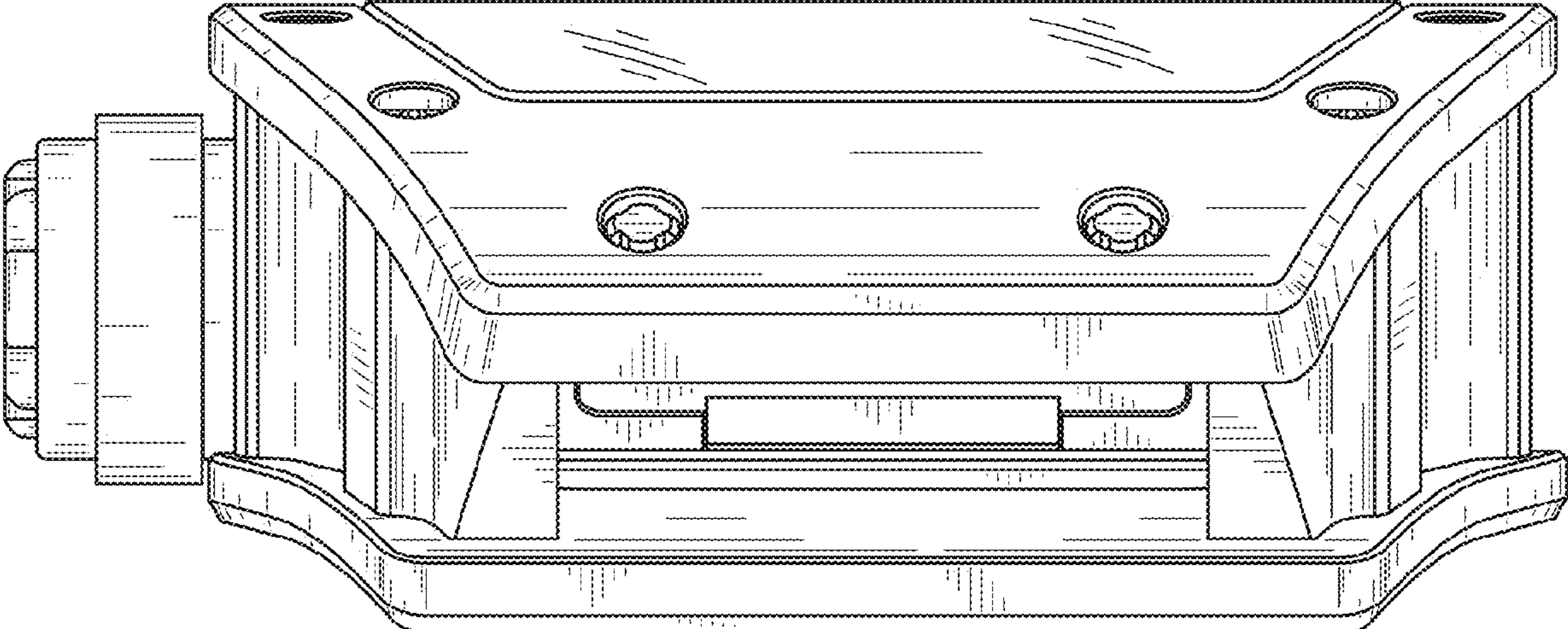


FIG. 10