



US00D915904S

(12) **United States Design Patent** (10) **Patent No.:** **US D915,904 S**  
**Duarte de Castro et al.** (45) **Date of Patent:** **\*\* \*Apr. 13, 2021**

(54) **DOUBLE MAILING CONTAINER WITH ROOT POCKETS**

(71) Applicant: **Living Herbs LLC.**, Thermal, CA (US)

(72) Inventors: **Tiago Dias Duarte de Castro**, Thermal, CA (US); **Suzette Overgaag**, Thermal, CA (US)

(\*) Notice: This patent is subject to a terminal disclaimer.

(\*\*) Term: **15 Years**

(21) Appl. No.: **29/688,562**

(22) Filed: **Apr. 23, 2019**

**Related U.S. Application Data**

(63) Continuation-in-part of application No. 29/666,704, filed on Oct. 15, 2018, now Pat. No. Des. 882,417.

(51) **LOC (13) Cl.** ..... **09-03**

(52) **U.S. Cl.**  
USPC ..... **D9/737**

(58) **Field of Classification Search**

USPC ..... D9/418, 420, 424-426, 737, 759, 761; D7/538, 539, 541, 555, 556, 571, 601, D7/702, 703, 628, 629; D3/201, 270, D3/271.1, 273, 294, 295, 302, 901, 903; 220/575, 500; 206/6.1, 822; 229/406, 229/407, 116.1, 116.2, 120.02  
CPC ..... B65D 43/169; B65D 45/00; B65D 1/36; B65D 2543/00194; B65D 2543/00296; B65D 2543/00555; B65D 2581/3425; B65D 25/04; B65D 43/0218; A47G 19/02; A47G 19/065; A47G 23/0608

See application file for complete search history.

(56) **References Cited**

U.S. PATENT DOCUMENTS

3,300,697 A \* 1/1967 Woodford ..... H02P 1/166 318/136  
3,314,194 A \* 4/1967 Halleck ..... A01G 9/02 47/69  
3,868,054 A 2/1975 Congleton  
4,075,786 A 2/1978 Van Zyl  
4,118,890 A 10/1978 Shore  
4,189,868 A 2/1980 Tymchuck et al.  
4,242,835 A 1/1981 Mondragon Sorribes  
4,375,262 A \* 3/1983 Hrenyo ..... B65D 75/22 206/418  
5,001,860 A 3/1991 Rudnick  
5,224,598 A 7/1993 Angeles et al.  
D342,896 S \* 1/1994 Gottofredi ..... D9/425  
D345,911 S \* 4/1994 Elbaz ..... D9/425  
D357,627 S 4/1995 Angeles et al.

(Continued)

FOREIGN PATENT DOCUMENTS

GB 2210764 6/1989  
GB 2513309 10/2014

(Continued)

*Primary Examiner* — W. A. Teddy Falloway

(74) *Attorney, Agent, or Firm* — Kirk A. Buhler; Buhler & Associates Patenting

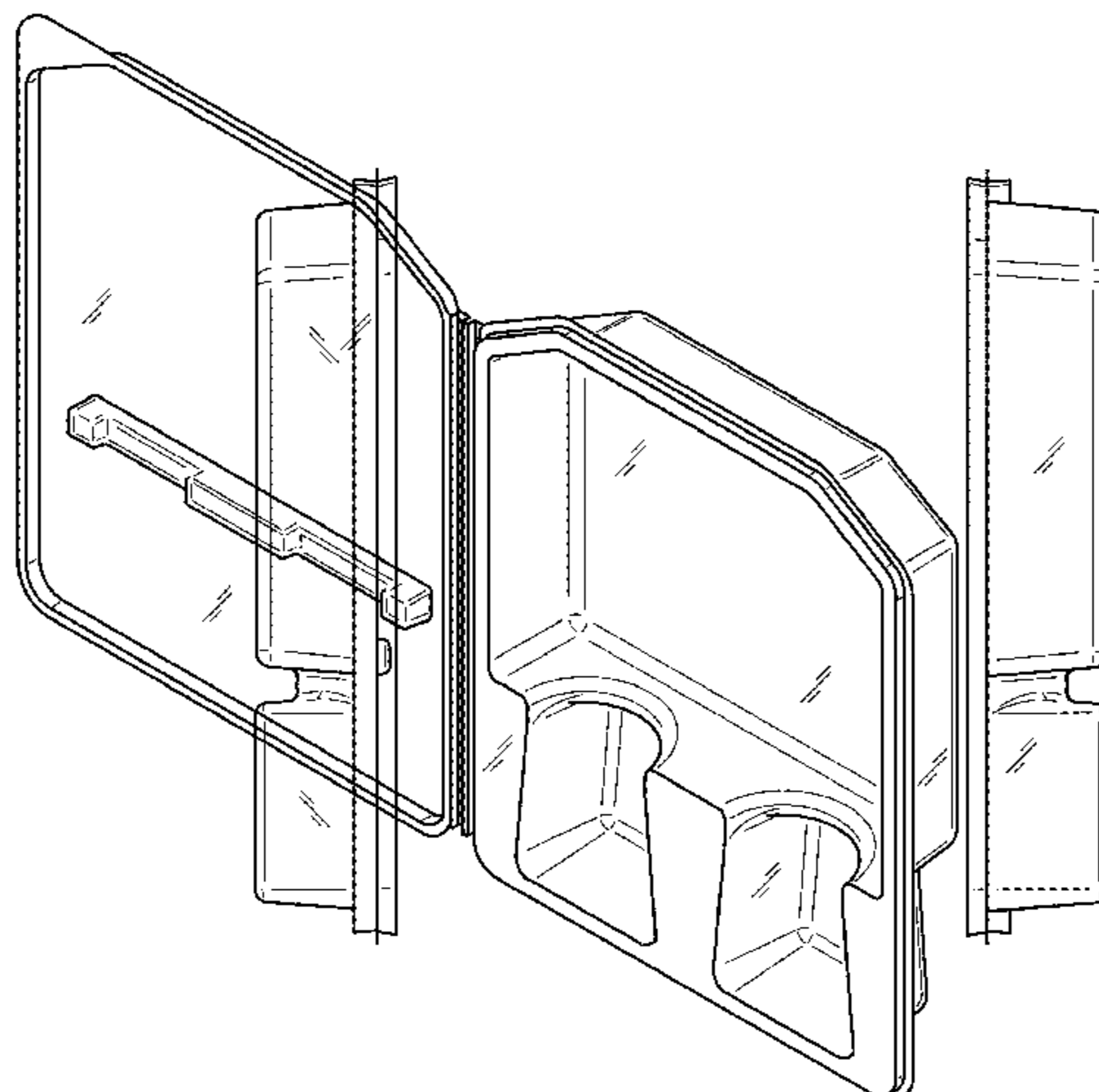
(57) **CLAIM**

The ornamental design for a double mailing container with root pockets, as shown and described.

**DESCRIPTION**

FIG. 1 is a front top perspective view of a double mailing container with root pockets showing our new design; FIG. 2 is a front elevation view thereof; FIG. 3 is a rear elevation view thereof; FIG. 4 is a left side elevation view thereof; FIG. 5 is a right side elevation view thereof; FIG. 6 is a top plan view thereof; and, FIG. 7 is a bottom view thereof.

**1 Claim, 5 Drawing Sheets**



(56)

**References Cited**

U.S. PATENT DOCUMENTS

D368,030 S \* 3/1996 Elbaz ..... D9/425  
 5,613,605 A 3/1997 Angeles et al.  
 D387,665 S \* 12/1997 Eichhorn ..... D9/424  
 D398,844 S \* 9/1998 Oberloier ..... D9/415  
 D454,493 S \* 3/2002 Chung ..... D3/263  
 D474,020 S \* 5/2003 Wang ..... D3/274  
 D504,065 S \* 4/2005 Belser ..... D9/423  
 D538,639 S \* 3/2007 Dunshee ..... D9/420  
 D596,935 S \* 7/2009 Golota ..... D9/420  
 D627,221 S \* 11/2010 Kovatch ..... D9/429  
 D646,963 S \* 10/2011 Kalil ..... D9/415  
 D665,254 S \* 8/2012 Miller ..... D9/424  
 D777,570 S \* 1/2017 Toledo ..... D9/425  
 D785,451 S \* 5/2017 Biery ..... D9/425  
 D788,926 S \* 6/2017 Parlante ..... D24/176  
 9,771,188 B2 \* 9/2017 Glassman ..... B65D 45/00  
 D814,316 S 4/2018 Overgaag  
 D825,351 S \* 8/2018 Buck ..... D9/761  
 D882,415 S \* 4/2020 Duarte de Castro ..... D9/737  
 D882,416 S \* 4/2020 Duarte de Castro ..... D9/737  
 D882,417 S \* 4/2020 Duarte de Castro ..... D9/737  
 2017/0057720 A1 \* 3/2017 Biery ..... B65D 75/36  
 2018/0064045 A1 3/2018 Overgaag

FOREIGN PATENT DOCUMENTS

JP 2016513450 5/2016  
 WO 2012050276 3/2013

\* cited by examiner

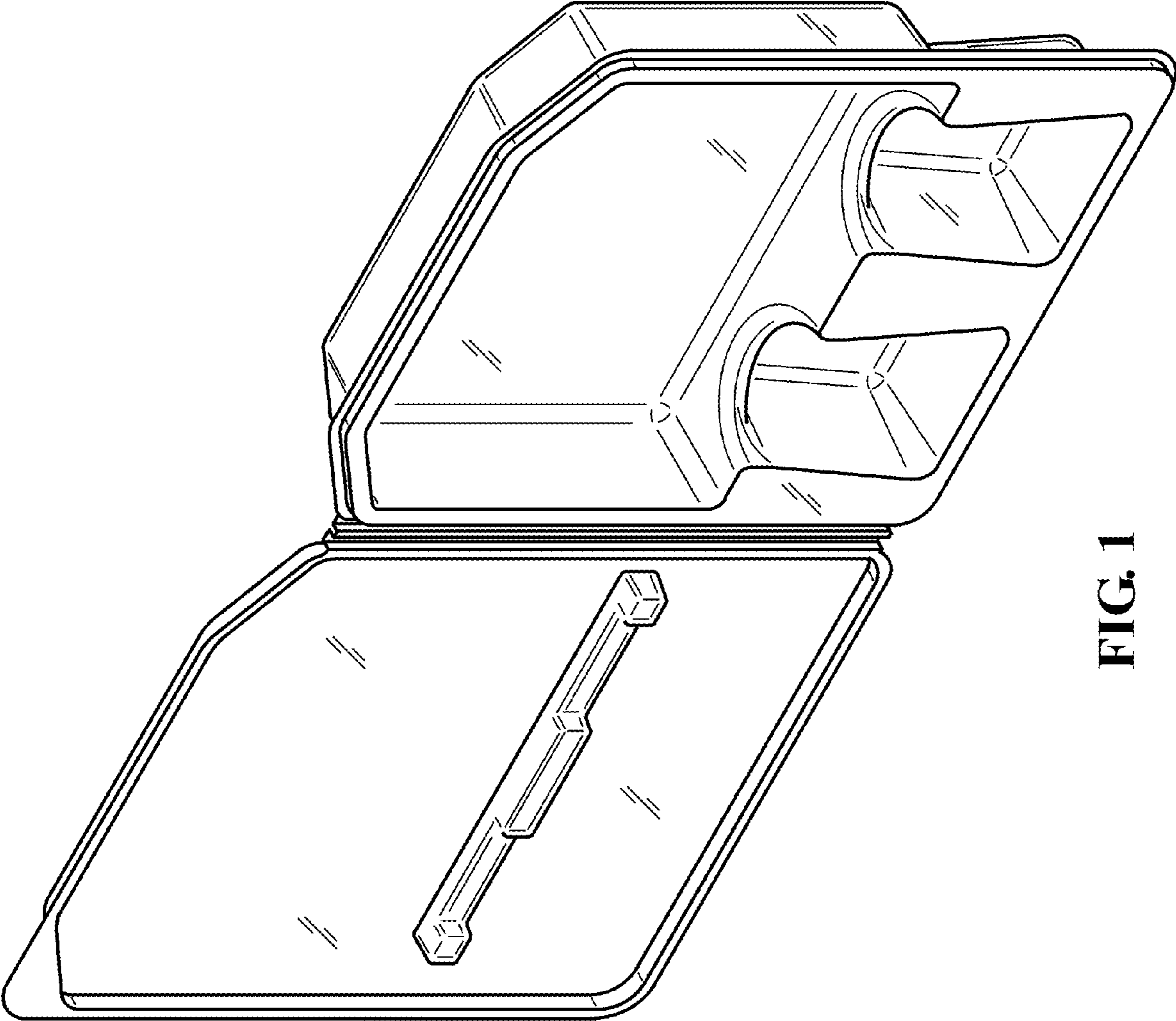


FIG. 1

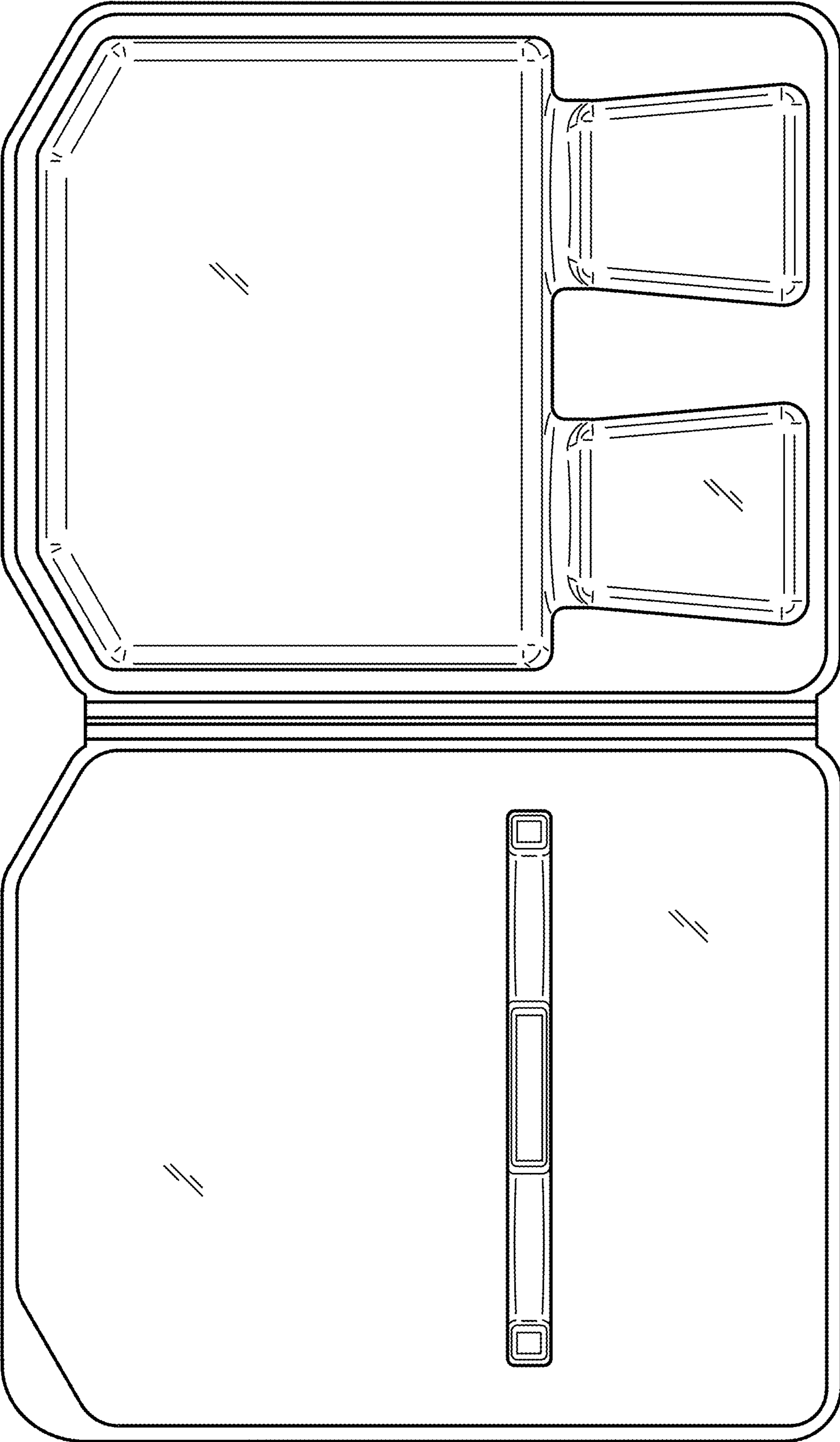


FIG. 2

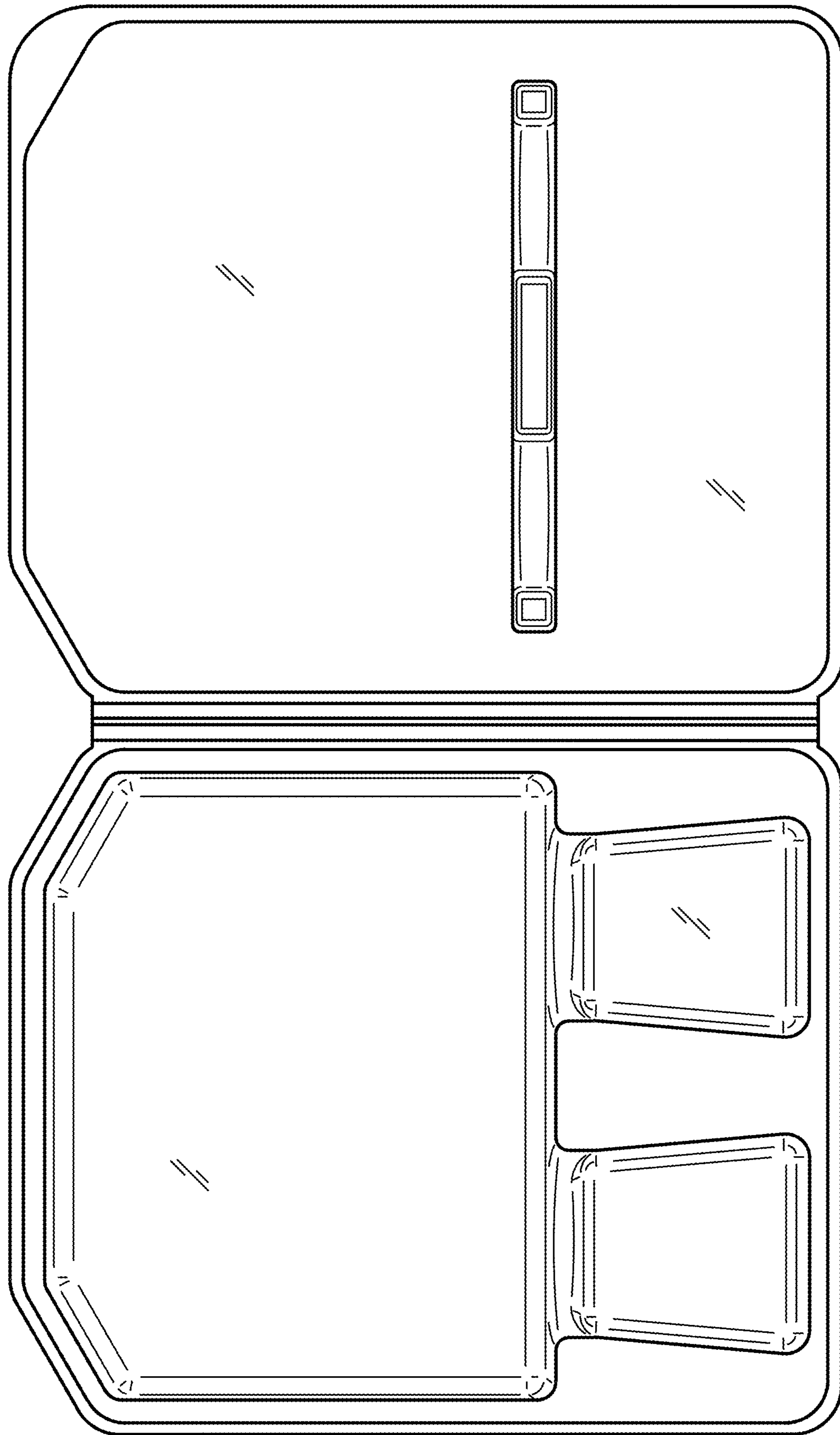
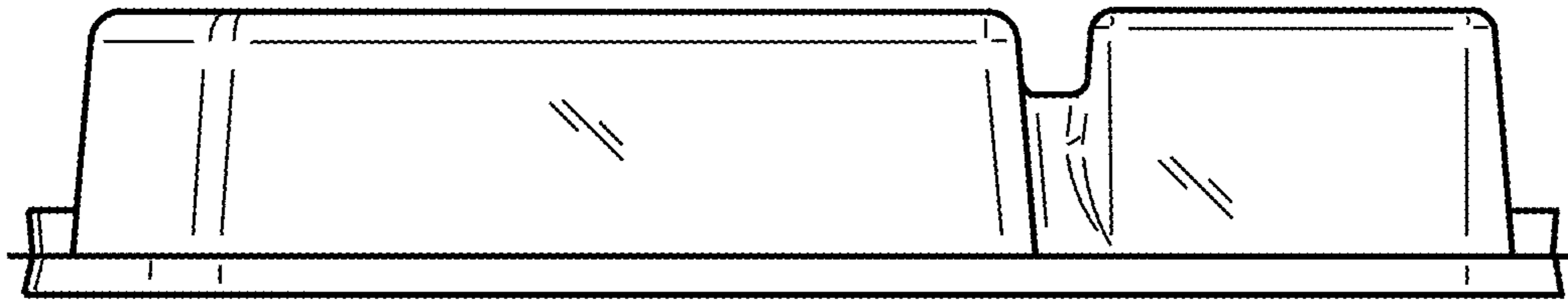
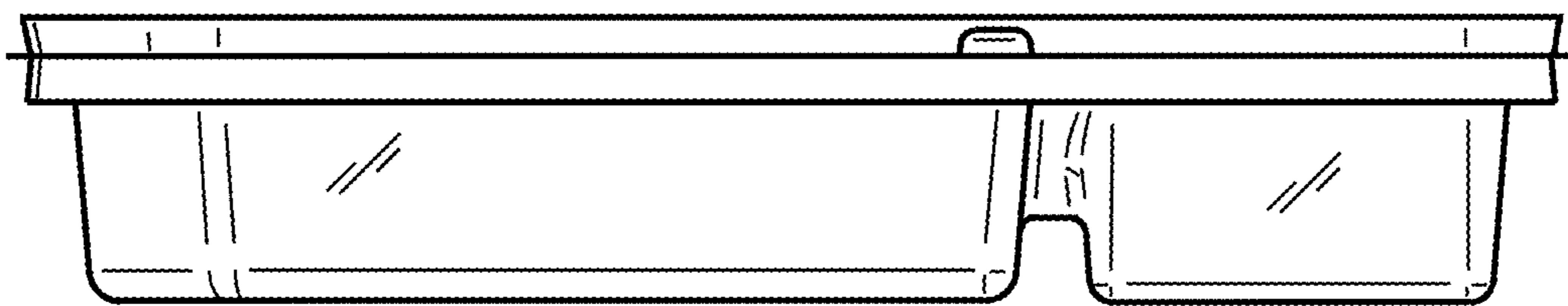


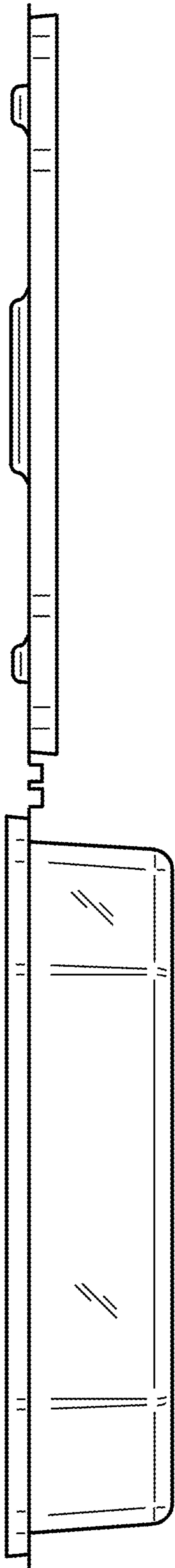
FIG. 3



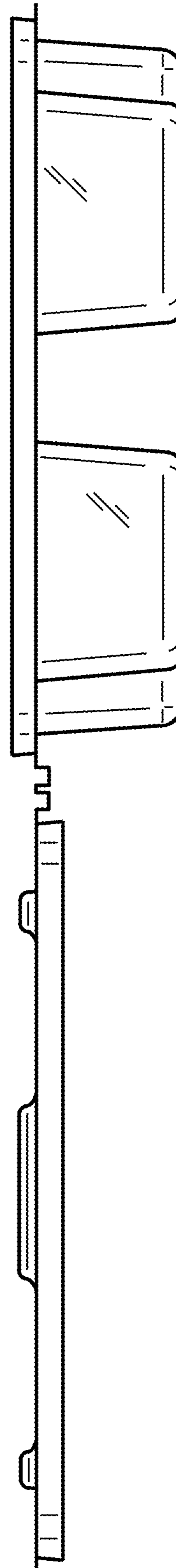
**FIG. 5**



**FIG. 4**



**FIG. 6**



**FIG. 7**