



US00D915903S

(12) **United States Design Patent** (10) **Patent No.:** **US D915,903 S**
Gonzalez et al. (45) **Date of Patent:** **** Apr. 13, 2021**

(54) **CARTON** 3,881,632 A * 5/1975 Early B65D 83/0811
 221/50
 (71) Applicant: **The Procter & Gamble Company,** 6,439,386 B1 * 8/2002 Sauer B65D 5/4208
 Cincinnati, OH (US) 206/494
 7,040,502 B2 * 5/2006 Phelps A47K 10/421
 221/34
 (72) Inventors: **Paula Marie Gonzalez,** Cincinnati, OH D847,660 S * 5/2019 Schumaker D9/734
 (US); **Gemma Miragall Caselles,** 2005/0077309 A1 * 4/2005 Mitchell B65D 5/4208
 Rotterdam (NL) 221/45
 2007/0152028 A1 * 7/2007 McGowan B65D 5/725
 229/122.1
 (73) Assignee: **The Procter & Gamble Company,** 2008/0223867 A1 * 9/2008 Carr A47K 10/421
 Cincinnati, OH (US) 221/34
 2013/0228589 A1 * 9/2013 Nickerson A47K 10/46
 221/102

(**) Term: **15 Years**

(21) Appl. No.: **29/717,059**

(22) Filed: **Dec. 13, 2019**

(51) **LOC (13) Cl.** **09-01**

(52) **U.S. Cl.**
USPC **D9/734**

(58) **Field of Classification Search**
 USPC D9/414, 416, 432, 433, 730, 734;
 D6/515, 518, 519, 521, 522, 523;
 D7/601, 602, 631
 CPC B65D 85/00; B65D 81/00; B65D 81/22;
 B65D 83/0805; A47K 2010/3266; A47K
 10/42; A47K 10/426; G07F 11/00
 See application file for complete search history.

(56) **References Cited**

U.S. PATENT DOCUMENTS

809,330 A * 1/1906 Sim B65D 83/0805
 221/63
 3,403,815 A * 10/1968 Robson B65D 83/0805
 221/34

* cited by examiner

Primary Examiner — Lauren R Calve

(74) *Attorney, Agent, or Firm* — Gary J. Foose

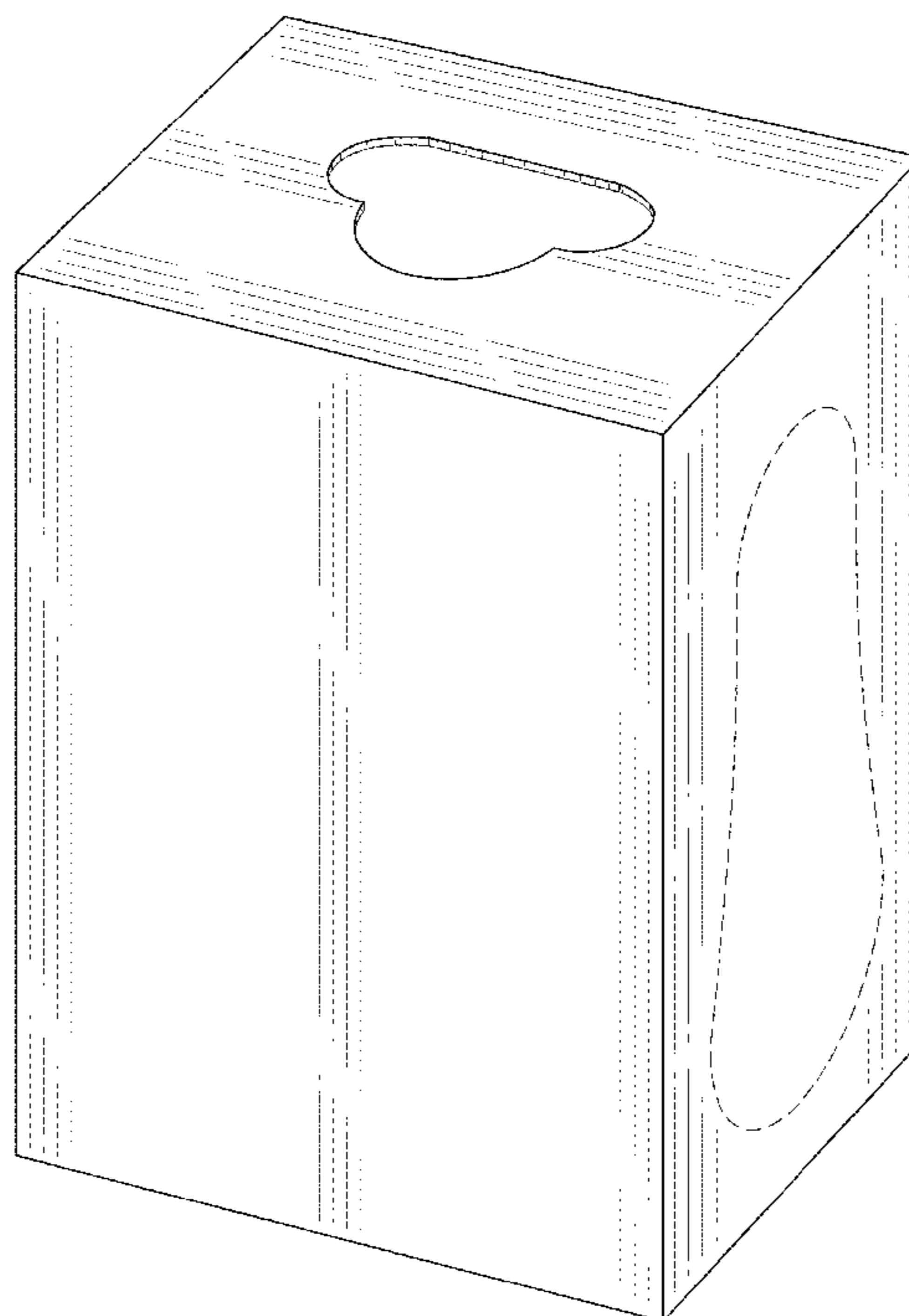
(57) **CLAIM**

The ornamental design for a carton, as shown and described.

DESCRIPTION

FIG. 1 is a perspective view of a carton;
 FIG. 2 is a top view of the carton of FIG. 1;
 FIG. 3 is a front view of the carton of FIG. 1;
 FIG. 4 is a bottom view of the carton of FIG. 1, opposite the
 top view of FIG. 2;
 FIG. 5 is a rear view of the carton of FIG. 1, opposite the
 front view of FIG. 3;
 FIG. 6 is a side view of the carton of FIG. 1; and,
 FIG. 7 is a side view of the carton of FIG. 1 opposite the side
 view of FIG. 6.
 The dashed broken lines represent unclaimed structure or
 features that form no part of the claimed design.

1 Claim, 4 Drawing Sheets



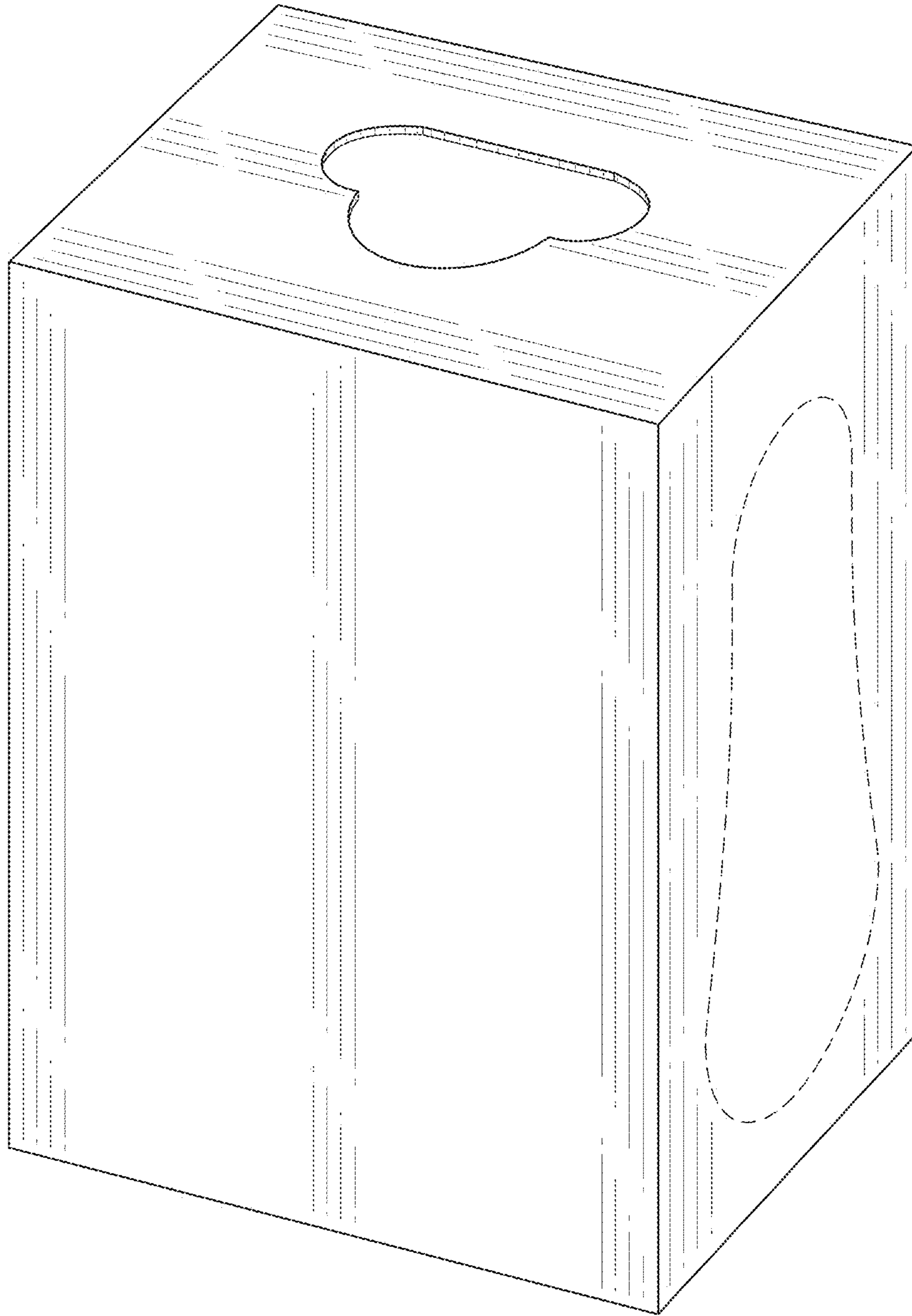


FIG. 1

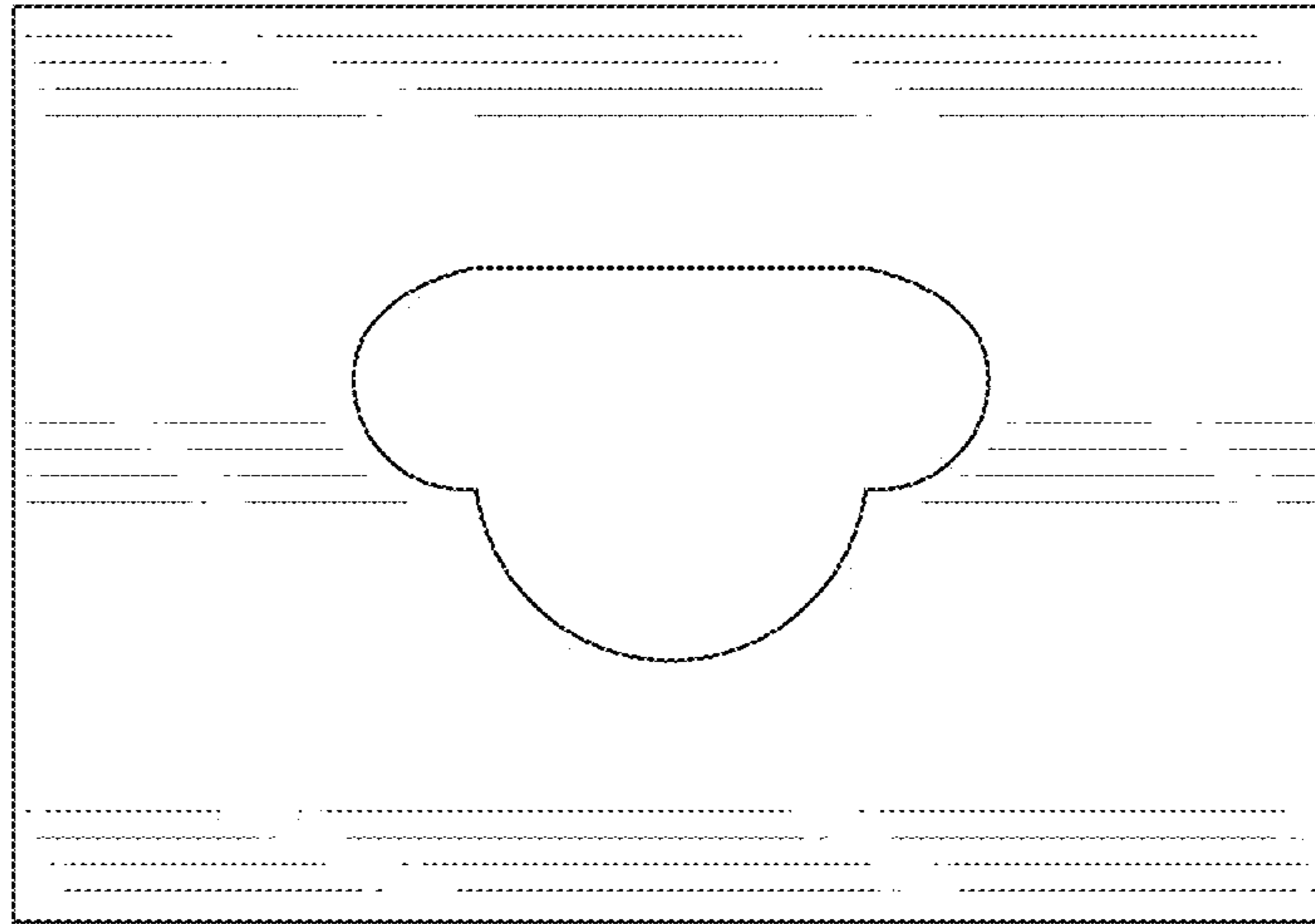


FIG. 2

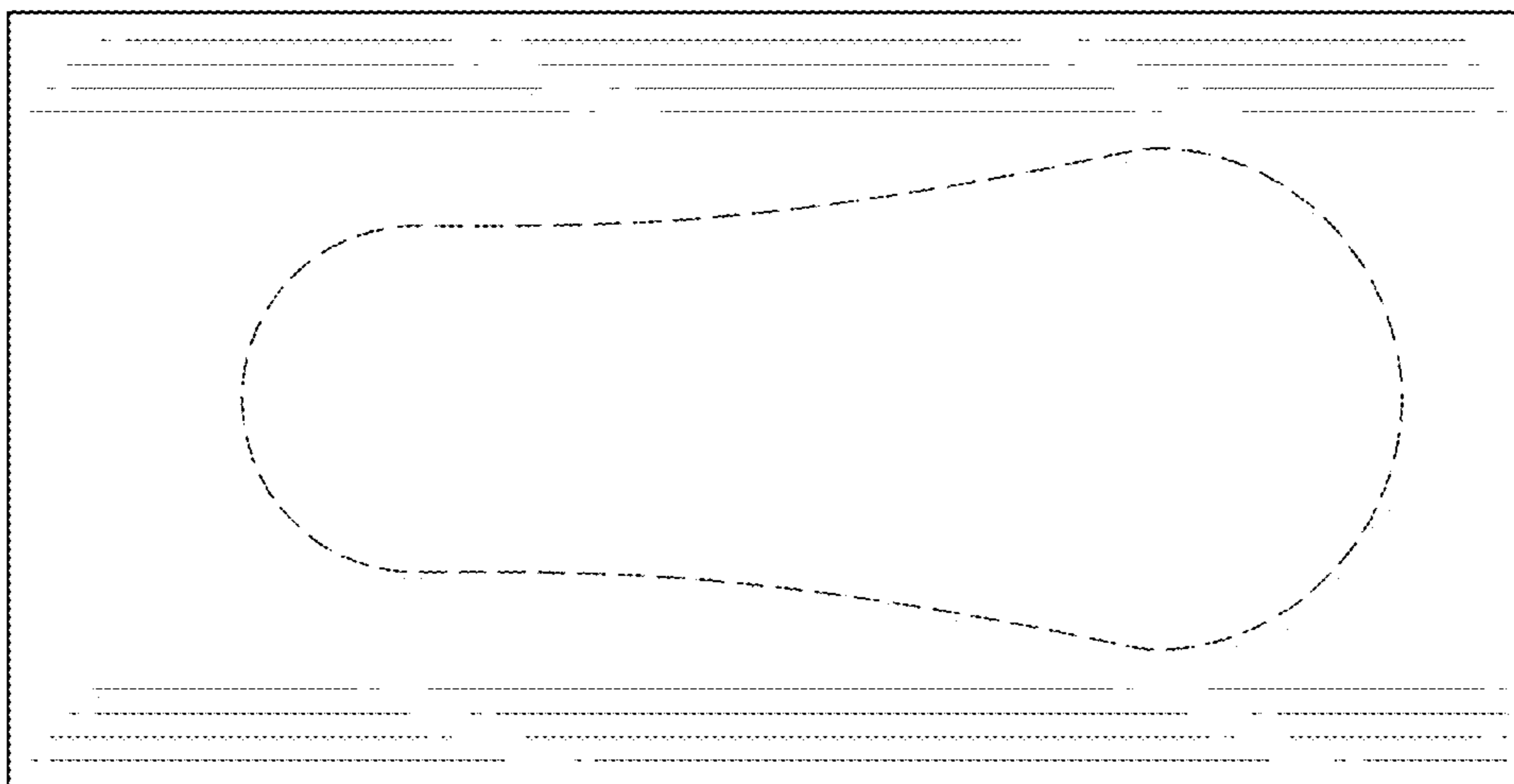


FIG. 3

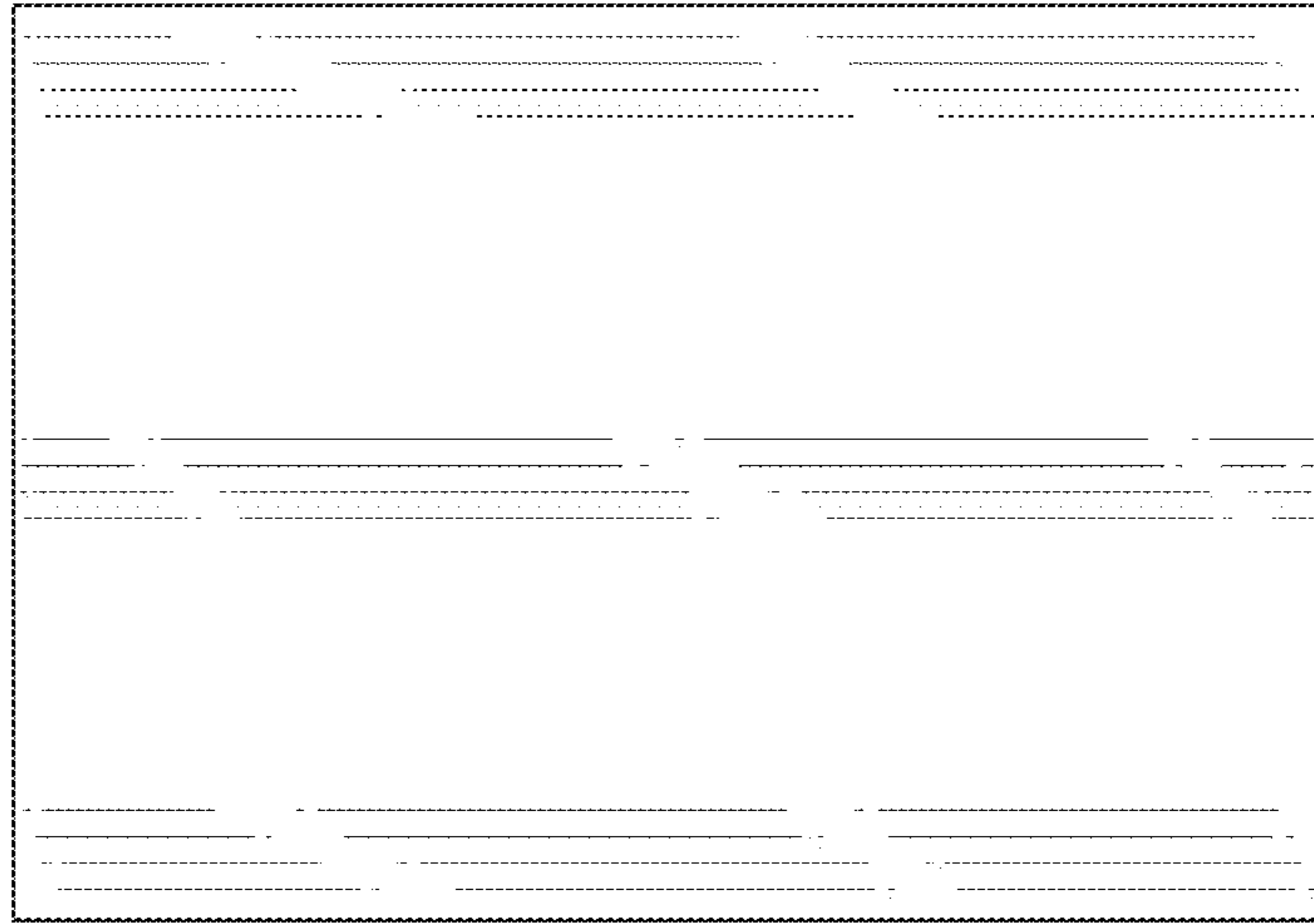


FIG. 4

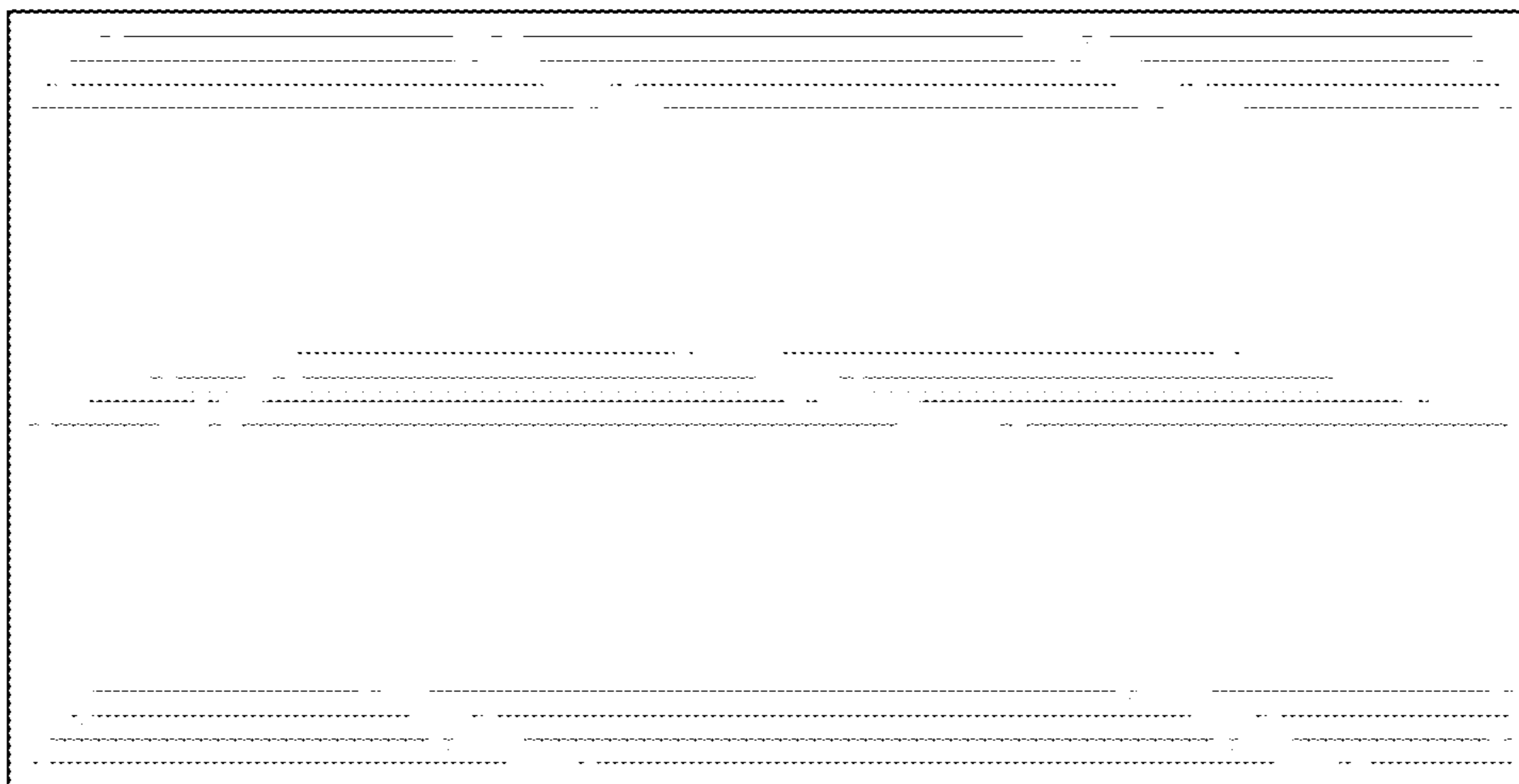


FIG. 5

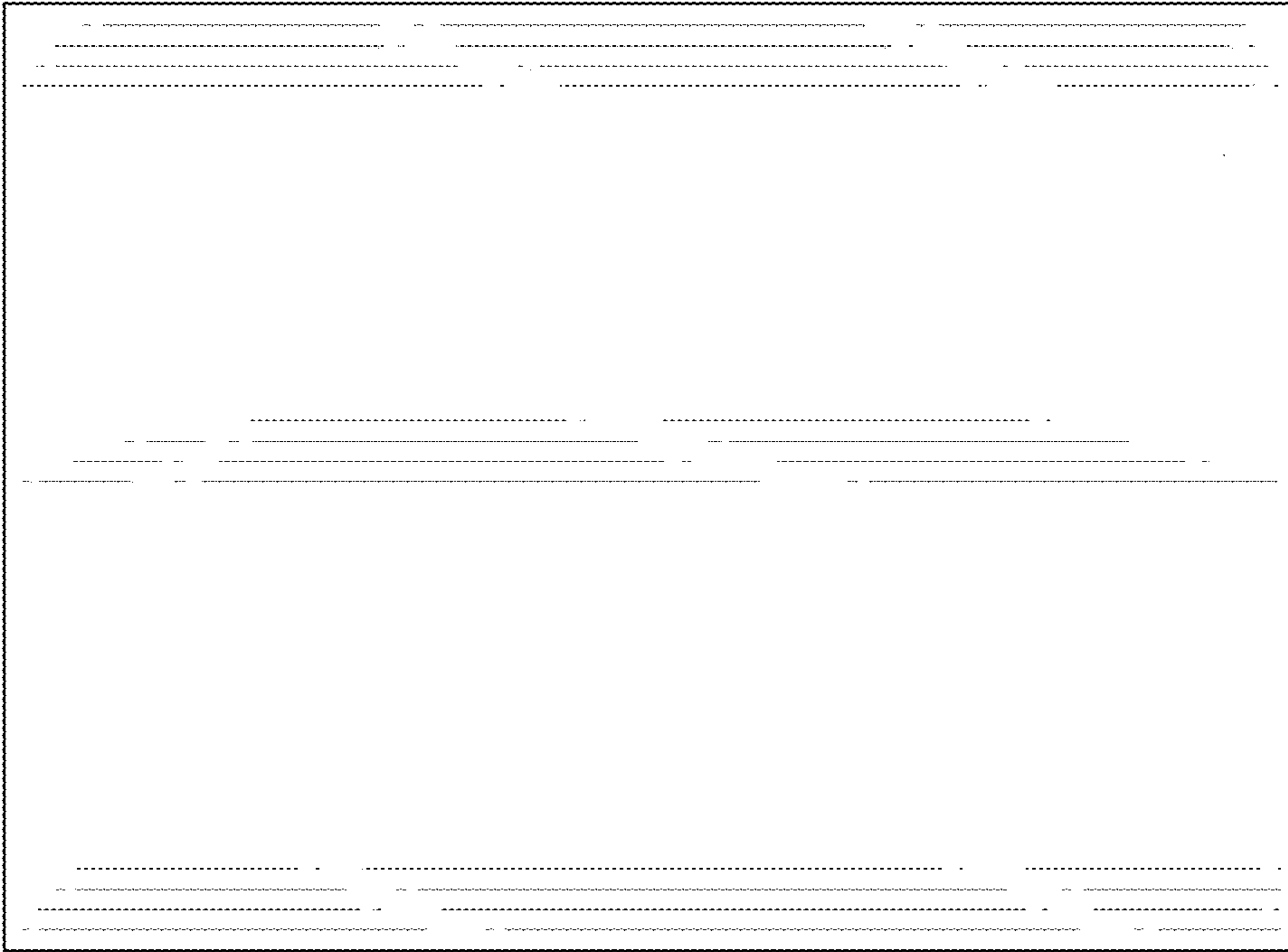


FIG. 7



FIG. 6